



US00D722642S

(12) **United States Design Patent**
Wada et al.

(10) **Patent No.:** **US D722,642 S**
(45) **Date of Patent:** **** Feb. 17, 2015**

- (54) **INK BOTTLE FOR INKJET PRINTER**
- (71) Applicant: **Keyence Corporation**, Osaka (JP)
- (72) Inventors: **Hiroki Wada**, Osaka (JP); **Junji Ogawa**, Osaka (JP)
- (73) Assignee: **Keyence Corporation**, Osaka (JP)
- (**) Term: **14 Years**
- (21) Appl. No.: **29/476,395**
- (22) Filed: **Dec. 13, 2013**
- (51) **LOC (10) Cl.** **18-02**
- (52) **U.S. Cl.**
USPC **D18/56**
- (58) **Field of Classification Search**
USPC D18/43; D9/435-436, 440, 447, 516,
D9/530, 542, 566, 723-724; 222/215
See application file for complete search history.

D566,547	S	*	4/2008	Lacov	D9/435
D572,751	S	*	7/2008	Morino	D18/56
D591,336	S	*	4/2009	Kurenuma et al.	D18/43
7,577,379	B2	*	8/2009	Kita et al.	399/120
D600,743	S	*	9/2009	Yoshizawa	D18/43
D602,519	S	*	10/2009	Kurenuma et al.	D18/43
D602,984	S	*	10/2009	Yoshizawa	D18/43
D617,376	S		6/2010	Lecheheb et al.		
7,826,777	B2	*	11/2010	Taguchi et al.	399/258
D636,436	S	*	4/2011	Takami	D18/43
D636,813	S	*	4/2011	Kikuchi et al.	D18/43
D653,702	S	*	2/2012	Amberg et al.	D18/43
D655,748	S	*	3/2012	Takami	D18/43
D667,047	S	*	9/2012	Oshikawa et al.	D18/43
8,353,583	B2	*	1/2013	Kimura	347/86
2006/0099012	A1	*	5/2006	Kita et al.	399/262

* cited by examiner

Primary Examiner — Cathy A MacCormac
(74) *Attorney, Agent, or Firm* — Kilyk & Bowersox, P.L.L.C.

(57) **CLAIM**
The ornamental design for ink bottle for inkjet printer or portions thereof, as shown and described.

(56) **References Cited**

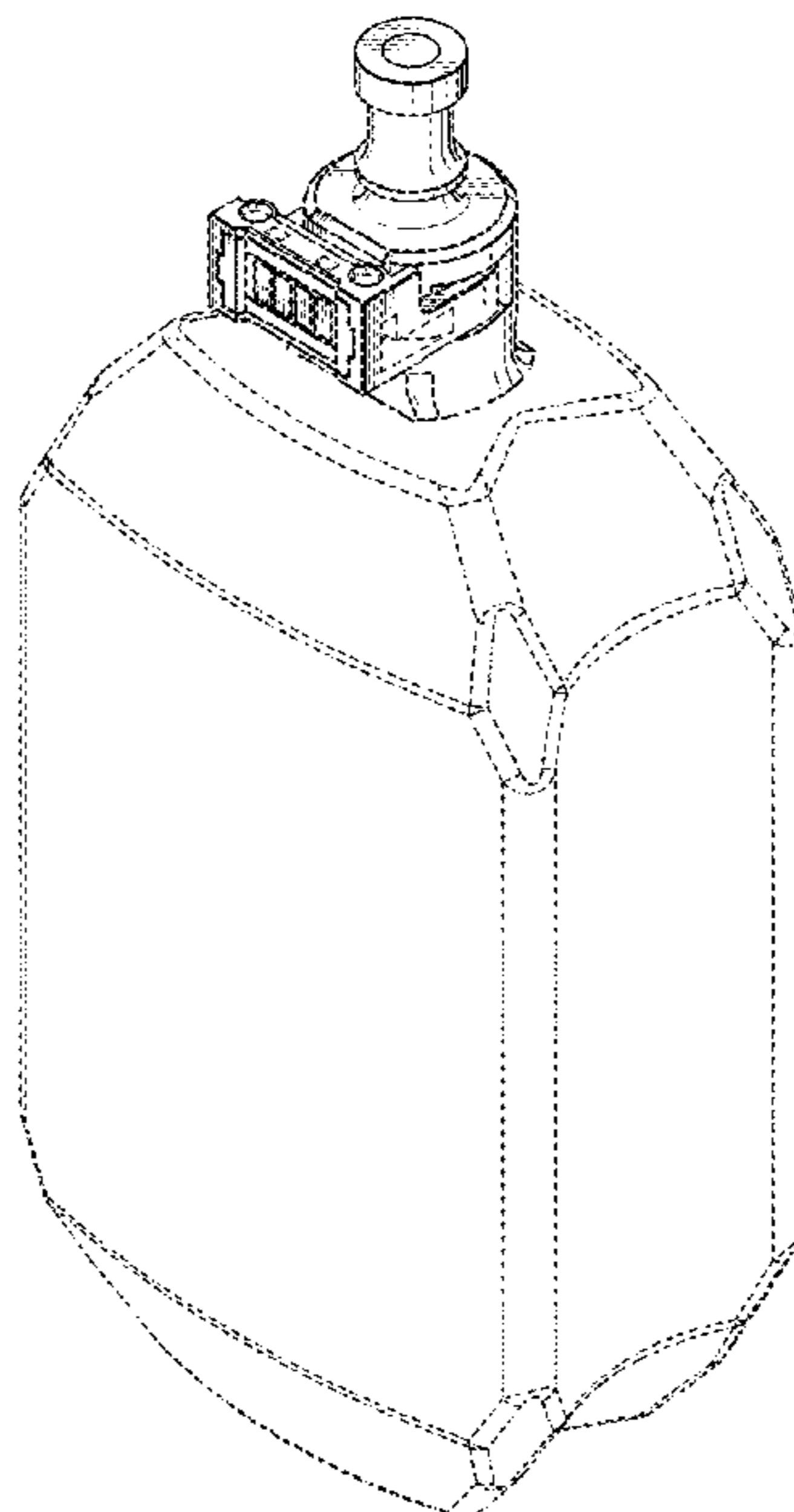
U.S. PATENT DOCUMENTS

3,727,803	A	*	4/1973	Cobb	222/215
D358,295	S	*	5/1995	Moench	D9/447
D447,561	S	*	9/2001	Rudzena et al.	D9/516
D448,077	S	*	9/2001	Rudzena et al.	D9/516
D449,532	S	*	10/2001	Modjeski	D9/500
D451,542	S	*	12/2001	Ishizawa et al.	D18/56
D482,390	S	*	11/2003	Ueno et al.	D18/56
D484,530	S	*	12/2003	Sugata et al.	D18/40
D490,315	S	*	5/2004	Kiser	D9/436
6,843,558	B2	*	1/2005	Seino	347/86
6,848,775	B2	*	2/2005	Ishizawa et al.	347/86
6,913,168	B2	*	7/2005	Lawson et al.	347/86
D509,242	S	*	9/2005	Muranaka	D18/56
D541,847	S	*	5/2007	Katsuyama	D18/43
D546,876	S	*	7/2007	Muranaka	D18/56
D551,289	S	*	9/2007	Otsuka et al.	D18/56

DESCRIPTION

FIG. 1 is a perspective view as viewed from front and top direction thereof of a neck part with ROM chip of an ink bottle showing our new design;
FIG. 2 is a front view of FIG. 1;
FIG. 3 is a rear view of FIG. 1;
FIG. 4 is a top view of FIG. 1;
FIG. 5 is a bottom view of FIG. 1;
FIG. 6 is a right side view of FIG. 1; and,
FIG. 7 is a left side view of FIG. 1.
The broken lines are for purposes of illustration only and form no part of the claimed design.

1 Claim, 7 Drawing Sheets



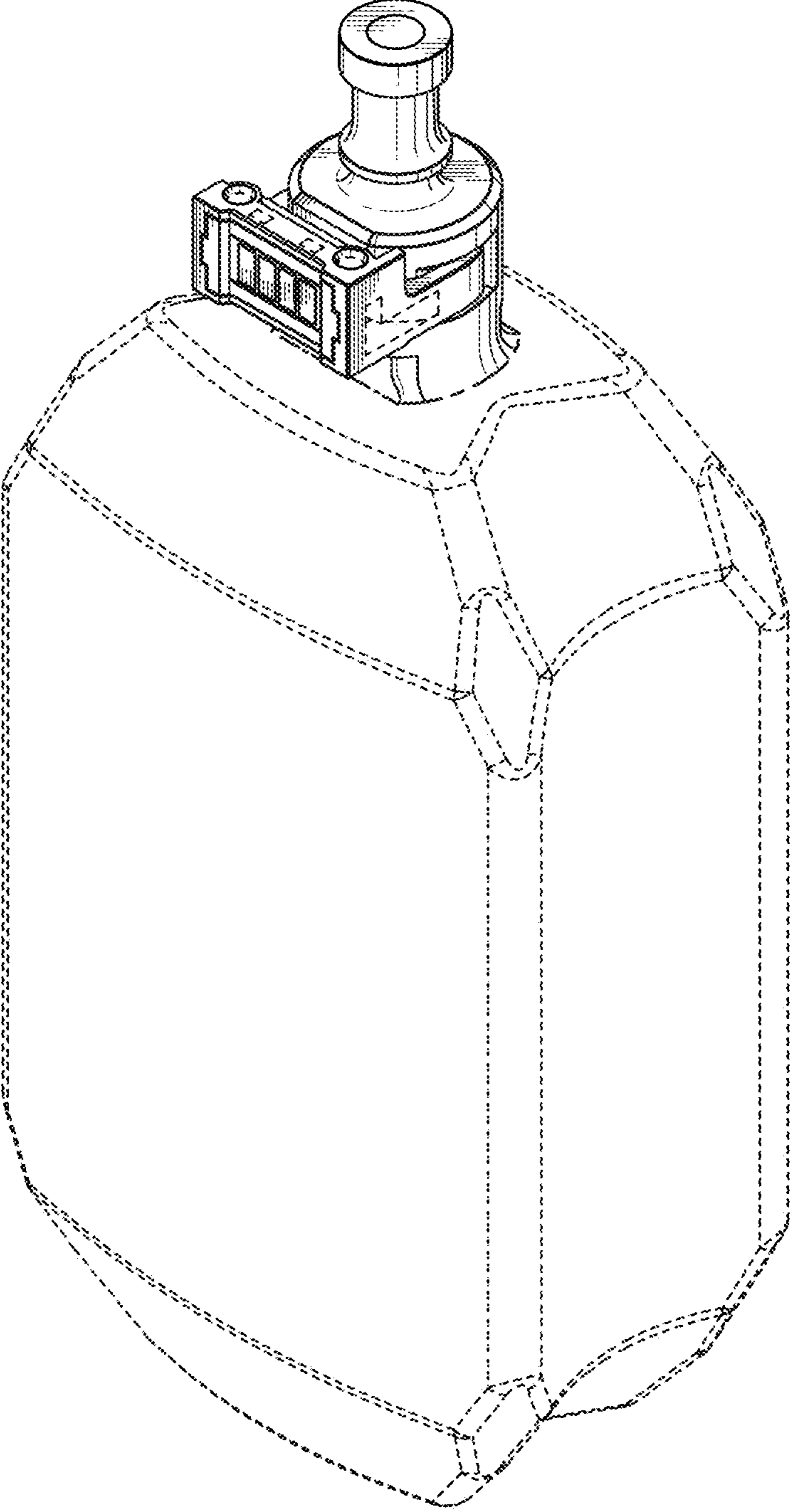


FIG. 1

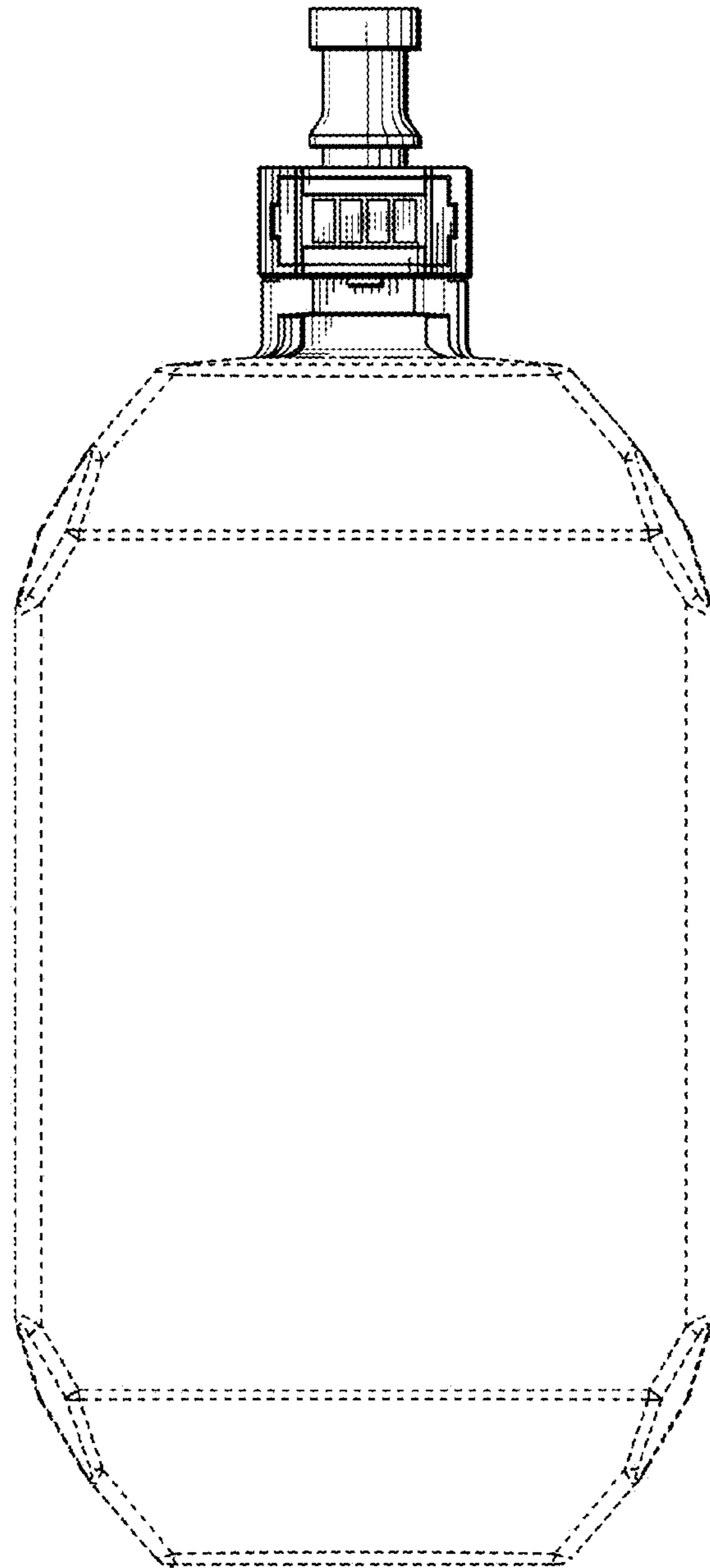


FIG. 2

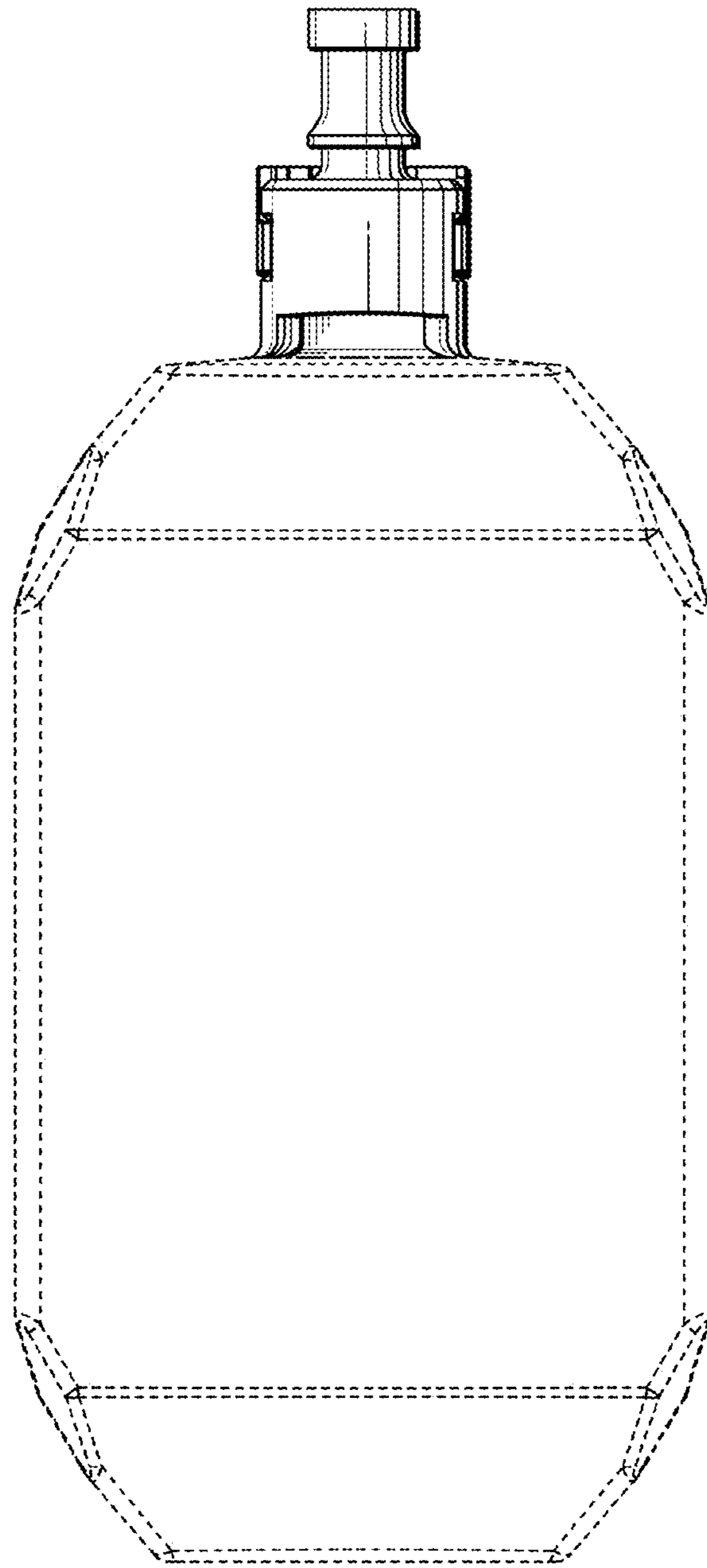


FIG. 3

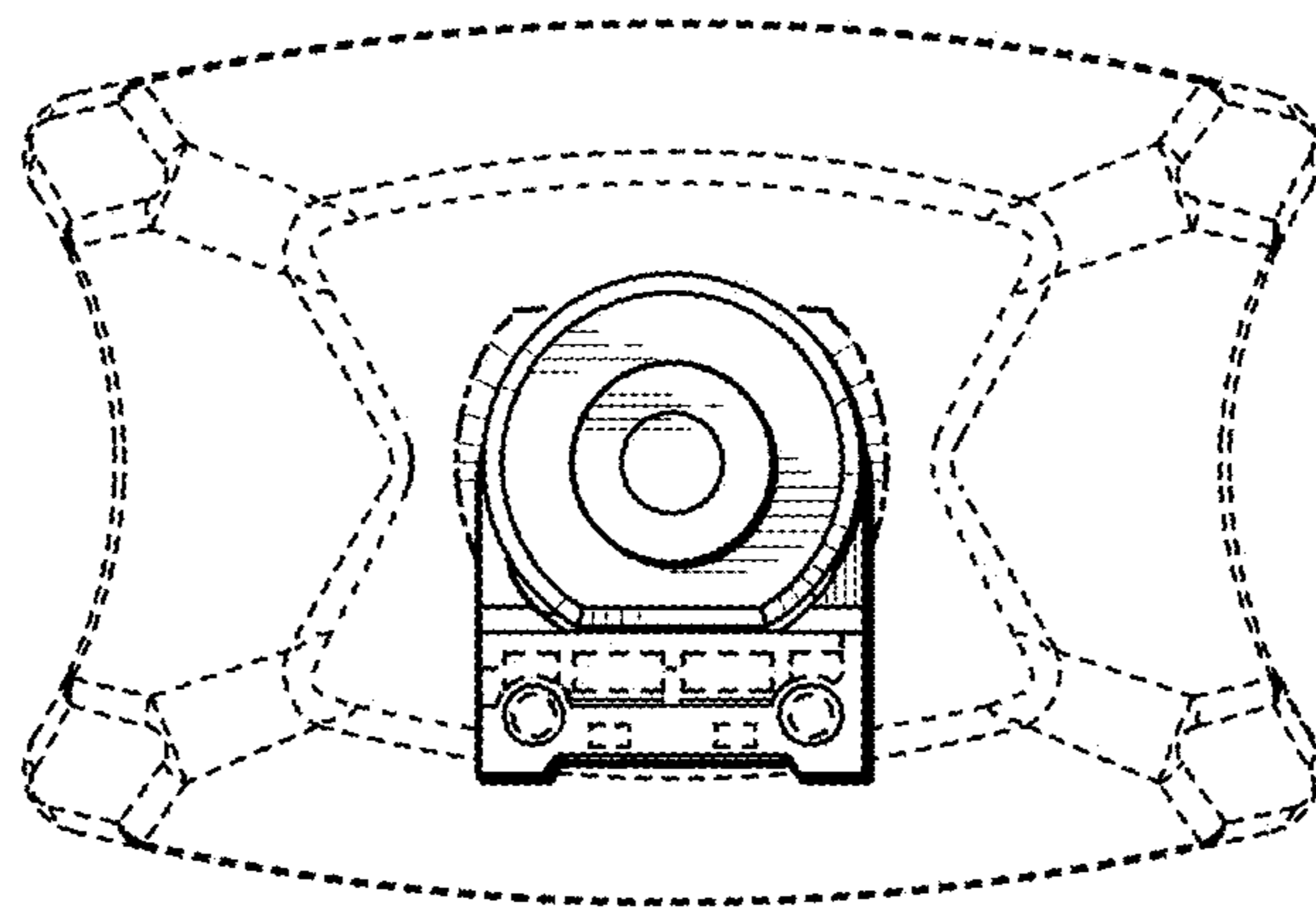


FIG. 4

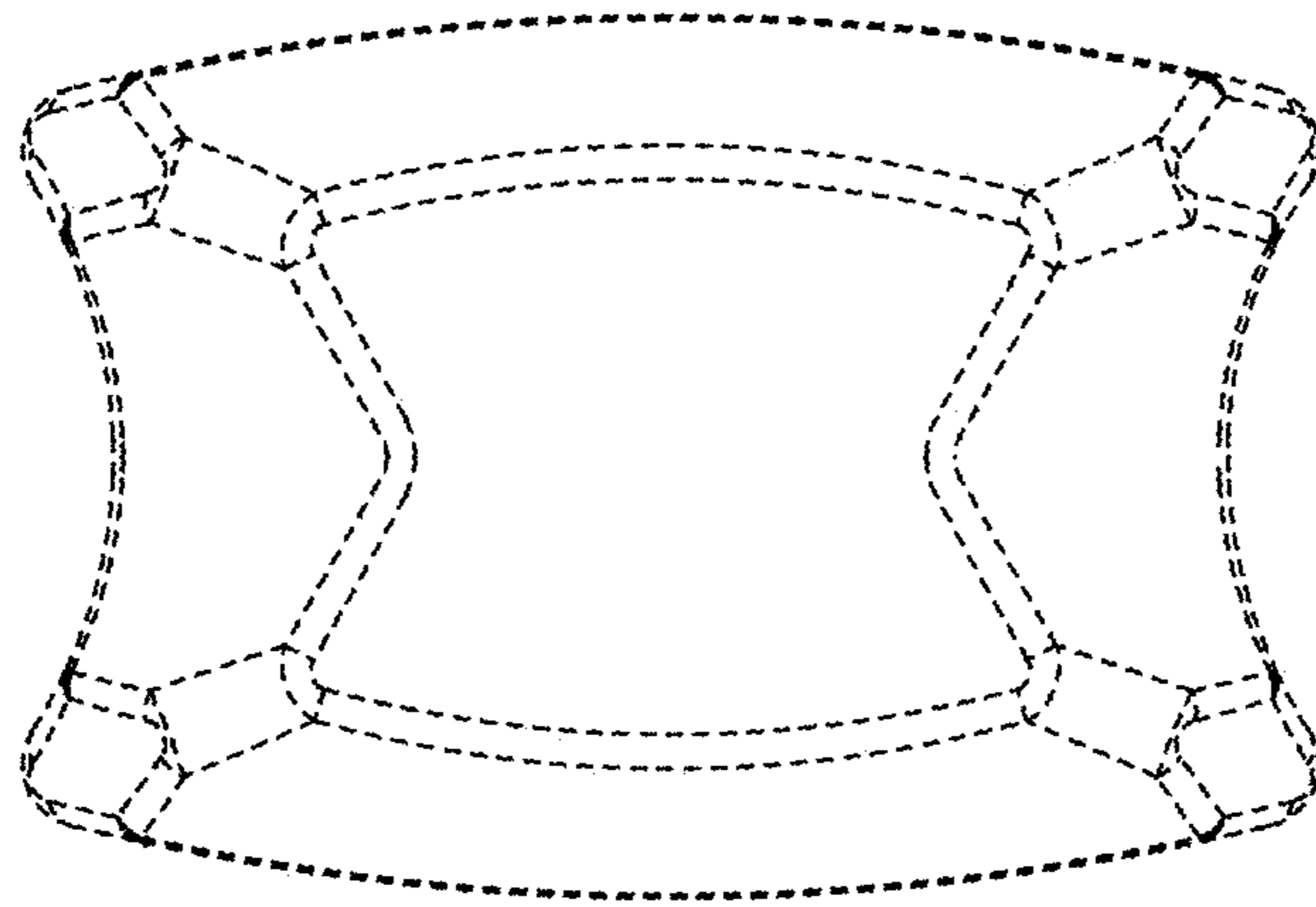


FIG. 5

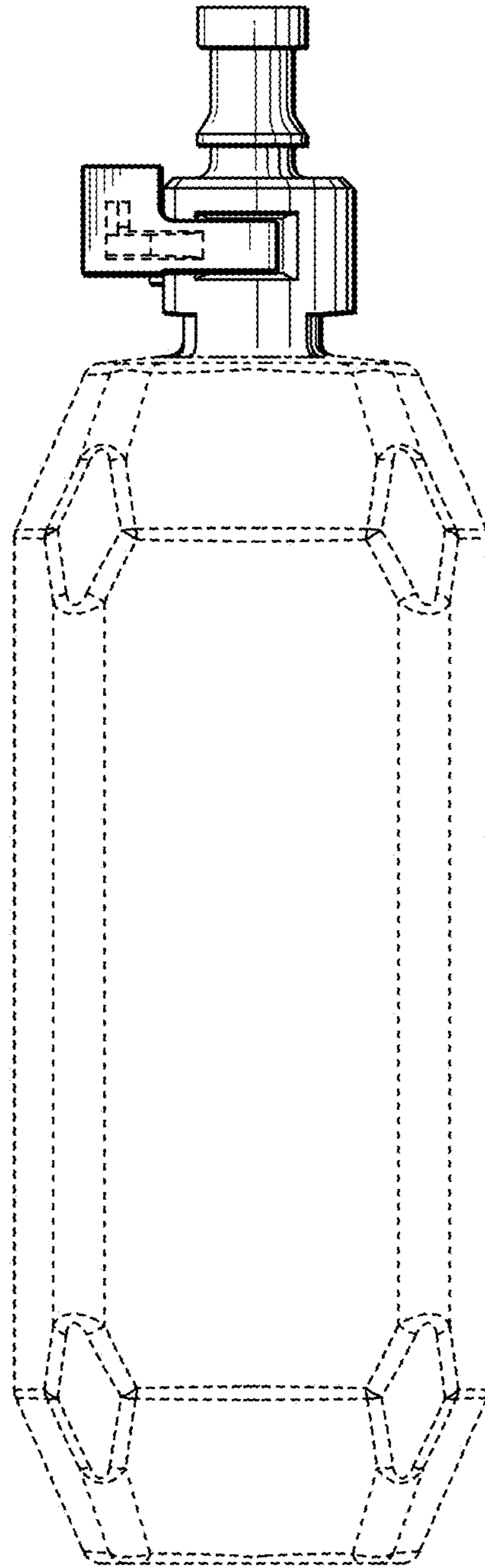


FIG. 6

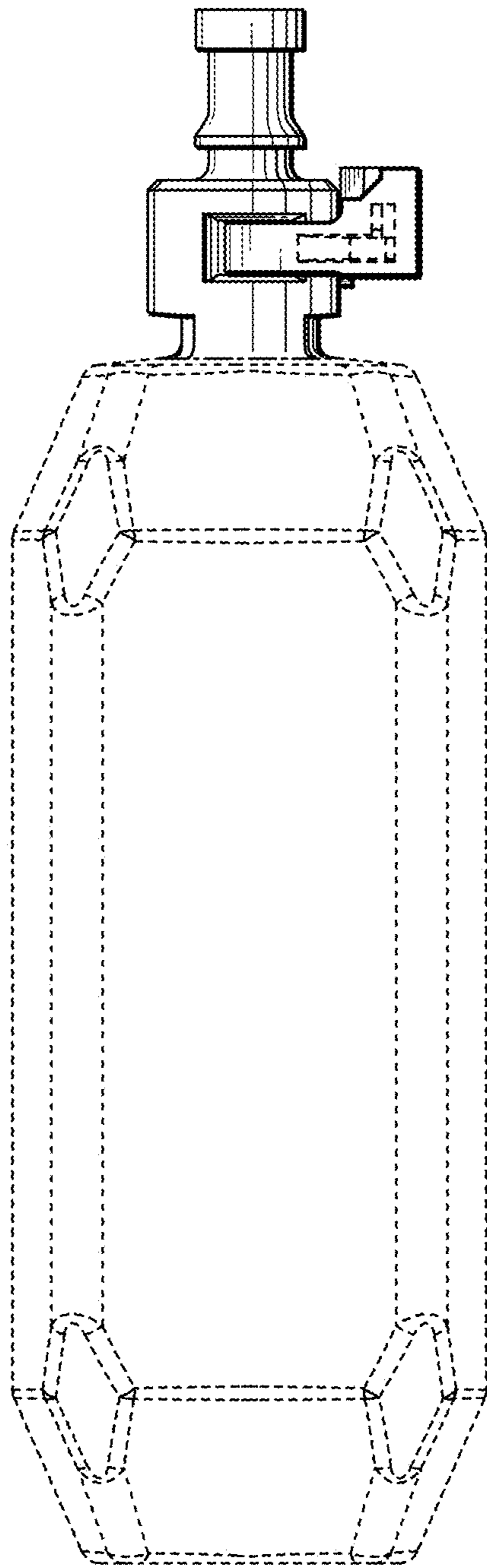


FIG. 7