



US00D722641S

(12) **United States Design Patent**
Massaro, Jr.

(10) **Patent No.:** **US D722,641 S**

(45) **Date of Patent:** **** Feb. 17, 2015**

- (54) **TONER CARTRIDGE SEAL**
- (71) Applicant: **Peter Vincent Massaro, Jr.**, West Haven, CT (US)
- (72) Inventor: **Peter Vincent Massaro, Jr.**, West Haven, CT (US)
- (73) Assignee: **Flo-Tech, LLC**, Middletown, CT (US)
- (**) Term: **14 Years**
- (21) Appl. No.: **29/472,686**
- (22) Filed: **Nov. 14, 2013**
- (51) **LOC (10) Cl.** **16-03**
- (52) **U.S. Cl.**
USPC **D18/43**
- (58) **Field of Classification Search**
CPC G03G 15/0832; G03G 15/0834; G03G 15/0836; G03G 15/0837; G03G 15/0867; G03G 15/0868; G03G 15/0872; G03G 15/0881; G03G 15/0886; G03G 15/0877; G03G 15/0898; G03G 15/50; G03G 15/5016; G03G 225/0668
USPC D14/471; D18/12, 36, 40, 43, 44, 50, D18/55, 56, 99; 347/49, 50, 197, 222; 399/11, 106, 119, 120, 230, 258, 262
See application file for complete search history.

7,054,575	B1 *	5/2006	Michlin	399/106
D559,893	S *	1/2008	Kouroku et al.	D18/40
7,561,820	B2 *	7/2009	Gayne et al.	399/103
7,593,666	B2 *	9/2009	Ibaraki	399/103
8,005,395	B2 *	8/2011	Lewis et al.	399/106
D692,946	S *	11/2013	Hawley	D18/56
2007/0034099	A1 *	2/2007	Gayne et al.	101/216
2008/0240770	A1 *	10/2008	Mimura	399/103
2014/0086619	A1 *	3/2014	Itabashi	399/103

* cited by examiner

Primary Examiner — Eric Goodman
Assistant Examiner — Amy Wierenga

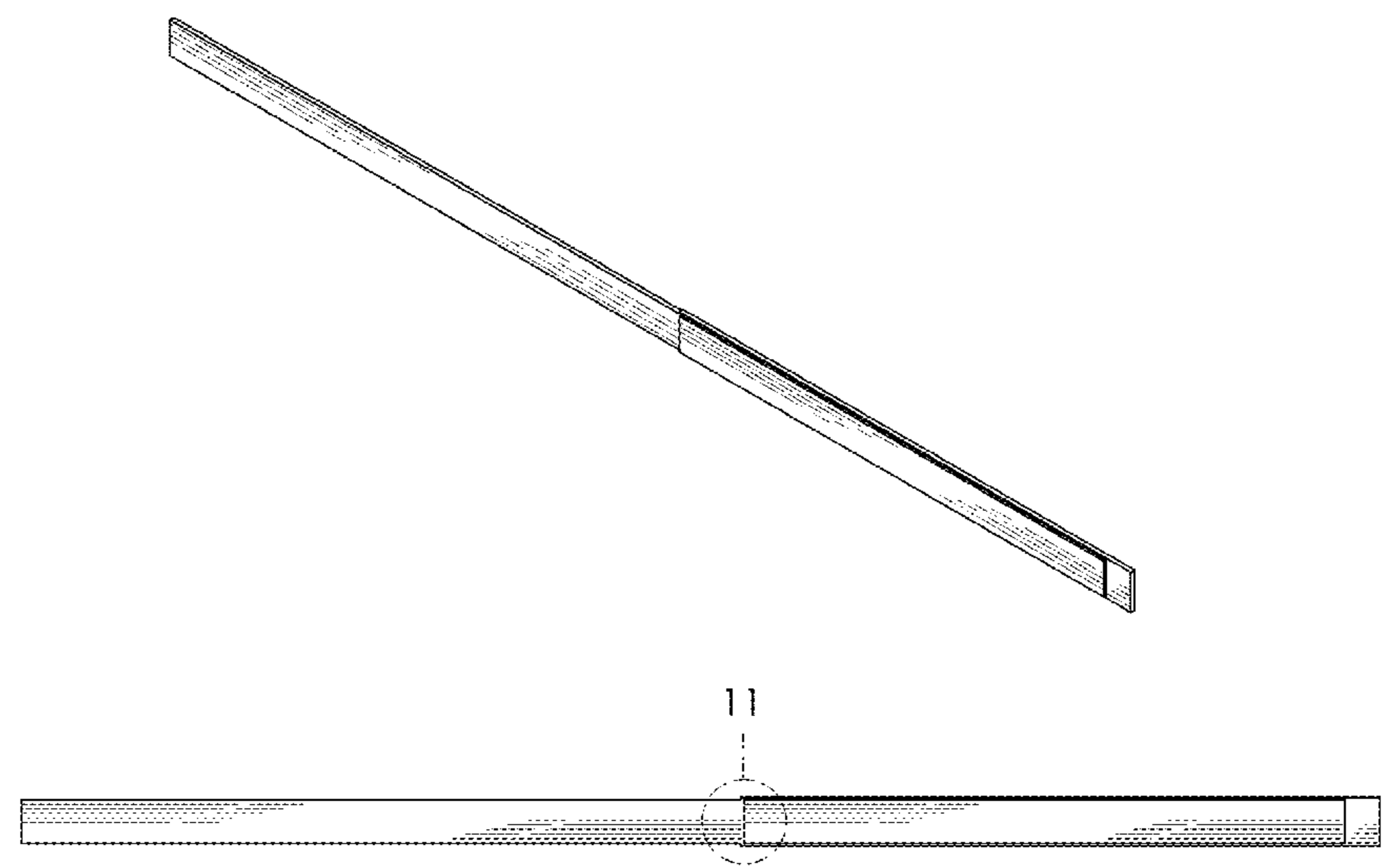
(57) **CLAIM**
The ornamental design for a toner cartridge seal, as shown and described.

DESCRIPTION

FIG. 1 is a perspective view of a toner cartridge seal showing my new design;
FIG. 2 is a left-side elevational view thereof;
FIG. 3 is a right-side elevational view thereof;
FIG. 4 is a front elevational view thereof;
FIG. 5 is a rear elevational view thereof;
FIG. 6 is a top plan view thereof;
FIG. 7 is a bottom plan view thereof;
FIG. 8 is a front elevational enlarged view for ease of disclosure thereof;
FIG. 9 is a rear elevational enlarged view for ease of disclosure thereof;
FIG. 10 is a left-side elevational view thereof; and,
FIG. 11 is an enlarged left-side elevational view so indicated in FIG. 10 thereof.
The dot dash broken line indicates cutoff boundaries for enlarged detailed portion views and form no part of the claimed design.

1 Claim, 11 Drawing Sheets

- (56) **References Cited**
U.S. PATENT DOCUMENTS
- | | | | | | |
|-----------|------|---------|-----------|-------|---------|
| 5,258,814 | A * | 11/1993 | Davies | | 399/105 |
| 5,282,003 | A * | 1/1994 | Michlin | | 399/103 |
| 5,296,902 | A * | 3/1994 | Michlin | | 399/109 |
| 5,335,831 | A * | 8/1994 | Foster | | 222/325 |
| RE35,529 | E * | 6/1997 | Michlin | | 399/106 |
| 5,909,606 | A * | 6/1999 | Fujiwara | | 399/106 |
| 6,654,576 | B2 * | 11/2003 | Dougherty | | 399/103 |



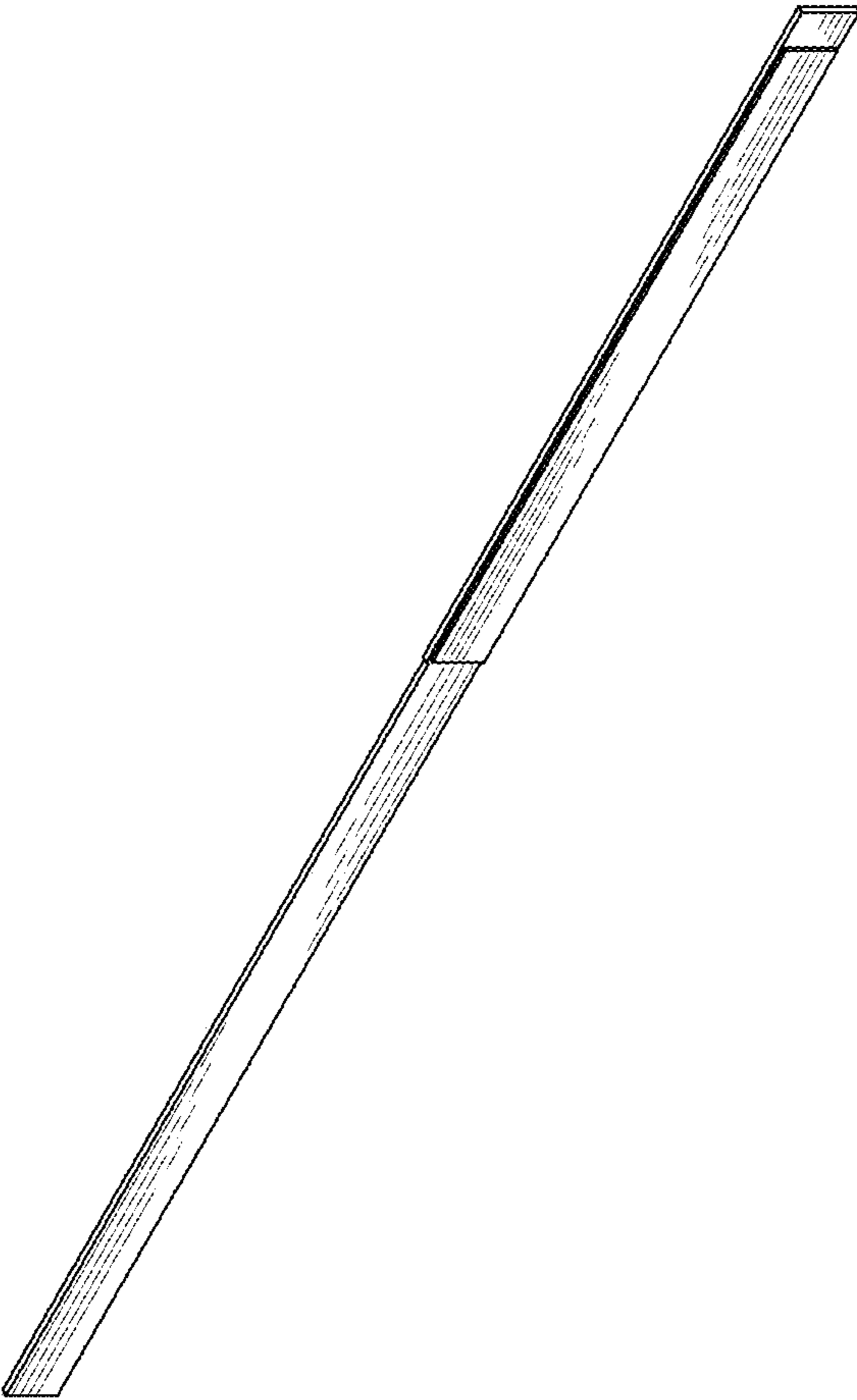


FIG. 1

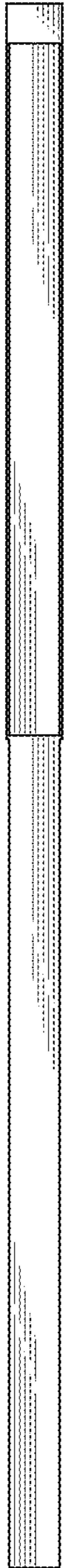


FIG. 2

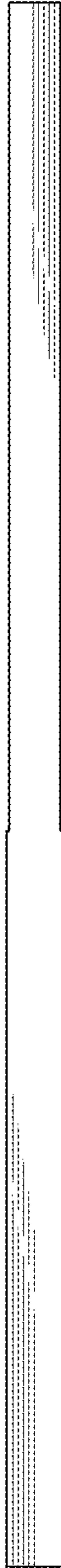


FIG. 3

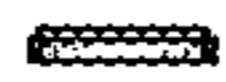


FIG. 4

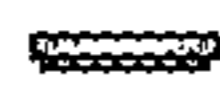


FIG. 5



FIG. 6



FIG. 7



FIG. 8



FIG. 9

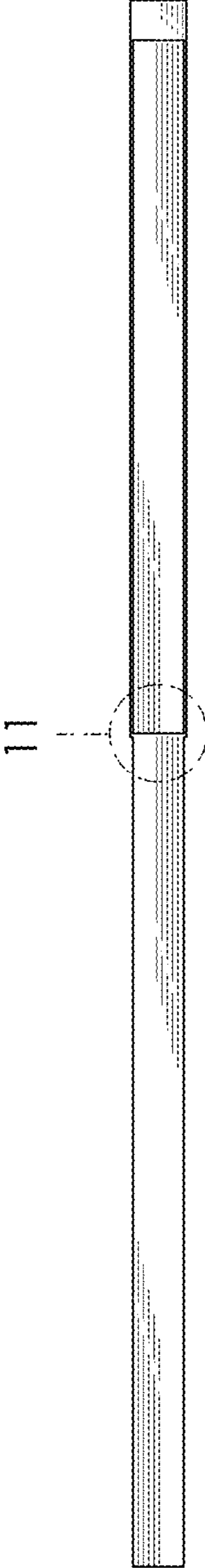


FIG. 10

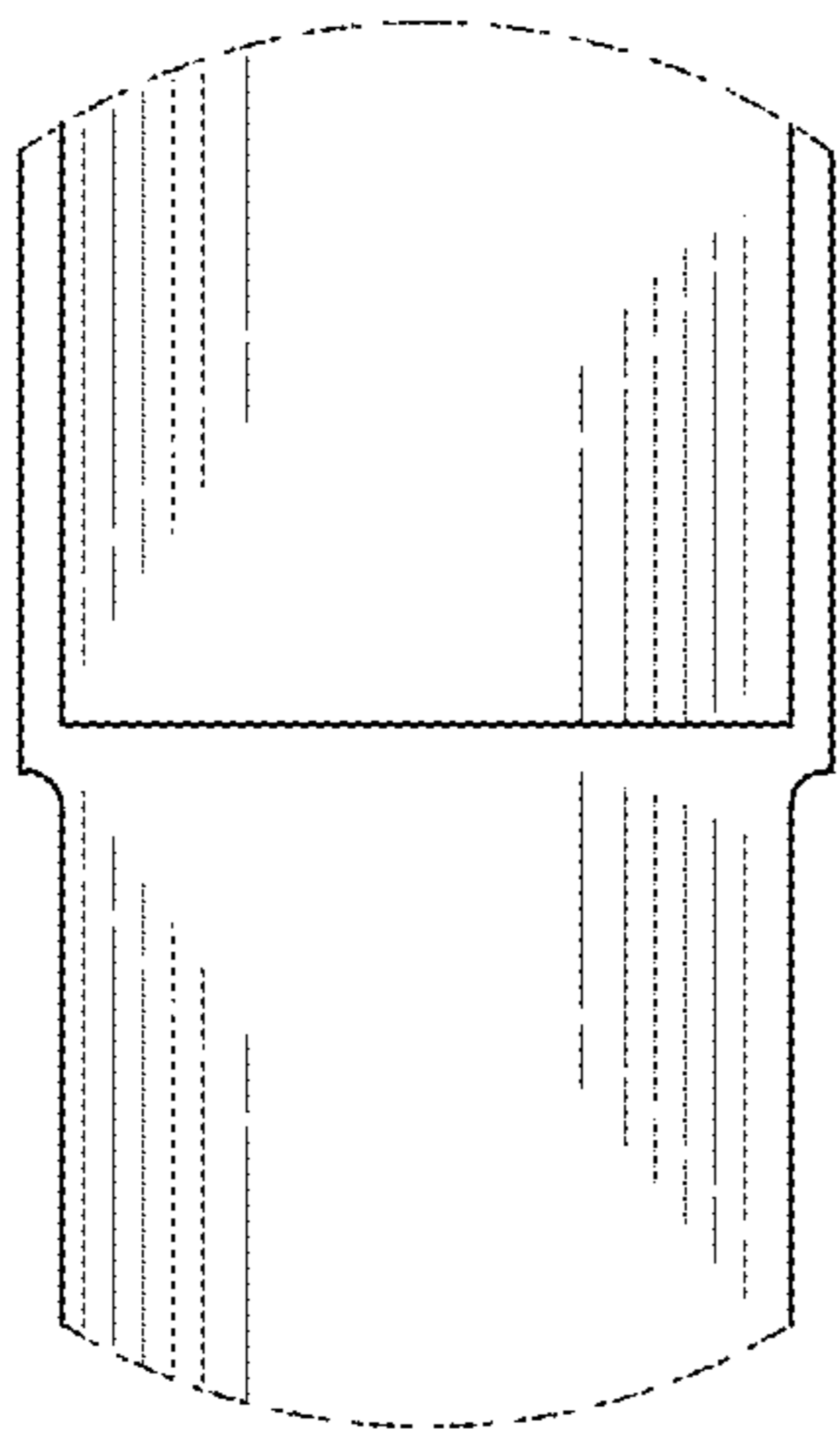


FIG. 11