



US00D722640S

(12) **United States Design Patent**
Miyake et al.

(10) **Patent No.:** **US D722,640 S**

(45) **Date of Patent:** **** Feb. 17, 2015**

(54) **CASH REGISTER**

(71) Applicant: **Fujitsu Frontech Limited**, Tokyo (JP)

(72) Inventors: **Toshimasa Miyake**, Tokyo (JP);
Takashi Yoshida, Tokyo (JP); **Tomohiro Takizawa**, Kanagawa (JP); **Yu Kurosawa**, Kanagawa (JP)

(73) Assignee: **Fujitsu Frontech Limited** (JP)

(**) Term: **14 Years**

(21) Appl. No.: **29/465,255**

(22) Filed: **Aug. 26, 2013**

(51) **LOC (10) Cl.** **18-01**

(52) **U.S. Cl.**
USPC **D18/4.1**

(58) **Field of Classification Search**
CPC G06Q 20/20
USPC D14/336, 371-376, 387; D18/3.1-3.3,
D18/4.1-4.6, 6-12, 12.1-12.3; D21/324,
D21/325, 332; D99/28, 34-36, 43; 235/7 R,
235/12, 22, 33, 51, 52, 2; 705/12, 15, 16,
705/17, 18, 43; D6/698, 699

See application file for complete search history.

(56) **References Cited**

U.S. PATENT DOCUMENTS

D422,016 S * 3/2000 Forslund D18/3.1
D427,413 S * 6/2000 Wallace et al. D99/35
D447,164 S * 8/2001 Forslund D18/3.1
D492,082 S * 6/2004 Magee et al. D99/28
D536,192 S * 2/2007 Kruse et al. D6/402

D542,834 S * 5/2007 Ando et al. D18/4.6
D584,875 S * 1/2009 Bleck D99/28
D586,579 S * 2/2009 Hunayama et al. D6/402
D597,275 S * 7/2009 Lee D99/28
7,849,011 B1 * 12/2010 McCoy et al. 705/43
D631,676 S * 2/2011 Kruse D6/402
D652,650 S * 1/2012 Kruse D6/402
2002/0128970 A1 * 9/2002 Ghafoor et al. 705/43
2004/0083176 A1 * 4/2004 Utz et al. 705/43
2004/0153409 A1 * 8/2004 Shepley et al. 705/43
2004/0181484 A1 * 9/2004 Murison 705/43
2007/0071302 A1 * 3/2007 Jones et al. 382/135
2009/0118860 A9 * 5/2009 Sjostrom 700/231
2009/0292569 A1 * 11/2009 Statland et al. 705/7
2010/0241564 A1 * 9/2010 Miller et al. 705/43
2013/0311366 A1 * 11/2013 Han et al. 705/43

* cited by examiner

Primary Examiner — Adir Aronovich

Assistant Examiner — Ethiene Salgado-Rodriguez

(74) *Attorney, Agent, or Firm* — Schwegman Lundberg & Woessner, P.A.

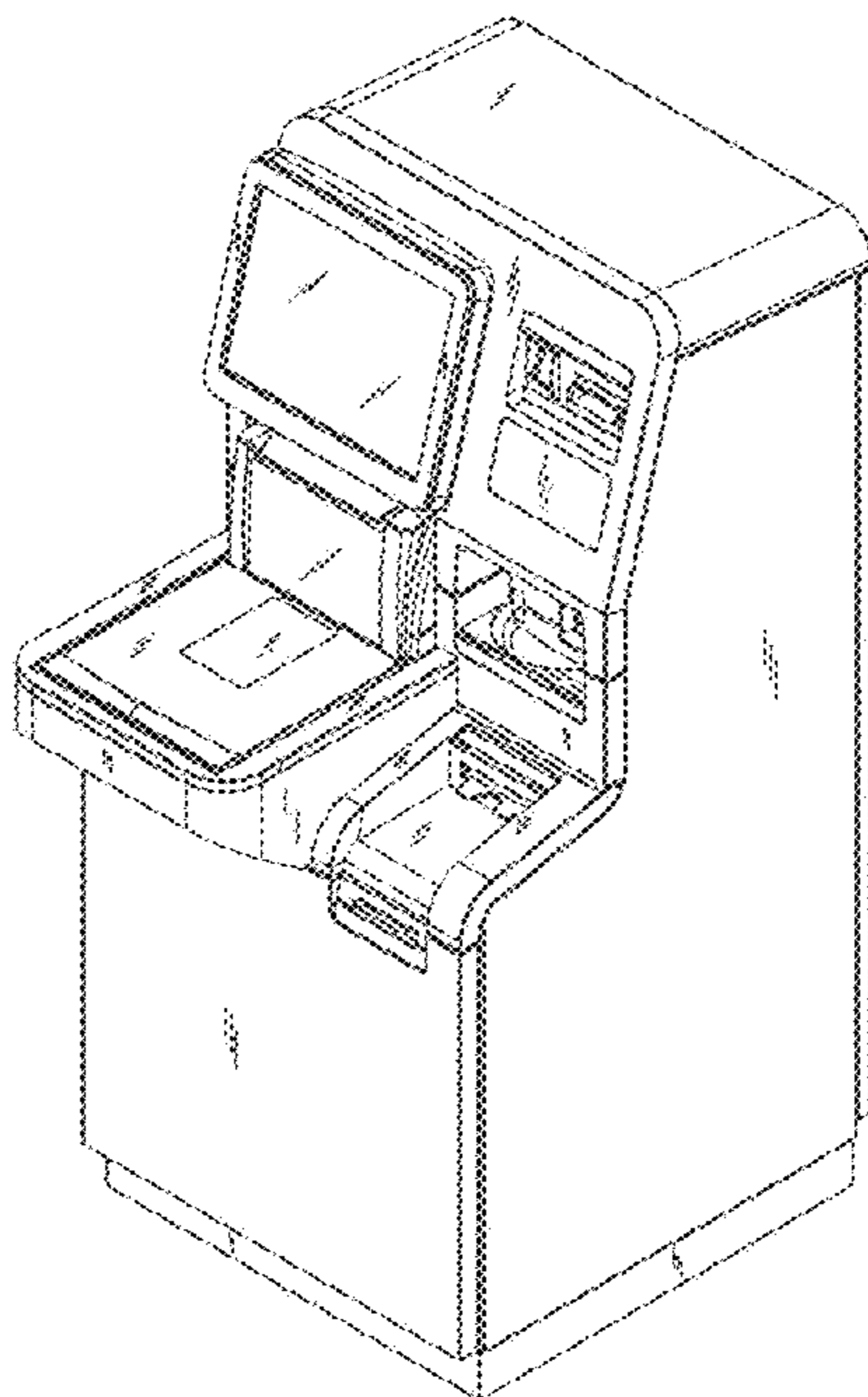
(57) **CLAIM**

The ornamental design for a cash register, as shown and described.

DESCRIPTION

FIG. 1 is PERSPECTIVE VIEW of a cash register;
FIG. 2 is a FRONT VIEW of the cash register;
FIG. 3 is a REAR VIEW of the cash register;
FIG. 4 is a RIGHT SIDE VIEW of the cash register;
FIG. 5 is a LEFT SIDE VIEW of the cash register;
FIG. 6 is a TOP VIEW of the cash register; and,
FIG. 7 is BOTTOM VIEW of the cash register.

1 Claim, 7 Drawing Sheets



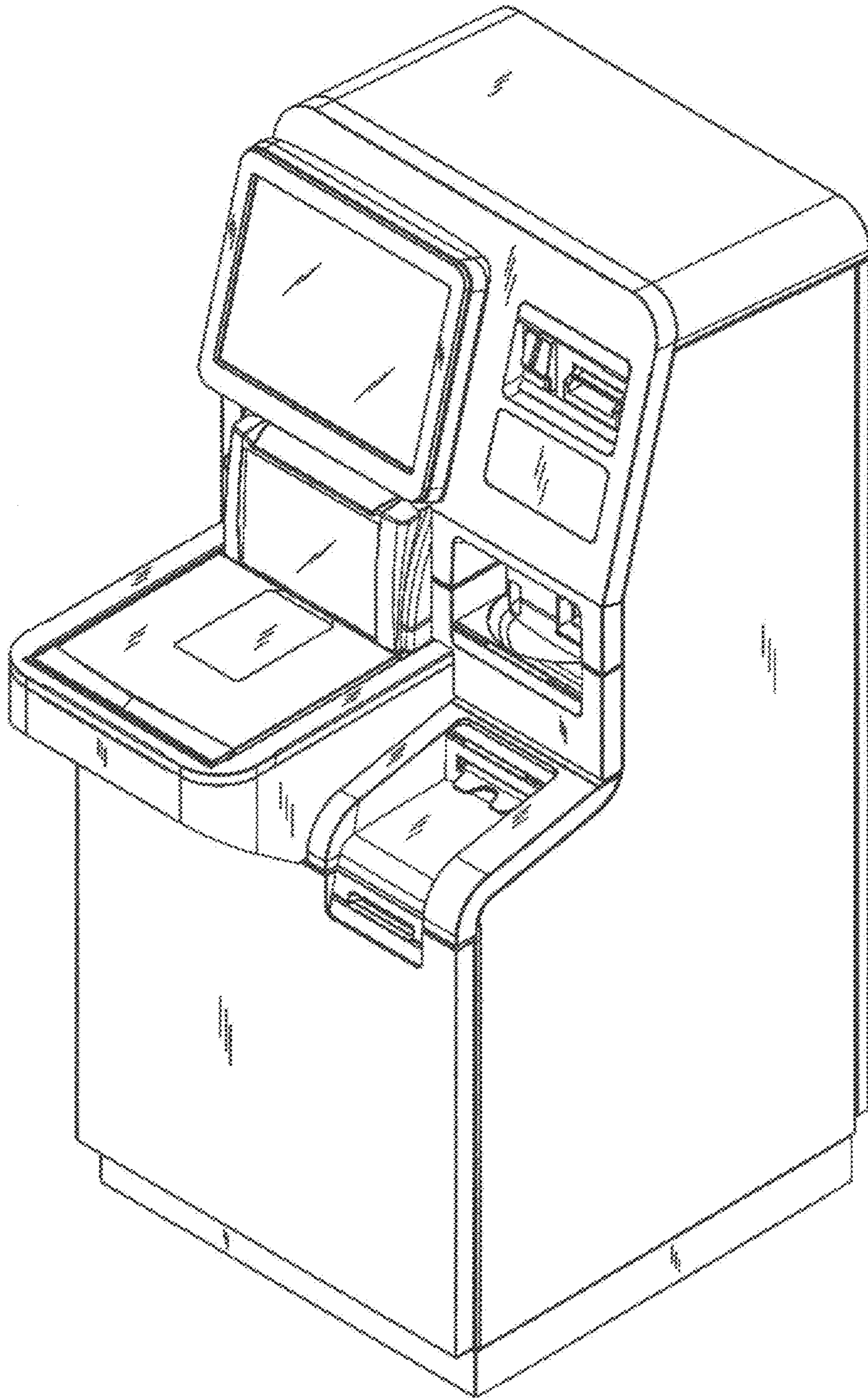


FIG. 1

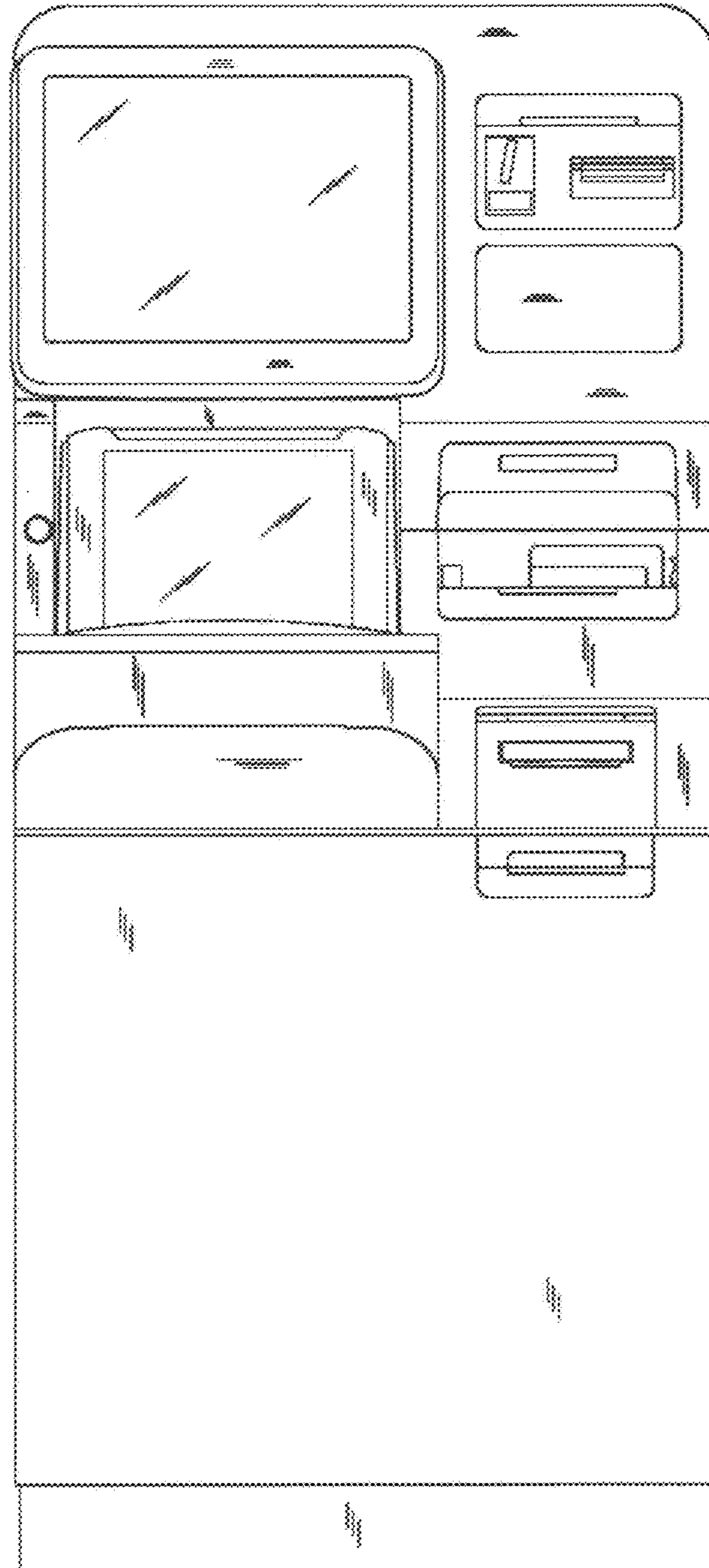


FIG. 2

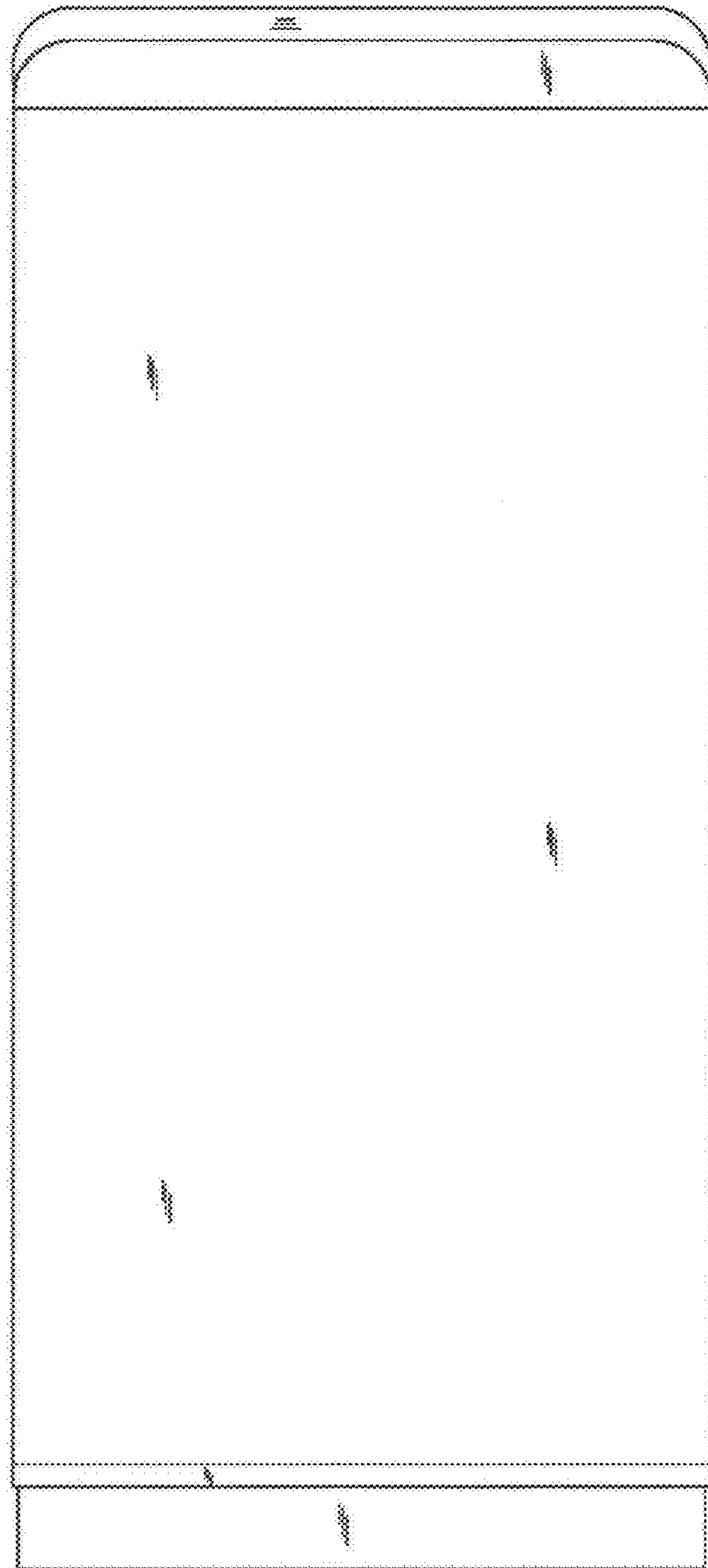


FIG. 3

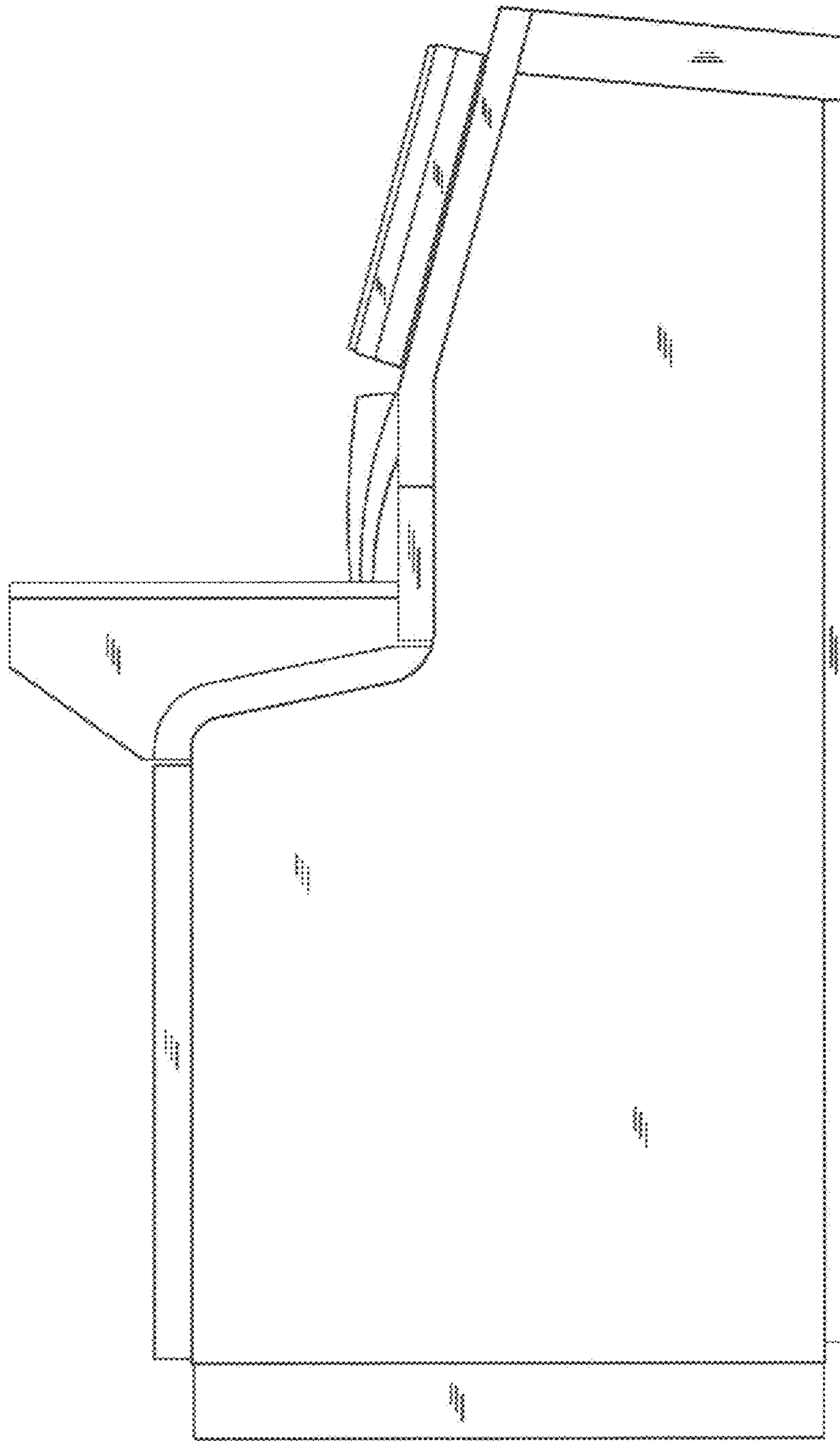


FIG. 4

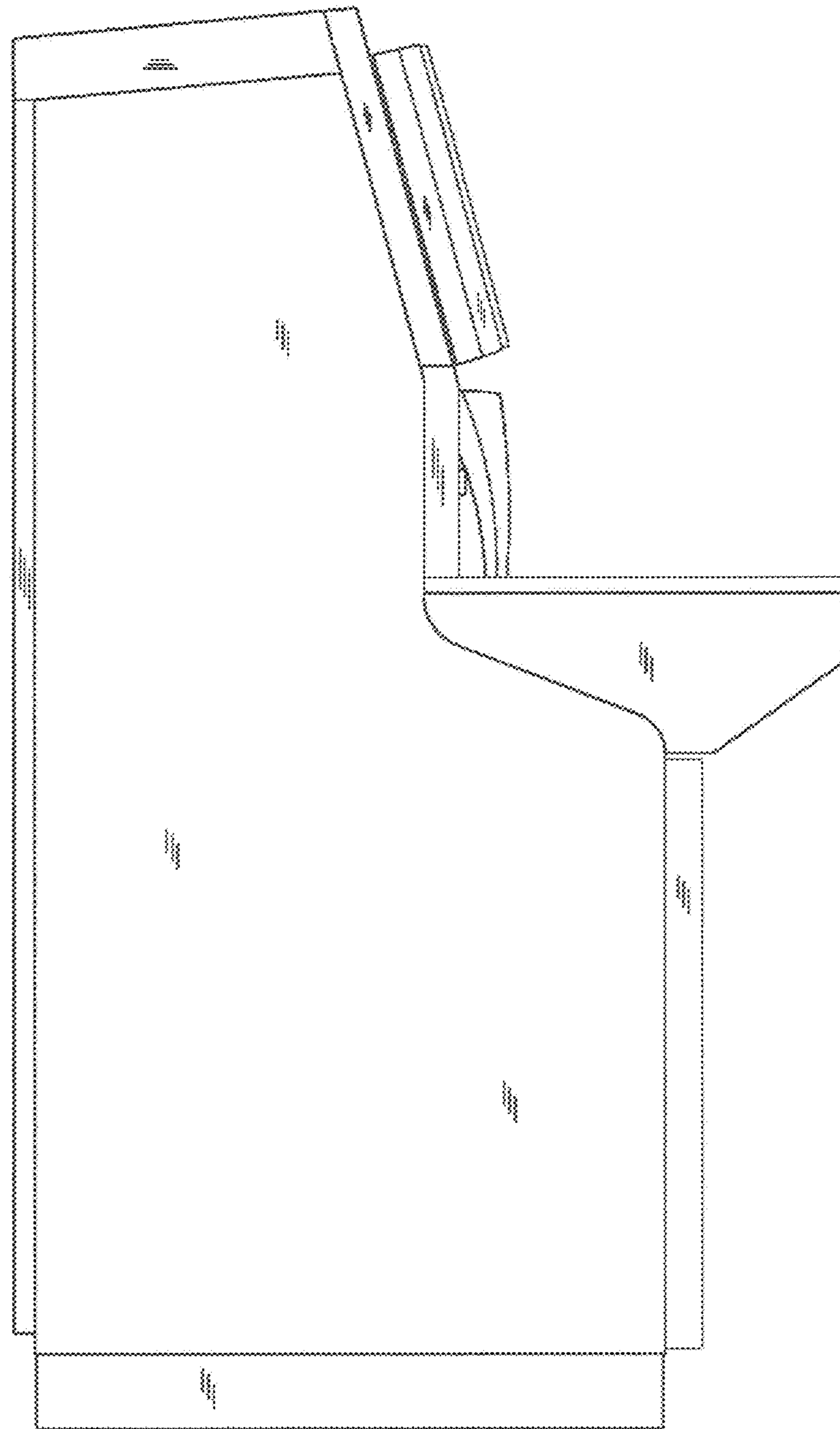


FIG. 5

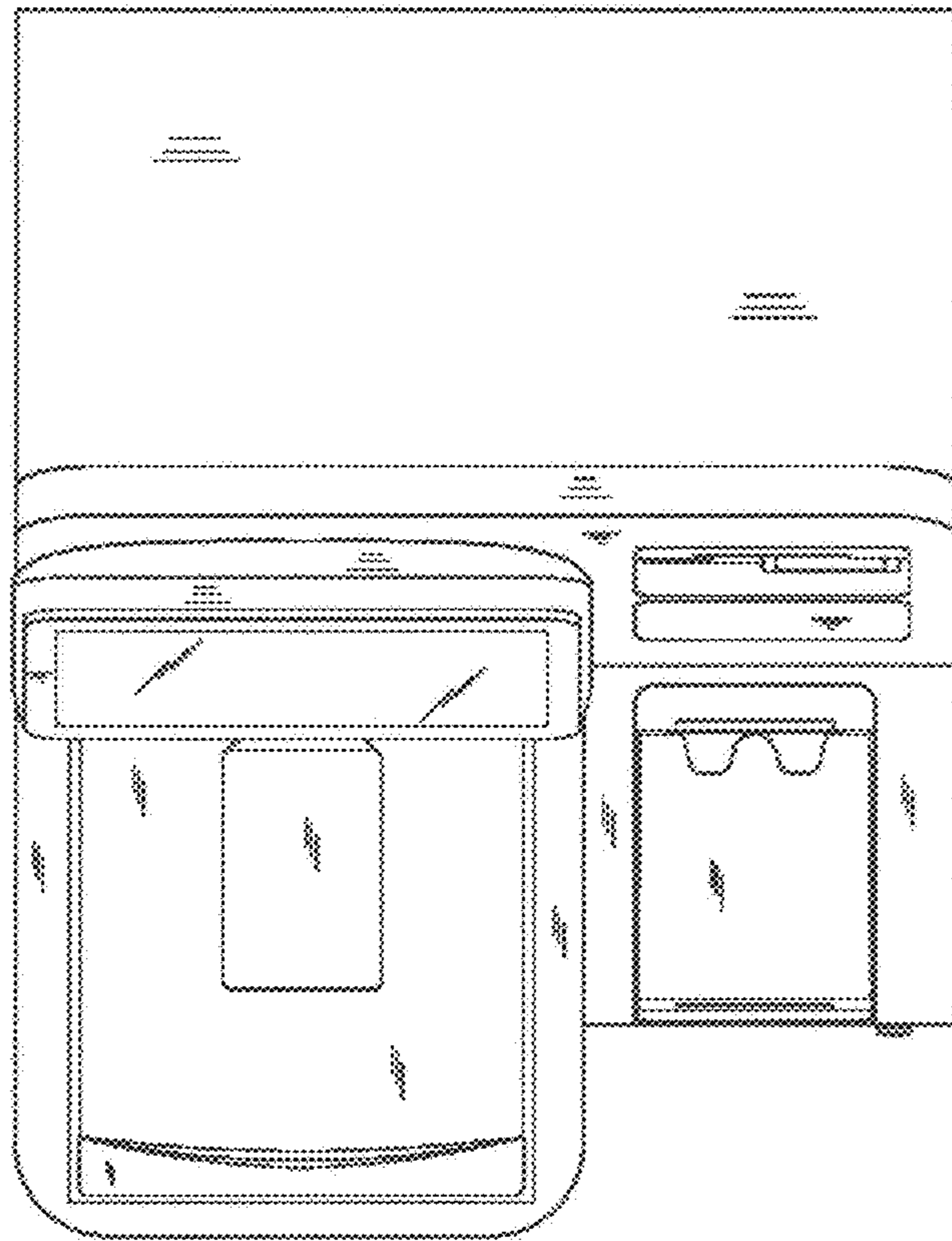


FIG. 6

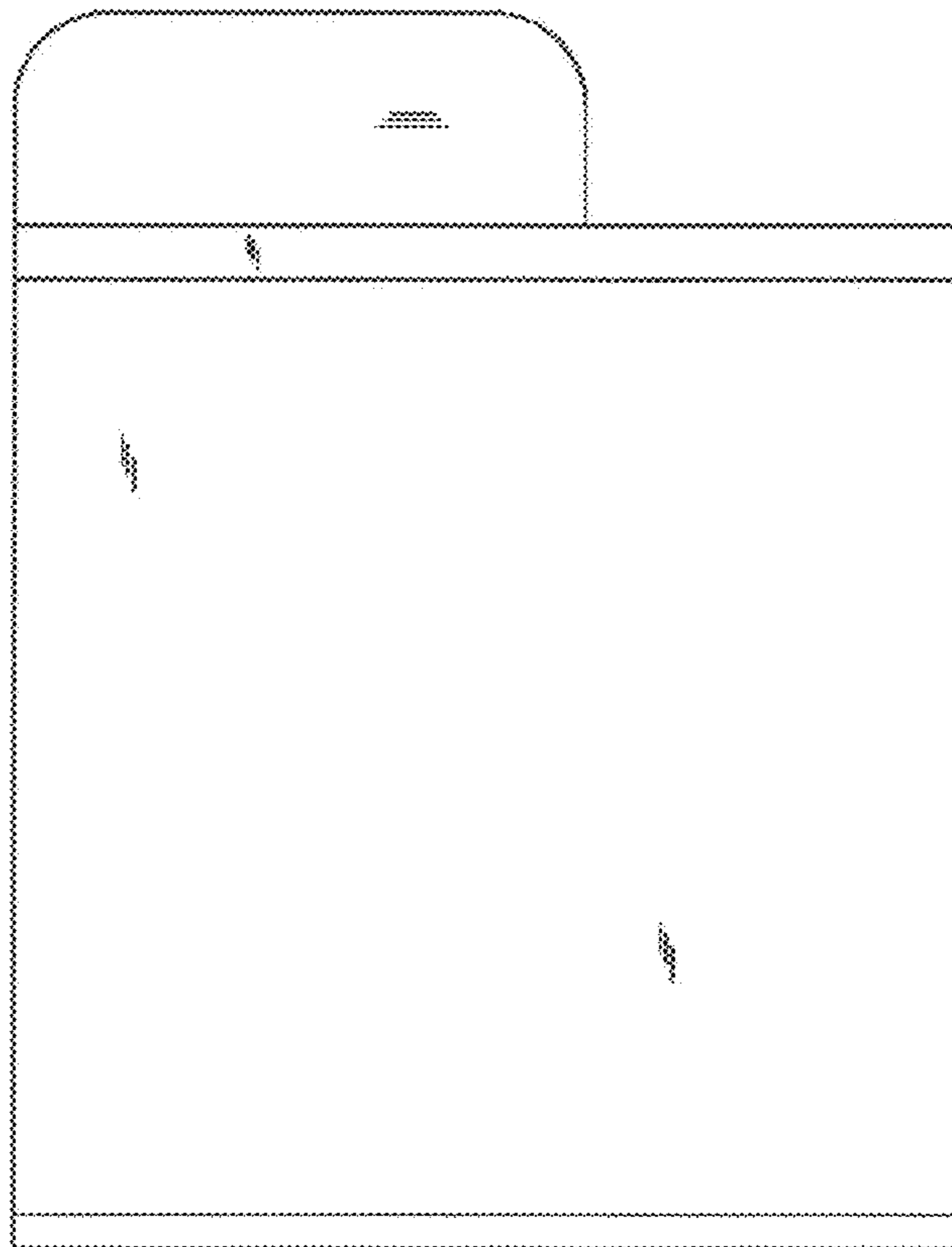


FIG. 7