



US00D722639S

(12) **United States Design Patent**  
**Ho**

(10) **Patent No.:** **US D722,639 S**  
(45) **Date of Patent:** **\*\* Feb. 17, 2015**

(54) **PAIR OF TEMPLE ARMS FOR AN EYEGLASS FRAME**

(71) Applicant: **Patrick C. Ho**, Hilton, NY (US)

(72) Inventor: **Patrick C. Ho**, Hilton, NY (US)

(73) Assignee: **Alpha Primitus, Inc.**, Central (HK)

(\*\*) Term: **14 Years**

(21) Appl. No.: **29/444,325**

(22) Filed: **Jan. 29, 2013**

(51) **LOC (10) Cl.** ..... **16-06**

(52) **U.S. Cl.**  
USPC ..... **D16/335**

(58) **Field of Classification Search**  
USPC ..... D16/320, 333, 332, 325, 326, 328, 321,  
D16/318, 310, 309, 306, 300, 335, 334, 136,  
D16/330, 336, 338, 340, 341, 339, 327, 323,  
D16/303, 329, 301, 337, 342, 316, 304;  
24/58; D11/82, 49, 57, 58, 239, 224,  
D11/208, 133, 95, 33; 2/12, 442, 445, 447,  
2/448; 351/124, 69, 41, 137, 138, 139,  
351/131, 132, 136, 65, 76, 78, 79, 87, 88;  
D3/219; D20/22, 40; D5/63, 56;  
D8/19, 16, 366; 383/210; D22/108,  
D22/199

See application file for complete search history.

(56) **References Cited**

U.S. PATENT DOCUMENTS

D139,613 S 12/1944 Norton  
3,189,912 A \* 6/1965 Miller ..... 351/118  
D220,291 S \* 3/1971 Bloch ..... D16/320  
4,968,128 A 11/1990 Mendola  
D342,081 S 12/1993 Fynan  
D352,725 S 11/1994 Charriol  
D377,040 S 12/1996 Khantzis et al.  
D417,462 S 12/1999 Chang  
D482,384 S 11/2003 Thiele et al.  
D537,102 S 2/2007 Lovegrove

7,185,982 B2 3/2007 Dietz  
D552,667 S 10/2007 Smith  
D558,253 S 12/2007 Mouclier  
D575,323 S \* 8/2008 Jannard et al. .... D16/326  
D581,445 S 11/2008 Nakanishi  
7,524,052 B2 4/2009 Esses  
7,530,688 B2 5/2009 Grogan et al.

(Continued)

FOREIGN PATENT DOCUMENTS

WO 2009013111 A1 9/2009

OTHER PUBLICATIONS

International Search Report and Written Opinion of PCT Application  
No. PCT/US2013/022552, dated Aug. 13, 2013.

*Primary Examiner* — Robert M Spear

*Assistant Examiner* — Eliza Bennett-Hattan

(74) *Attorney, Agent, or Firm* — Joseph M. Noto; Bond  
Schoeneck & King PLLC

(57) **CLAIM**

The ornamental design for a pair of temple arms for an eye-  
glass frame, as shown and described.

**DESCRIPTION**

FIG. 1 is a perspective view of a pair of temple arms for an  
eyeglass frame for my new design shown in the environment  
of an eyeglass frame;

FIG. 2 is a front elevational view thereof;

FIG. 3 is a rear elevational view thereof;

FIG. 4 is a side elevational view, wherein the other side is a  
mirror image thereof;

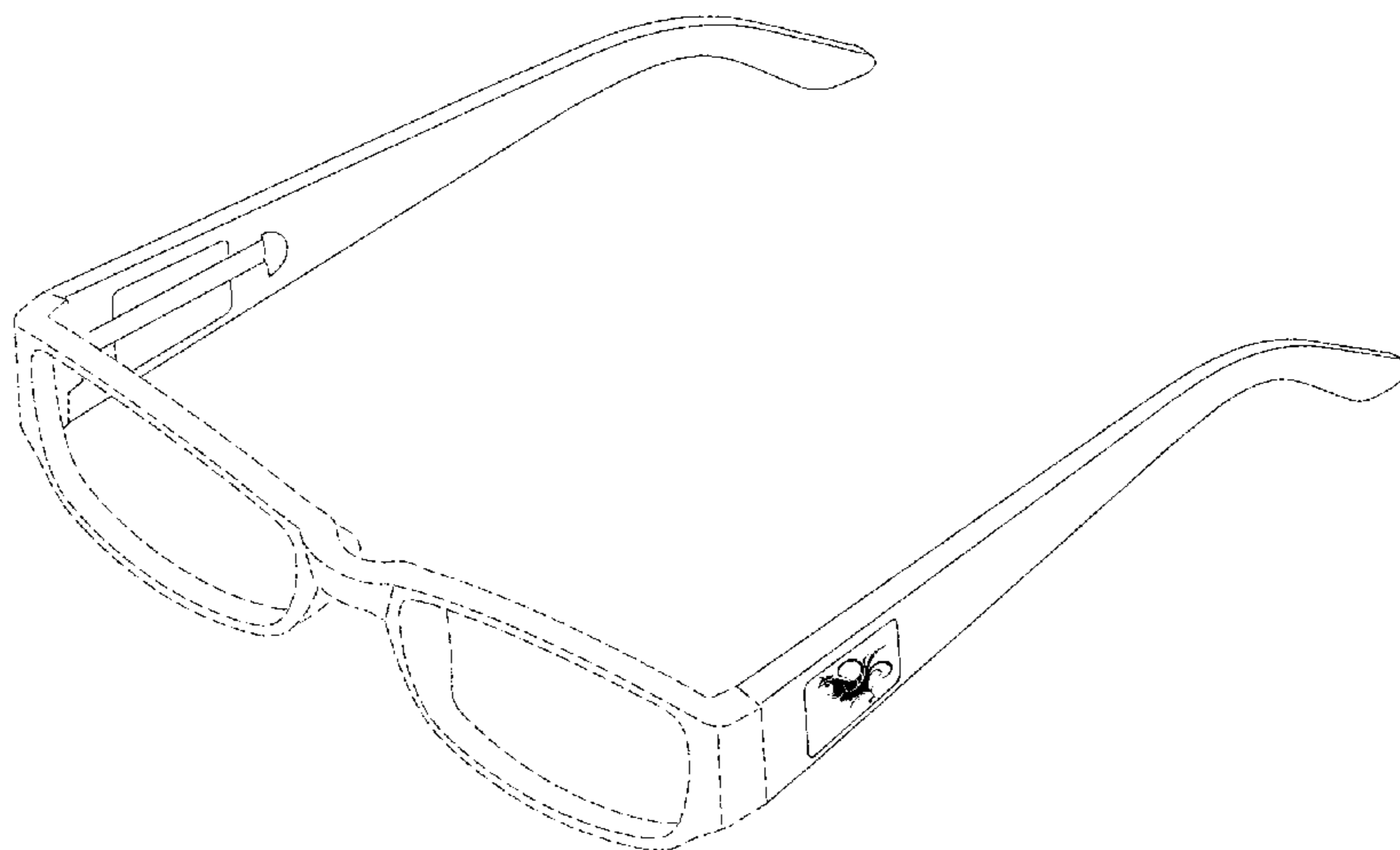
FIG. 5 is a top plan view thereof;

FIG. 6 is a bottom plan view thereof; and,

FIG. 7 is a perspective view thereof shown in an exploding  
format.

The broken lines showing the front of the eyeglass frame are  
for the purpose of illustrating environment structure and form  
no part of the claimed design.

**1 Claim, 7 Drawing Sheets**



(56)

References Cited

U.S. PATENT DOCUMENTS

D595,759 S 7/2009 Gonzalez  
 7,588,331 B2 9/2009 Burnstein  
 7,591,554 B2 9/2009 Guerrero  
 7,665,839 B1 2/2010 Tedeschi  
 7,677,721 B2\* 3/2010 Siu ..... 351/52  
 D614,227 S 4/2010 Muthsam  
 7,712,893 B2 5/2010 Dobashi  
 7,726,806 B2 6/2010 Boulas et al.  
 D625,352 S\* 10/2010 Gonzalez ..... D16/335  
 7,874,668 B2 1/2011 Brousseau et al.  
 7,874,669 B2 1/2011 Moritz et al.  
 7,874,670 B2 1/2011 Buggs et al.  
 7,891,807 B2 2/2011 Mansuy  
 7,901,070 B2 3/2011 Burnstein  
 7,914,143 B2 3/2011 Heim  
 D640,733 S 6/2011 Ho  
 7,997,724 B1\* 8/2011 Hsu ..... 351/158  
 8,123,351 B2 2/2012 Moritz et al.  
 8,167,426 B2 5/2012 Lampru

D662,126 S\* 6/2012 Rhee ..... D16/335  
 8,201,938 B2 6/2012 Rhee  
 D671,980 S 12/2012 Sallard  
 D675,670 S 2/2013 Fuchs  
 8,545,011 B2\* 10/2013 Chow ..... 351/52  
 2008/0231796 A1 9/2008 Zoullas et al.  
 2008/0273162 A1 11/2008 Porter  
 2009/0122253 A1 5/2009 Clay  
 2009/0147213 A1 6/2009 Poole  
 2009/0273754 A1 11/2009 Ridgeway  
 2010/0002185 A1 1/2010 Zelman  
 2010/0002186 A1 1/2010 Zelman  
 2010/0014045 A1 1/2010 MacCallum  
 2011/0080555 A1 4/2011 Chow  
 2011/0116032 A1 5/2011 Brousseau et al.  
 2012/0002158 A1 1/2012 Jirsa et al.  
 2012/0075571 A1 3/2012 Silver  
 2012/0075572 A1 3/2012 Silver et al.  
 2012/0127419 A1 5/2012 Moore et al.  
 2012/0133883 A1 5/2012 Mezher  
 2012/0224135 A1 9/2012 Moritz et al.

\* cited by examiner

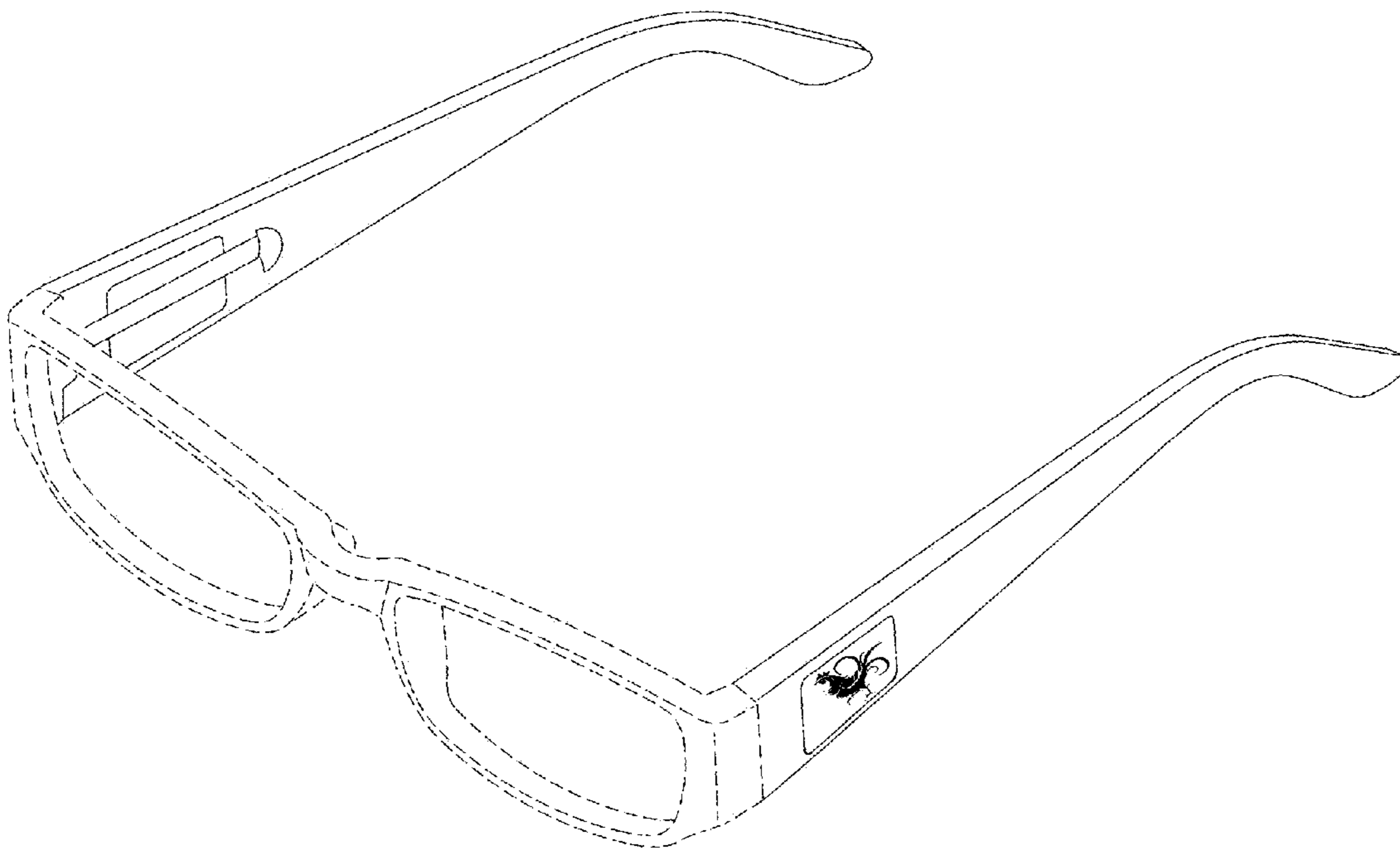


FIG. 1

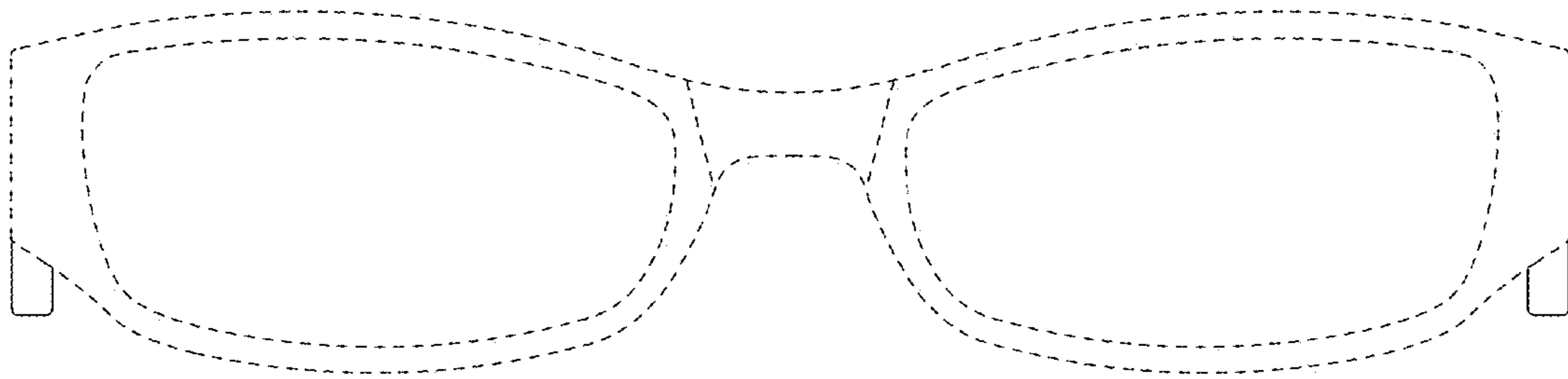


FIG. 2

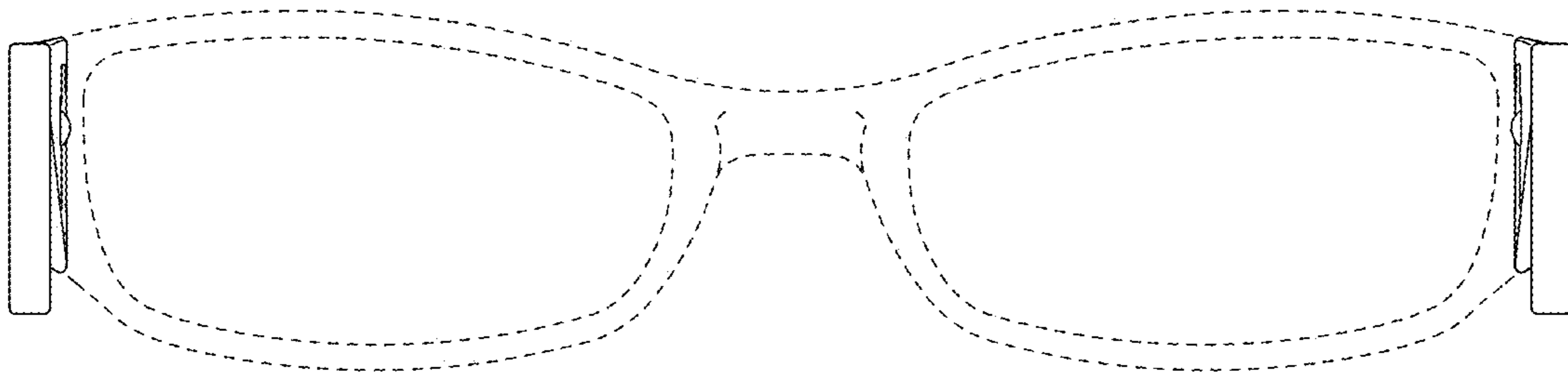


FIG. 3

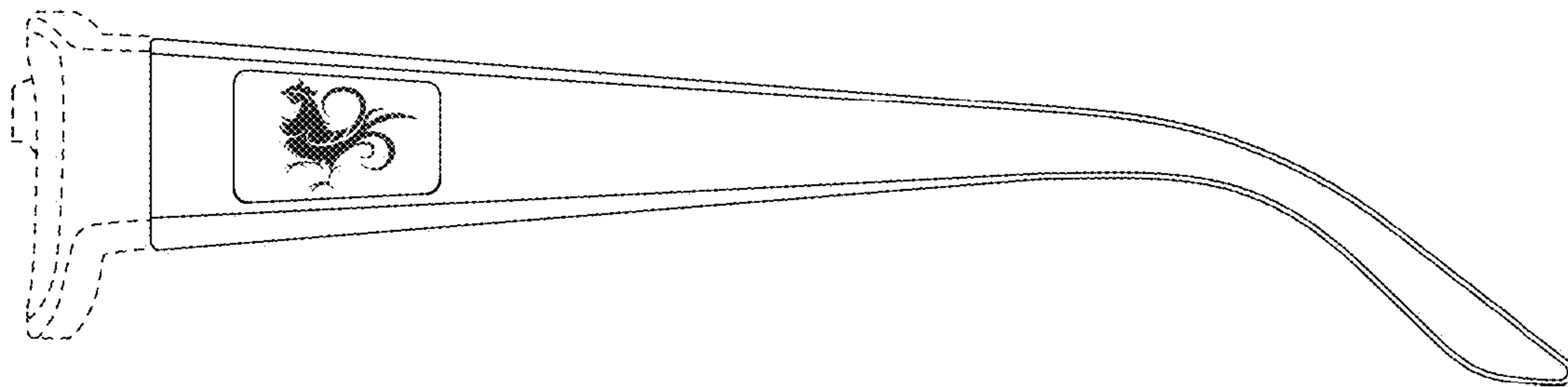


FIG. 4

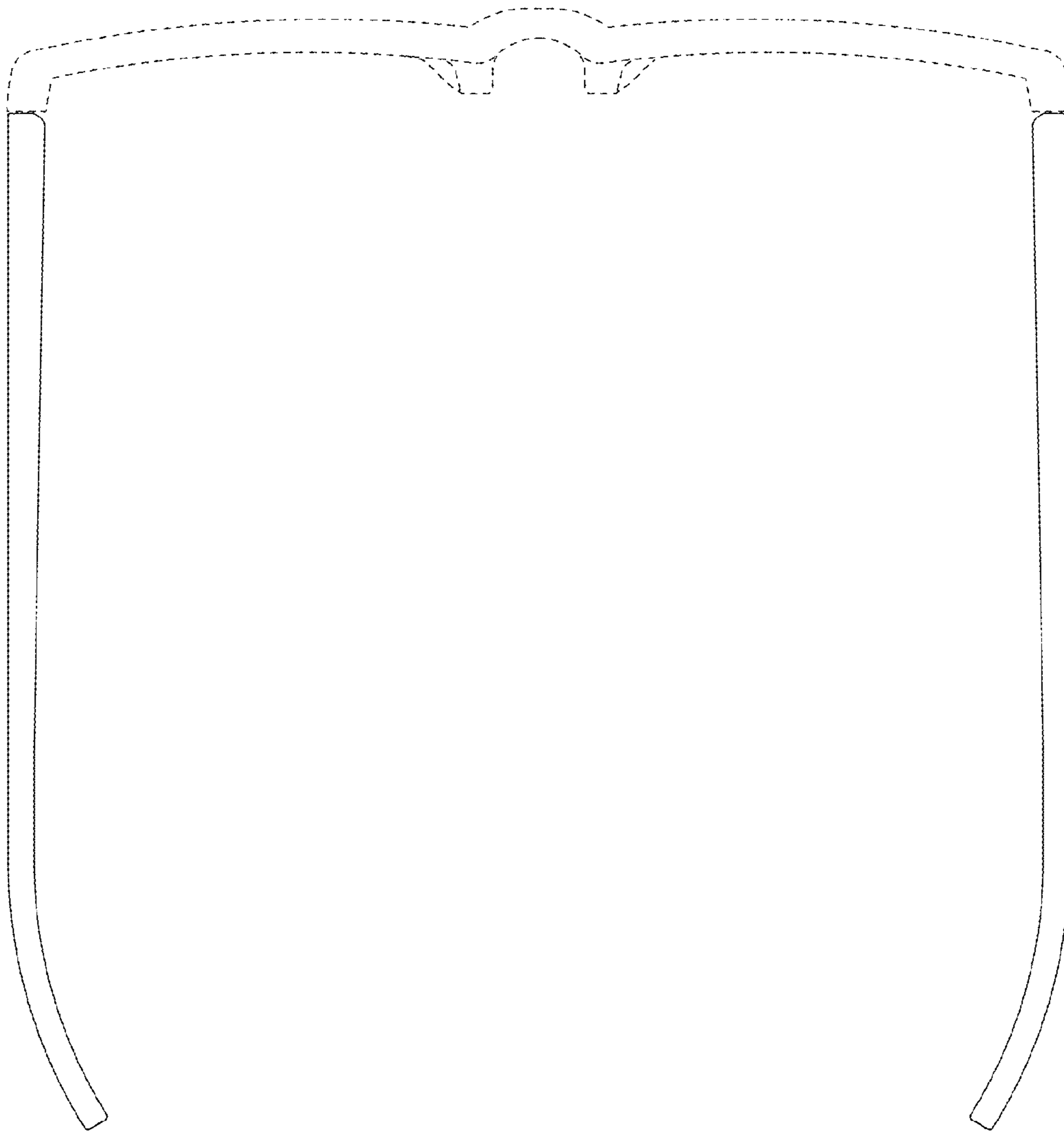


FIG. 5

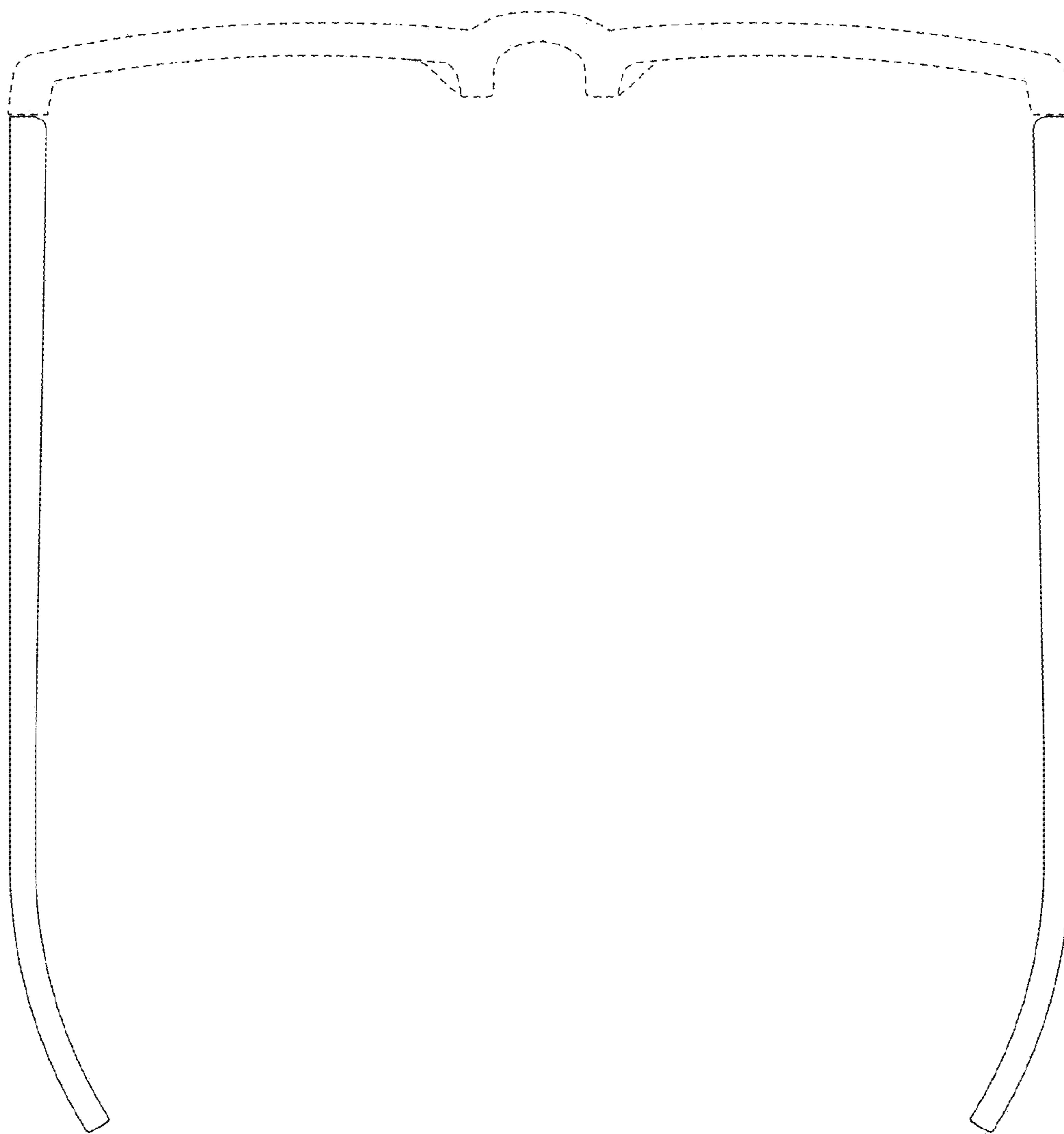


FIG. 6



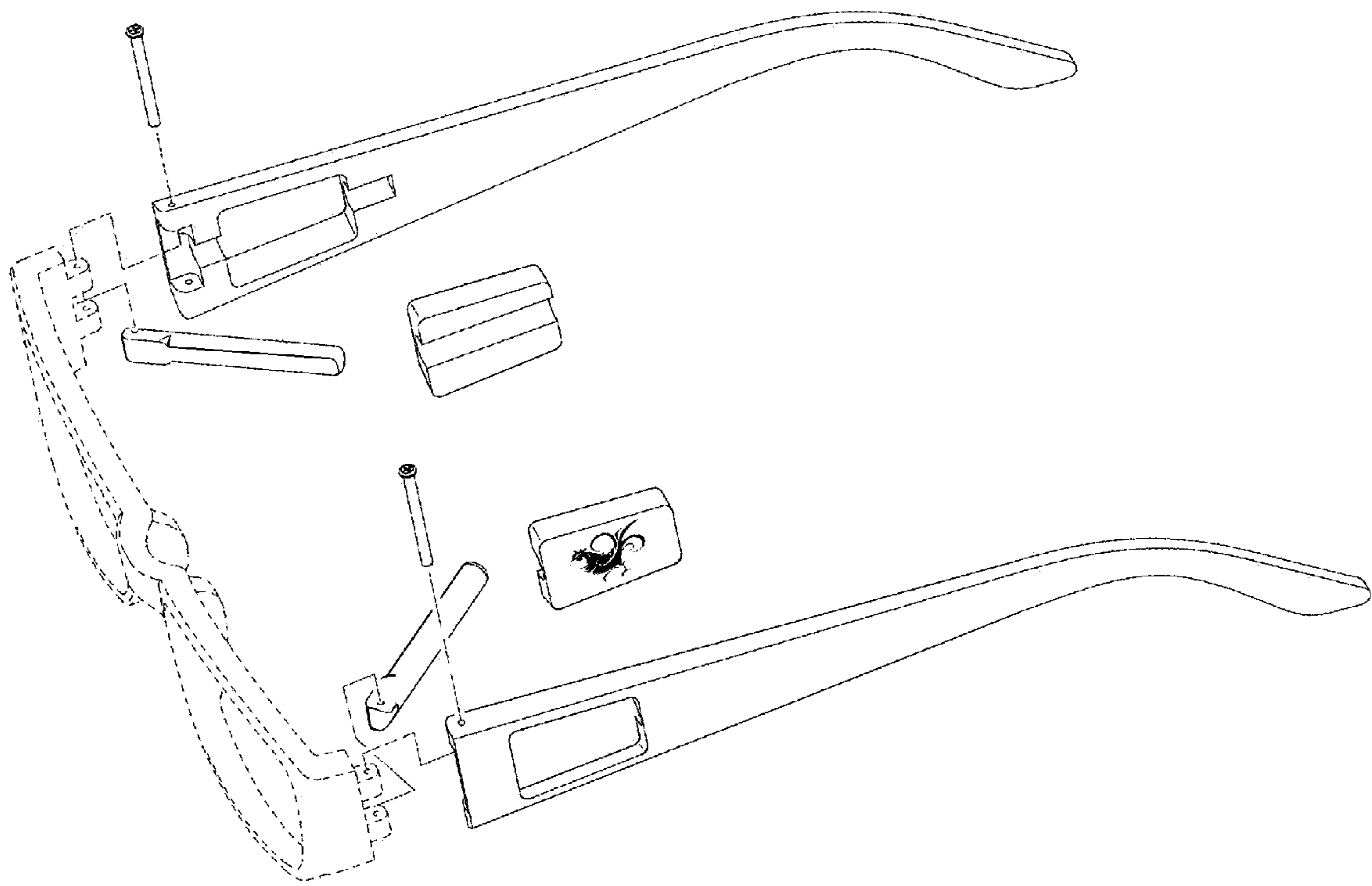


FIG. 7