



US00D722637S

(12) **United States Design Patent**
Baty

(10) **Patent No.:** **US D722,637 S**
(45) **Date of Patent:** **** Feb. 17, 2015**

(54) **CAMERA JIB**

(71) Applicant: **Jonathan Clinton Montoya Baty**,
Piedmont, SC (US)

(72) Inventor: **Jonathan Clinton Montoya Baty**,
Piedmont, SC (US)

(**) Term: **14 Years**

(21) Appl. No.: **29/443,139**

(22) Filed: **Jan. 14, 2013**

(51) **LOC (10) CI.** **16-05**

(52) **U.S. CI.**

USPC **D16/242**

(58) **Field of Classification Search**

CPC .. G03B 17/56–17/568; G03B 21/20–21/2066;
G03B 15/041–15/0436; B66F 11/048; F16M
11/42; F16M 11/18; F16M 11/00

USPC D16/205, 211, 214, 218–220, 237–250,
D16/302, 303; D34/33–36

See application file for complete search history.

7,249,740 B1 * 7/2007 Morales et al. 248/187.1
D588,621 S 3/2009 Baty
7,544,001 B2 * 6/2009 Chapman 396/428
8,057,112 B2 * 11/2011 Amadril et al. 396/428

OTHER PUBLICATIONS

Orion DVC200 8 ft Camera Crane / Jib by ProAm USA. [online]
Retrieved Sep. 9, 2014 from URL: <<http://www.proamusa.com/ProAm-USA-Orion-DVC200-8-Camera-Crane-Jib-p/dvc200.htm>>.*

Glidecam Industries, Inc.; Web site print outs from <http://glidecam.com/product-vista-crane.php>; visited Jan. 4, 2013; copy enclosed; copyright 1993-2013; copyright Glidecam Industries, Inc.; (4 pages).

* cited by examiner

Primary Examiner — Susan Bennett Hattan

Assistant Examiner — Vy Koenig

(74) *Attorney, Agent, or Firm* — Neal P Pierotti; Metz Lewis Brodman Must O’Keefe

(57) **CLAIM**

The ornamental design for a camera jib, as shown and described.

(56) **References Cited**

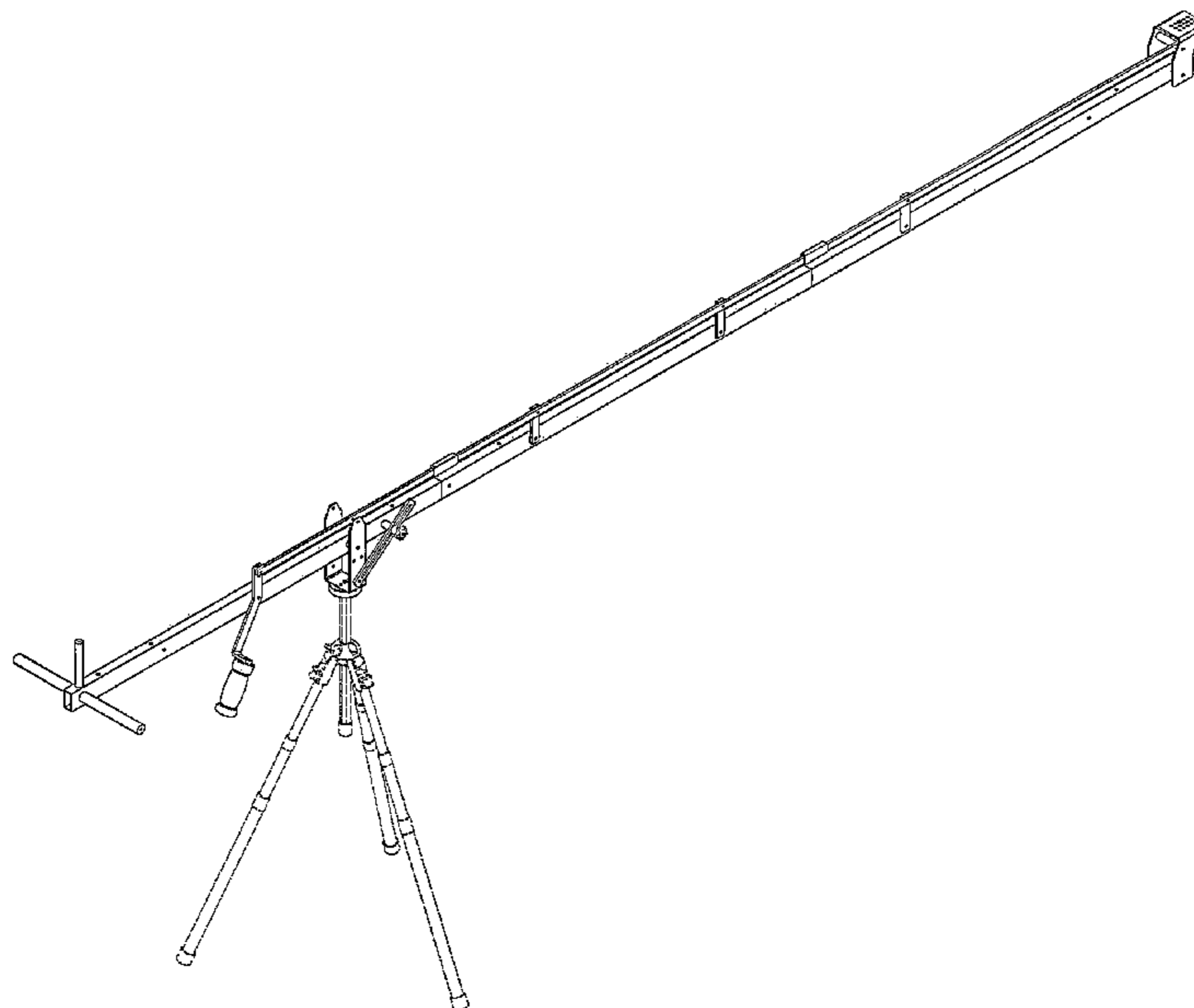
U.S. PATENT DOCUMENTS

1,942,925	A	1/1934	Jenkins	
2,156,862	A	5/1939	Maugard	
D238,903	S	2/1976	Colvig	
D289,835	S *	5/1987	Schoenig et al.	D6/462
4,671,478	A	6/1987	Schoenig et al.	
4,702,450	A *	10/1987	Barisa	248/123.2
4,849,778	A	7/1989	Samuelson	
4,952,953	A	8/1990	Ridderstolpe et al.	
6,752,541	B1	6/2004	Dykyj	
6,776,488	B2 *	8/2004	Burbulla	352/243
7,128,419	B2 *	10/2006	Harris	352/243
D539,827	S	4/2007	Ebeid	

DESCRIPTION

FIG. 1 is a back elevation view of the camera jib;
FIG. 2 is a front elevation view of the camera jib;
FIG. 3 is a right side elevation view of the camera jib;
FIG. 4 is a left side elevation view of the camera jib;
FIG. 5 is a top plan view of the camera jib;
FIG. 6 is a bottom plan view of the camera jib; and,
FIG. 7 is a perspective view of the camera jib.
The broken lines shown in the drawings depict portions of the article that form no part of the claimed design.

1 Claim, 7 Drawing Sheets



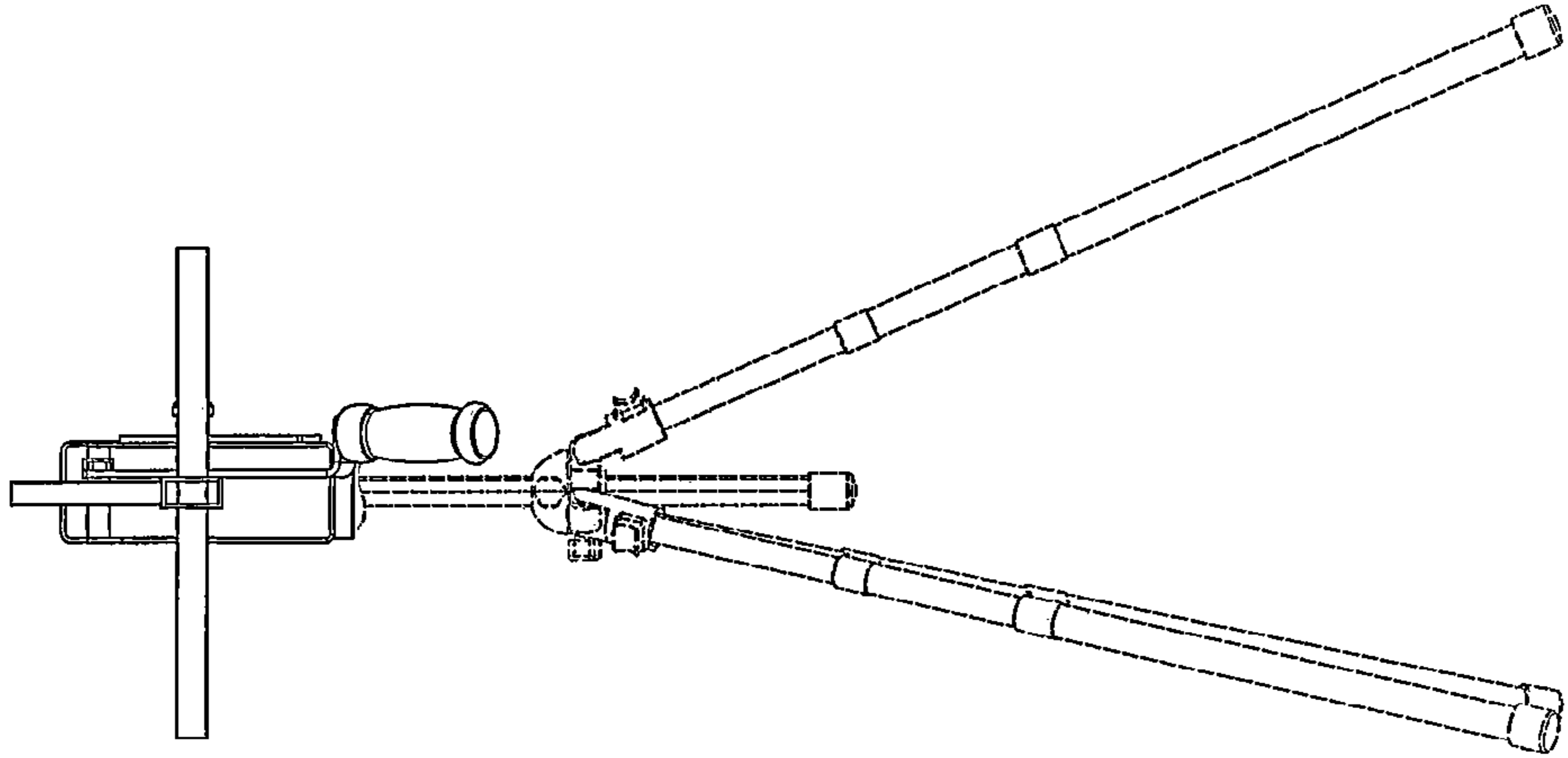


FIGURE 1

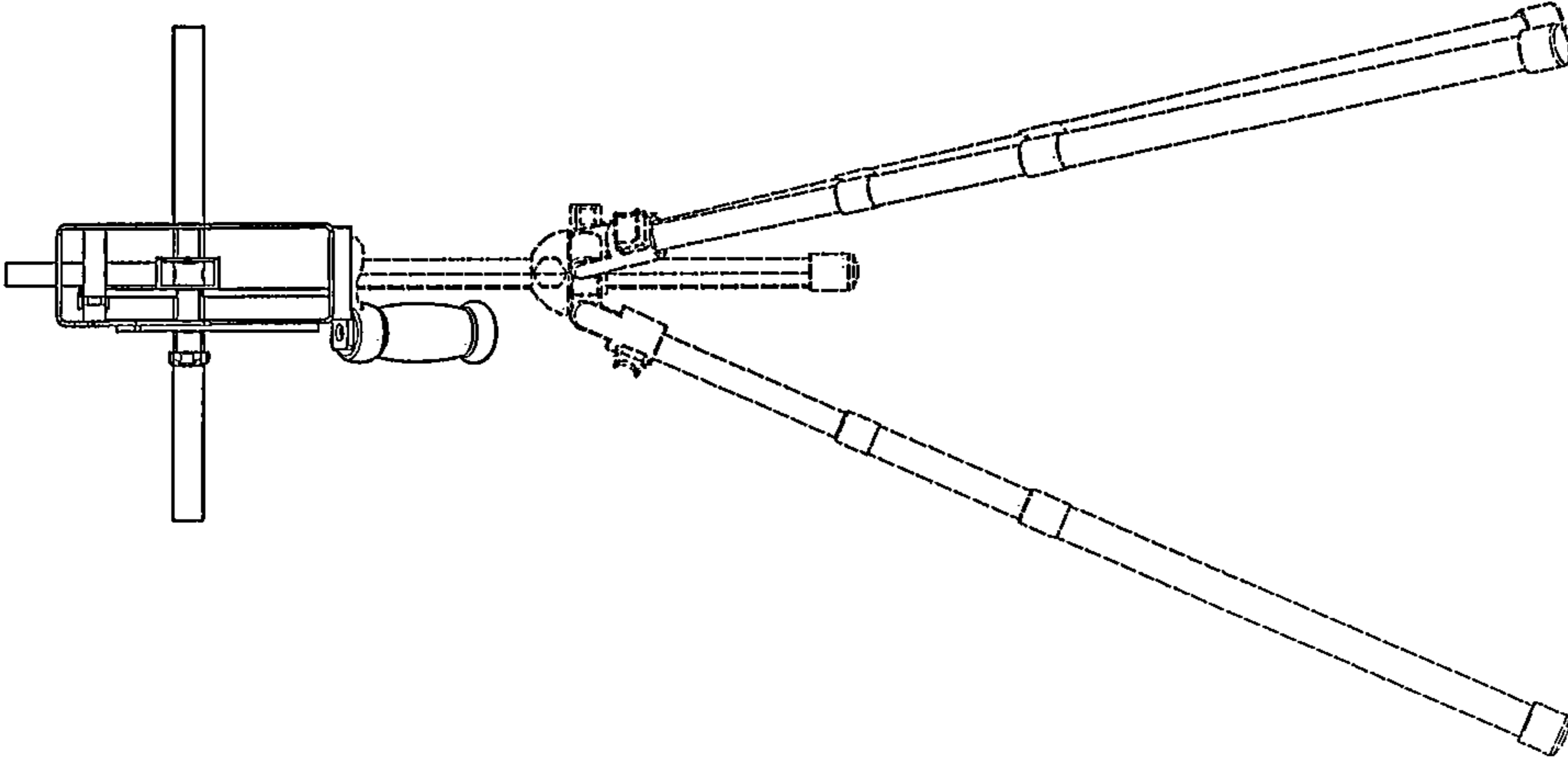


FIGURE 2

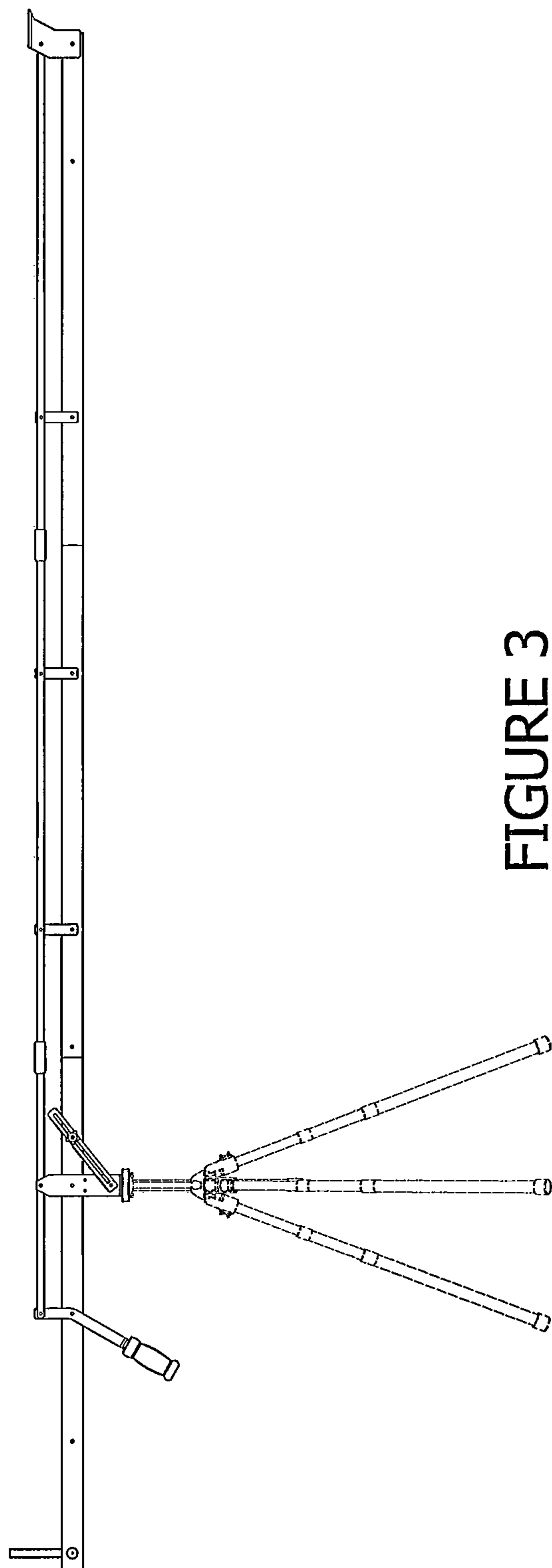


FIGURE 3

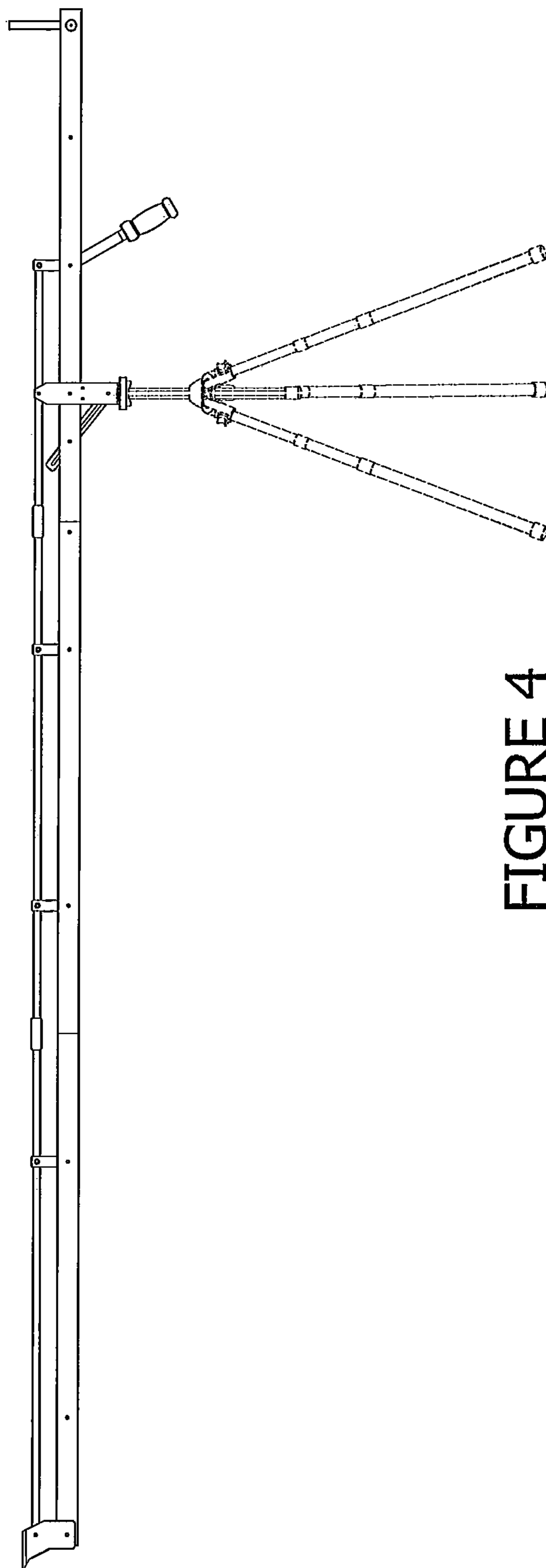


FIGURE 4

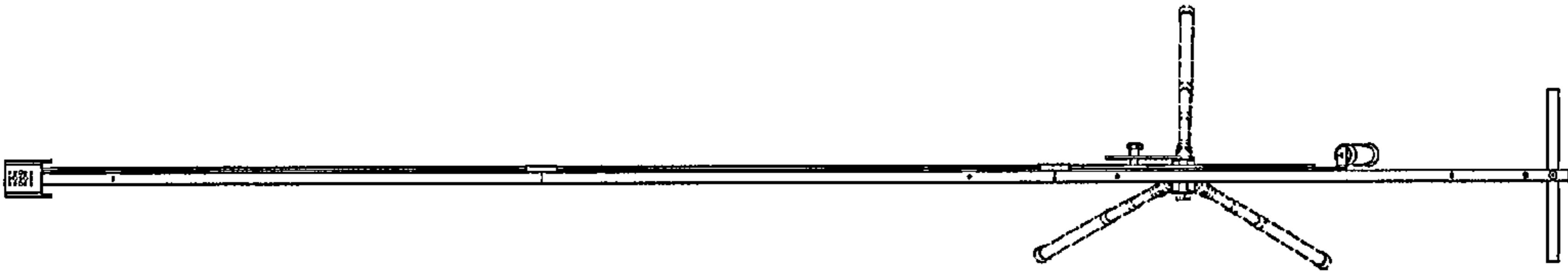


FIGURE 5



FIGURE 6

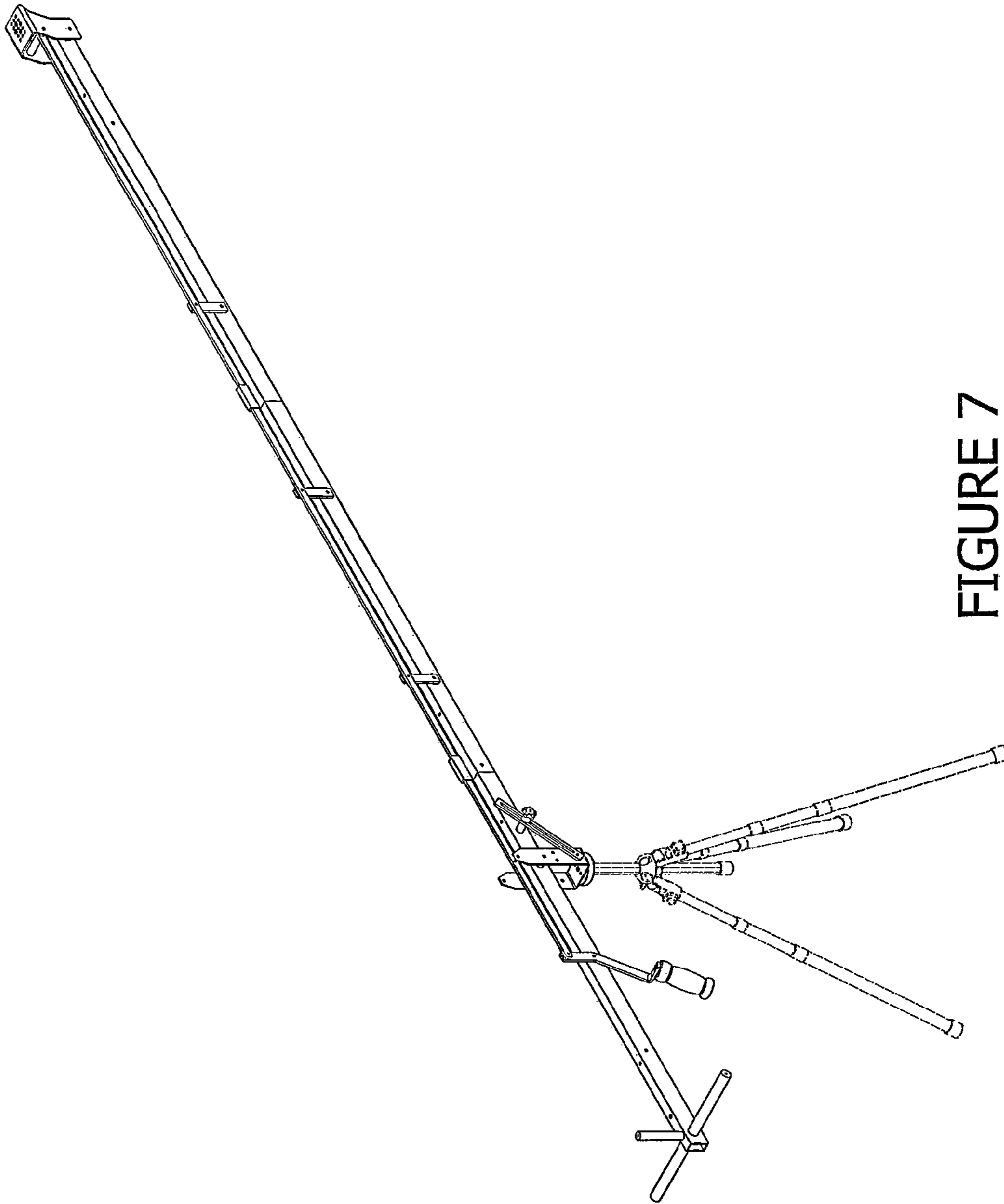


FIGURE 7