



US00D722636S

(12) **United States Design Patent**
Ishibashi et al.

(10) **Patent No.:** **US D722,636 S**
(45) **Date of Patent:** **** Feb. 17, 2015**

(54) **PROJECTOR**

(71) Applicant: **Hitachi Maxell, Ltd.**, Osaka (JP)
(72) Inventors: **Atsushi Ishibashi**, Tokorozawa (JP);
Takashi Yamamoto, Kodaira (JP);
Kazumasa Ueoka, Yokohama (JP);
Toshiyuki Moriya, Tokorozawa (JP)

(73) Assignee: **Hitachi Maxell, Ltd.**, Osaka (JP)

(**) Term: **14 Years**

(21) Appl. No.: **29/467,778**

(22) Filed: **Sep. 24, 2013**

(30) **Foreign Application Priority Data**

Mar. 27, 2013 (JP) 2013-006828

(51) **LOC (10) Cl.** **16-02**

(52) **U.S. Cl.**
USPC **D16/230; D16/225**

(58) **Field of Classification Search**
USPC D16/221, 225, 230–231, 234–235, 205,
D16/208; D21/514; 352/34, 242; 353/115,
353/119, 122

See application file for complete search history.

(56) **References Cited**

U.S. PATENT DOCUMENTS

D451,941 S * 12/2001 Takizawa D16/230
D588,620 S * 3/2009 Kawabe et al. D16/230
7,850,309 B2 * 12/2010 Hirouchi et al. 353/52
D667,480 S * 9/2012 Yamada et al. D16/230
D668,702 S * 10/2012 Azuma et al. D16/230
8,398,250 B2 * 3/2013 Adachi et al. 353/119
D680,150 S * 4/2013 Kawaguchi et al. D16/230

FOREIGN PATENT DOCUMENTS

CN 301276361 * 6/2010

* cited by examiner

Primary Examiner — Wan Laymon

(74) *Attorney, Agent, or Firm* — Antonelli, Terry, Stout & Kraus, LLP.

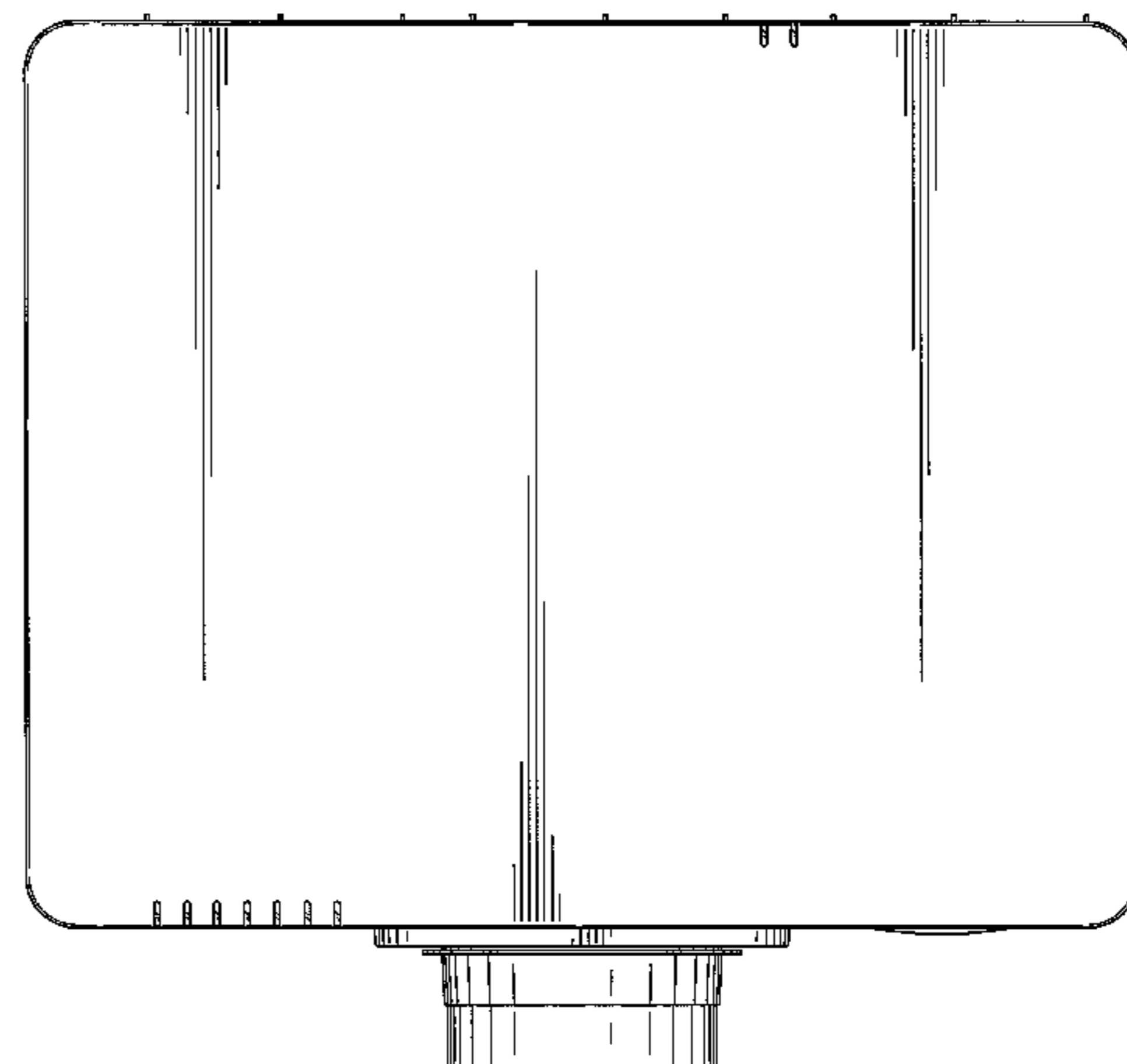
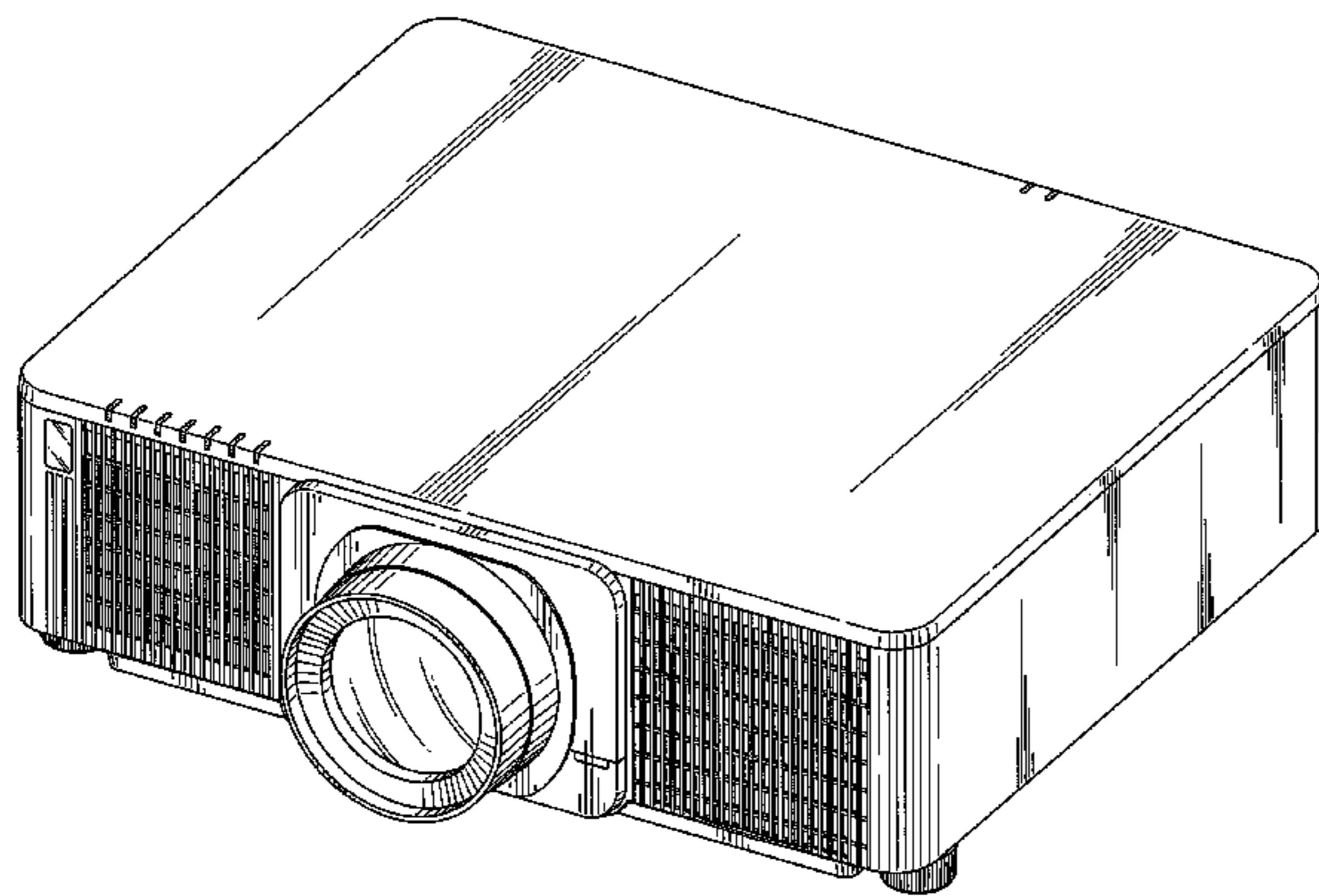
(57) **CLAIM**

We claim the ornamental design for a projector, as shown.

DESCRIPTION

FIG. 1 is a front, top and right side perspective view of a projector showing our new design;
FIG. 2 is a front elevational view thereof;
FIG. 3 is a rear elevational view thereof;
FIG. 4 is a left side elevational view thereof;
FIG. 5 is a right side elevational view thereof;
FIG. 6 is a top plan view thereof; and,
FIG. 7 is a bottom plan view thereof.

1 Claim, 5 Drawing Sheets



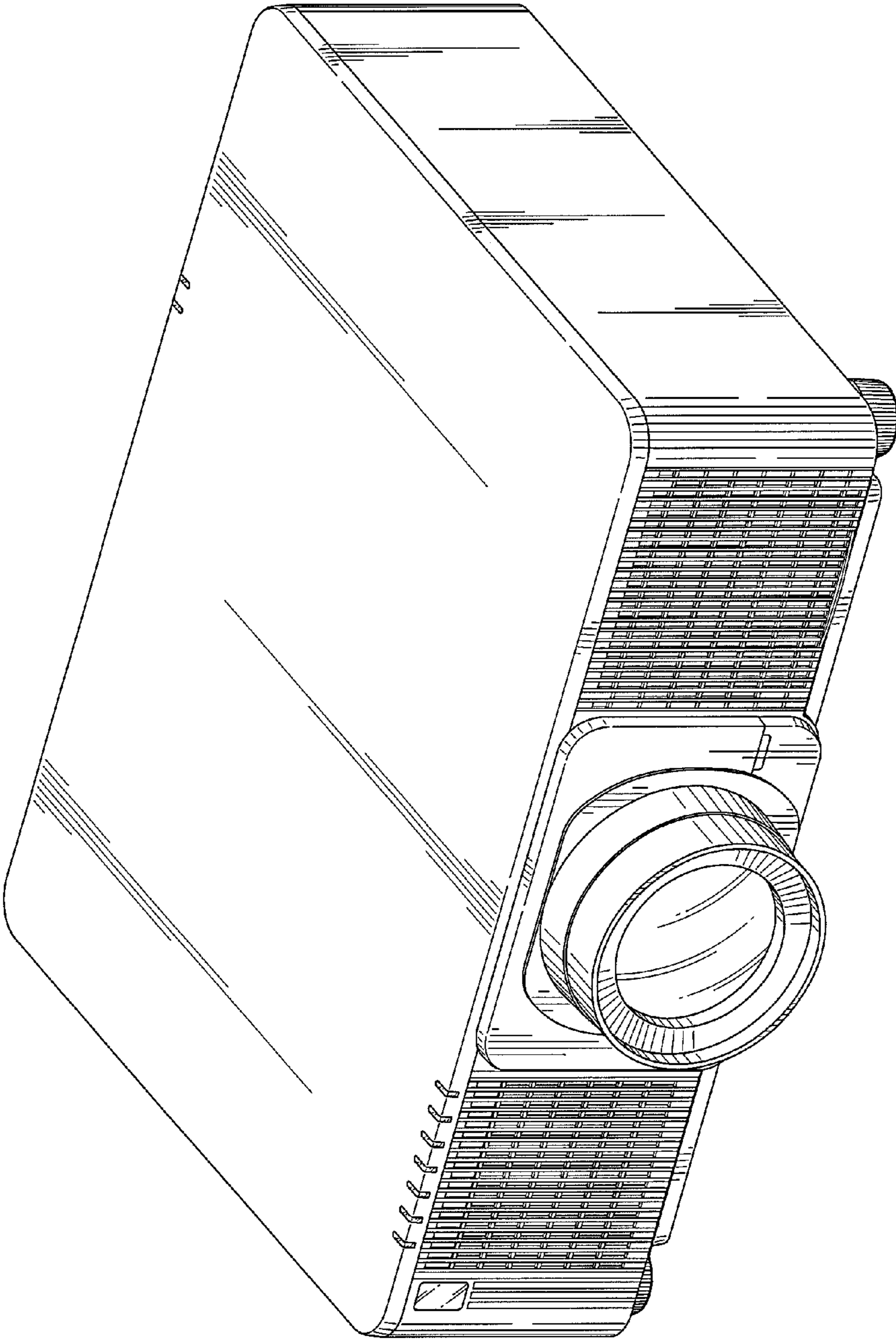


FIG. 1

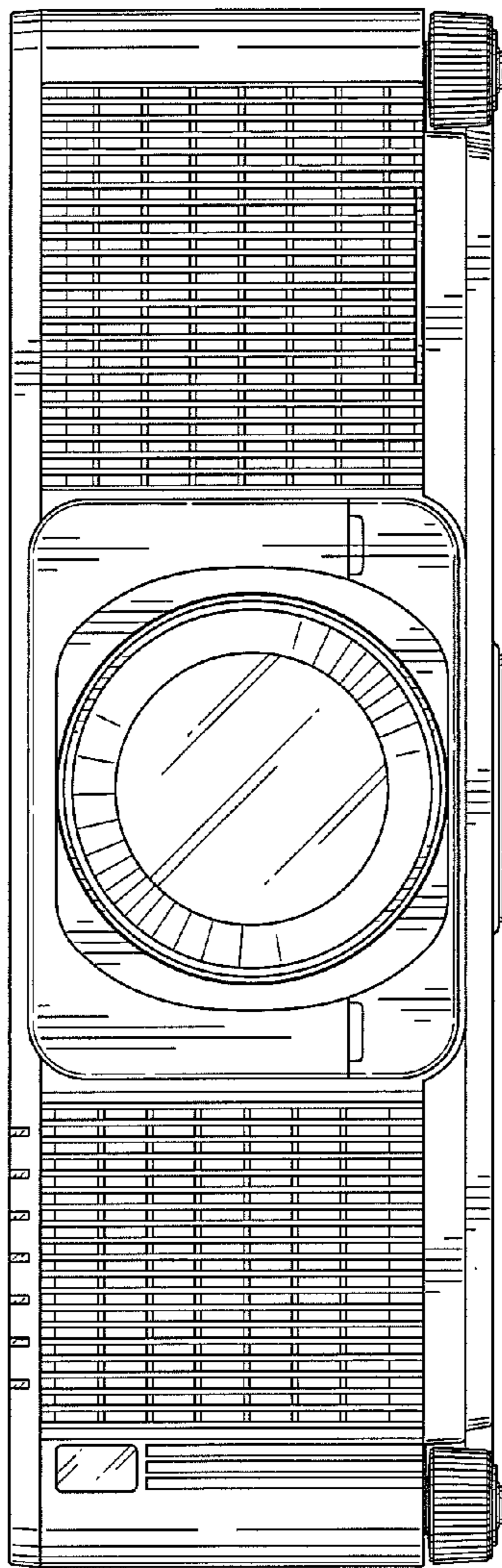


FIG. 2

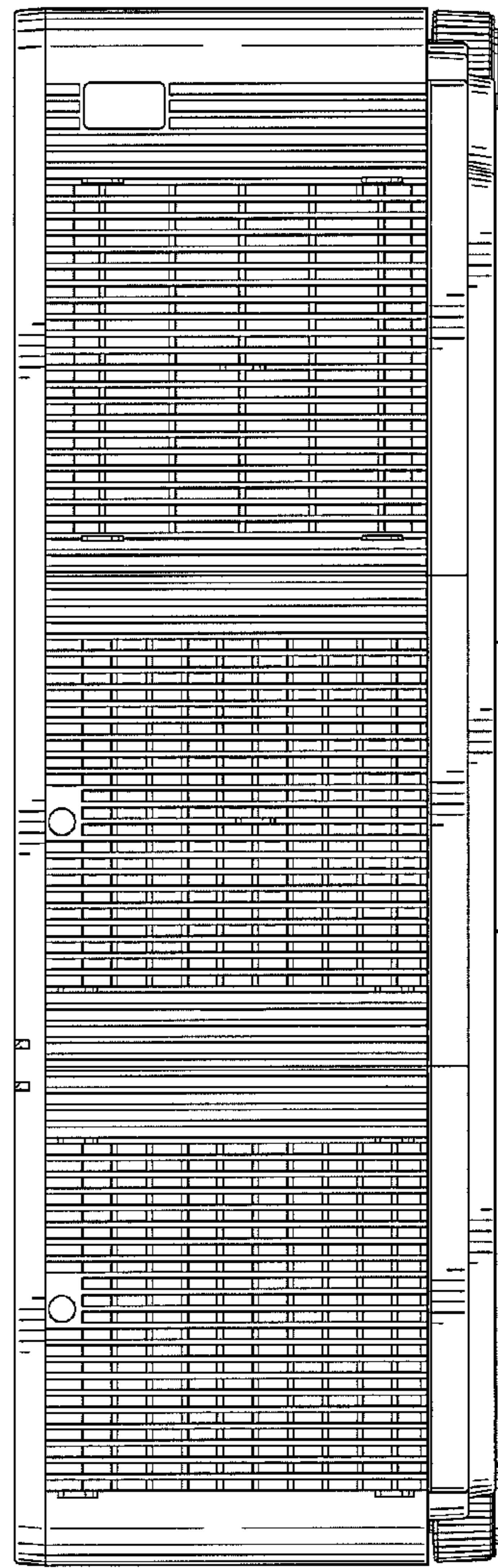


FIG. 3

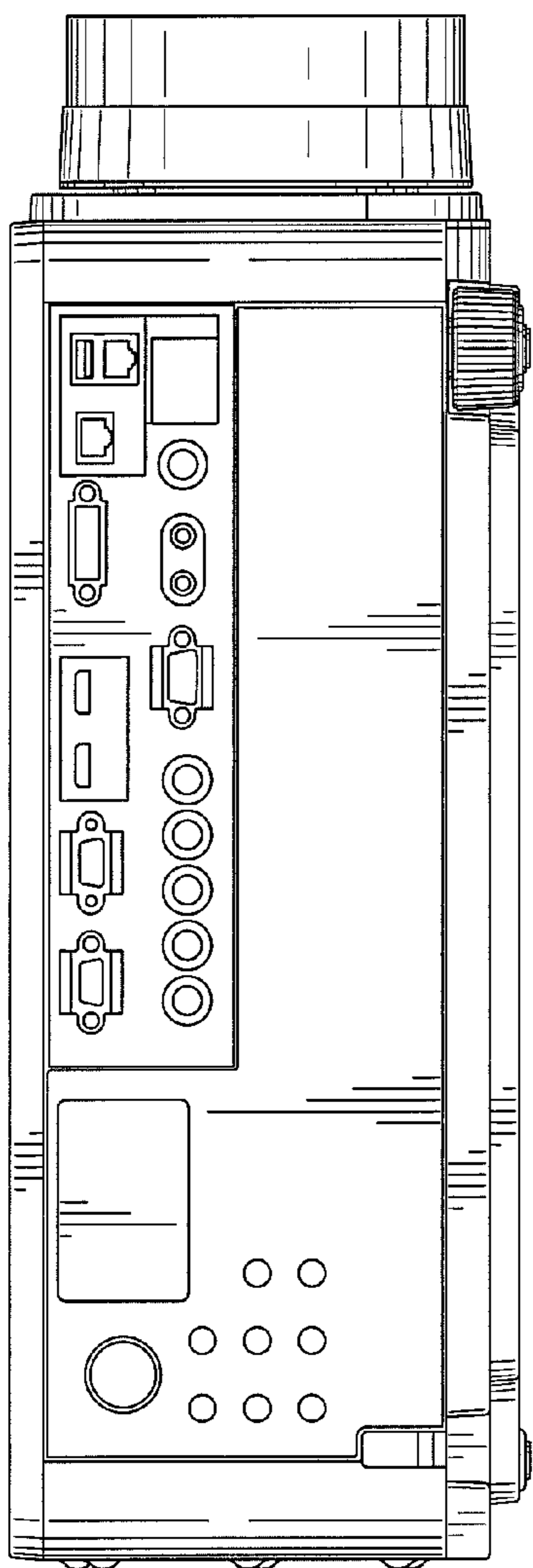


FIG. 4

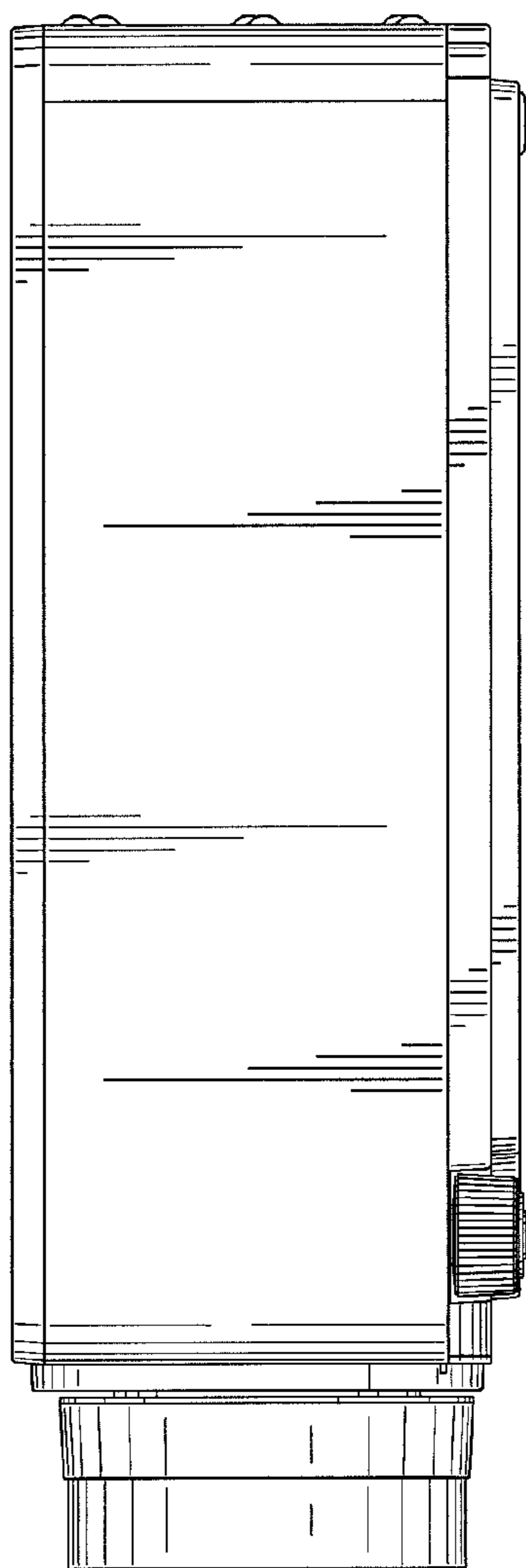


FIG. 5

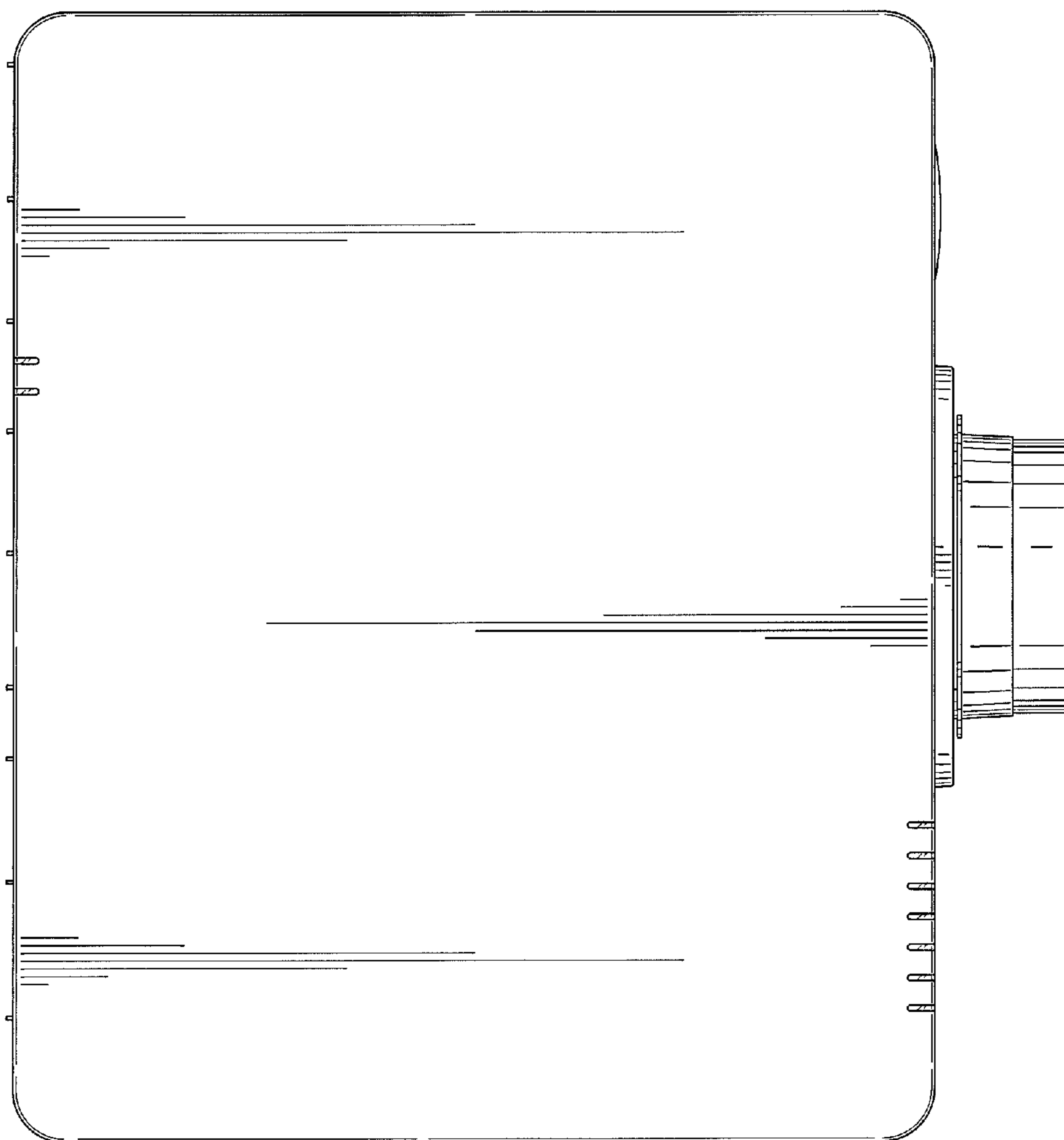


FIG. 6

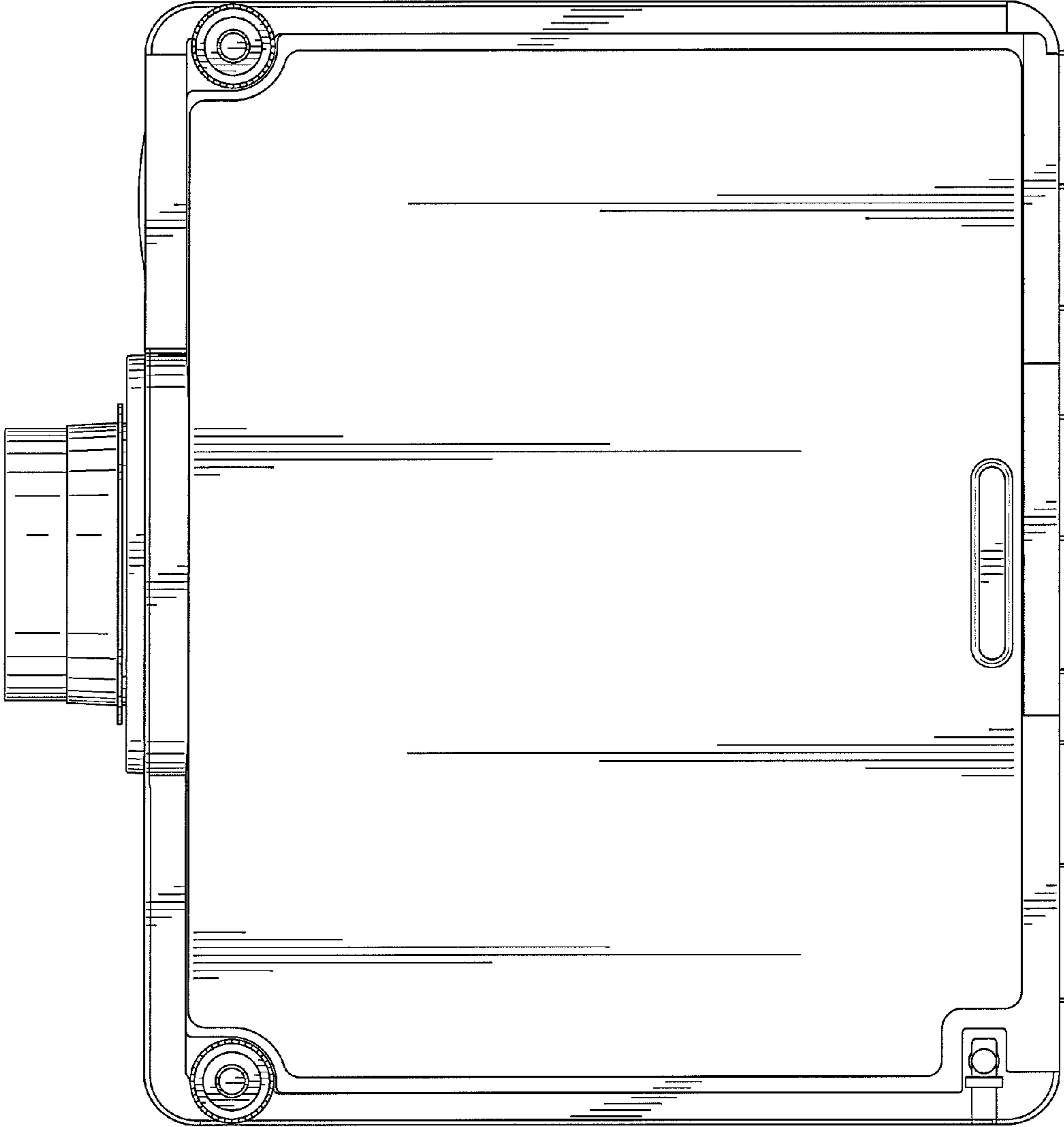


FIG. 7