



US00D722632S

(12) **United States Design Patent**
Stone et al.

(10) **Patent No.:** **US D722,632 S**
(45) **Date of Patent:** **** *Feb. 17, 2015**

(54) **MOBILE ROBOTIC PLATFORM**

(75) Inventors: **Jason Stone**, South San Francisco, CA (US); **Albert Shane**, Berkeley, CA (US); **Peter Privitera**, San Francisco, CA (US)

(73) Assignee: **Adept Technology, Inc.**, Pleasanton, CA (US)

(*) Notice: This patent is subject to a terminal disclaimer.

(**) Term: **14 Years**

(21) Appl. No.: **29/426,693**

(22) Filed: **Jul. 9, 2012**

(51) **LOC (10) Cl.** **15-99**

(52) **U.S. Cl.**
USPC **D15/199**; D12/1

(58) **Field of Classification Search**
USPC D12/1; D13/199; D15/199; D32/17, 18,
D32/31

See application file for complete search history.

(56) **References Cited**

U.S. PATENT DOCUMENTS

D410,660	S	*	6/1999	Kawaguchi	D15/199
6,925,357	B2		8/2005	Wang et al.		
D548,902	S	*	8/2007	Chun et al.	D32/21
D556,961	S		12/2007	Swyst et al.		
D586,959	S		2/2009	Geringer et al.		
7,650,013	B2		1/2010	Dietsch et al.		
7,693,654	B1		4/2010	Dietsch et al.		
D622,747	S	*	8/2010	Kobayashi et al.	D15/199
7,826,919	B2		11/2010	D'Andrea et al.		
7,894,939	B2		2/2011	Zini et al.		
7,912,633	B1		3/2011	Dietsch et al.		
D675,656	S	*	2/2013	Sutherland et al.	D15/199
8,401,275	B2		3/2013	Wang et al.		
D704,400	S	*	5/2014	Shin et al.	D32/21

FOREIGN PATENT DOCUMENTS

EP 1590272 B1 8/2010

OTHER PUBLICATIONS

Mobile Robots, Inc., "What's New at IROS 2009!" Brochure, 2009.
PRWEB, "Swisslog's Autonomous Mobile Robots Available for Lease" Press Release, May 2010.

Swisslog Healthcare Solutions, At-A-Glance Robocourier Brochure, 2011.

Adept Technology, Inc., PatrolBot Datasheet, 2011.

Adept Technology, Inc., MT400 Datasheet, 2012.

Design U.S. Appl. No. 29/426,692, Mobile Robotic Platform, Jul. 9, 2012.

Design U.S. Appl. No. 29/426,694, Mobile Robotic Platform, Jul. 9, 2012.

Design U.S. Appl. No. 29/426,695, Mobile Robotic Platform, Jul. 9, 2012.

Design U.S. Appl. No. 29/426,696, Surface Pattern for Mobile Robotic Platform, Jul. 9, 2012.

* cited by examiner

Primary Examiner — Patricia Palasik

(74) *Attorney, Agent, or Firm* — Law Offices of Grady L. White, LLC

(57) **CLAIM**

The ornamental design for a mobile robotic platform, as shown and described.

DESCRIPTION

FIG. 1 is a front perspective view of a mobile robotic platform showing the claimed design in accordance with the present invention;

FIG. 2 is a left side elevational view thereof;

FIG. 3 is a right side elevational view thereof;

FIG. 4 is a rear perspective view thereof;

FIG. 5 is a rear elevational view thereof;

FIG. 6 is a front elevational view thereof;

FIG. 7 is a top plan view thereof;

FIG. 8 is an exemplary diagram showing the nature and environment of use for an embodiment of the mobile robotic platform in accordance with the present invention.

FIG. 9 is a front perspective view of another embodiment of a mobile robotic platform in accordance with the present invention;

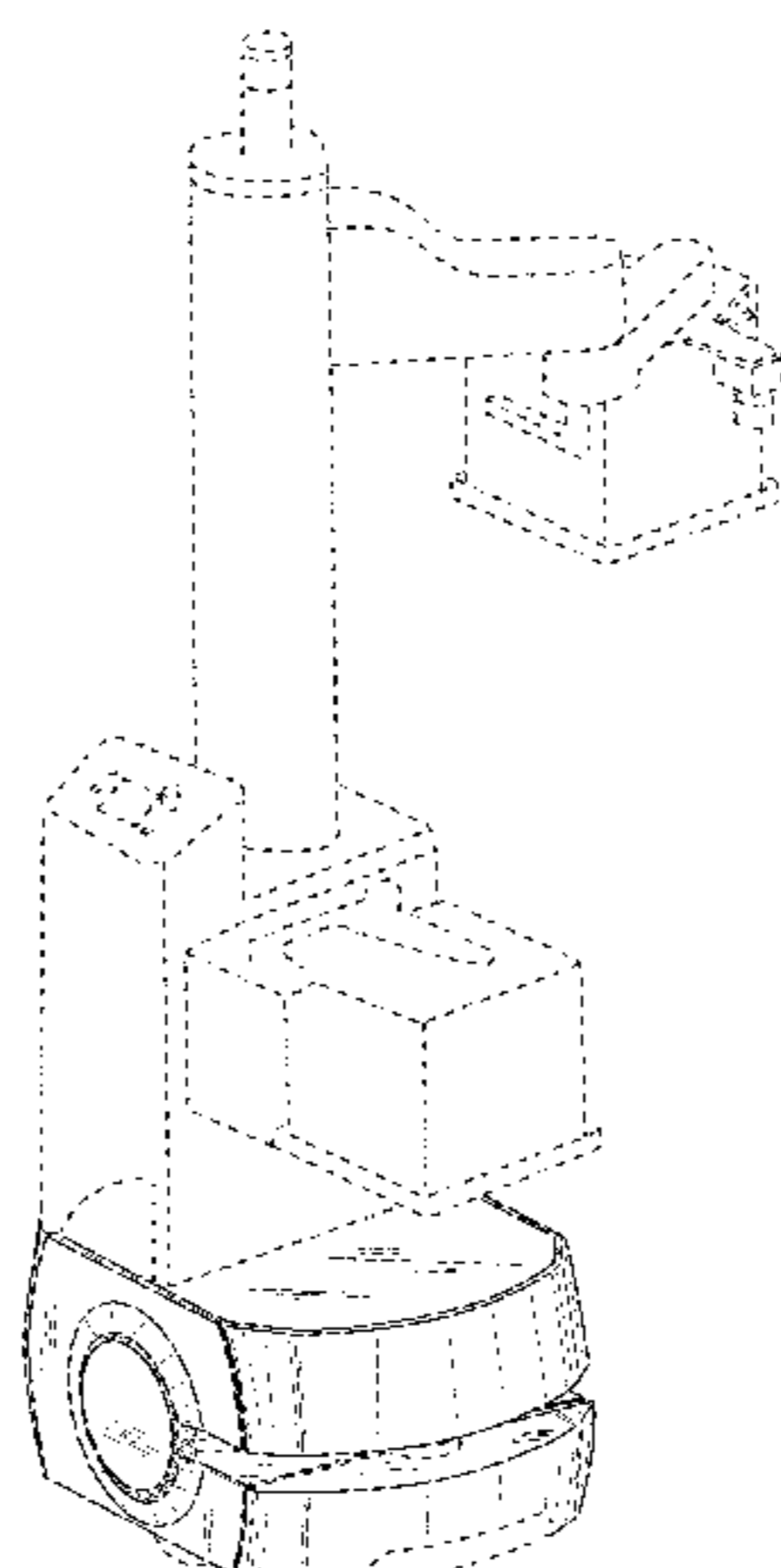


FIG. 10 is a left side elevational view of the mobile robotic platform in FIG. 9;
FIG. 11 is a right side elevational view thereof;
FIG. 12 is a rear perspective view thereof;
FIG. 13 is a rear elevational view thereof;
FIG. 14 is a front elevational view thereof;
FIG. 15 is a top plan view thereof;
FIG. 16 is an exemplary diagram showing the nature and environment of use for the embodiment of the mobile robotic platform shown in FIG. 9.
FIG. 17 is a front perspective view of another embodiment of a mobile robotic platform in accordance with the present invention;
FIG. 18 is a left side elevational view of the mobile robotic platform in FIG. 17;
FIG. 19 is a right side elevational view thereof;
FIG. 20 is a rear perspective view thereof;
FIG. 21 is a rear elevational view thereof;
FIG. 22 is a front elevational view thereof;
FIG. 23 is a top plan view thereof;
FIG. 24 is an exemplary diagram showing the nature and environment of use for the embodiment of the mobile robotic platform shown in FIG. 17.
FIG. 25 is a front perspective view of another mobile robotic platform in accordance with the present invention;
FIG. 26 is a left side elevational view of the mobile robotic platform in FIG. 25;

FIG. 27 is a right side elevational view thereof;
FIG. 28 is a rear perspective view thereof;
FIG. 29 is a rear elevational view thereof;
FIG. 30 is a front elevational view thereof;
FIG. 31 is a top plan view thereof; and,
FIG. 32 is an exemplary diagram showing the nature and environment of use for the embodiment of the mobile robotic platform shown in FIG. 25.
As indicated in the title, the article of manufacture to which the ornamental design has been applied is a mobile robotic platform, also known as a mobile robot, mobile autonomous robot, robotic carrier or robotic transporter. The stippling in FIGS. 1, 2, 3, 4 and 8 represent a visible light effect or illumination, of any color or combination of colors, including white, which is a part of the claimed design. Broken lines, within the claimed design, that depict recesses, gaps and/or protrusions on the surface of the mobile robotic platform in some embodiments, are for illustrative purposes only and form no part of the claimed design. Broken lines representing a robotic manipulator affixed to the top of the mobile robotic platform and wheels underneath the mobile robotic platform are also for illustrative purposes only and form no part of the claimed design. The mobile robotic platform is not limited to the scale shown herein.

1 Claim, 32 Drawing Sheets

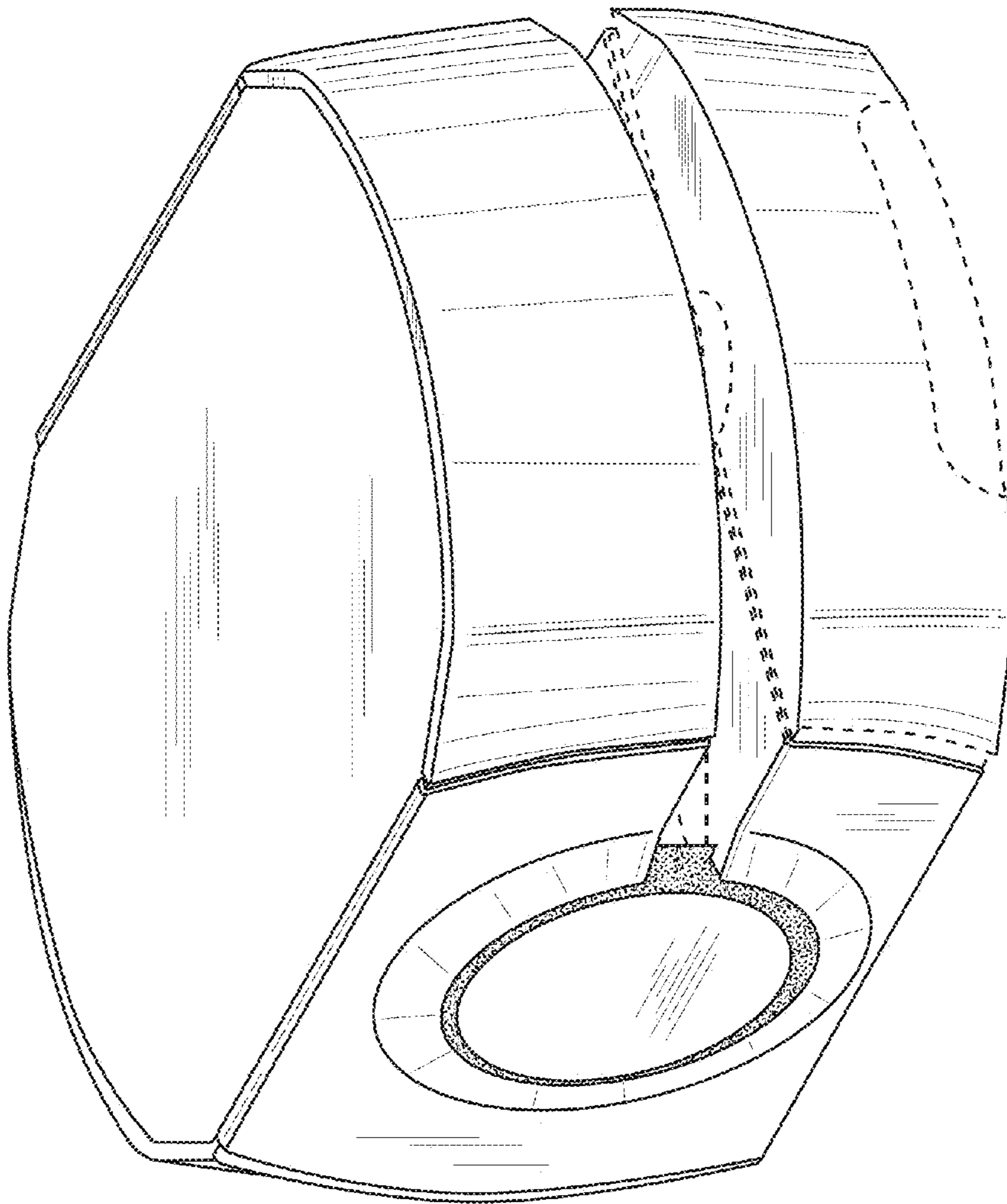


FIG. 1

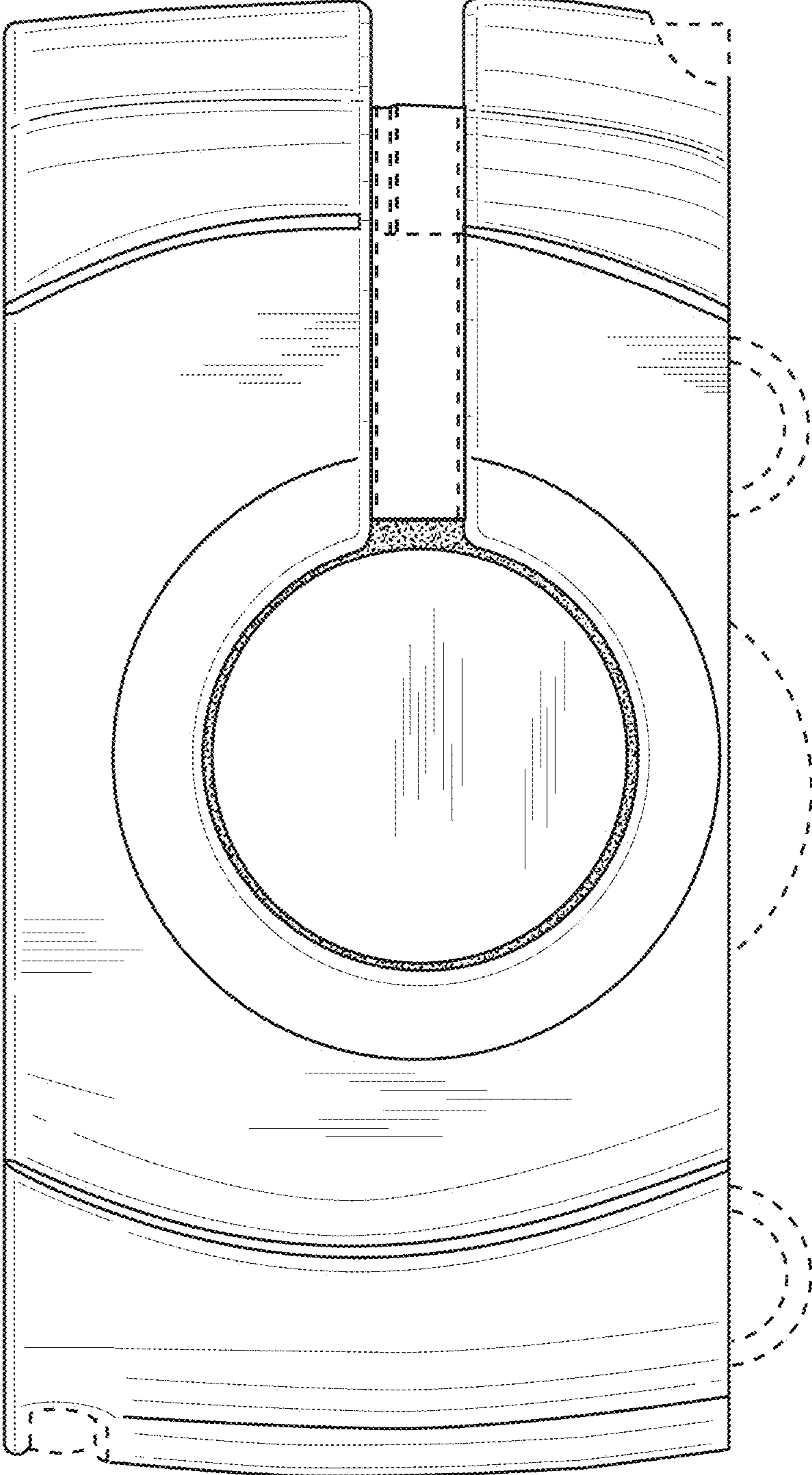


FIG. 2

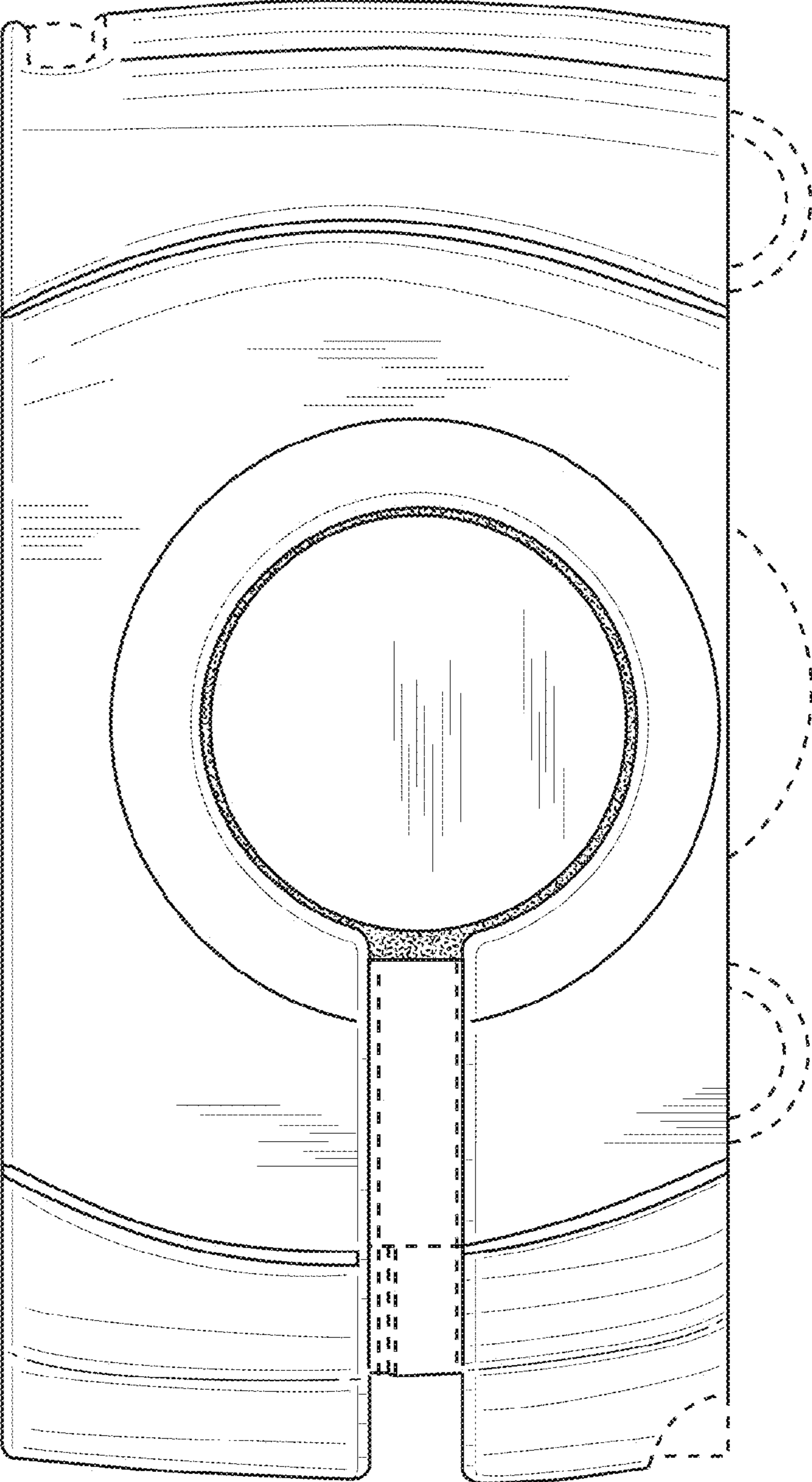


FIG. 3

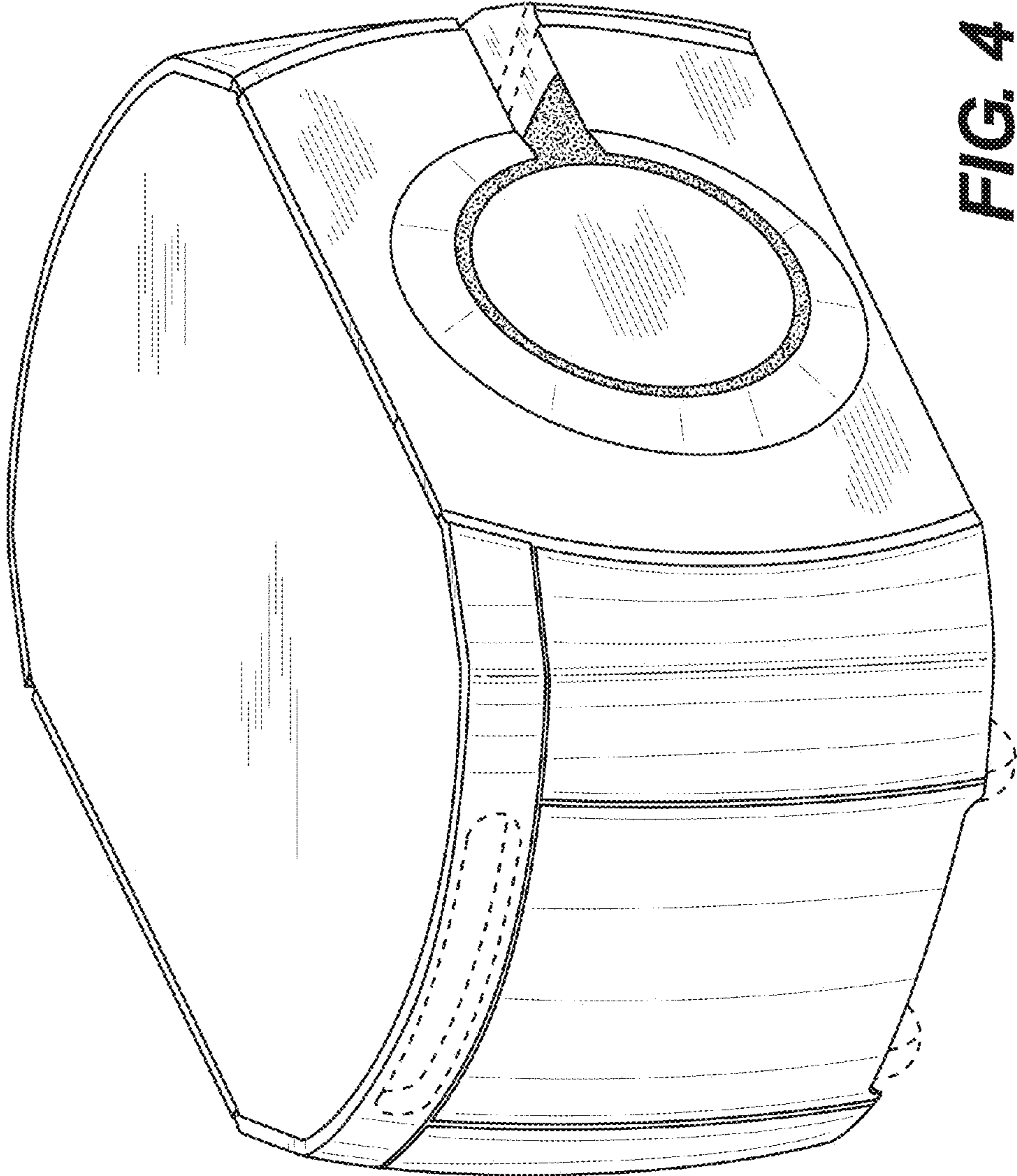


FIG. 4

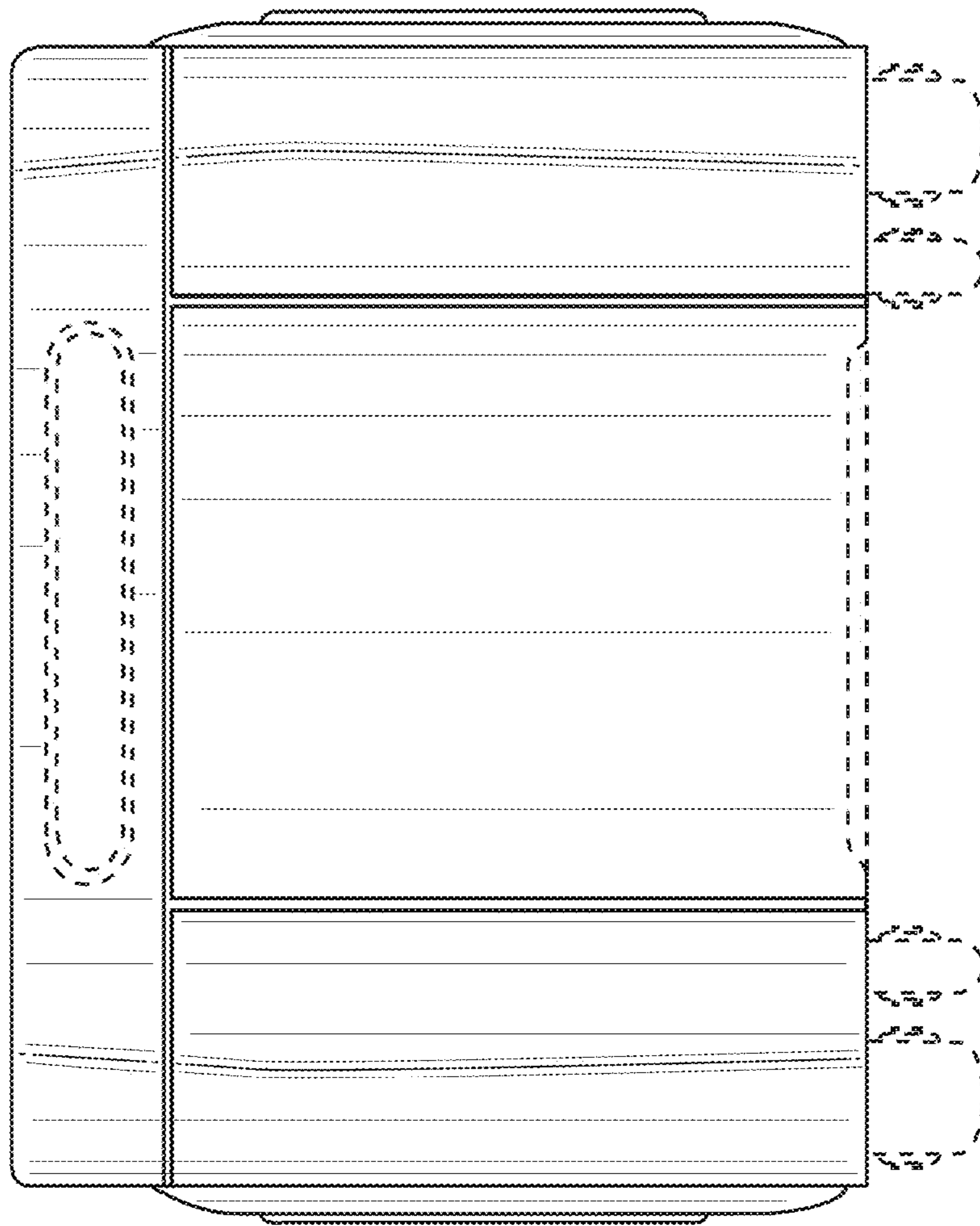


FIG. 5

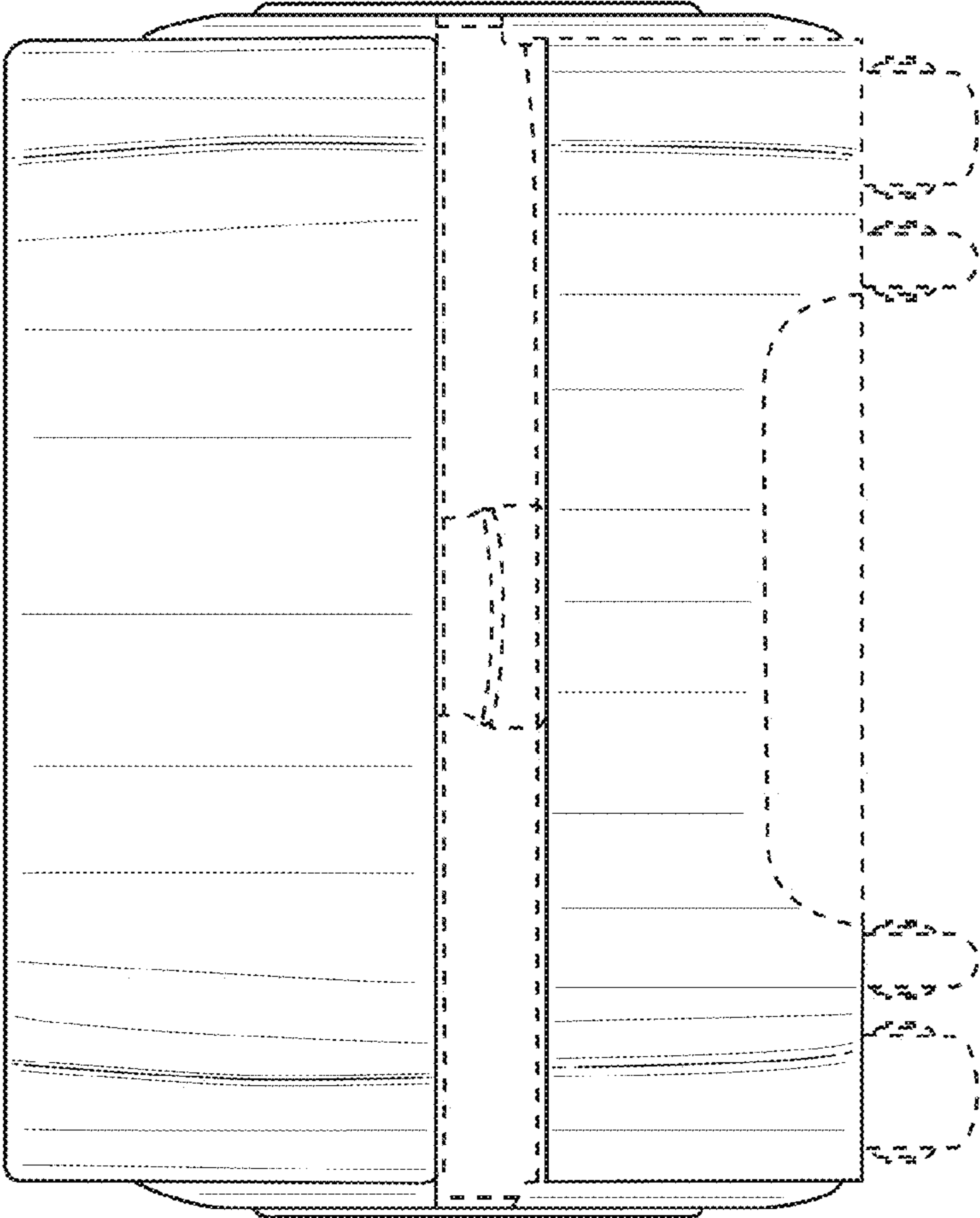


FIG. 6

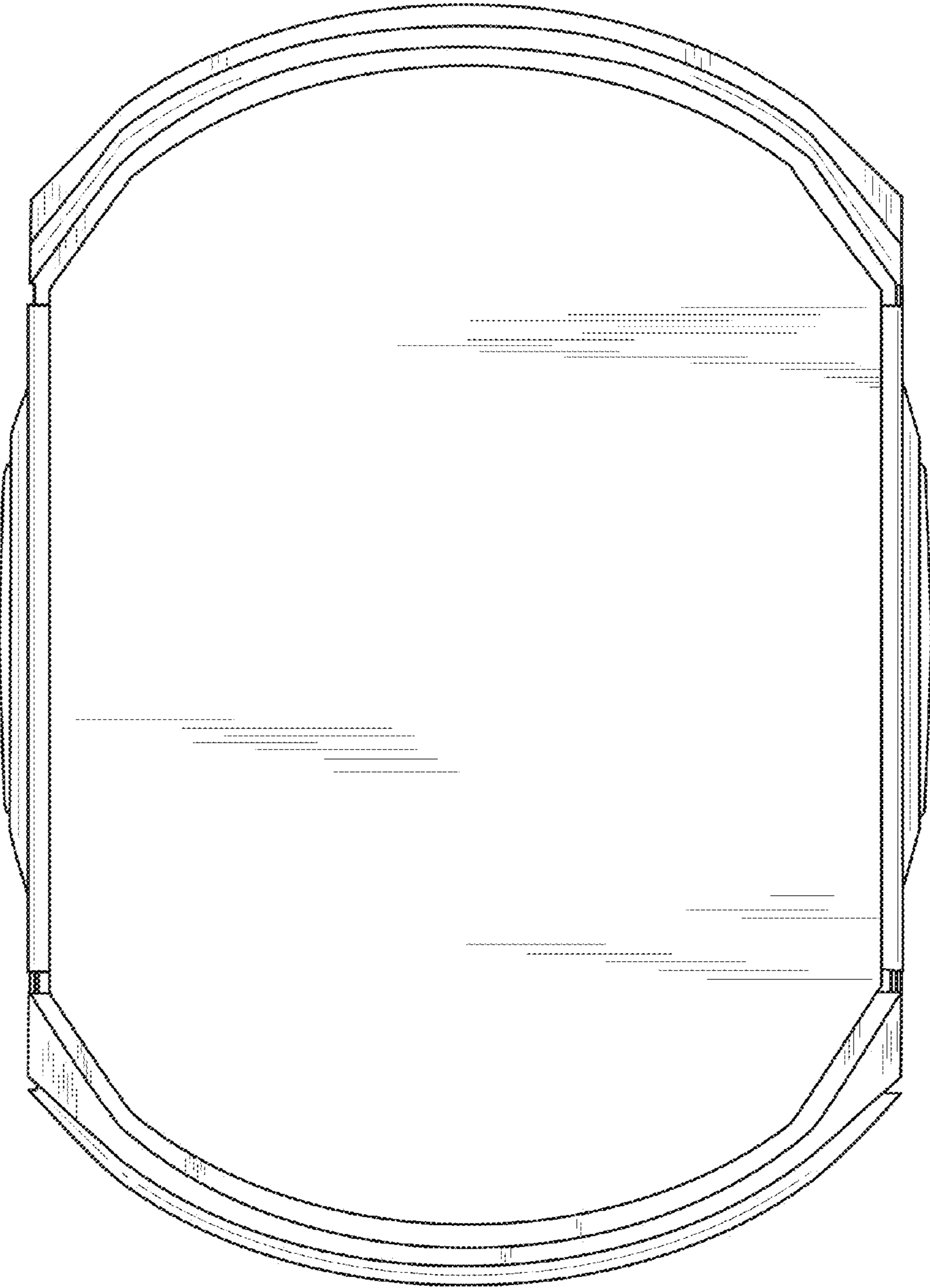


FIG. 7

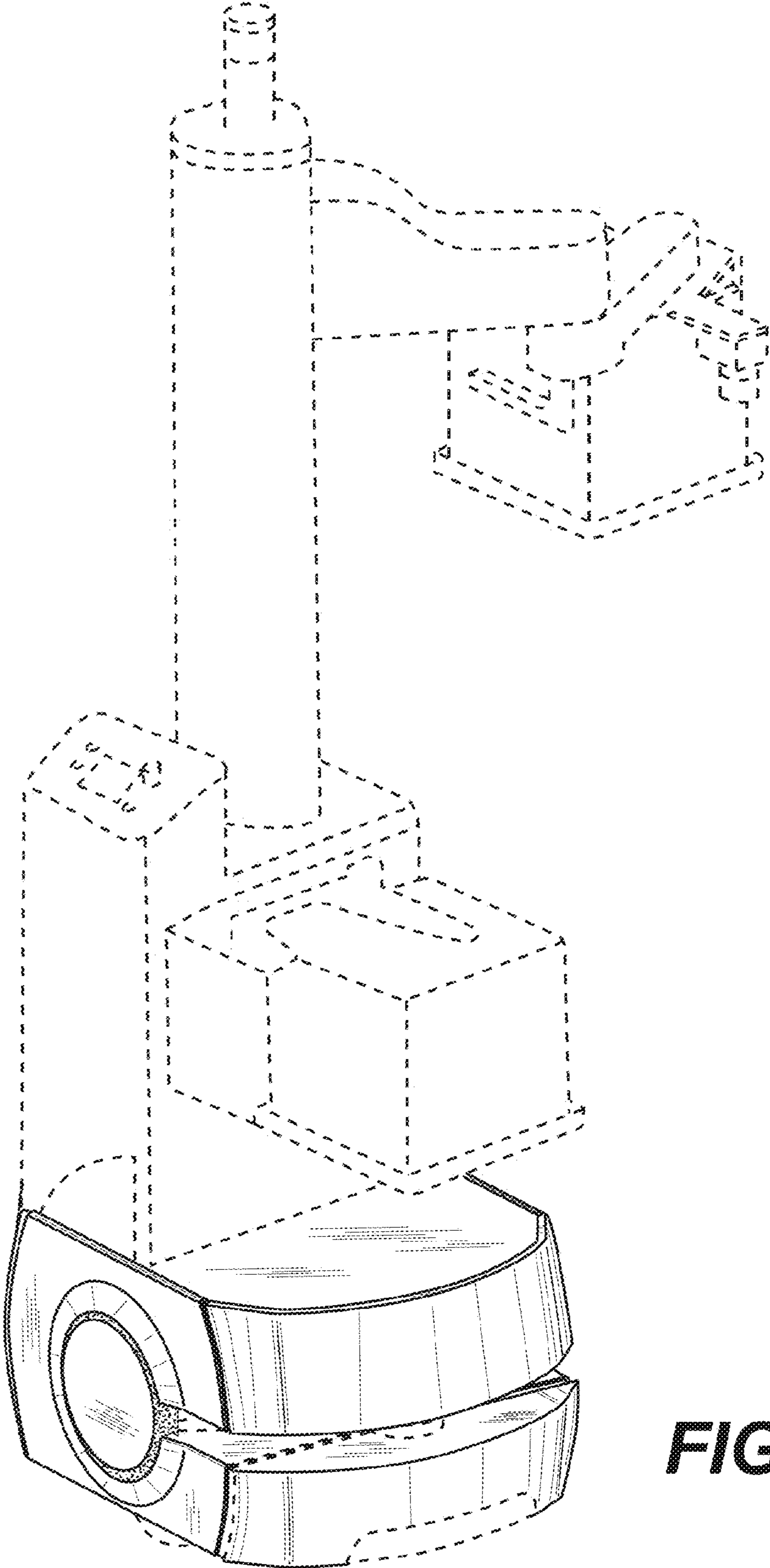


FIG. 8

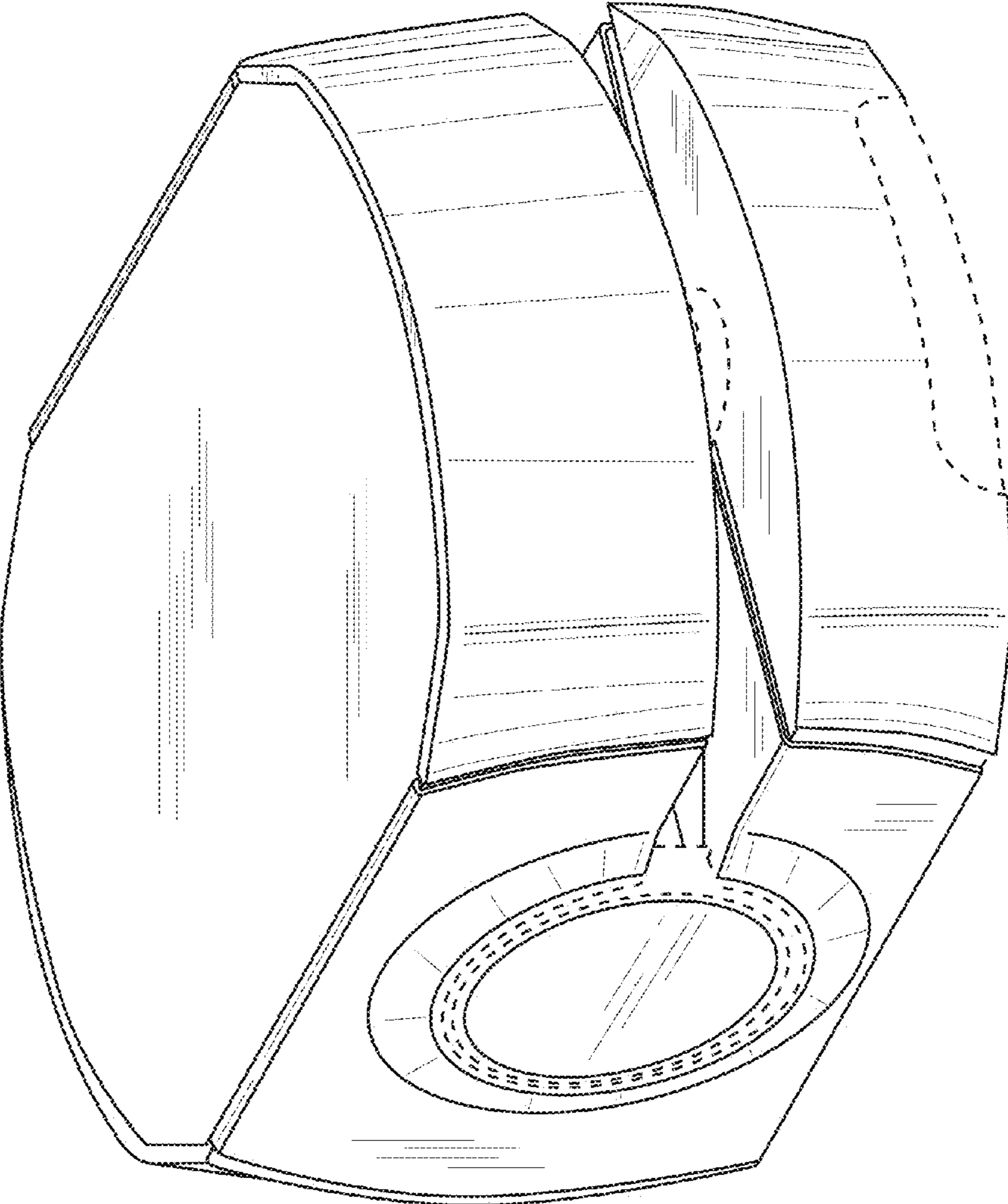


FIG. 9

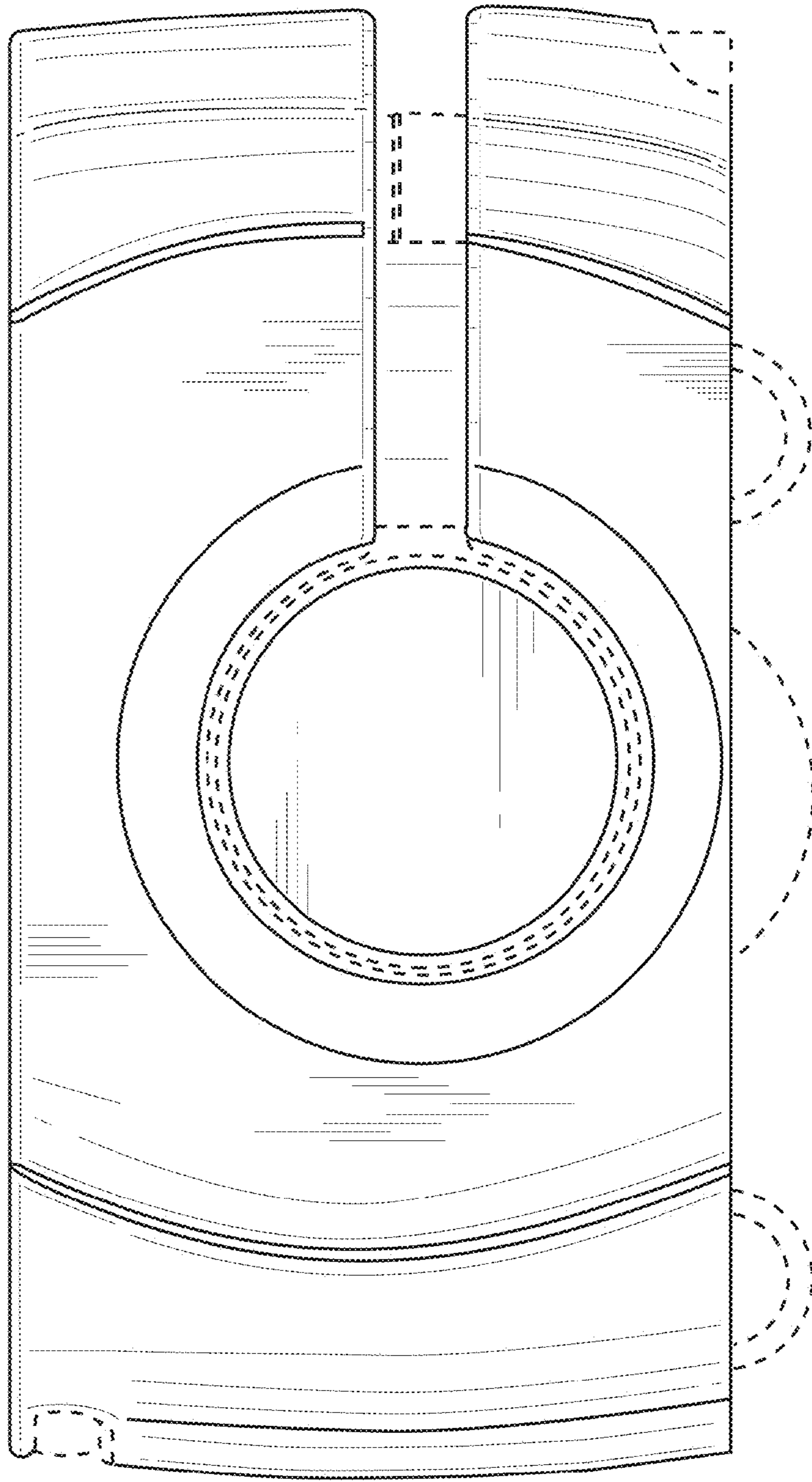


FIG. 10

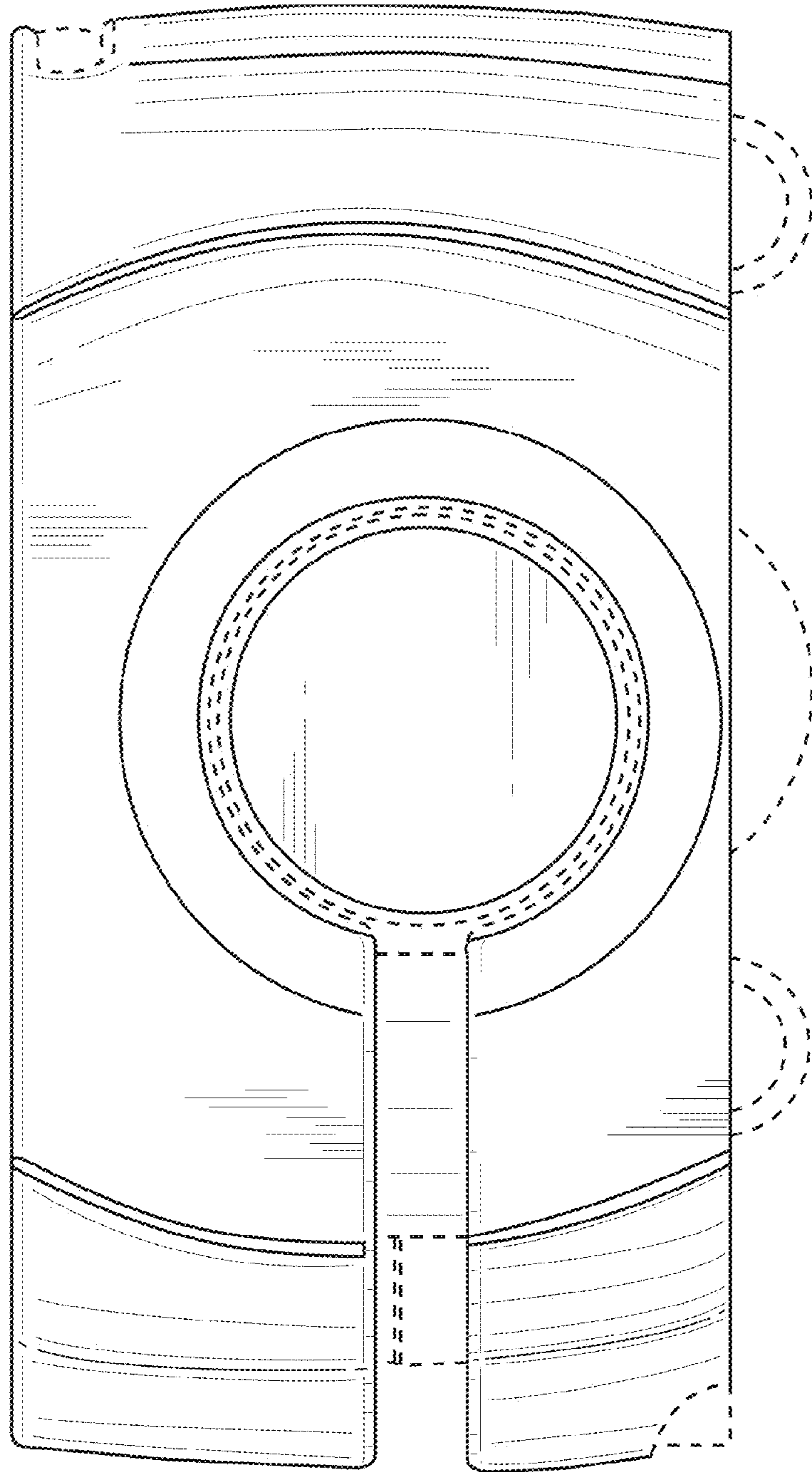


FIG. 11

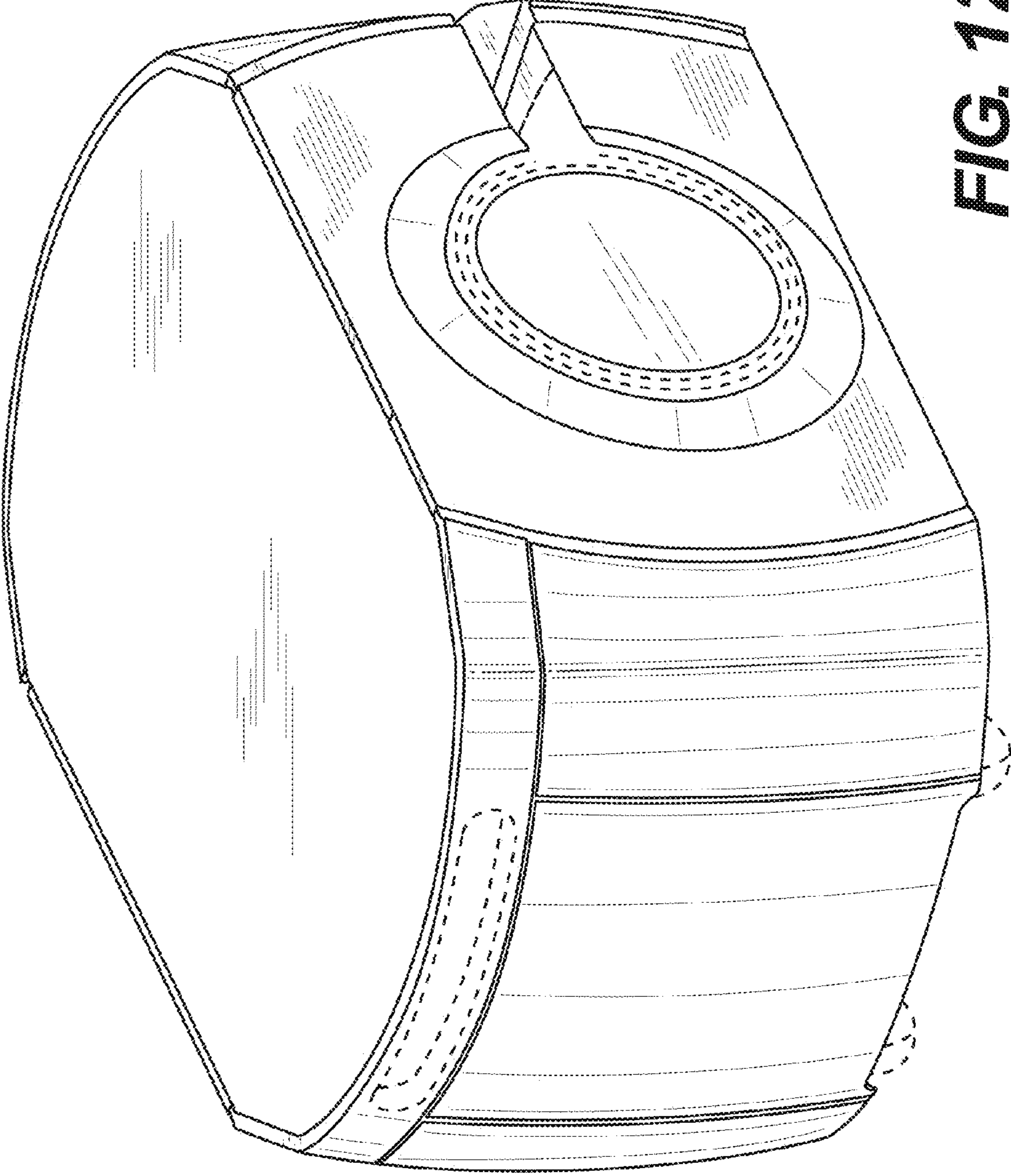


FIG. 12

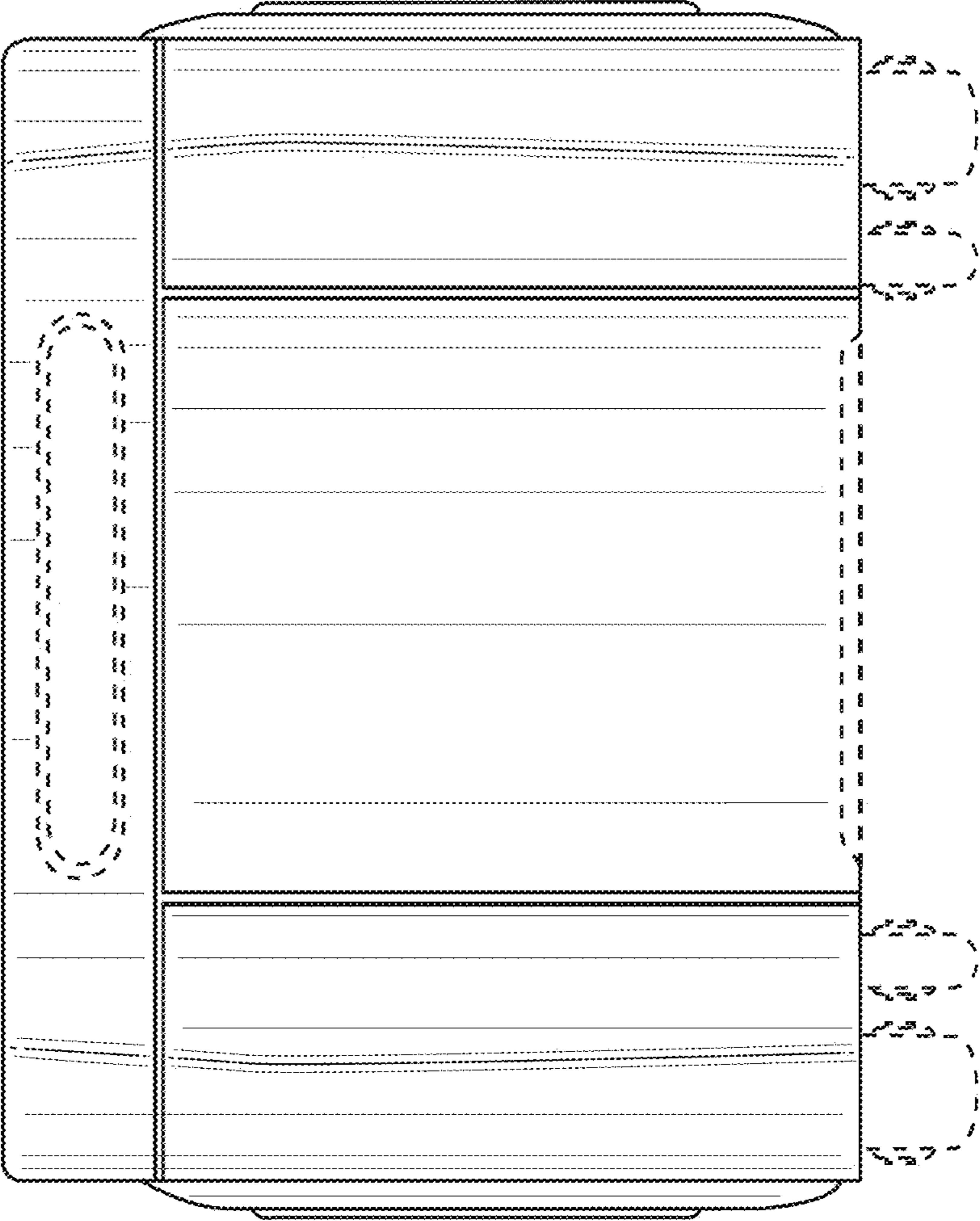


FIG. 13

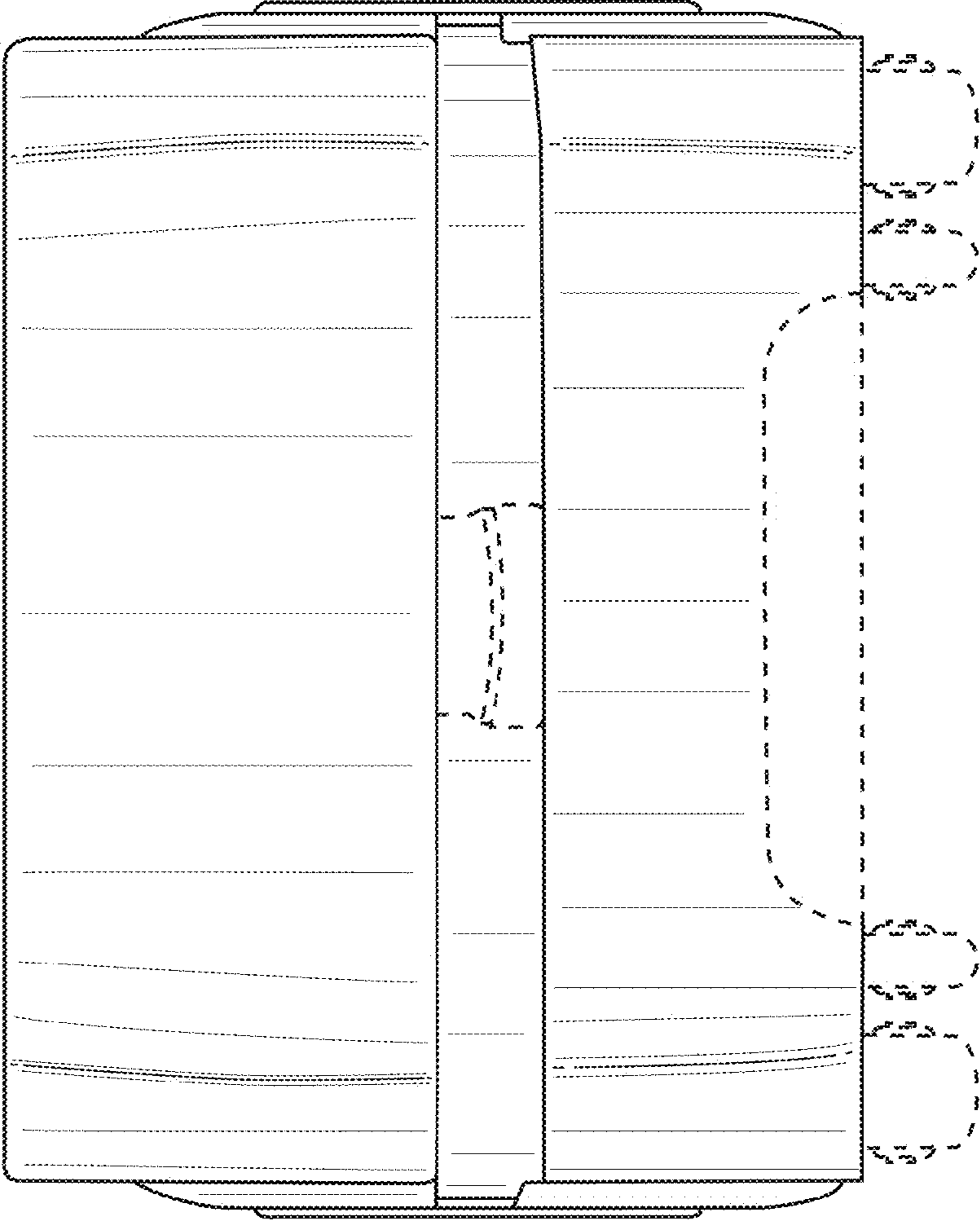


FIG. 14

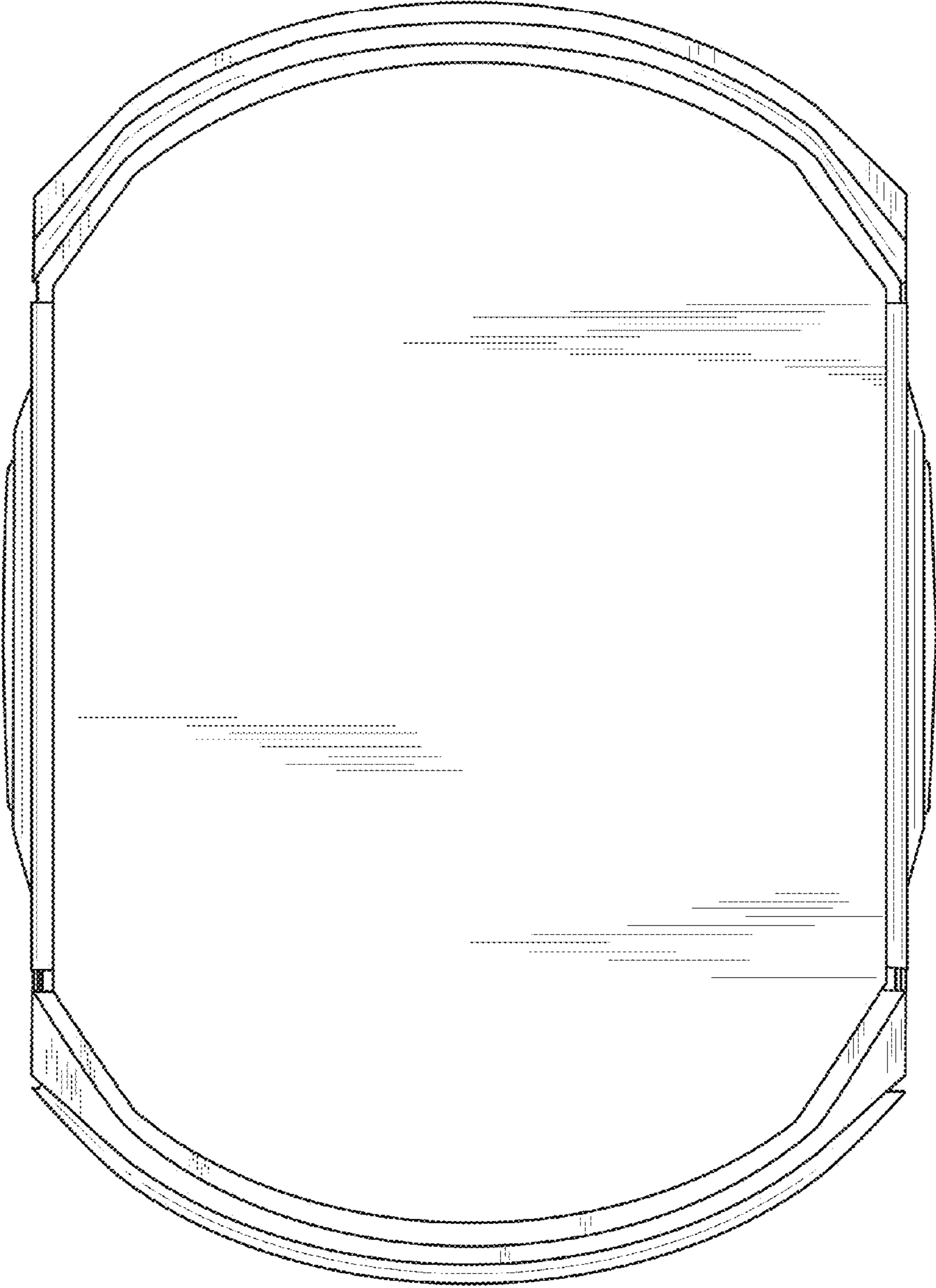


FIG. 15

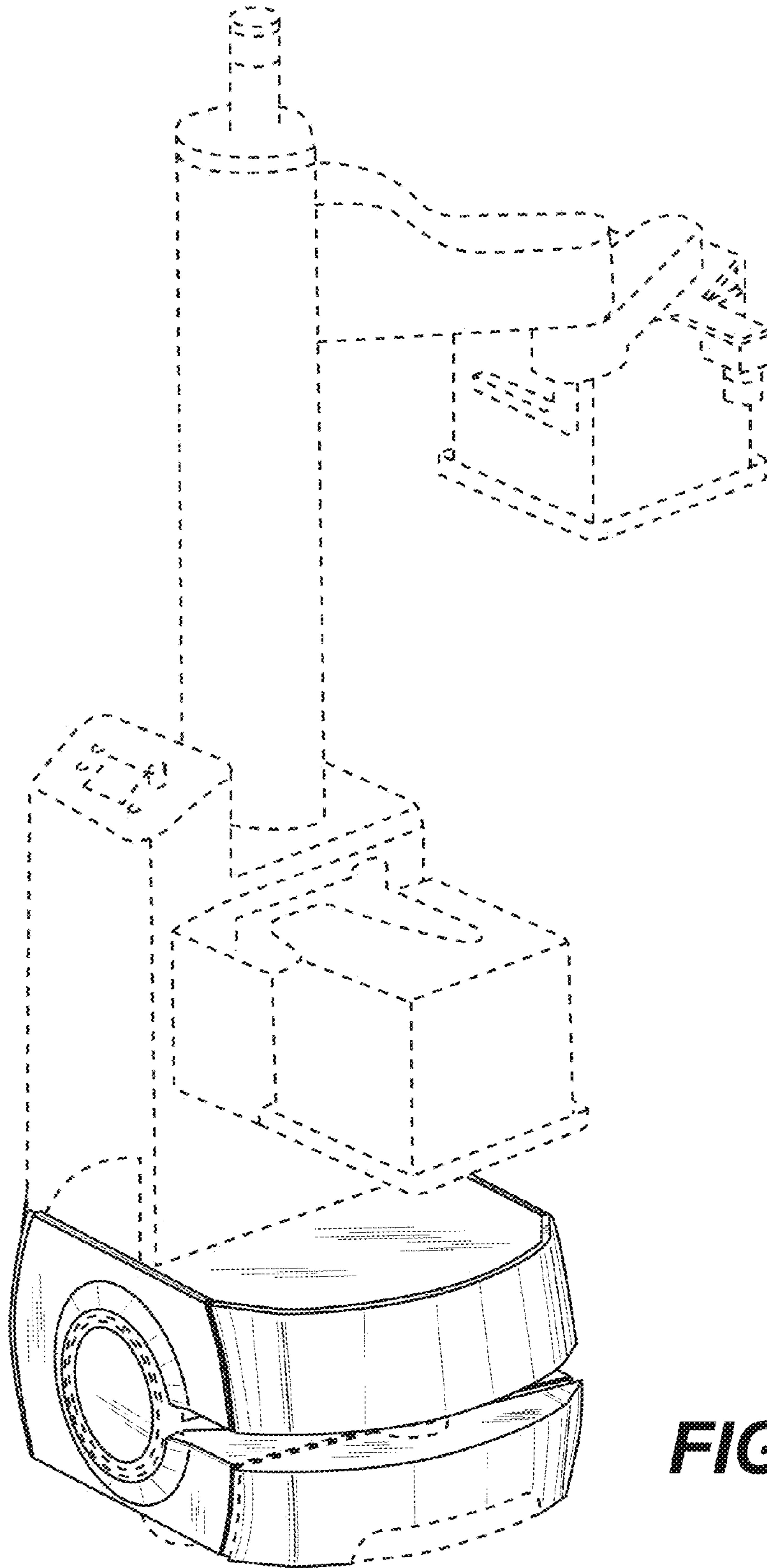


FIG. 16

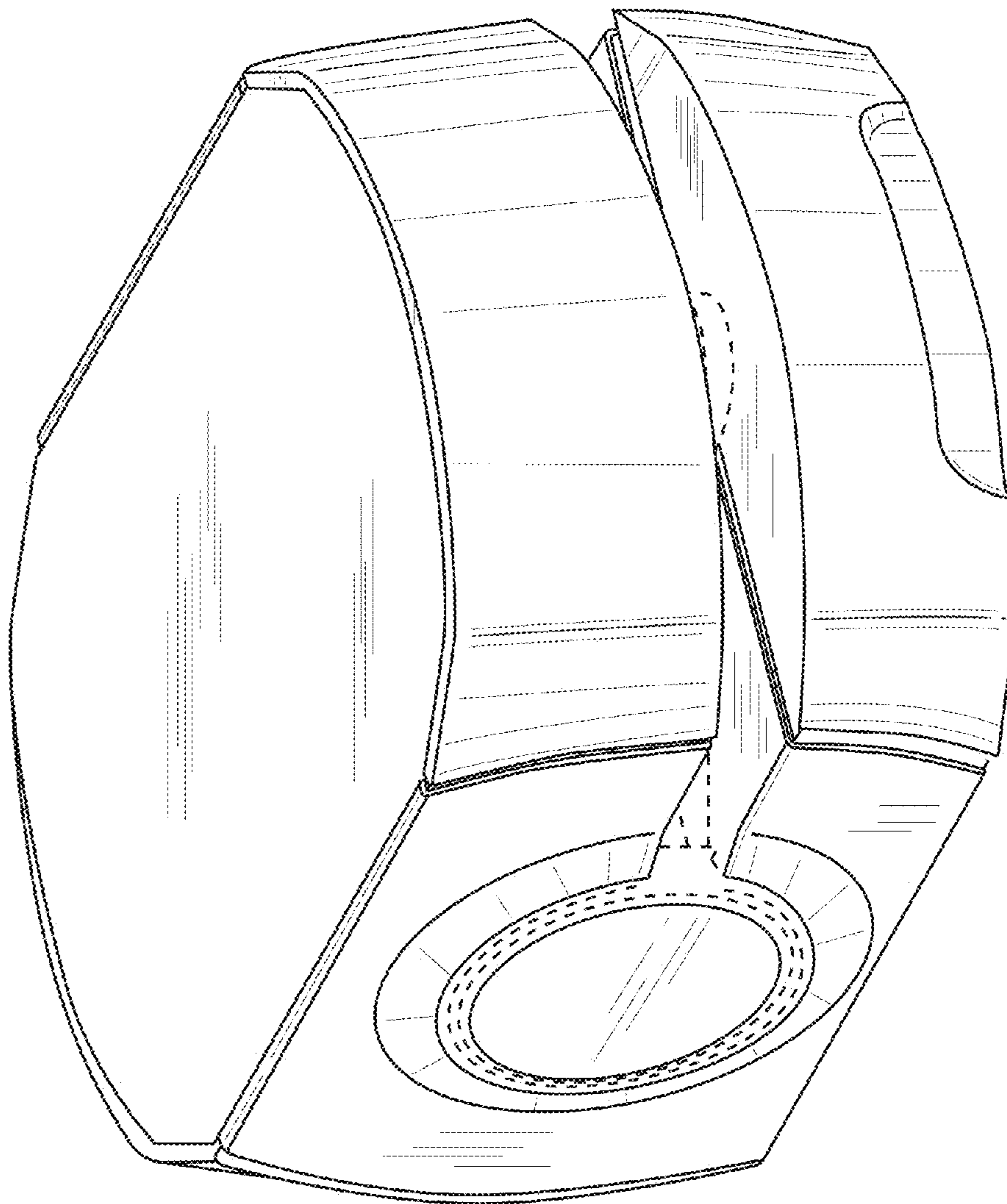


FIG. 17

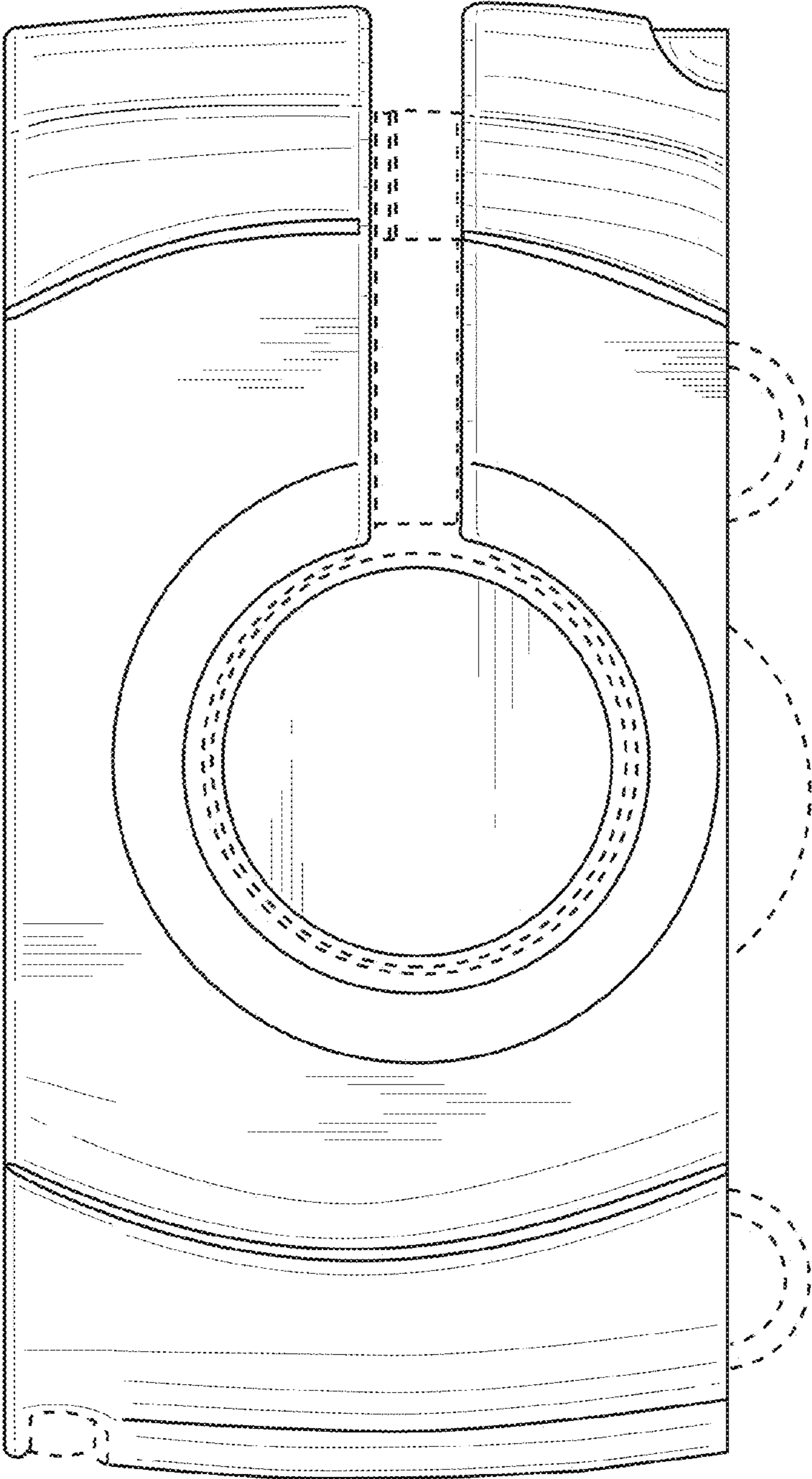


FIG. 18

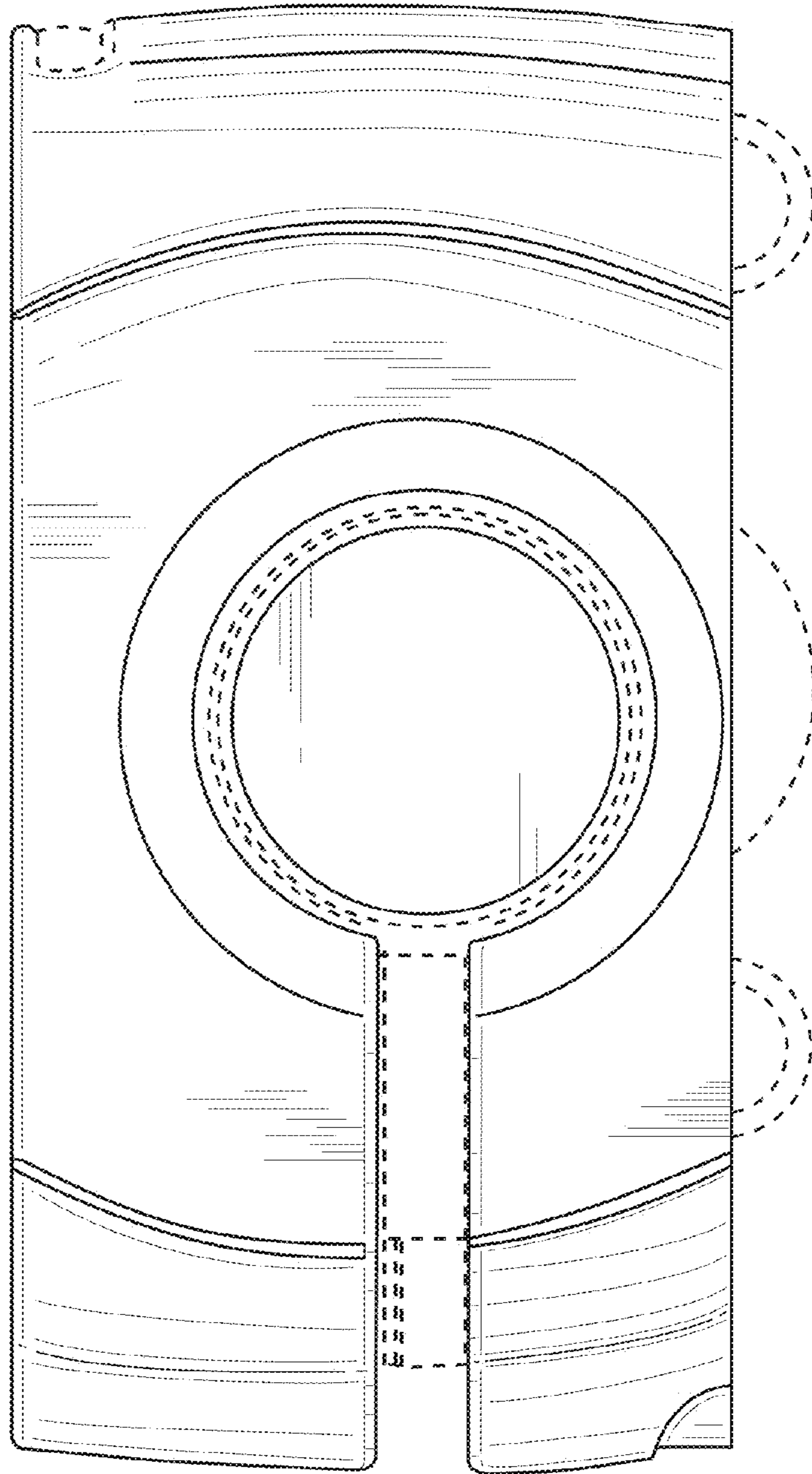


FIG. 19

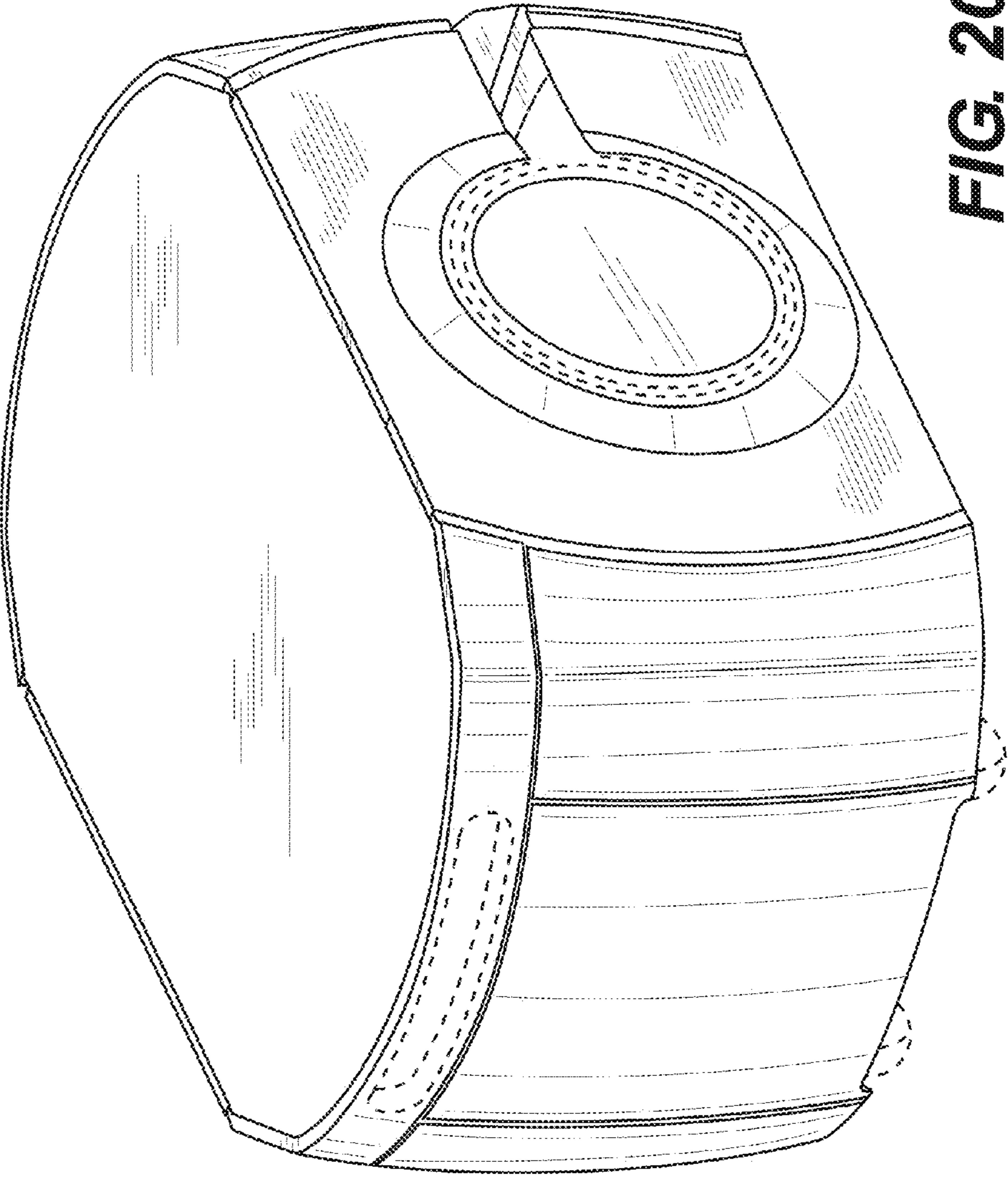


FIG. 20

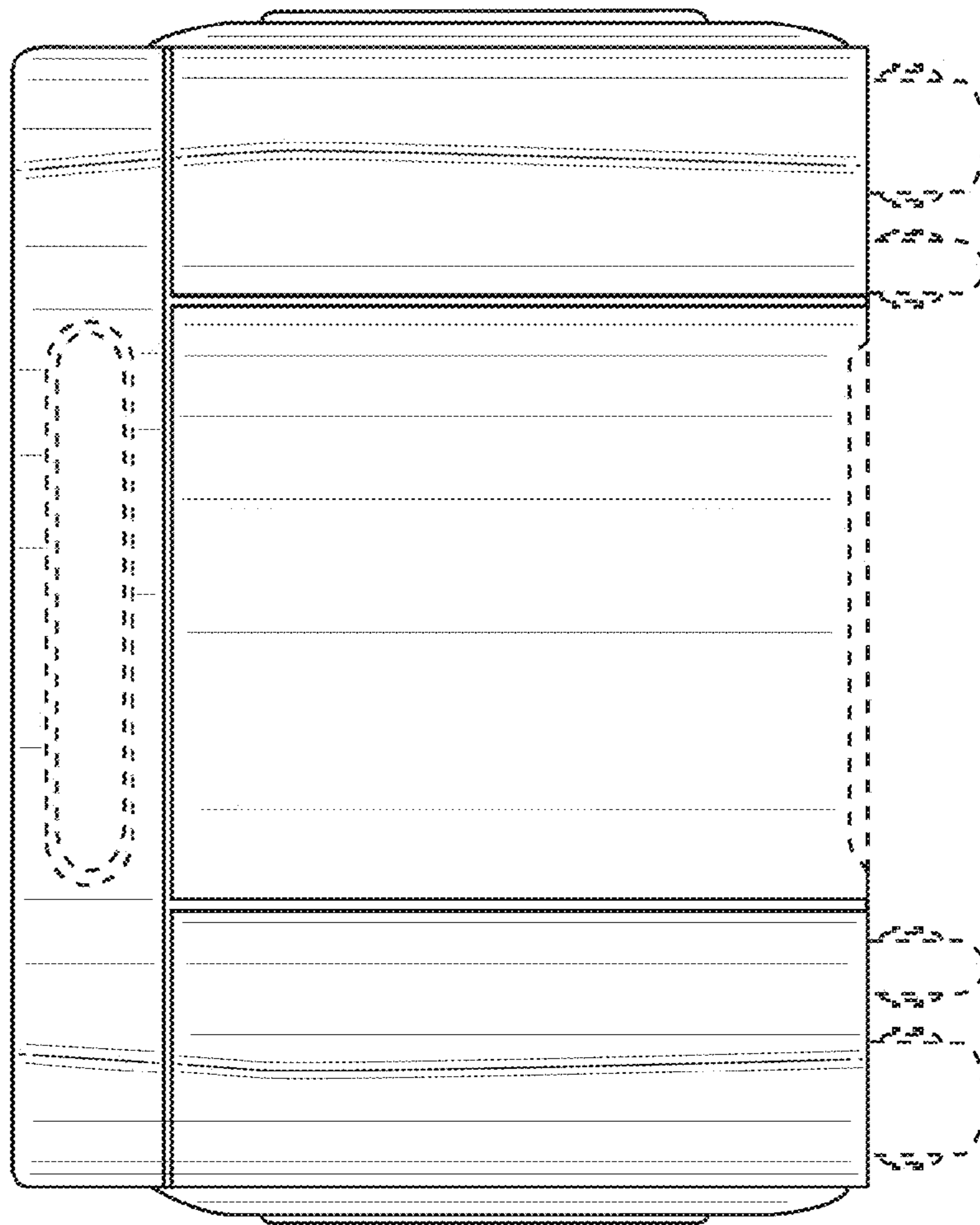


FIG. 21

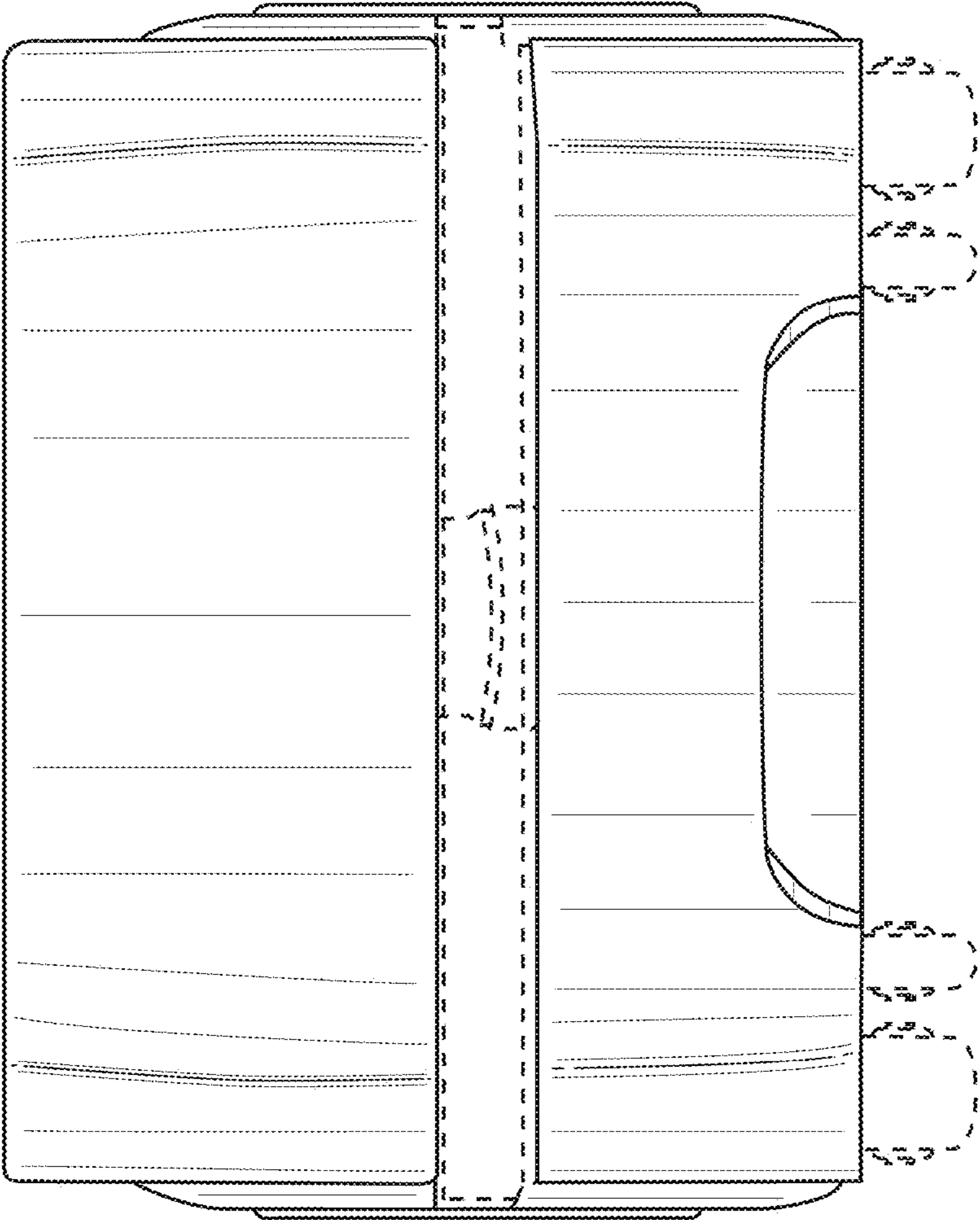


FIG. 22

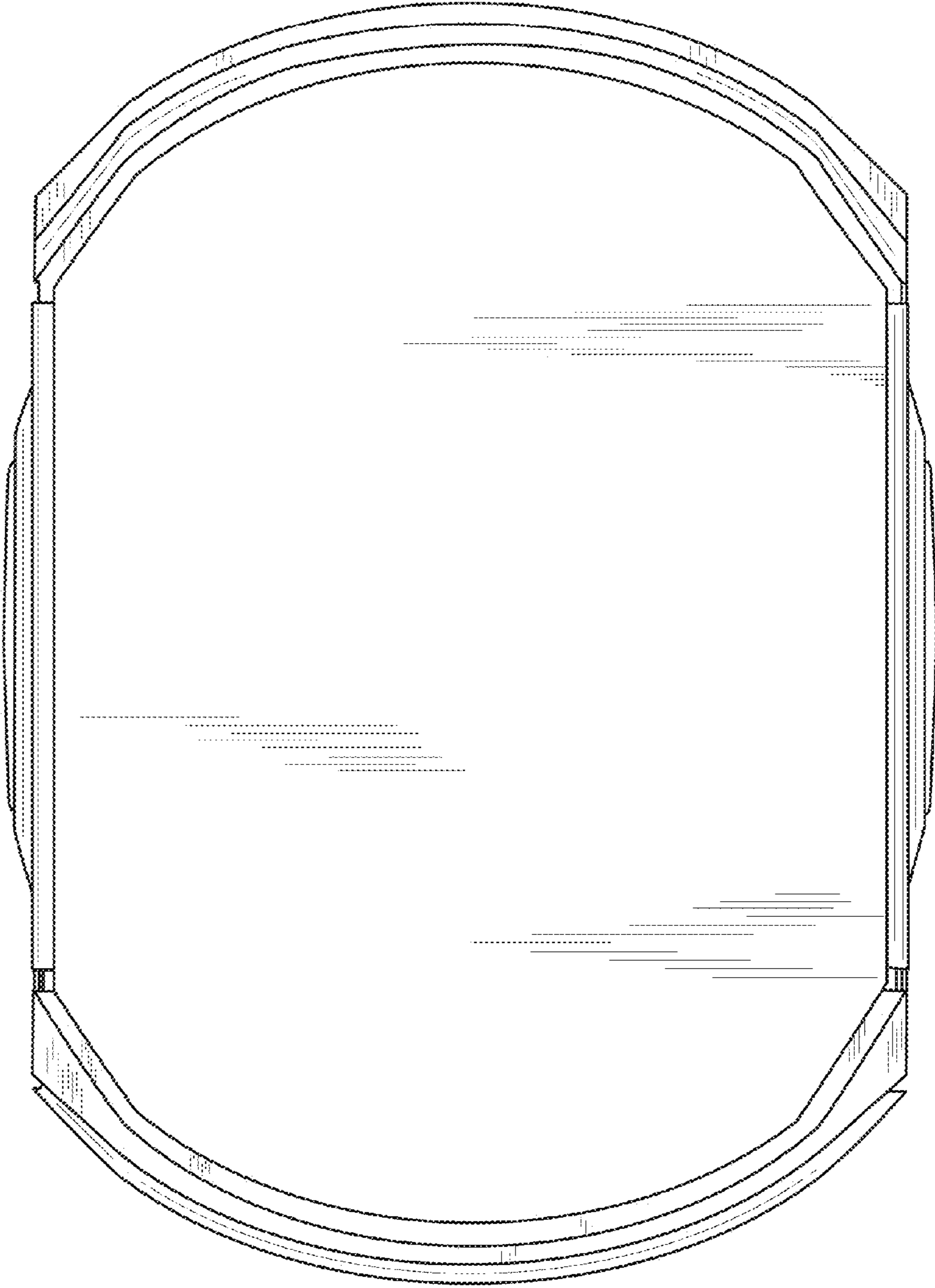


FIG. 23

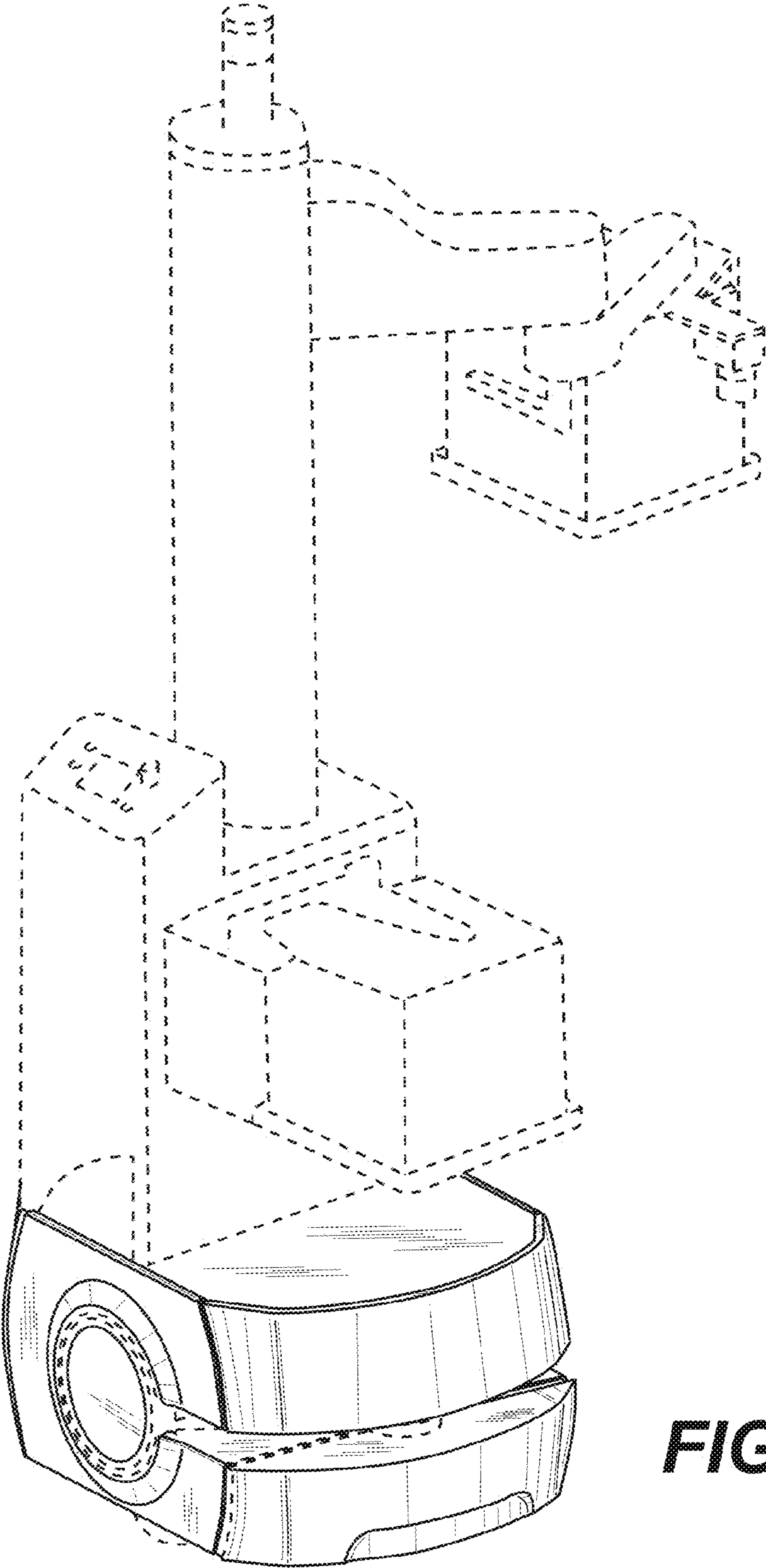


FIG. 24

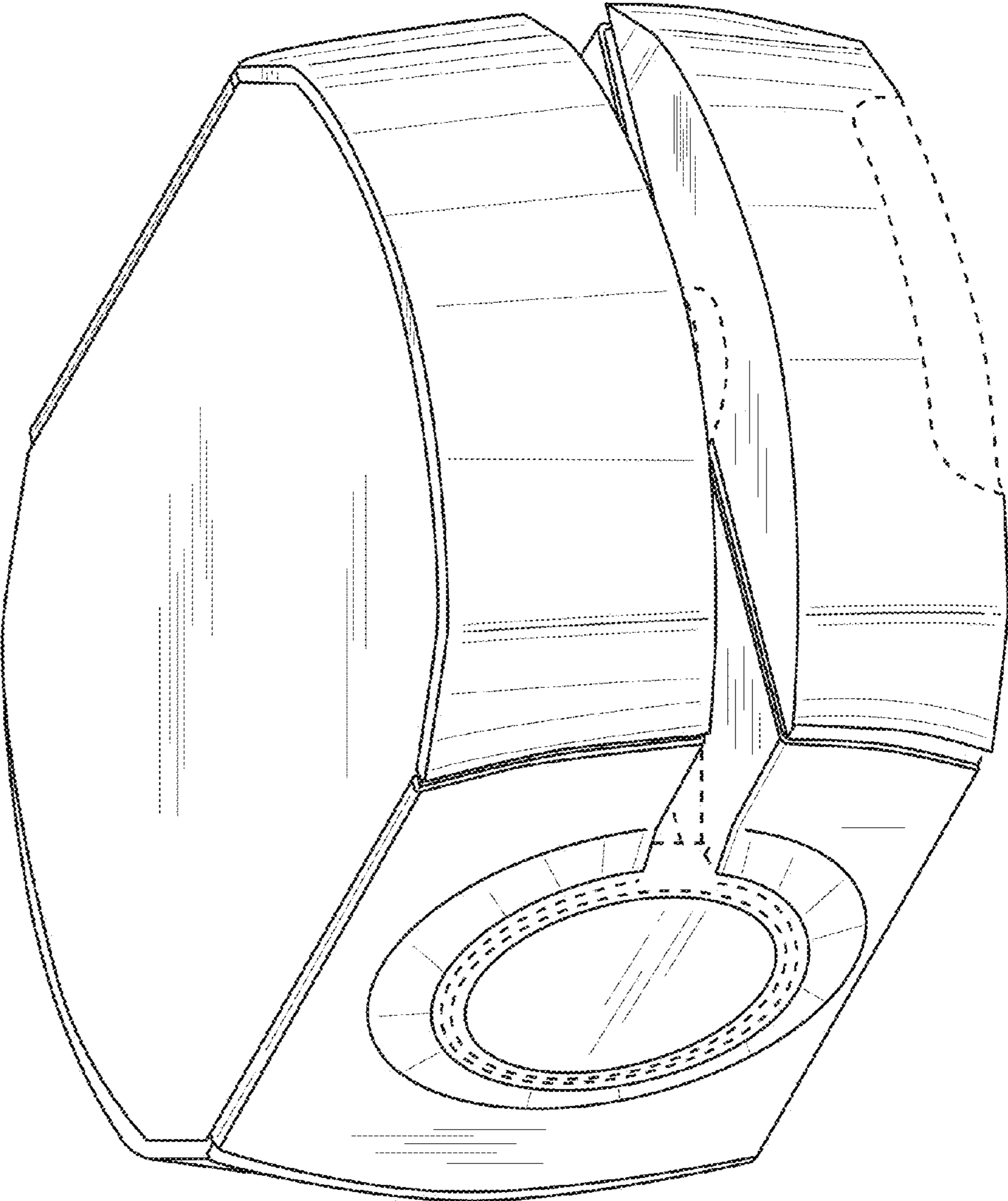


FIG. 25

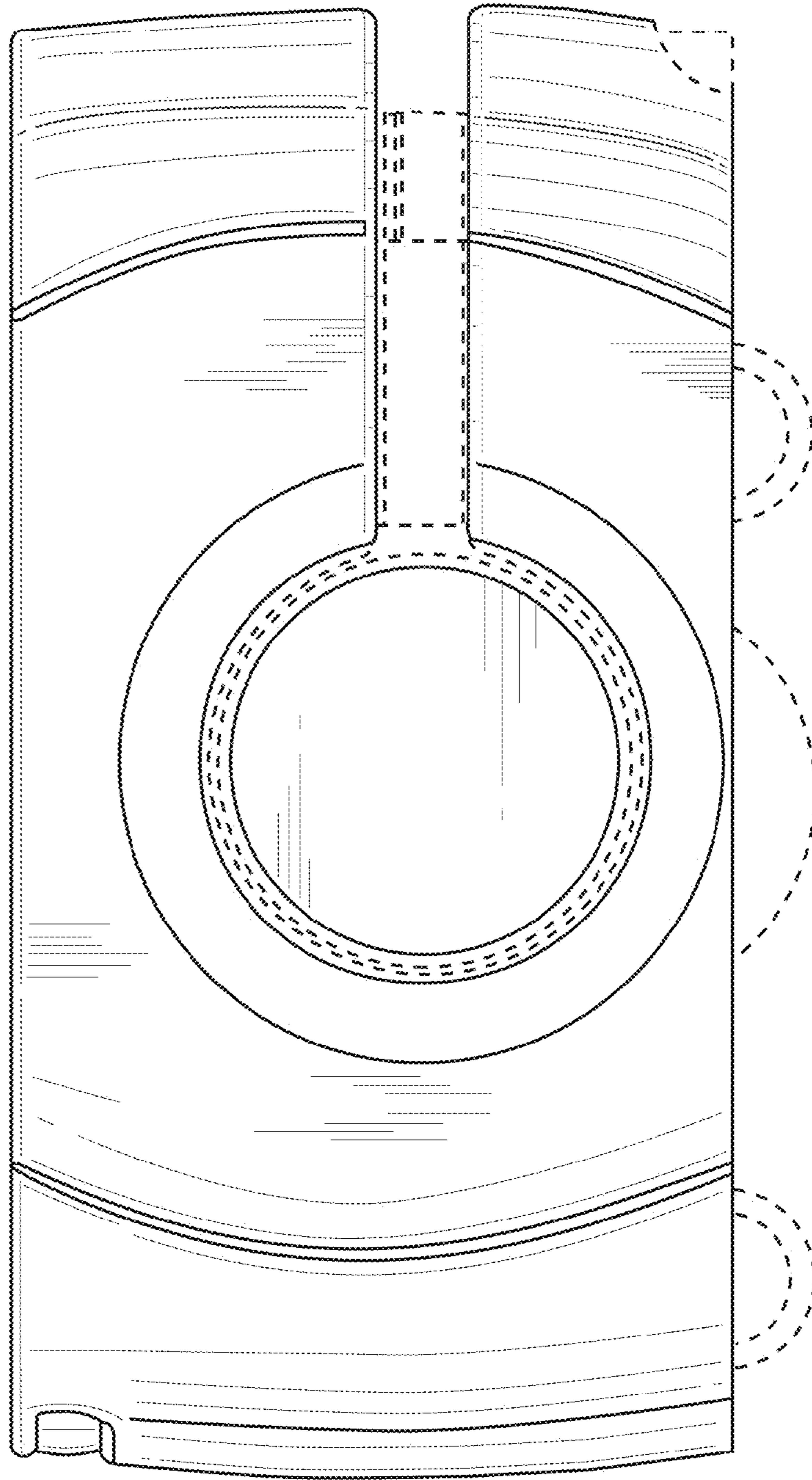


FIG. 26

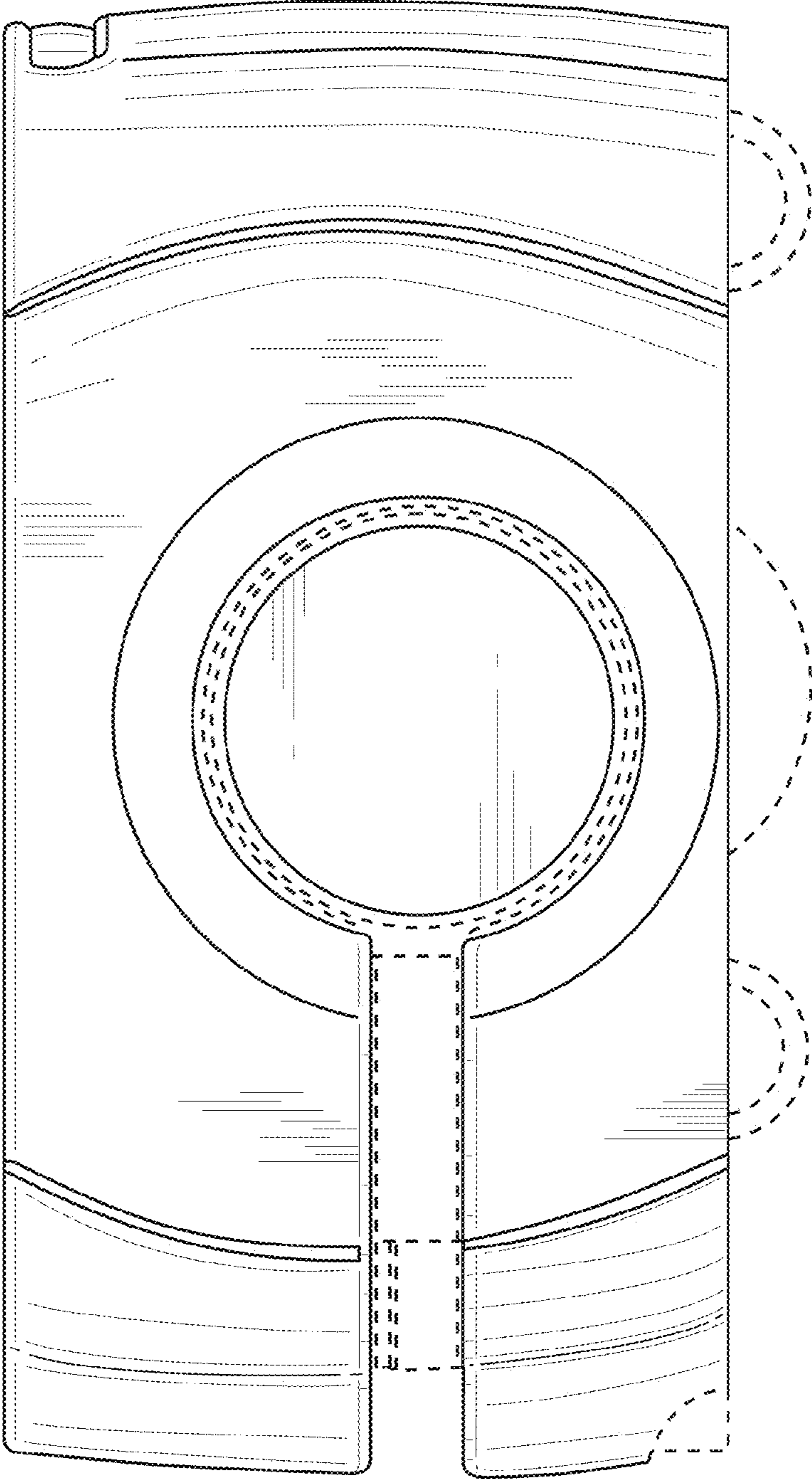


FIG. 27

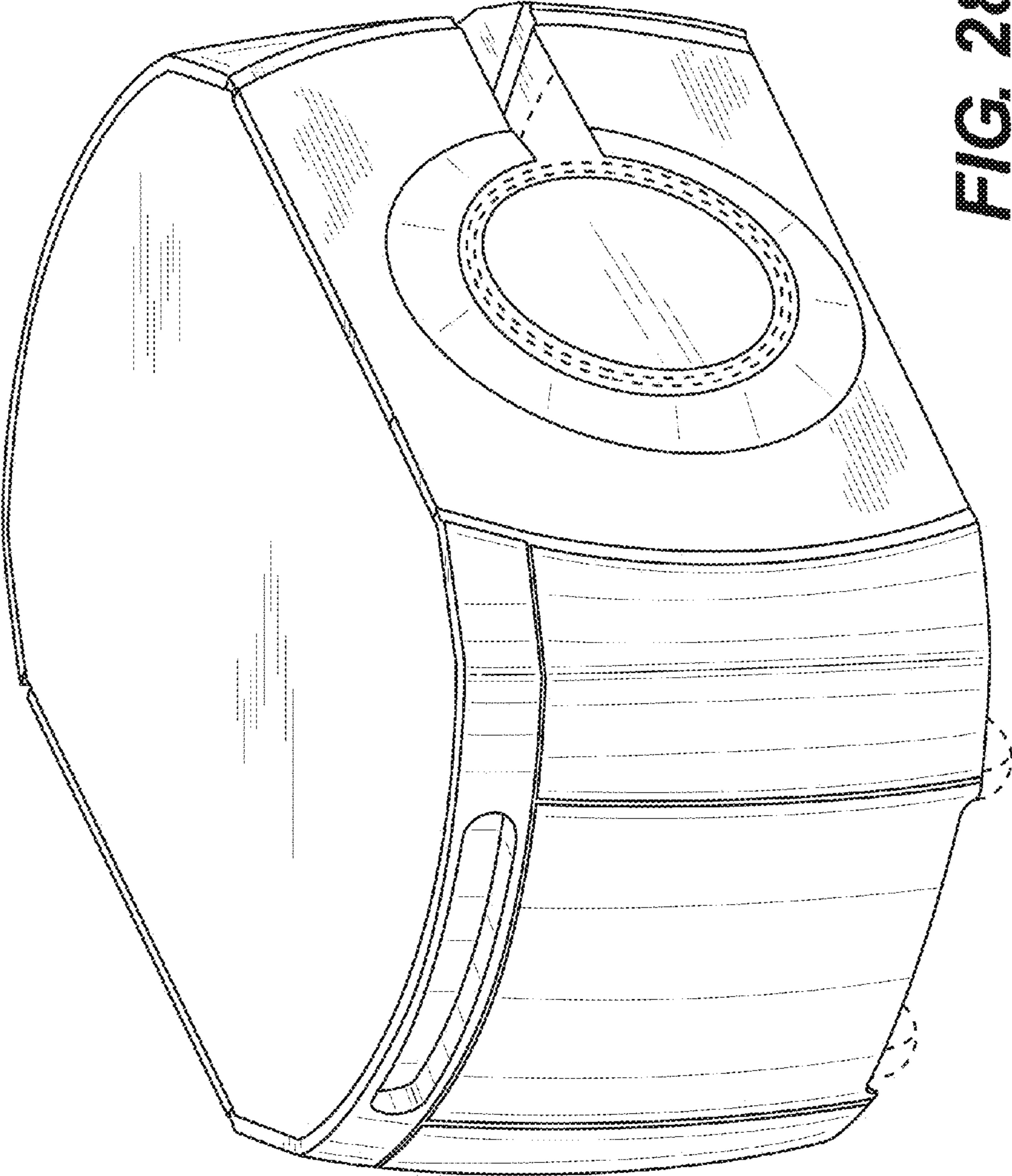


FIG. 28

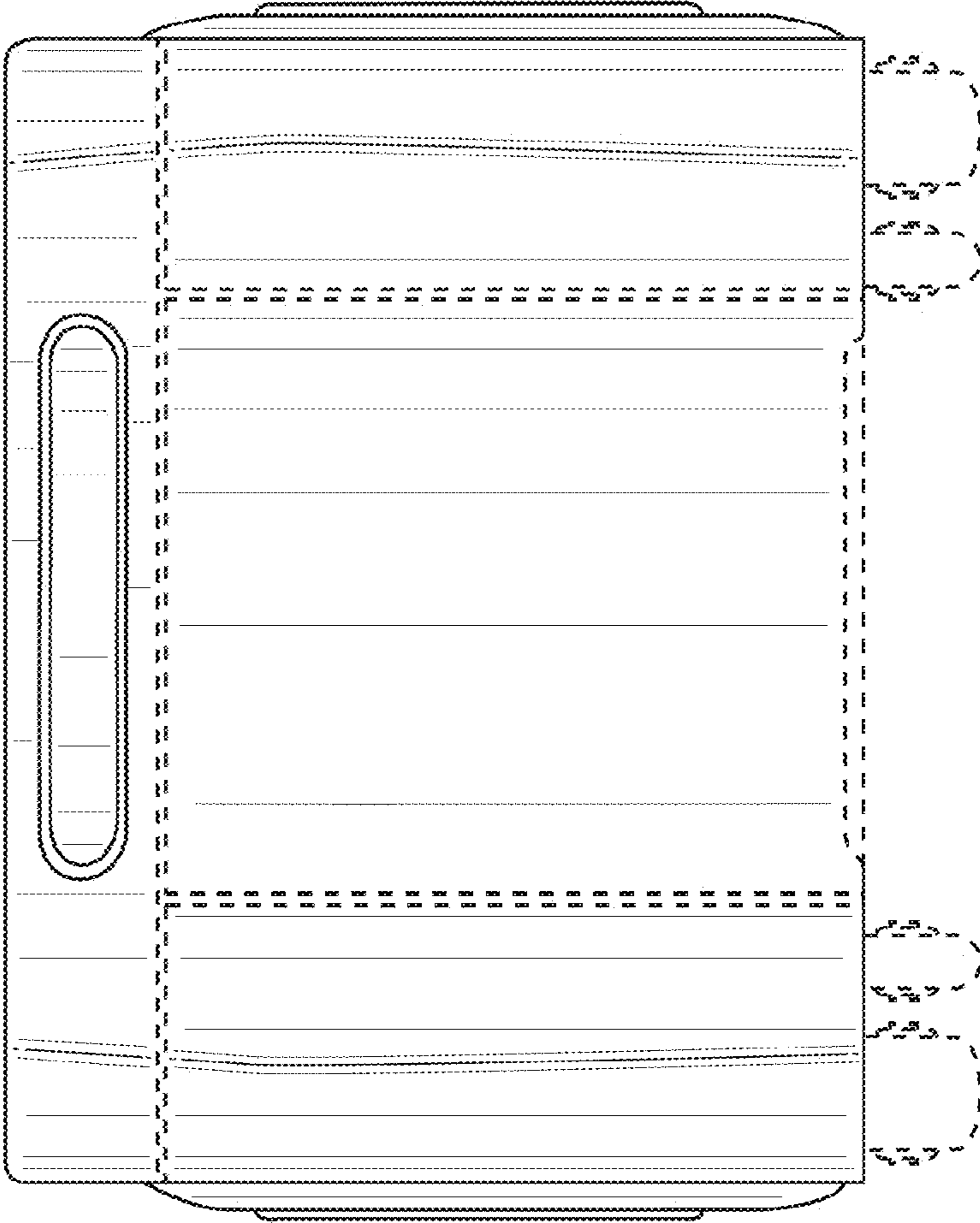


FIG. 29

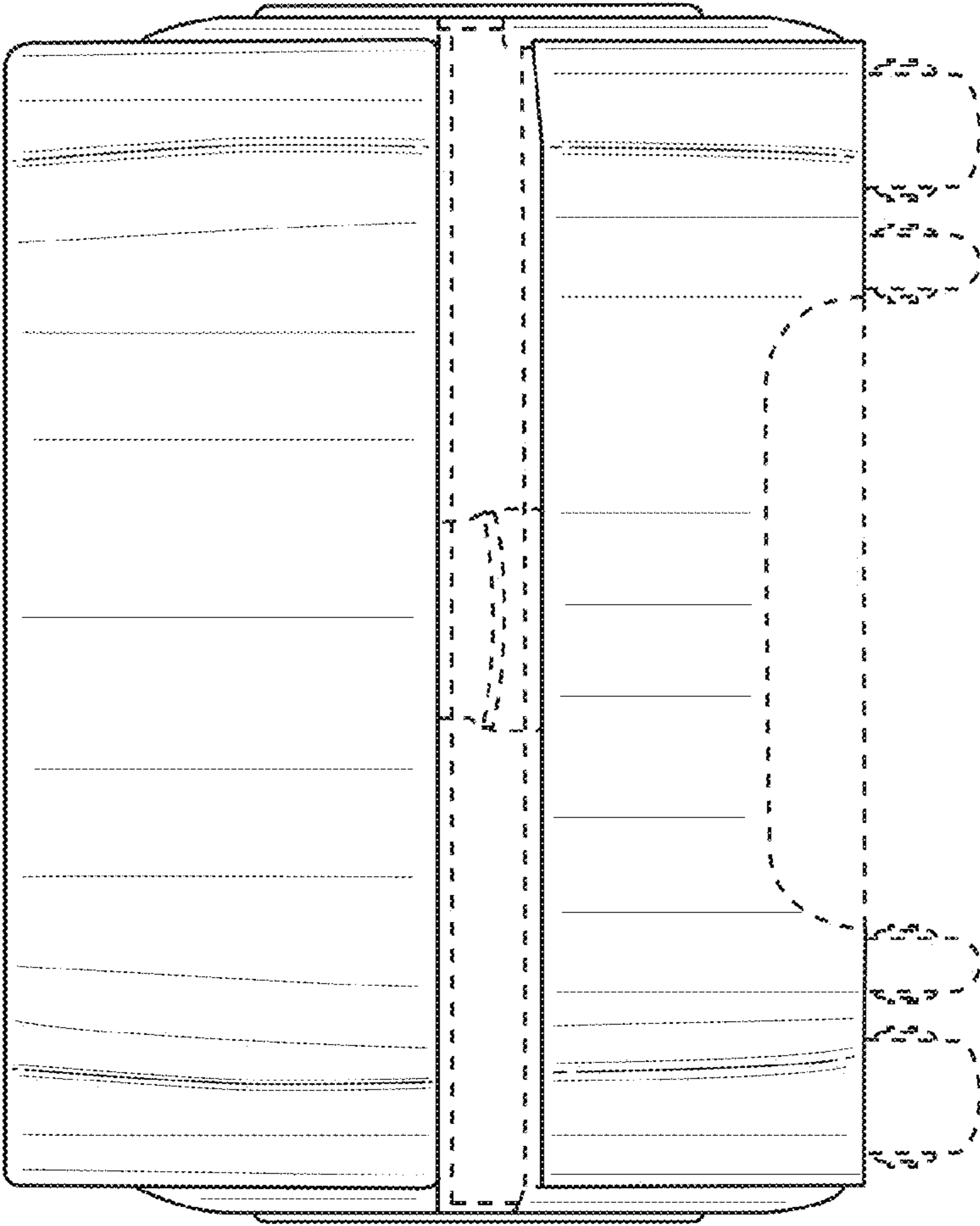


FIG. 30

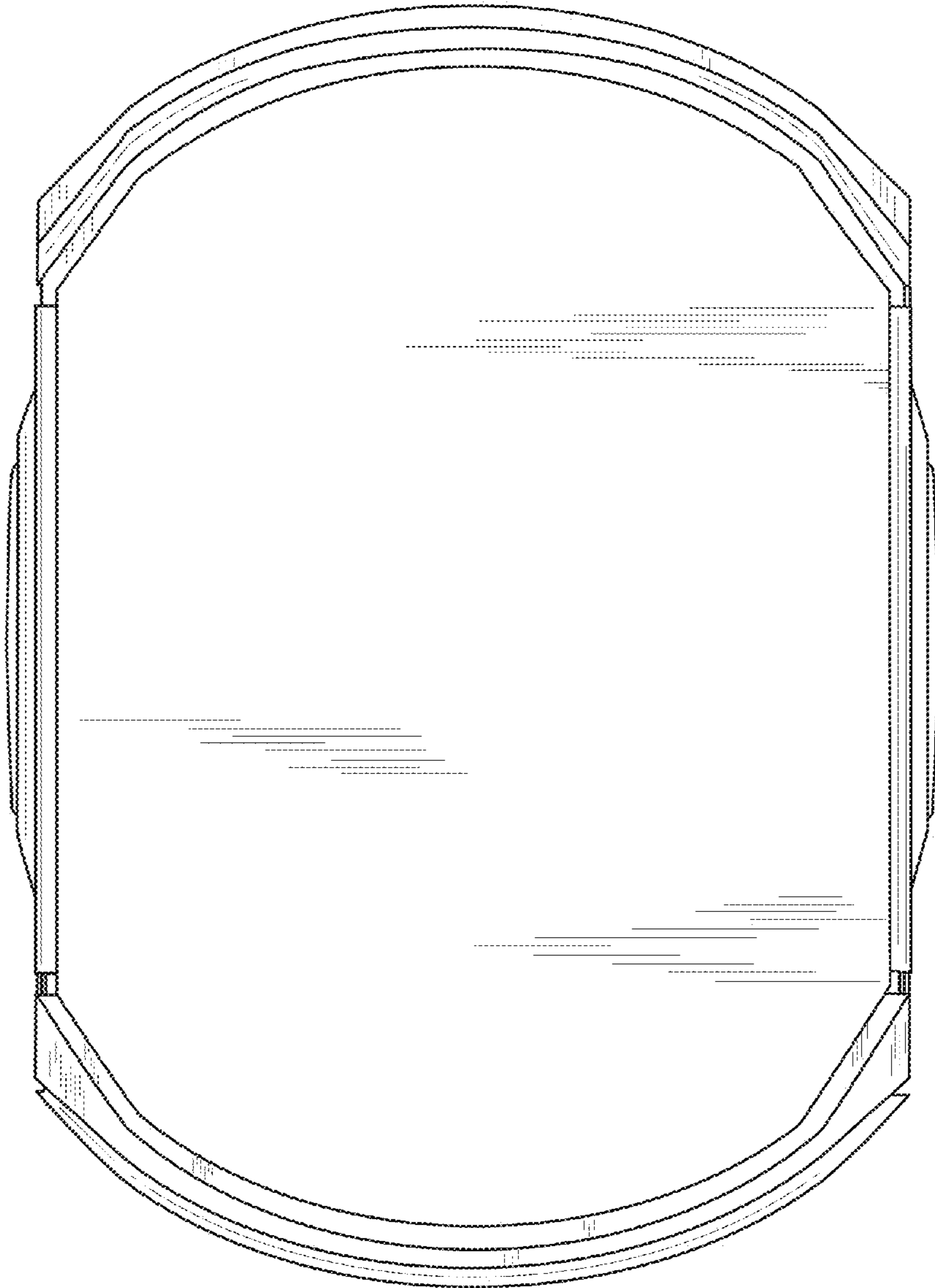


FIG. 31

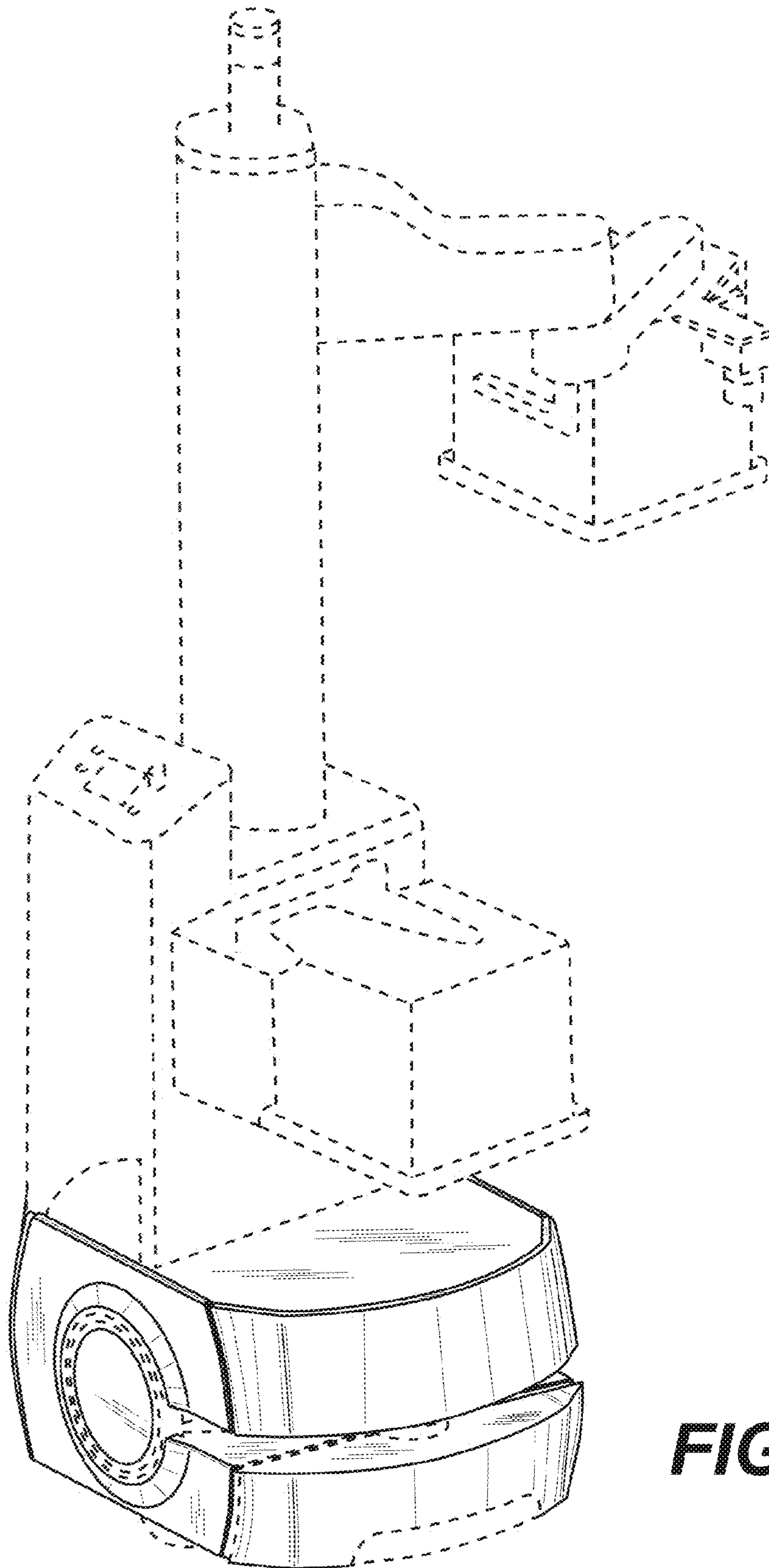


FIG. 32