



US00D722630S

(12) **United States Design Patent**  
**Hatano**

(10) **Patent No.:** **US D722,630 S**

(45) **Date of Patent:** **\*\* Feb. 17, 2015**

(54) **TRANSMISSION CASE FOR AUTOMOBILES**

(71) Applicant: **Honda Motor Co., Ltd.**, Tokyo (JP)

(72) Inventor: **Takahiro Hatano**, Wako (JP)

(73) Assignee: **Honda Motor Co., Ltd.**, Tokyo (JP)

(\*\*) Term: **14 Years**

(21) Appl. No.: **29/483,923**

(22) Filed: **Mar. 4, 2014**

(30) **Foreign Application Priority Data**

Sep. 4, 2013 (JP) ..... 2013-020457

(51) **LOC (10) Cl.** ..... **15-99**

(52) **U.S. Cl.**  
USPC ..... **D15/149**

(58) **Field of Classification Search**  
USPC ..... D12/126; D15/5, 148, 149; 123/41.86,  
123/432

See application file for complete search history.

(56) **References Cited**

**U.S. PATENT DOCUMENTS**

D544,509 S *	6/2007	Tiller et al.	.....	D15/148
8,286,769 B2 *	10/2012	Neri et al.	.....	192/3.58
2002/0017159 A1 *	2/2002	Hayabuchi et al.	.....	74/606 R
2002/0040620 A1 *	4/2002	Murakami et al.	.....	74/606 R
2004/0031352 A1 *	2/2004	Okuno et al.	.....	74/606 R
2005/0239592 A1 *	10/2005	Schoenek et al.	.....	474/144

2007/0000729 A1 *	1/2007	Lund et al.	.....	184/6.23
2008/0017026 A1 *	1/2008	Dondlinger et al.	.....	92/261
2008/0110295 A1 *	5/2008	Aoki et al.	.....	74/606 R
2009/0241727 A1 *	10/2009	Uozumi et al.	.....	74/606 R
2011/0247454 A1 *	10/2011	Prior	.....	74/606 R
2013/0047780 A1 *	2/2013	Kincaid et al.	.....	74/607

\* cited by examiner

*Primary Examiner* — Patricia Palasik

(74) *Attorney, Agent, or Firm* — Westerman, Hattori, Daniels & Adrian, LLP

(57) **CLAIM**

The ornamental design for a transmission case for automobiles, as shown and described.

**DESCRIPTION**

FIG. 1 is a front view of the transmission case for automobiles showing any new design;  
 FIG. 2 is a rear view thereof;  
 FIG. 3 is a top plan thereof;  
 FIG. 4 is a bottom plan thereof;  
 FIG. 5 is a right side view thereof;  
 FIG. 6 is a left side view thereof;  
 FIG. 7 is a front perspective view thereof seen from the left lower side;  
 FIG. 8 is a front perspective view thereof seen from the left upper side;  
 FIG. 9 is a rear perspective view thereof seen from the right lower side; and,  
 FIG. 10 is a rear perspective view of the transmission case as seen from the right upper side.

**1 Claim, 10 Drawing Sheets**

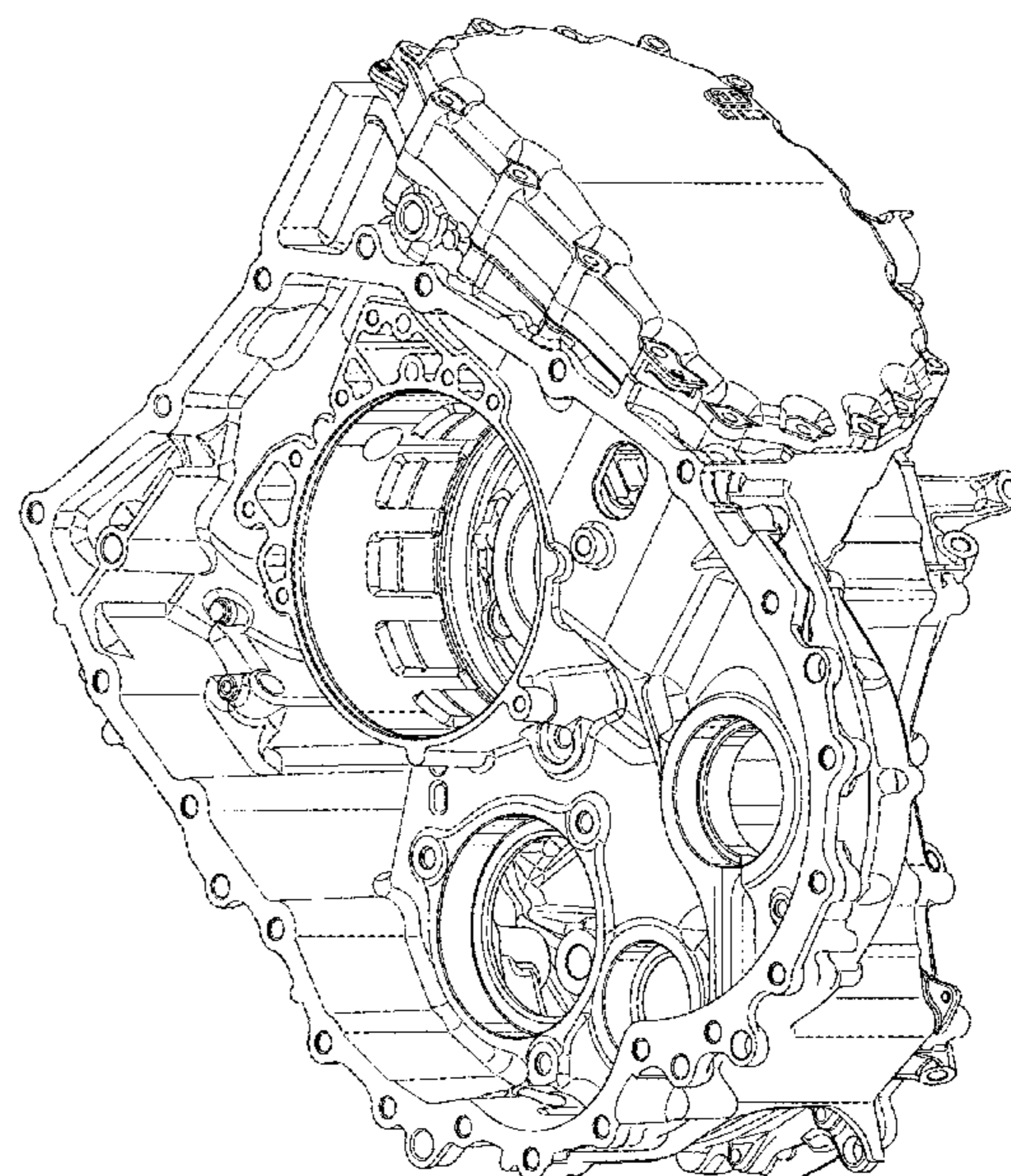
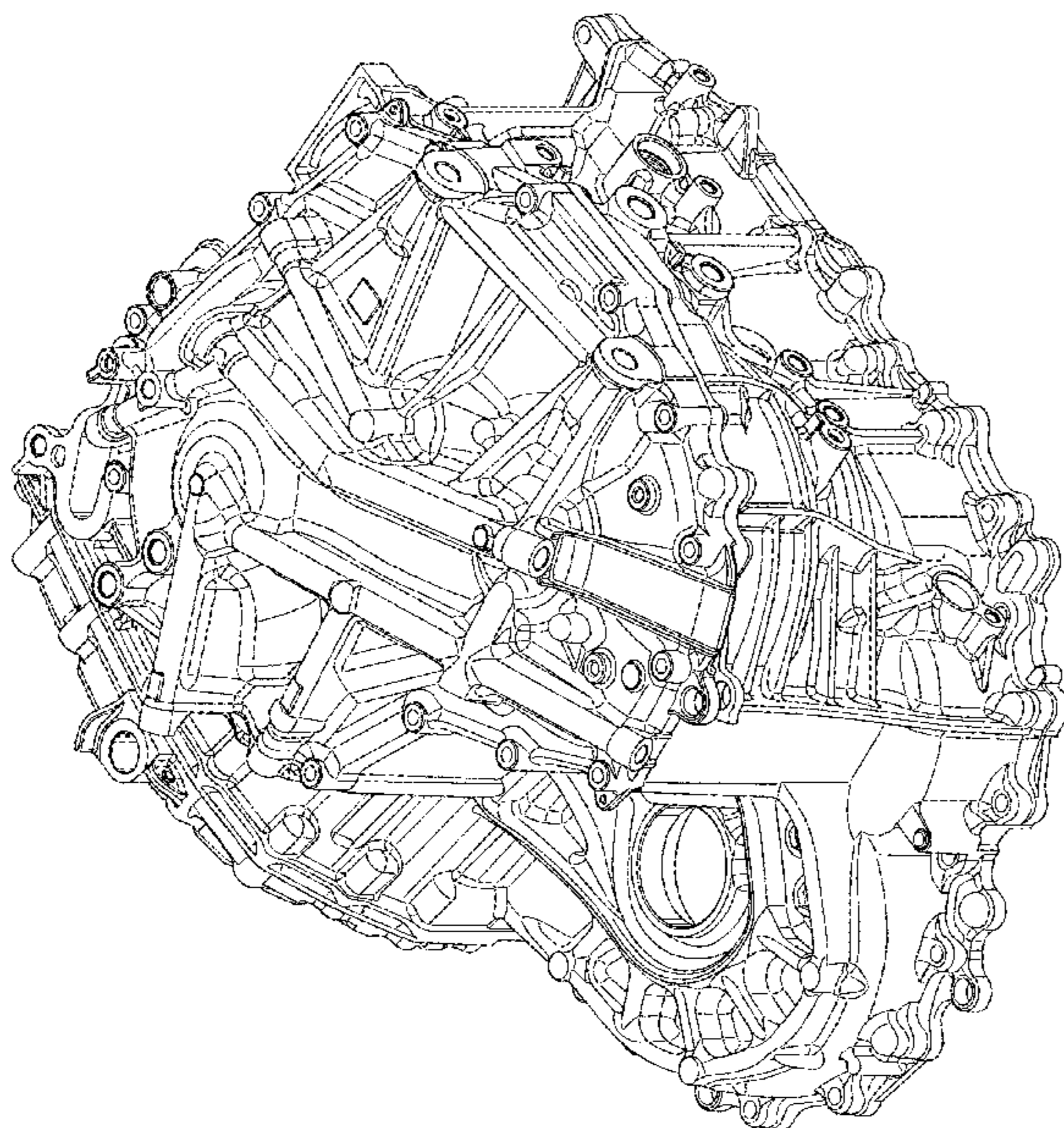


FIG. 1

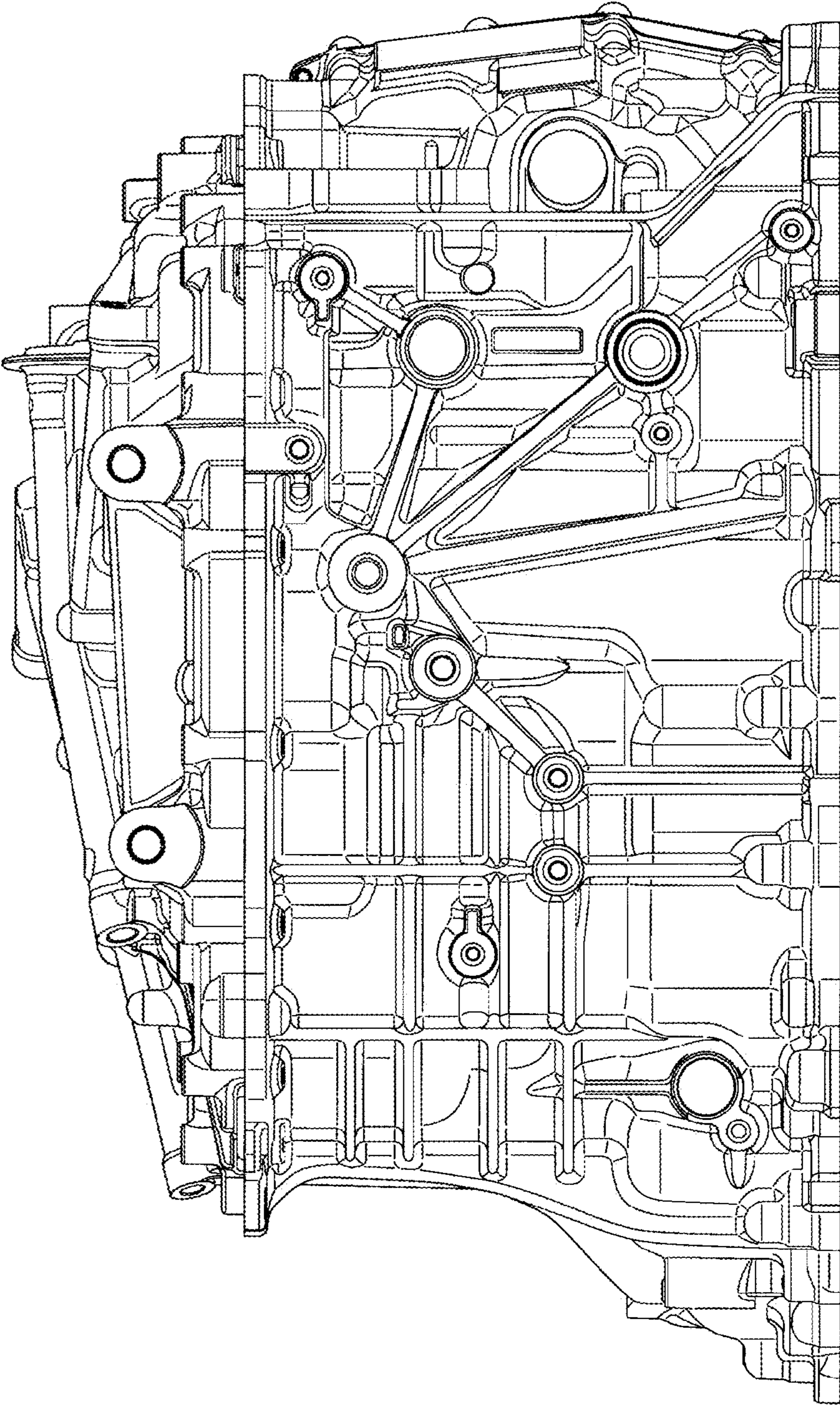


FIG.2

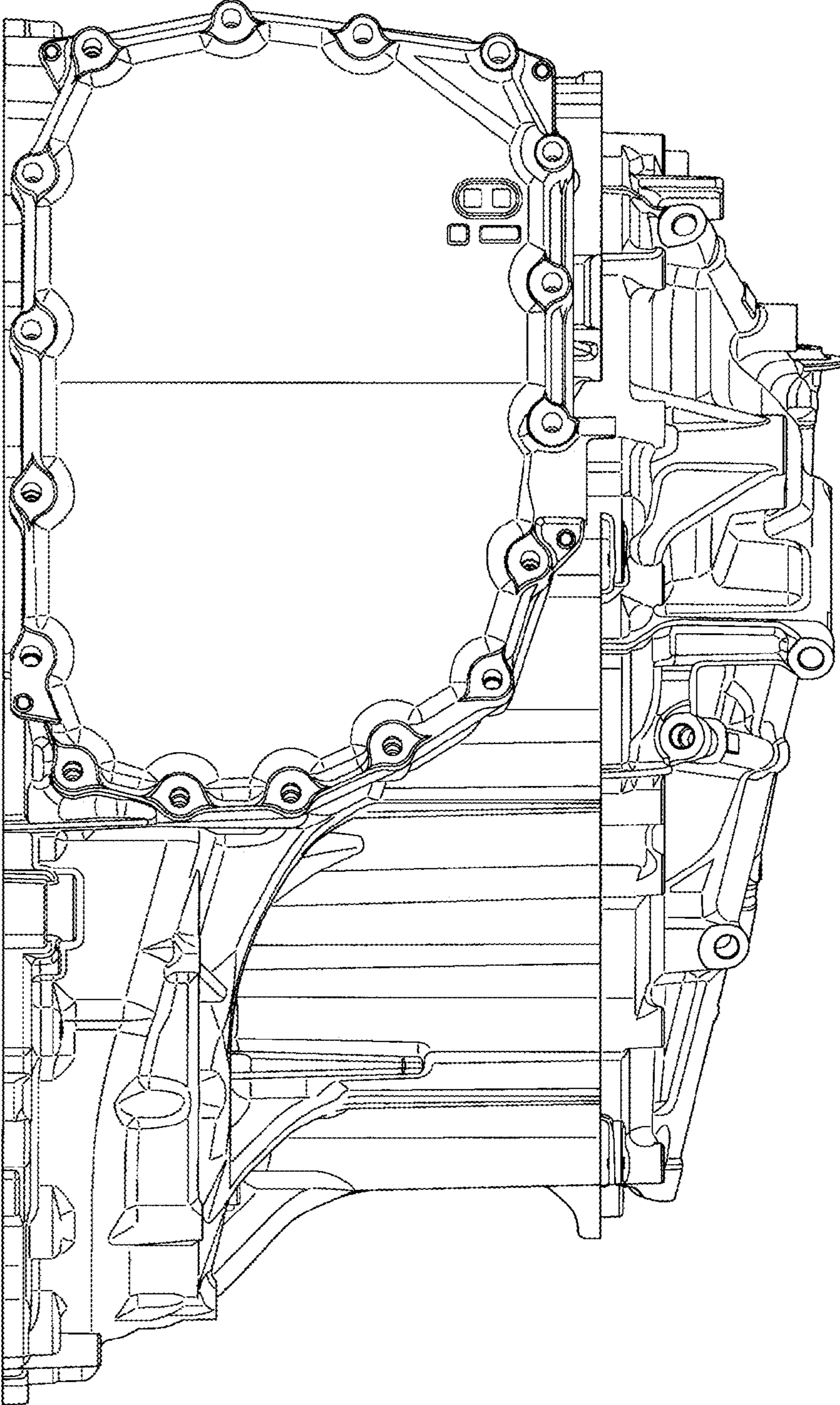


FIG.3

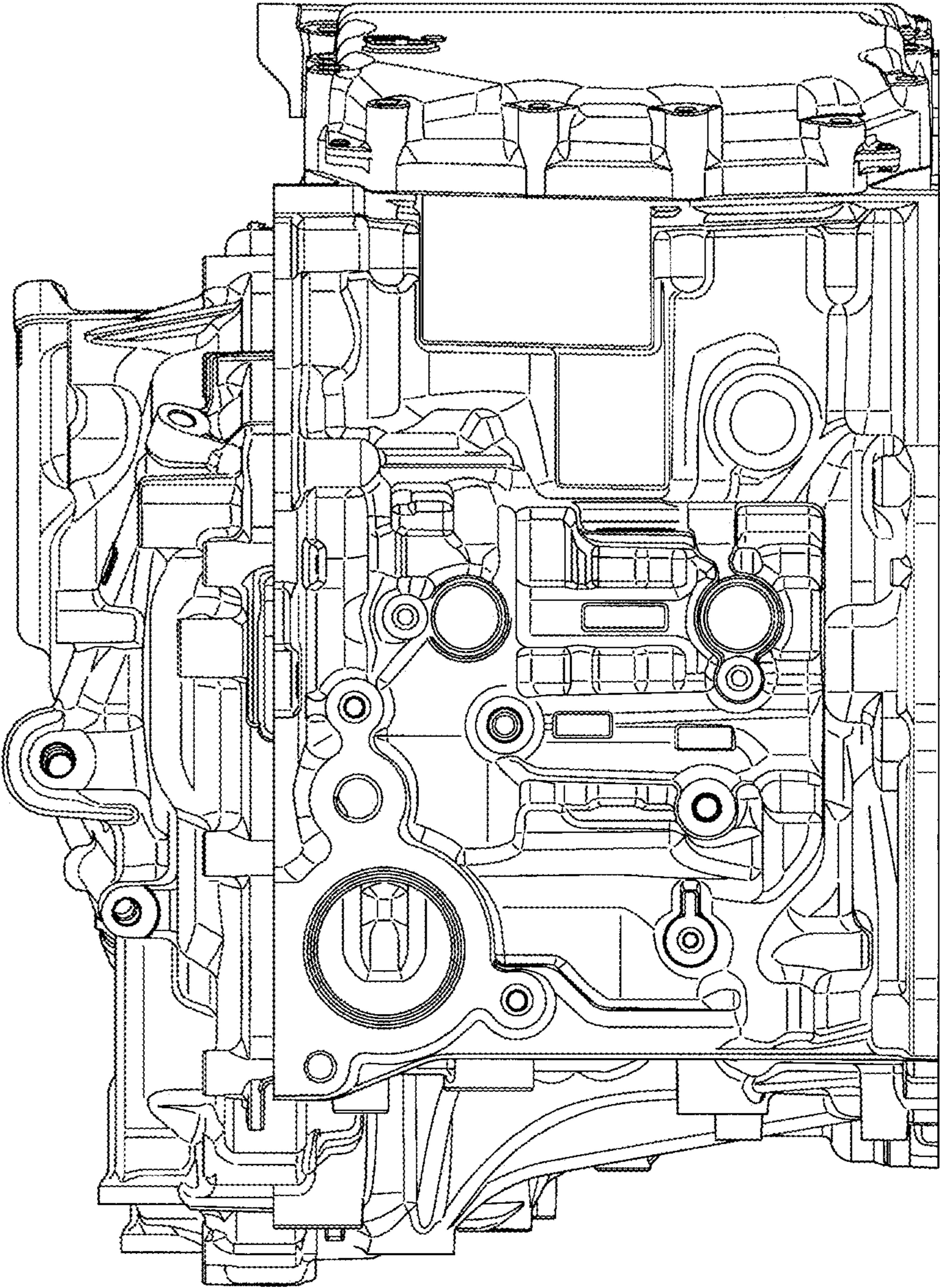


FIG.4

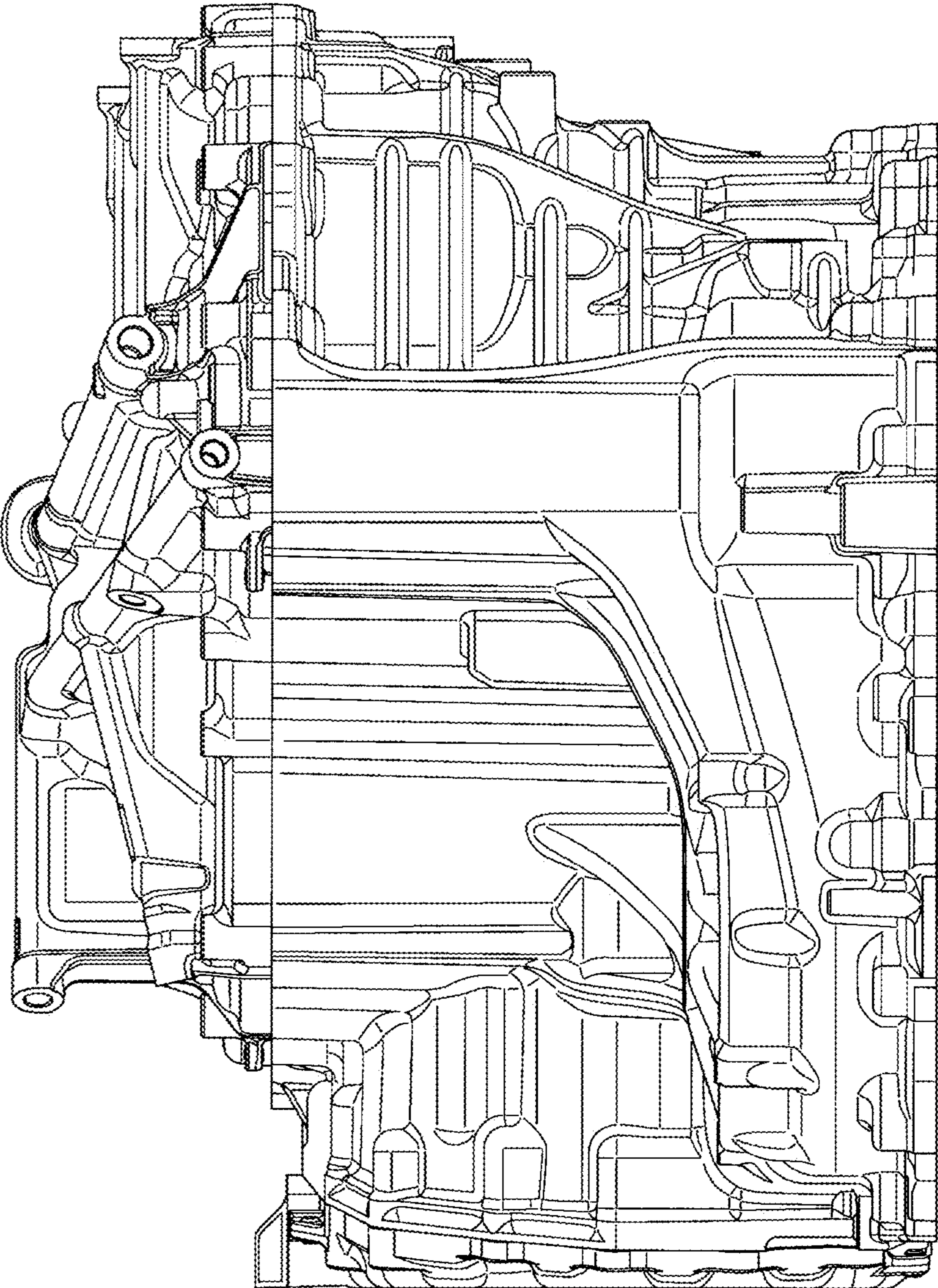


FIG.5

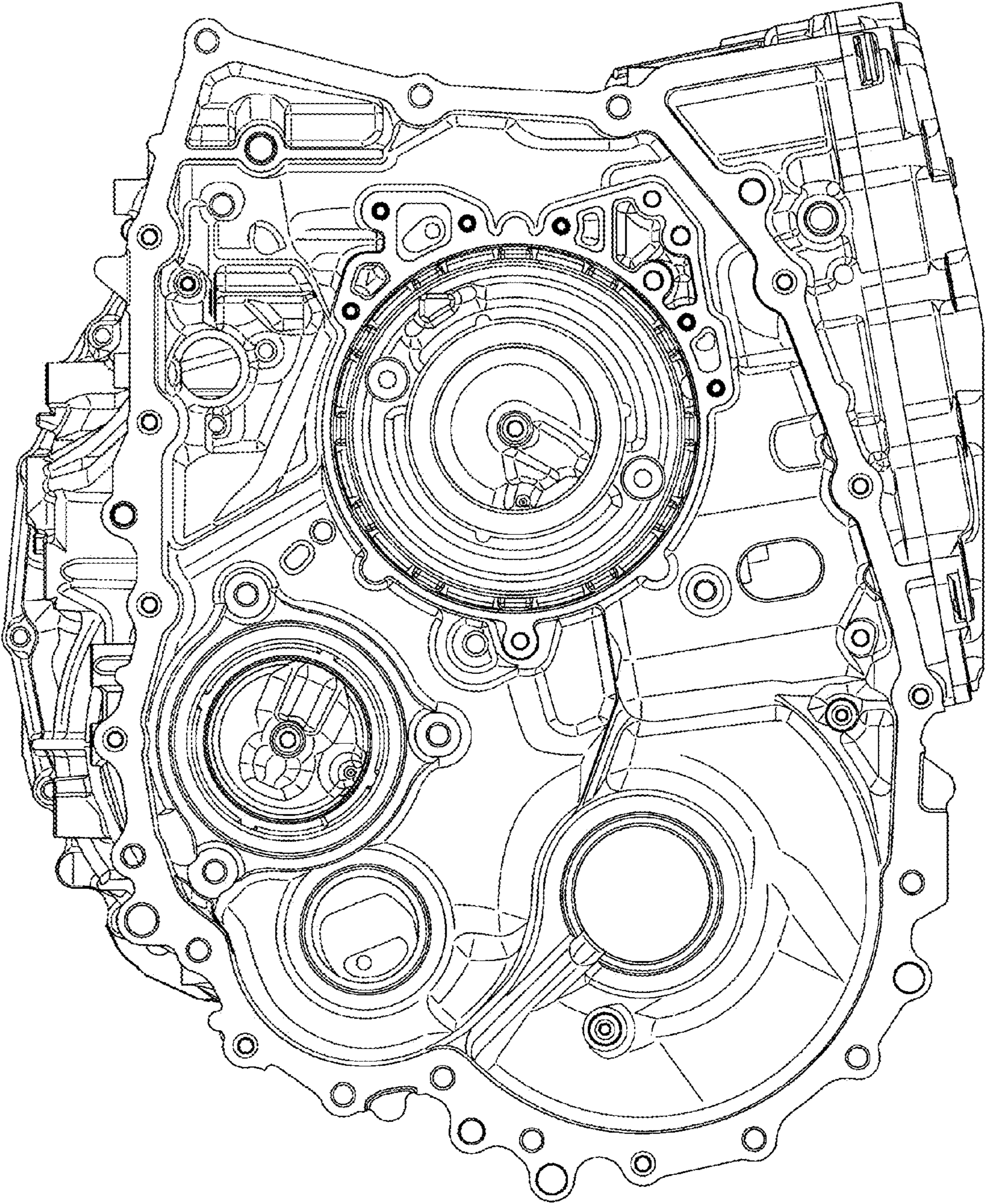


FIG.6

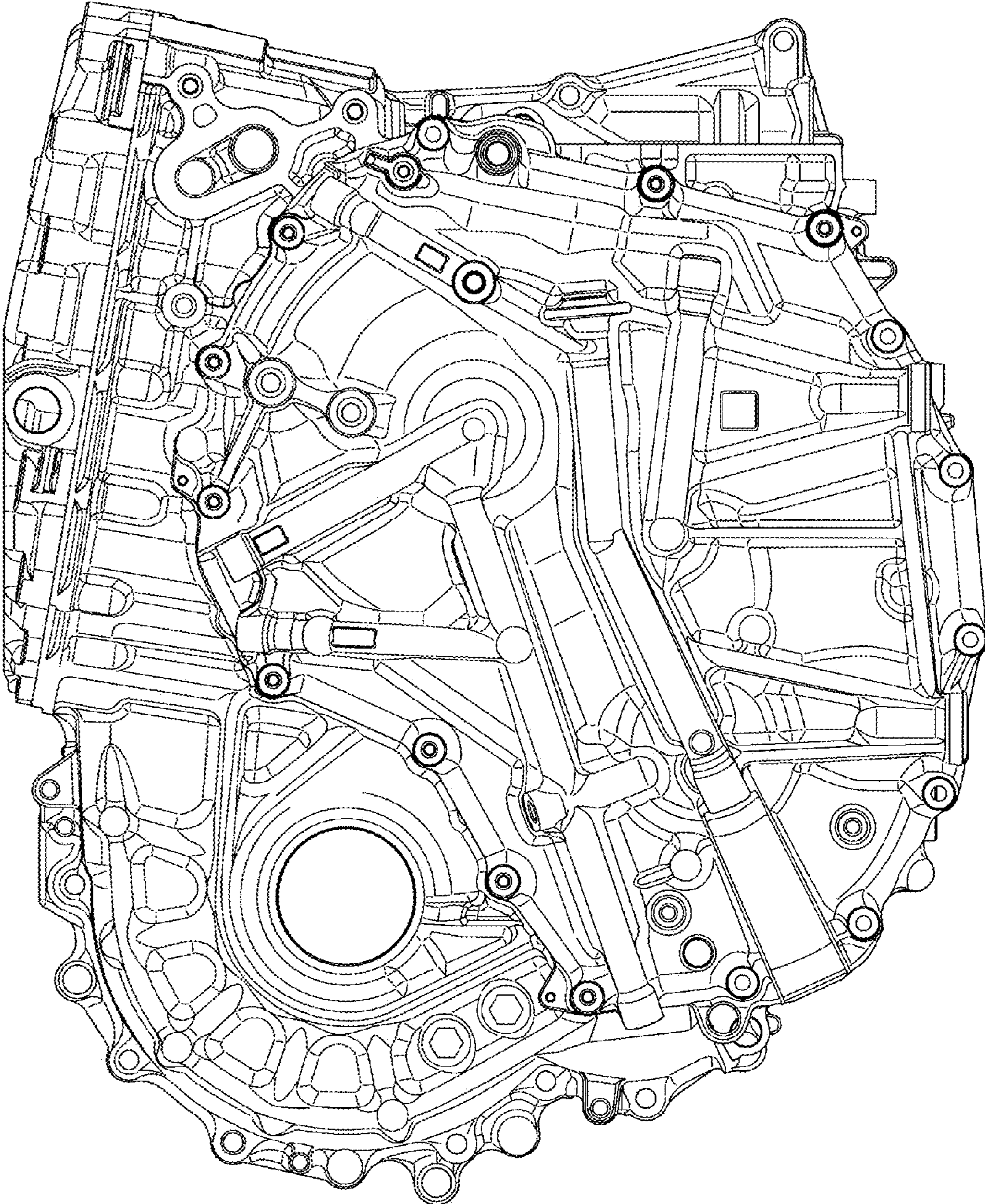


FIG.7

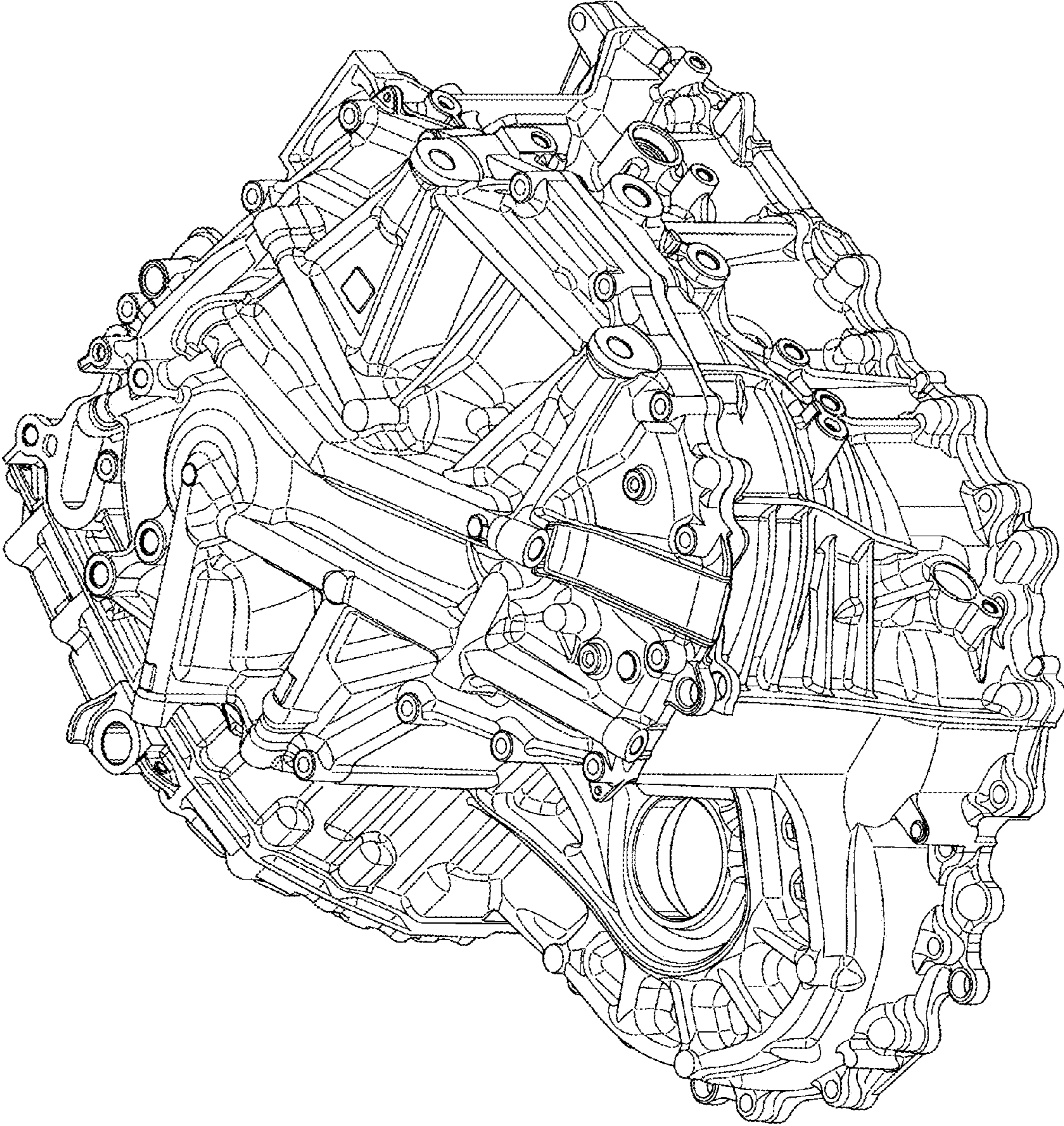




FIG.8

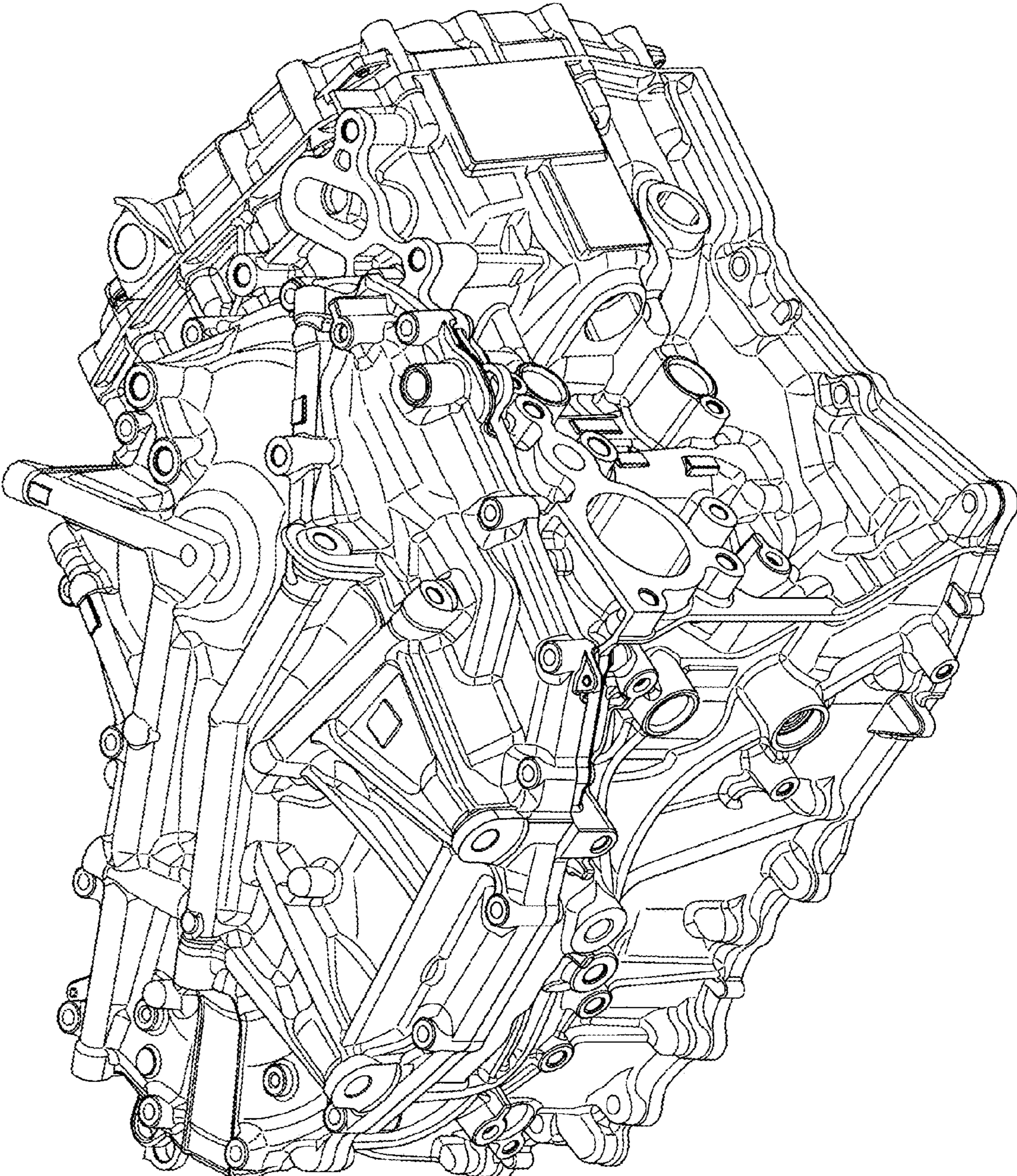


FIG.9

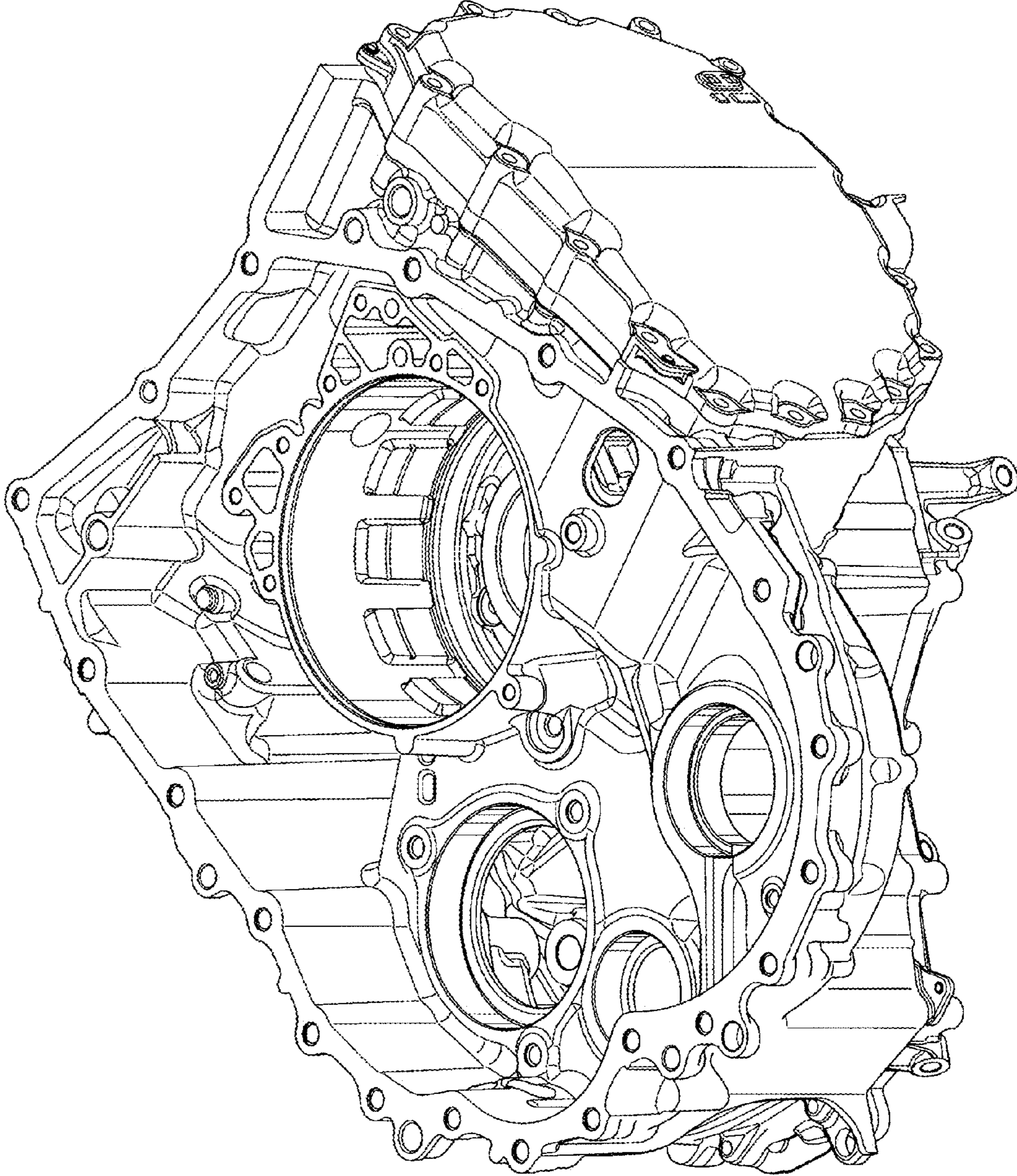


FIG.10

