



US00D722627S

(12) **United States Design Patent**
Leugers

(10) **Patent No.:** **US D722,627 S**

(45) **Date of Patent:** **** Feb. 17, 2015**

(54) **DRILL BIT PENETRATION MEASUREMENT SYSTEM CONTROL HOUSING**

D675,998 S * 2/2013 Pointner et al. D13/164
D677,635 S * 3/2013 Ling et al. D13/177
D690,213 S * 9/2013 Walsh et al. D10/47
D699,689 S * 2/2014 Brooking D13/164

(71) Applicant: **McGinley Engineered Solutions, LLC**,
Casper, WY (US)

* cited by examiner

(72) Inventor: **Martin Leugers**, San Francisco, CA
(US)

Primary Examiner — Patricia Palasik

(74) *Attorney, Agent, or Firm* — Marsh Fischmann &
Breyfogle LLP

(73) Assignee: **McGinley Engineered Solutions LLC**,
Casper, WY (US)

(**) Term: **14 Years**

(57) **CLAIM**

The ornamental design for a drill bit penetration measurement system control housing, as shown and described.

(21) Appl. No.: **29/472,826**

DESCRIPTION

(22) Filed: **Nov. 15, 2013**

(51) **LOC (10) Cl.** **15-09**

(52) **U.S. Cl.**
USPC **D15/138**

(58) **Field of Classification Search**
USPC D10/49, 50; D13/162, 164, 177, 184;
D14/142, 240; D15/138

See application file for complete search history.

FIG. 1 is a front perspective view of a drill bit penetration measurement system control housing;
FIG. 2 is a rear perspective view of the drill bit penetration measurement system control housing of FIG. 1;
FIG. 3 is a front view of the drill bit penetration measurement system control housing of FIG. 1;
FIG. 4 is a rear view of the drill bit penetration measurement system control housing of FIG. 1;
FIG. 5 is a left side view of the drill bit penetration measurement system control housing of FIG. 1;
FIG. 6 is a right side view of the drill bit penetration measurement system control housing of FIG. 1;
FIG. 7 is a top view of the drill bit penetration measurement system control housing of FIG. 1; and,
FIG. 8 is a bottom view of the drill bit penetration measurement system control housing of FIG. 1.

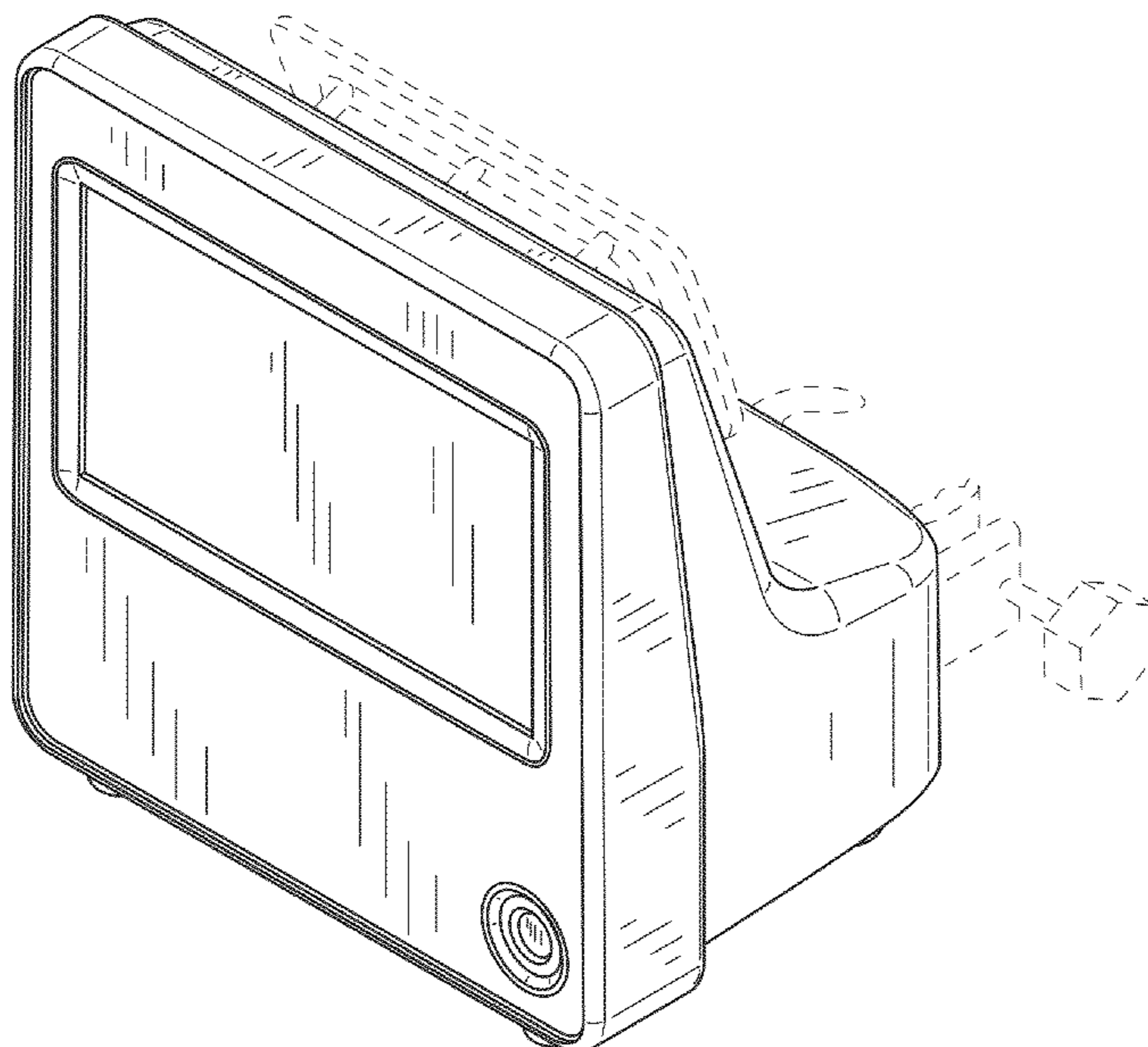
The broken lines in the drawing indicate environmental structure and form no part of the design to be patented.

(56) **References Cited**

U.S. PATENT DOCUMENTS

D269,697 S * 7/1983 Graham et al. D23/245
D275,459 S * 9/1984 Dean D10/49
D277,636 S * 2/1985 Rittmann D15/144
D309,584 S * 7/1990 Krishnamurthy et al. D10/81
D314,714 S * 2/1991 Wixey et al. D10/74
D359,488 S * 6/1995 Hui D14/141.2
D392,730 S * 3/1998 Kozora D23/355
D408,823 S * 4/1999 Kirby D14/240
D413,667 S * 9/1999 Corbellini et al. D24/111

1 Claim, 8 Drawing Sheets



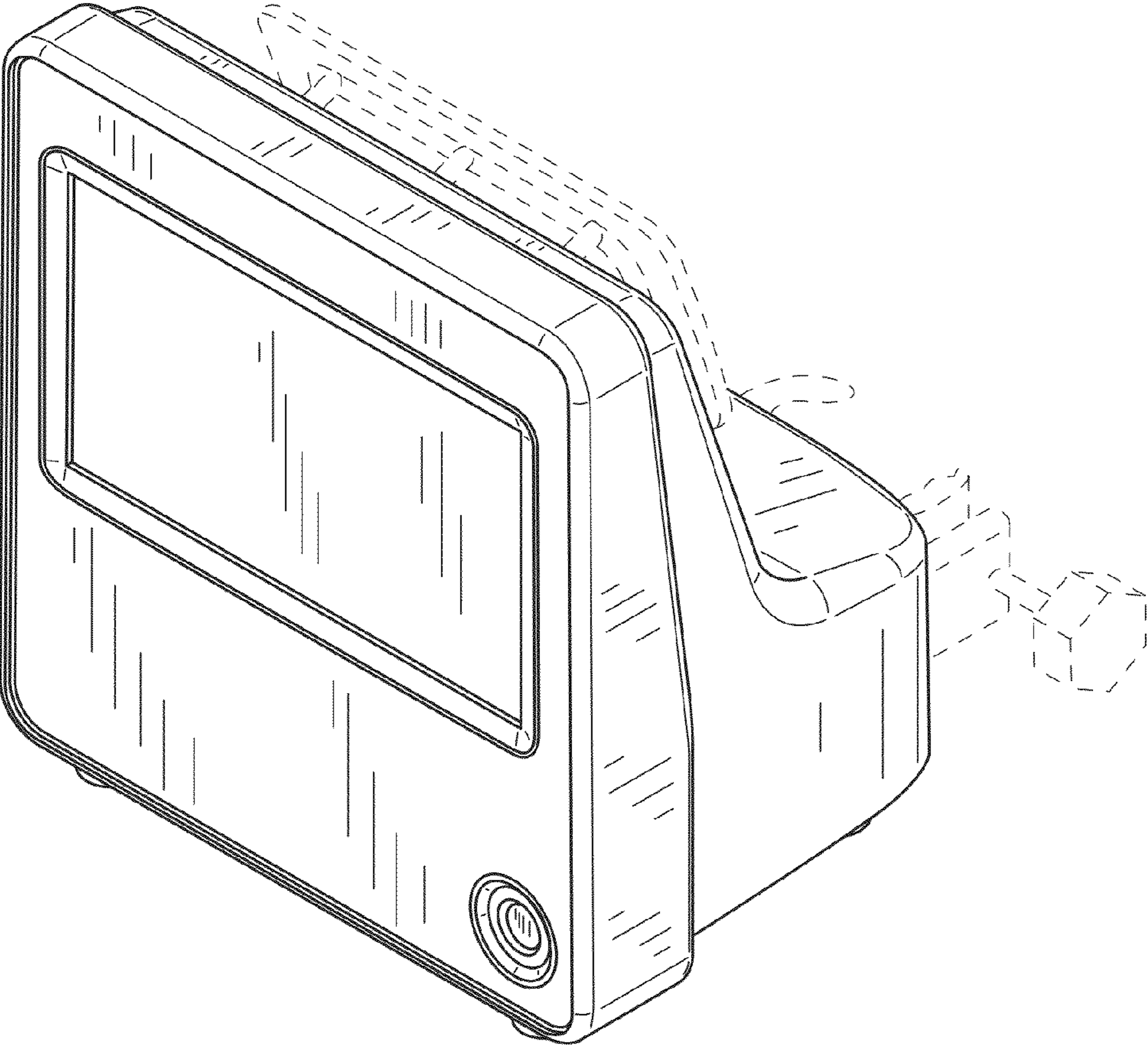


FIG.1

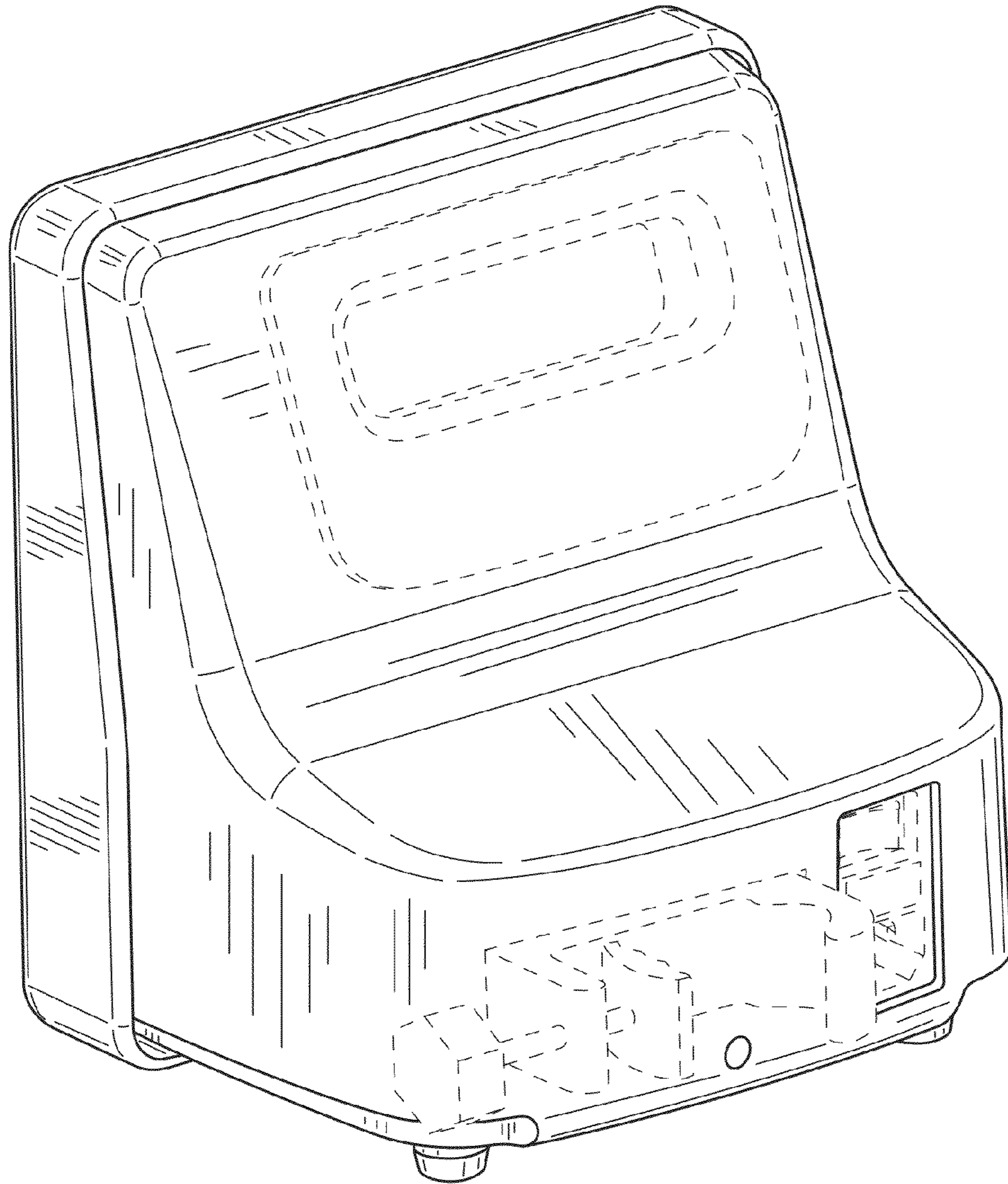


FIG.2

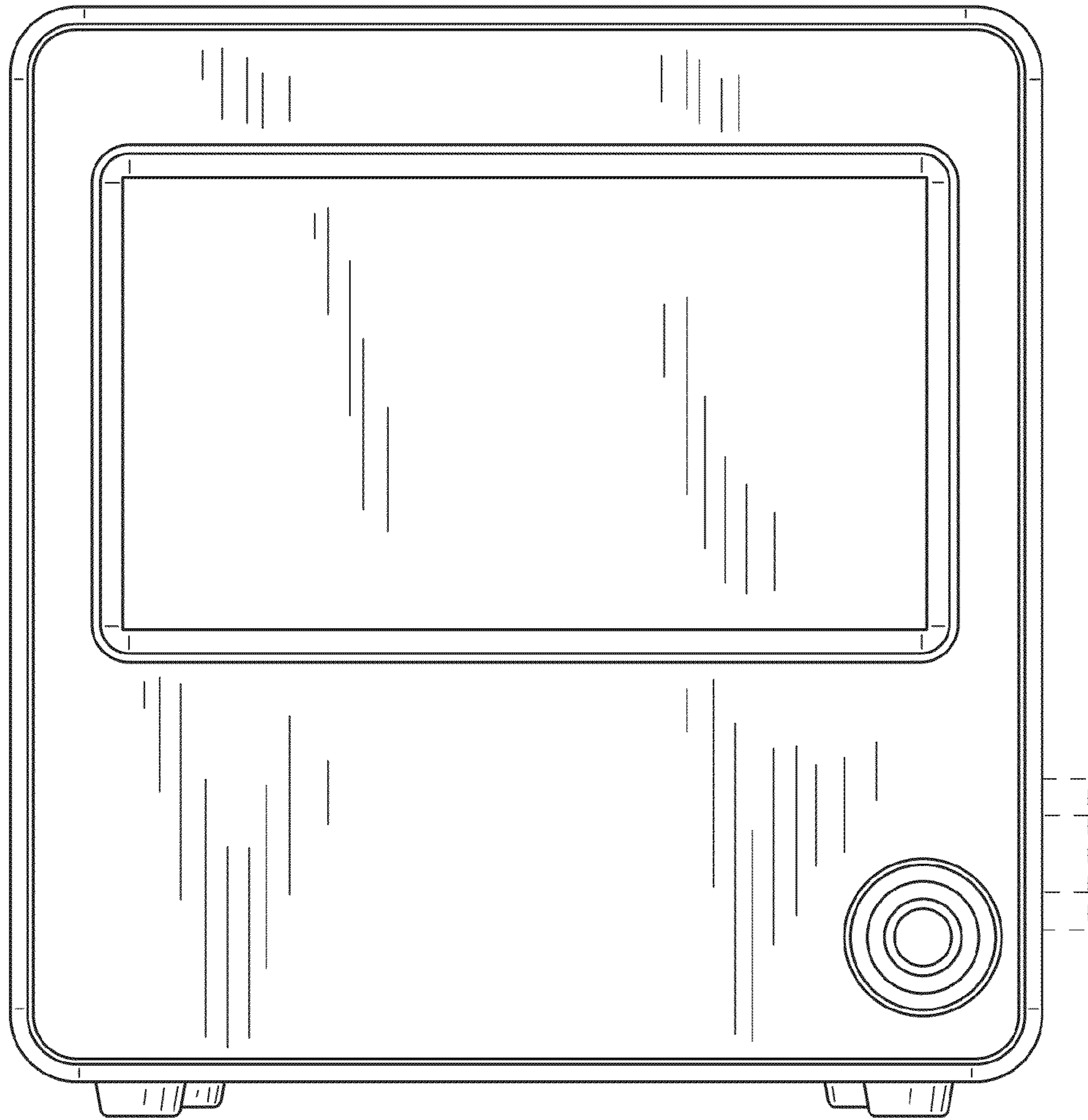


FIG.3

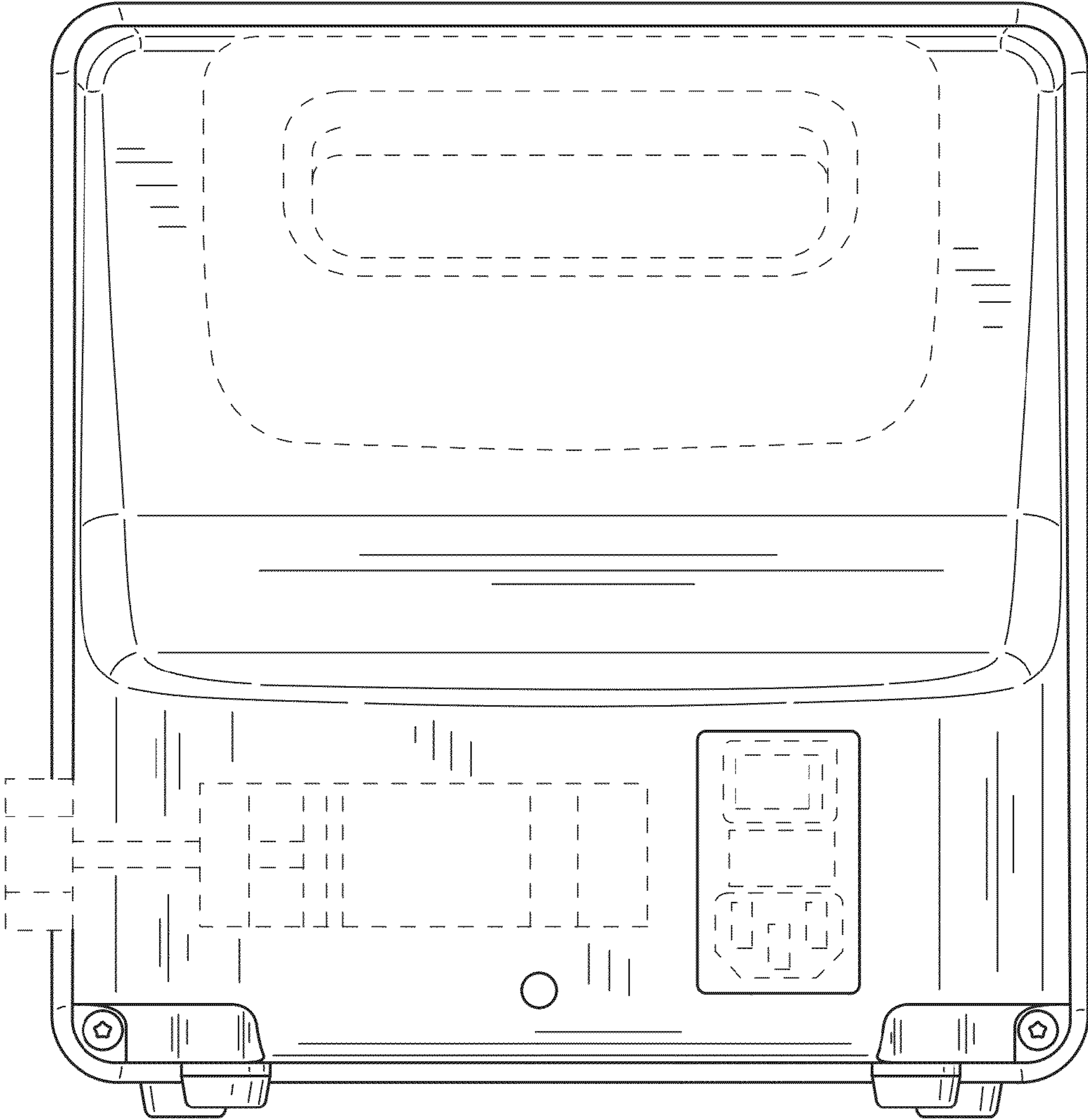


FIG.4

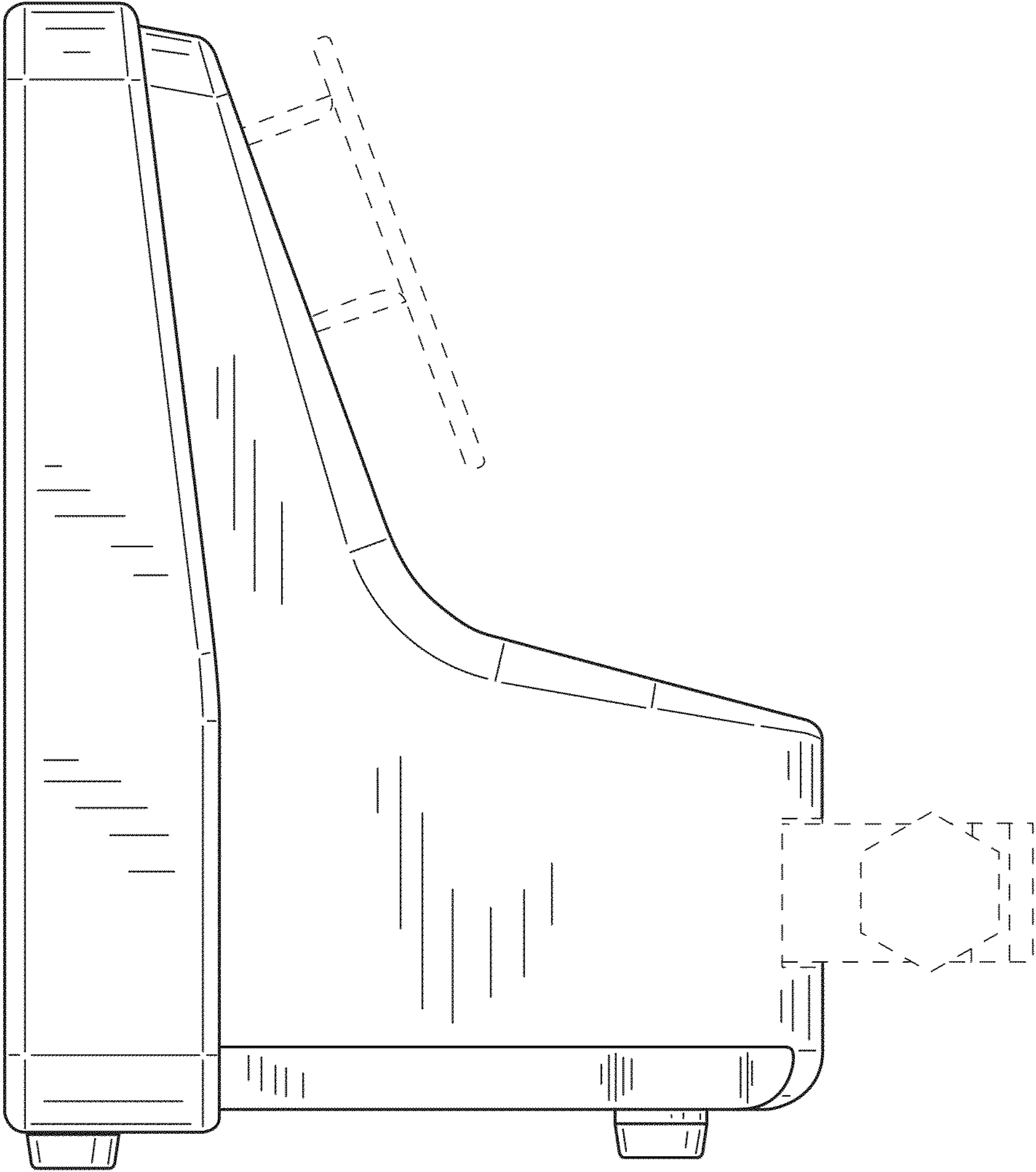


FIG.5

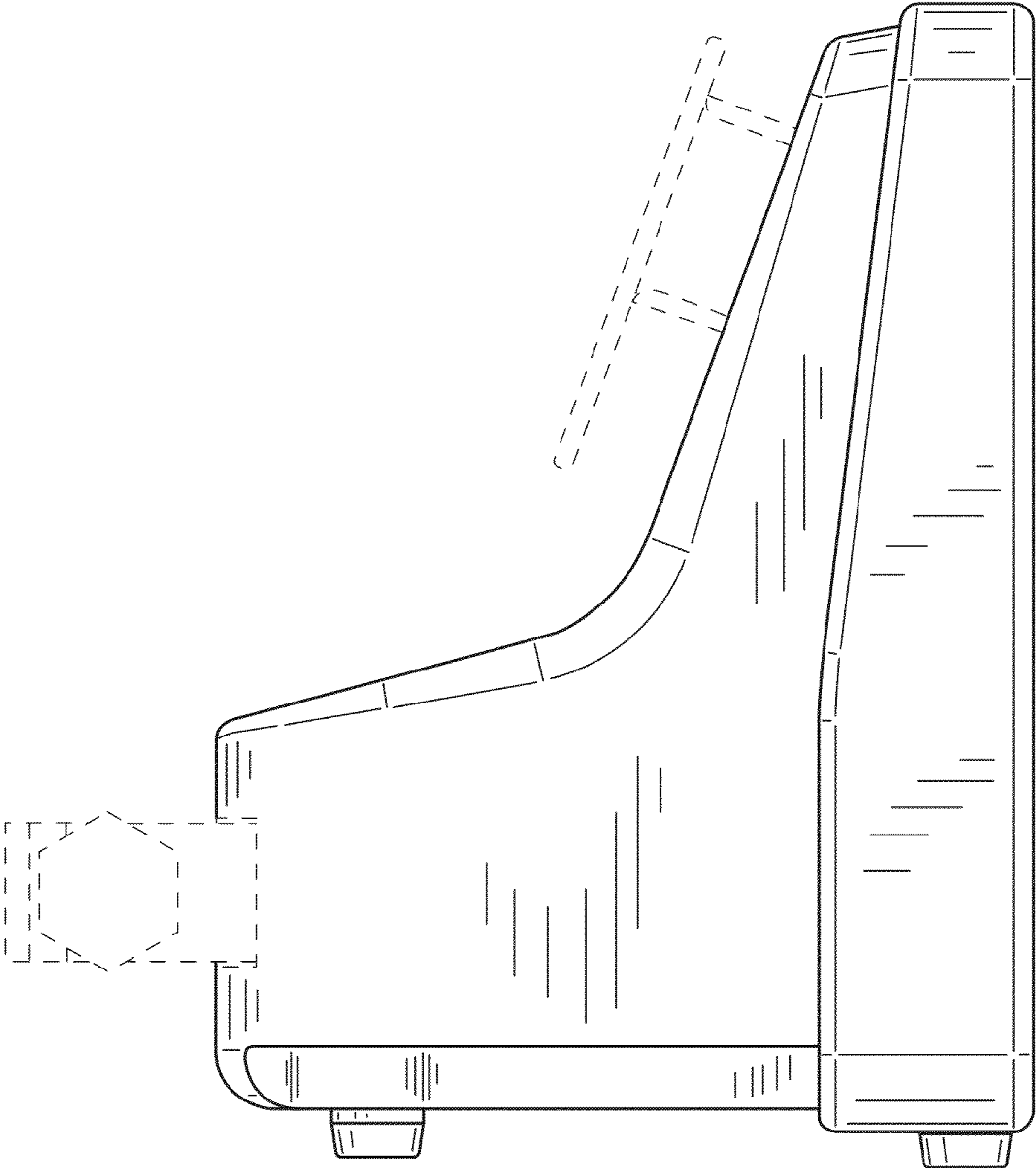


FIG.6

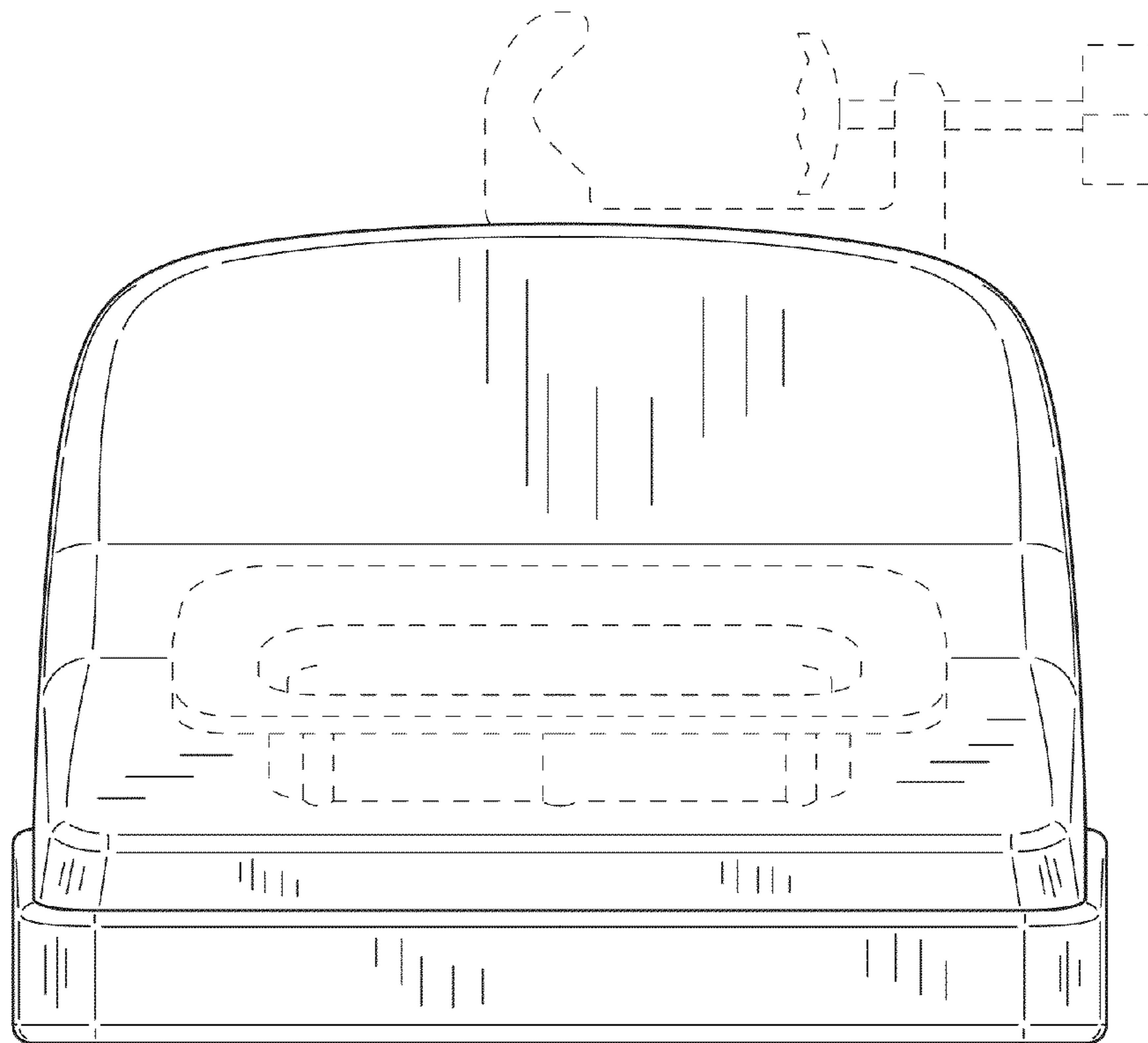


FIG.7

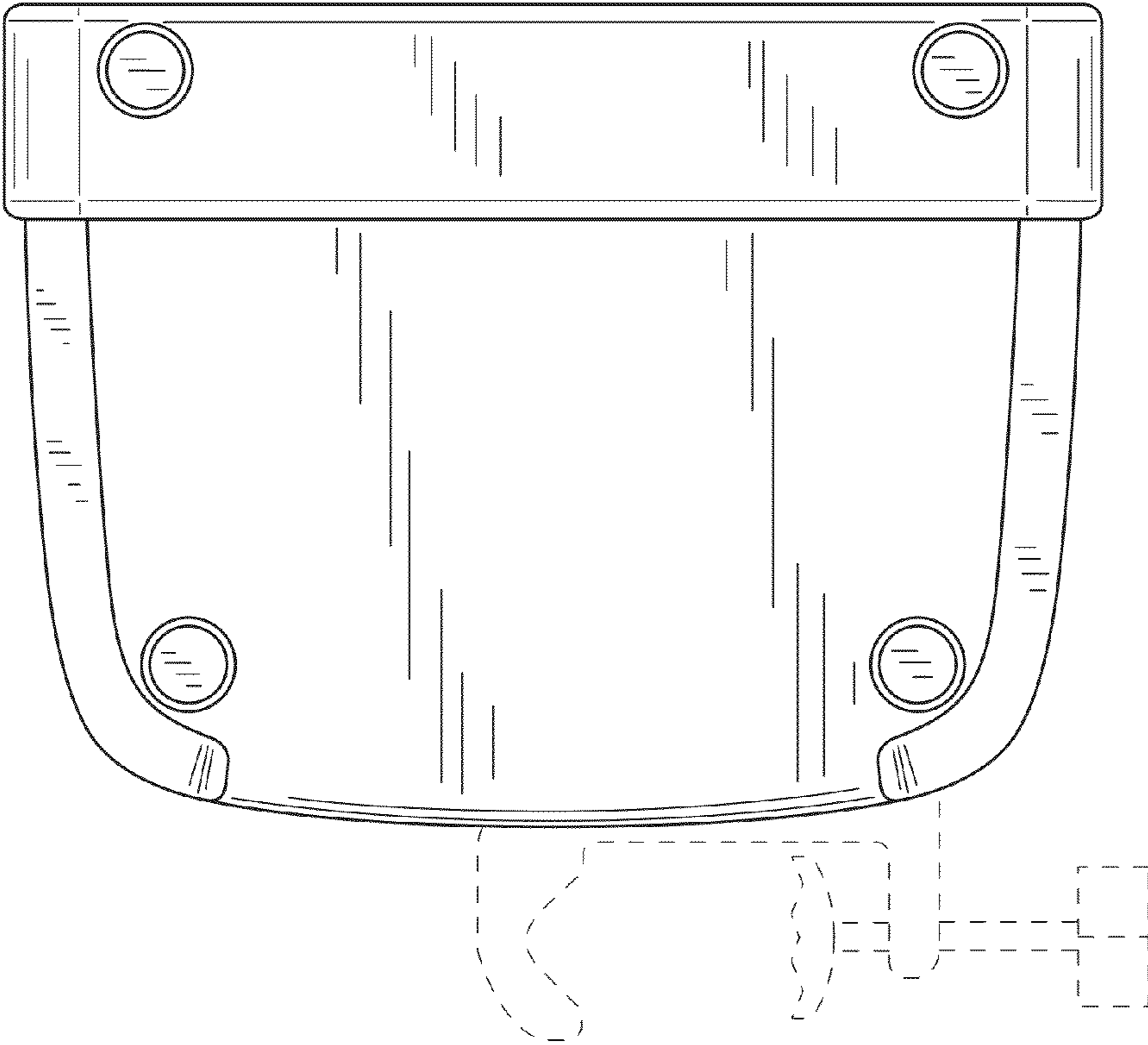


FIG.8