



US00D722626S

(12) **United States Design Patent**  
**Atzlinger**

(10) **Patent No.:** **US D722,626 S**

(45) **Date of Patent:** **\*\* Feb. 17, 2015**

(54) **CRUSHER**

(71) Applicant: **HARTL Engineering & Marketing GmbH, Mauthausen (AT)**

(72) Inventor: **Rainer Atzlinger, Mauthausen (AT)**

(73) Assignee: **HARTL Engineering & Marketing GmbH, Mauthausen (AT)**

(\*\*) Term: **14 Years**

(21) Appl. No.: **29/440,338**

(22) Filed: **Dec. 20, 2012**

(51) **LOC (10) Cl.** ..... **15-09**

(52) **U.S. Cl.**  
USPC ..... **D15/123**

(58) **Field of Classification Search**  
USPC ..... D15/122, 123; 72/448, 455, 465;  
100/207, 208, 214, 268, 282, 292;  
241/31, 58, 159, 179, 186, 236, 285;  
435/86, 135, 347, 348.5, 349, 350,  
435/353, 355, 358, 360  
See application file for complete search history.

(56) **References Cited**

**U.S. PATENT DOCUMENTS**

3,074,657	A *	1/1963	Bridgewater	.....	241/275
3,154,259	A *	10/1964	Behnke et al.	.....	241/275
4,091,725	A *	5/1978	Arp	.....	100/45
4,768,723	A *	9/1988	Fritz	.....	241/268
4,796,822	A *	1/1989	Terrenzio	.....	241/275
5,111,927	A *	5/1992	Schulze, Jr.	.....	194/209
5,125,331	A *	6/1992	Wood	.....	100/37

D331,414	S *	12/1992	Long	.....	D15/123
D337,773	S *	7/1993	Jones	.....	D15/123
D350,142	S *	8/1994	Imanishi et al.	.....	D15/123
D354,293	S *	1/1995	Brown, Jr.	.....	D15/123
5,775,609	A *	7/1998	Ackers et al.	.....	241/285.3
D413,339	S *	8/1999	Wales, Jr.	.....	D15/123
6,311,908	B1 *	11/2001	Kajiyama et al.	.....	241/29
6,827,301	B1 *	12/2004	Kassuba	.....	241/37
D557,294	S *	12/2007	Okuya	.....	D15/123
D561,789	S *	2/2008	Murphy et al.	.....	D15/123
2013/0146692	A1 *	6/2013	Dallimore et al.	.....	241/27
2013/0153697	A1 *	6/2013	Ito et al.	.....	241/36

\* cited by examiner

*Primary Examiner* — Patricia Palasik

(74) *Attorney, Agent, or Firm* — Notaro, Michalos & Zaccaria P.C.

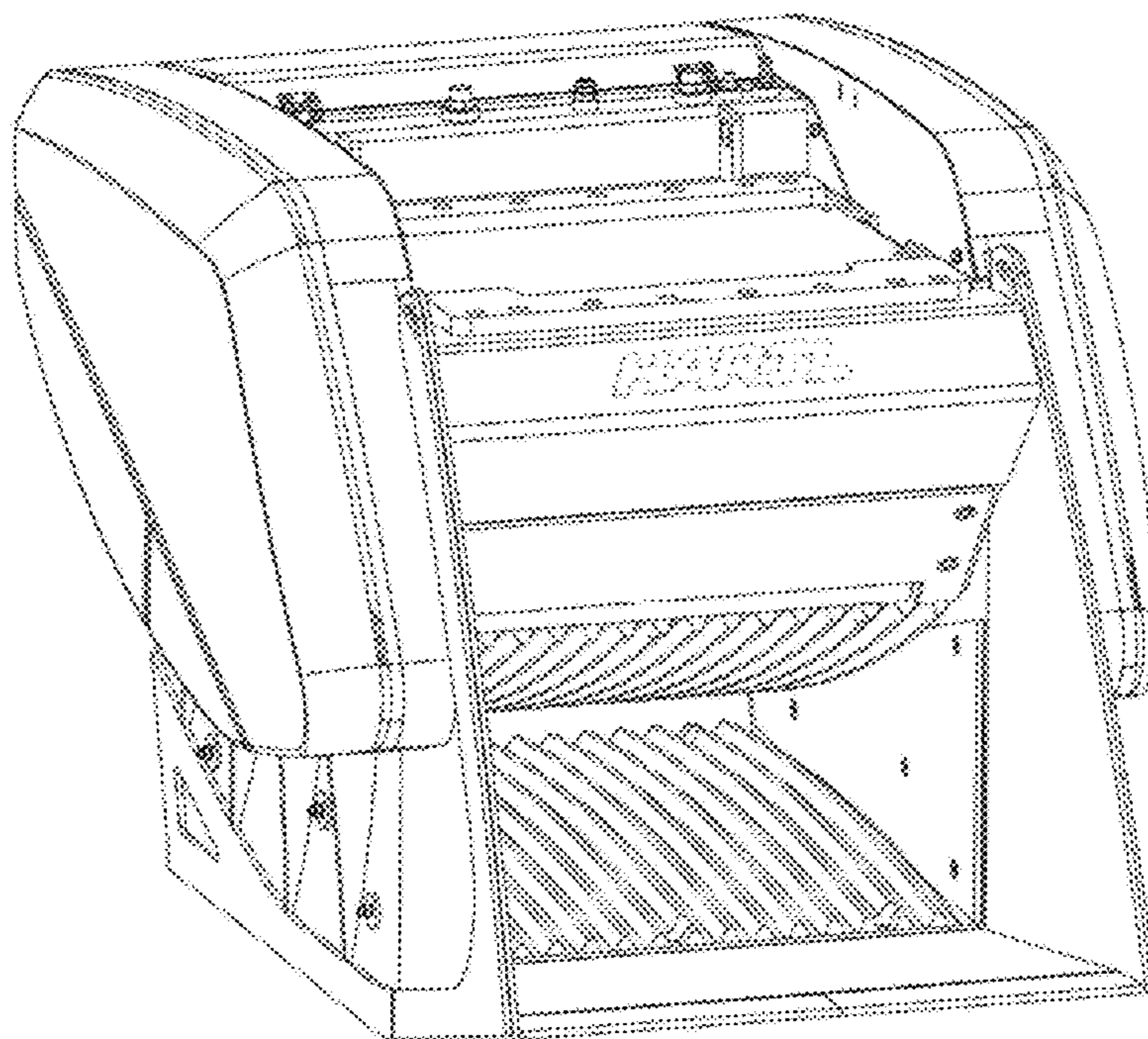
(57) **CLAIM**

The ornamental design for a crusher, as shown and described.

**DESCRIPTION**

FIG. 1 is a front, top, right perspective view of a crusher showing my design therefor;  
FIG. 2 is a front perspective view thereof;  
FIG. 3 is a rear perspective view thereof;  
FIG. 4 is a bottom perspective view thereof;  
FIG. 5 is a top perspective view thereof;  
FIG. 6 is a left side elevational view thereof;  
FIG. 7 is a right side elevational view thereof;  
FIG. 8 is a bottom, rear, left perspective view thereof;  
FIG. 9 is a bottom, front, right perspective view thereof;  
FIG. 10 is a bottom, rear, right perspective view thereof; and,  
FIG. 11 is a top, rear, left perspective view thereof.

**1 Claim, 11 Drawing Sheets**



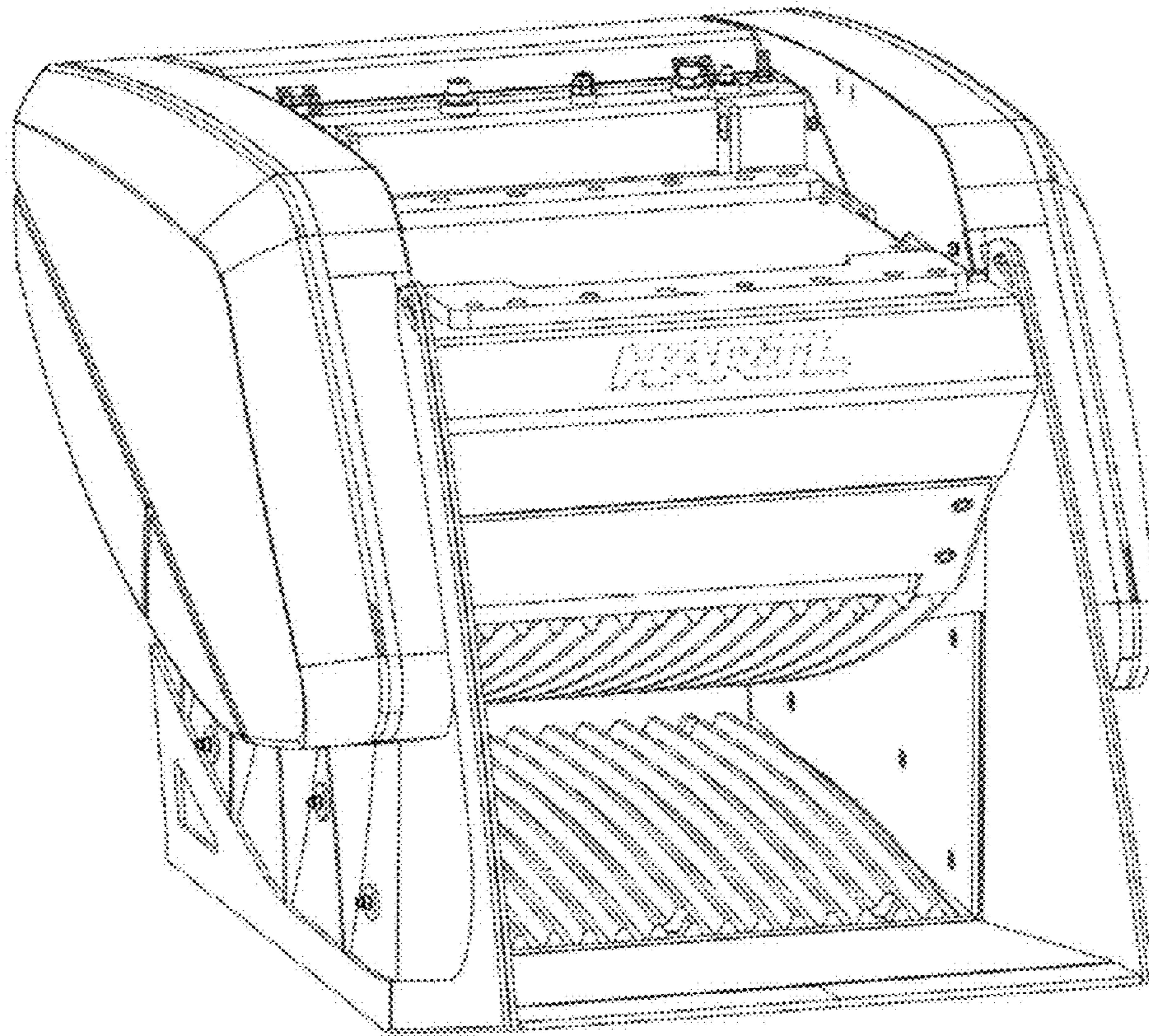


FIG. 1

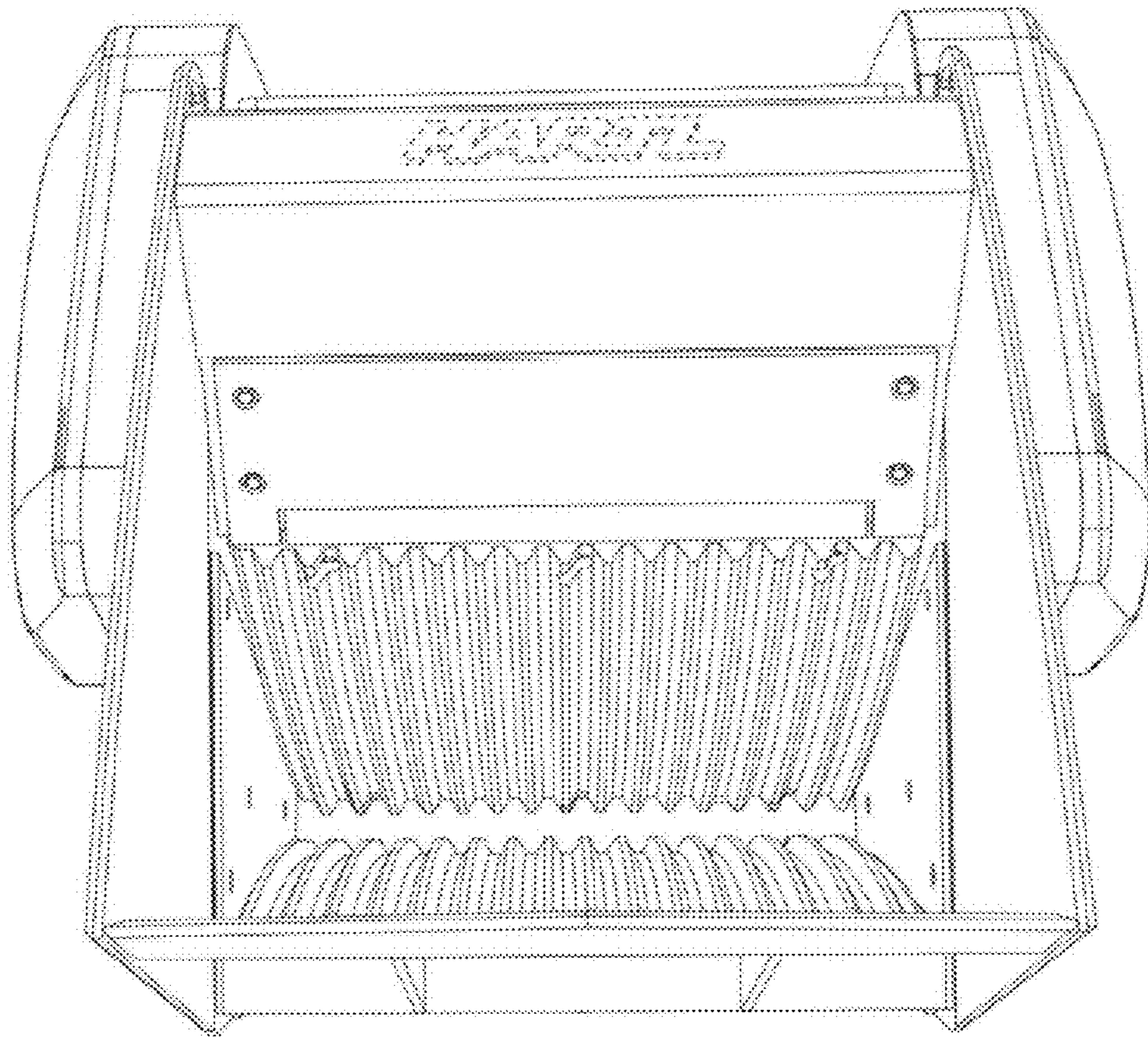


FIG. 2

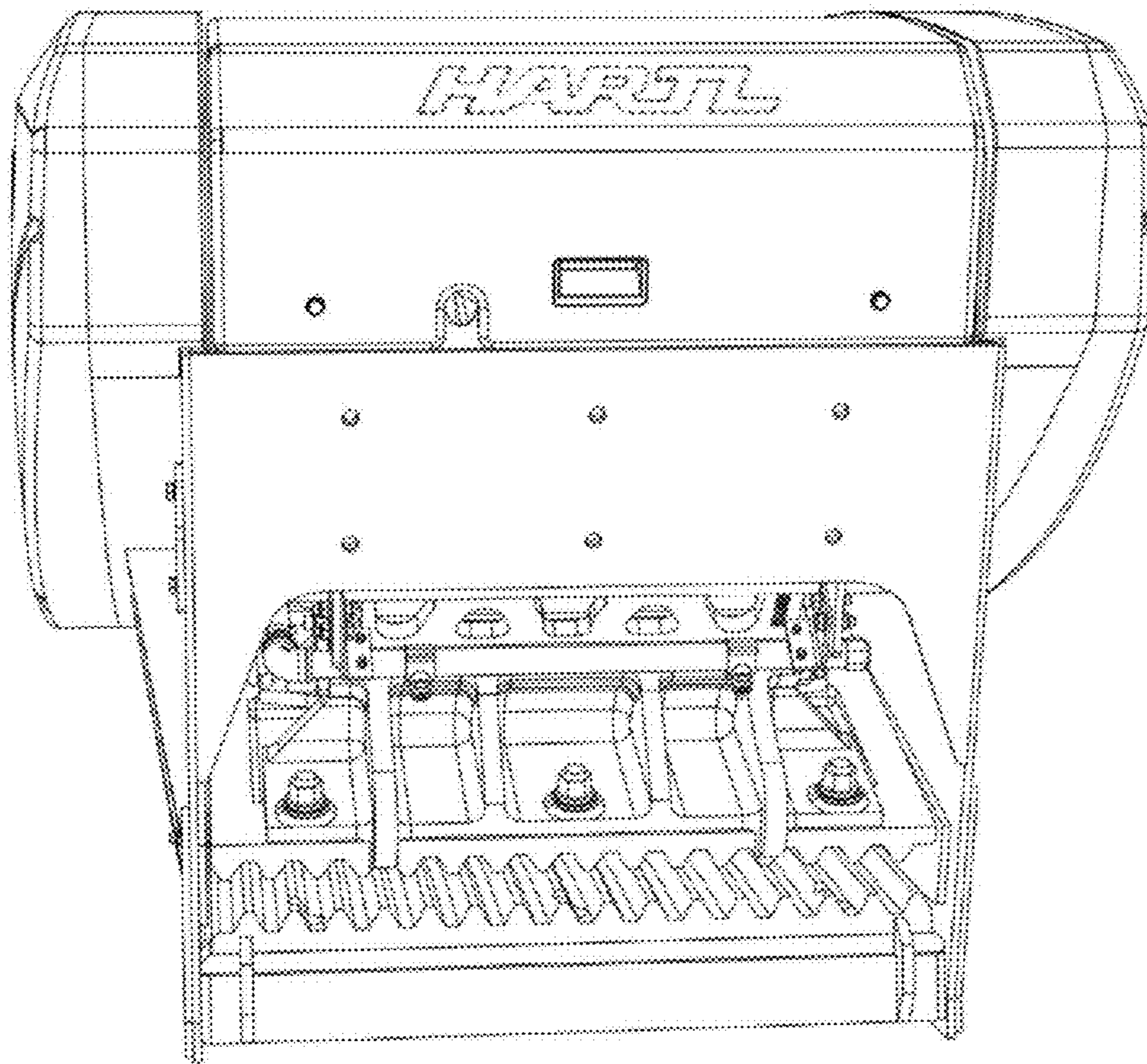


FIG. 3

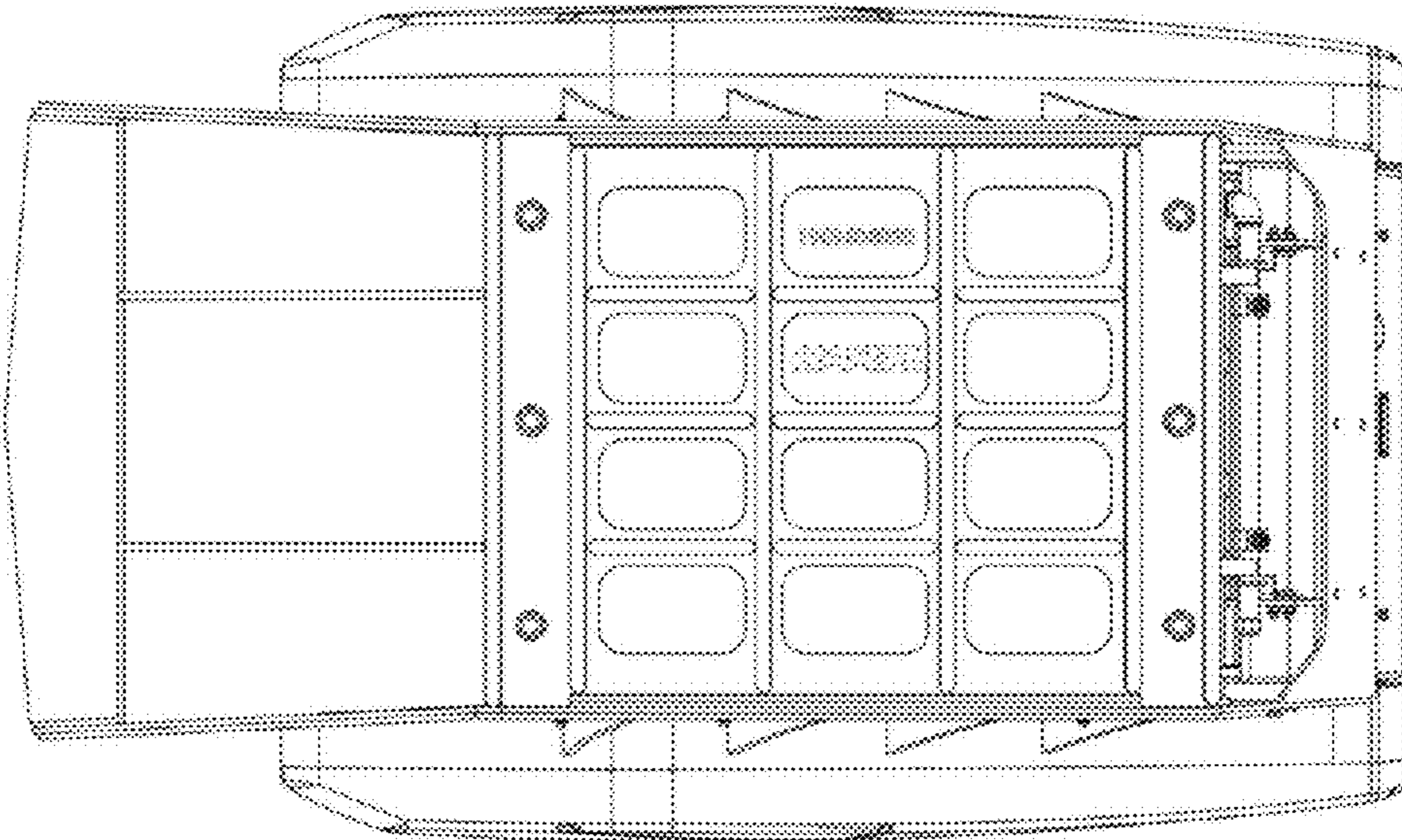


FIG. 4

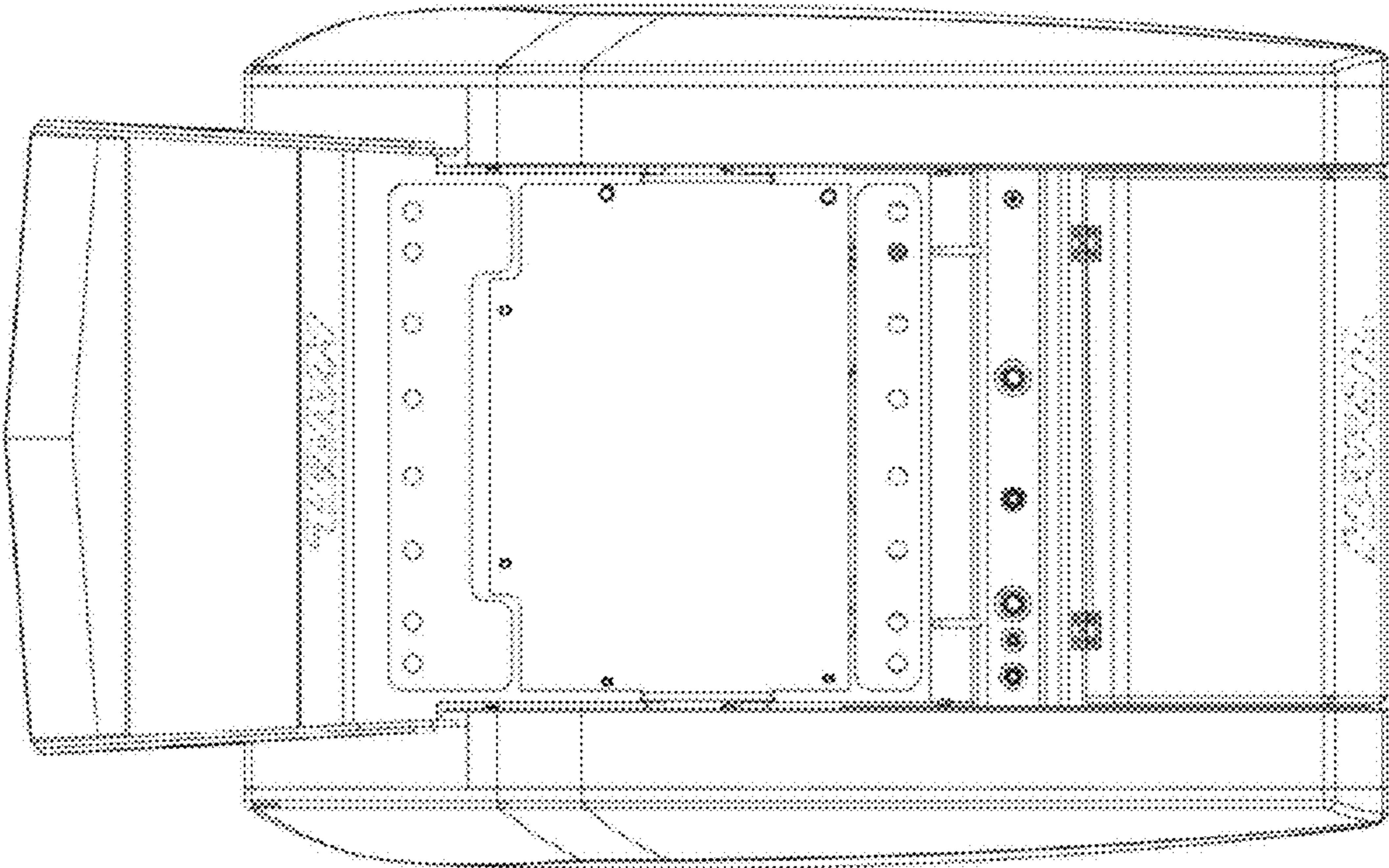


FIG. 5

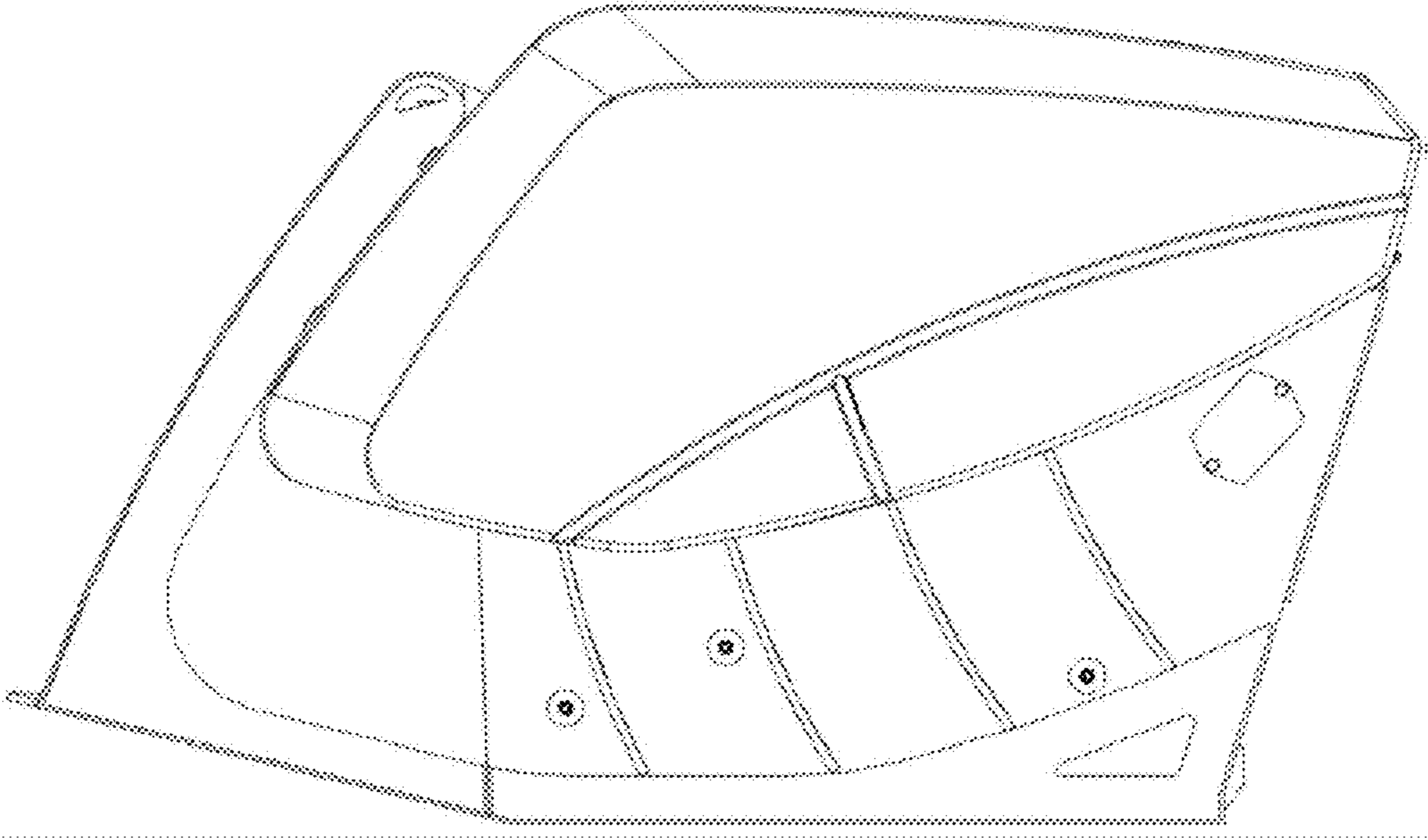


FIG. 6

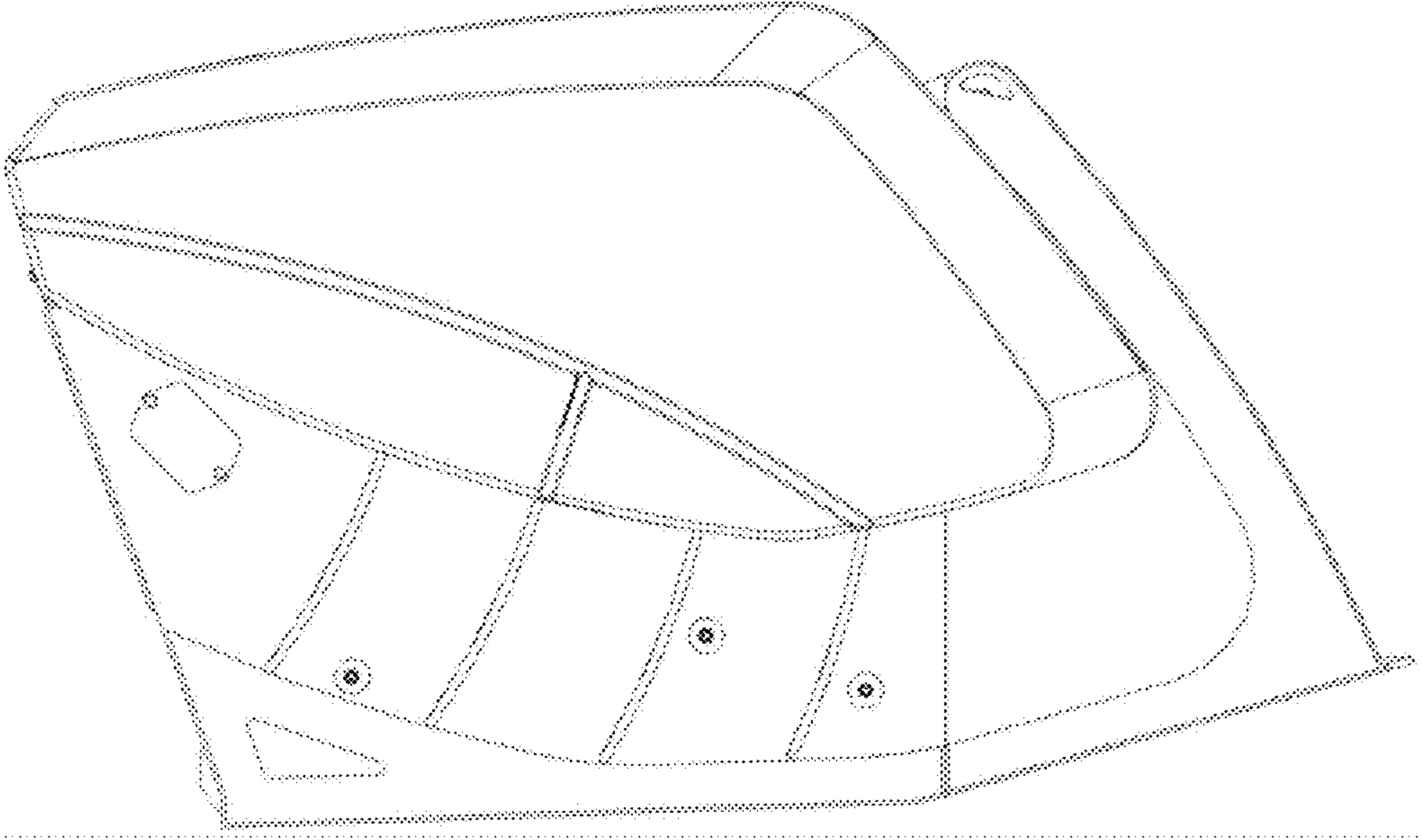


FIG. 7



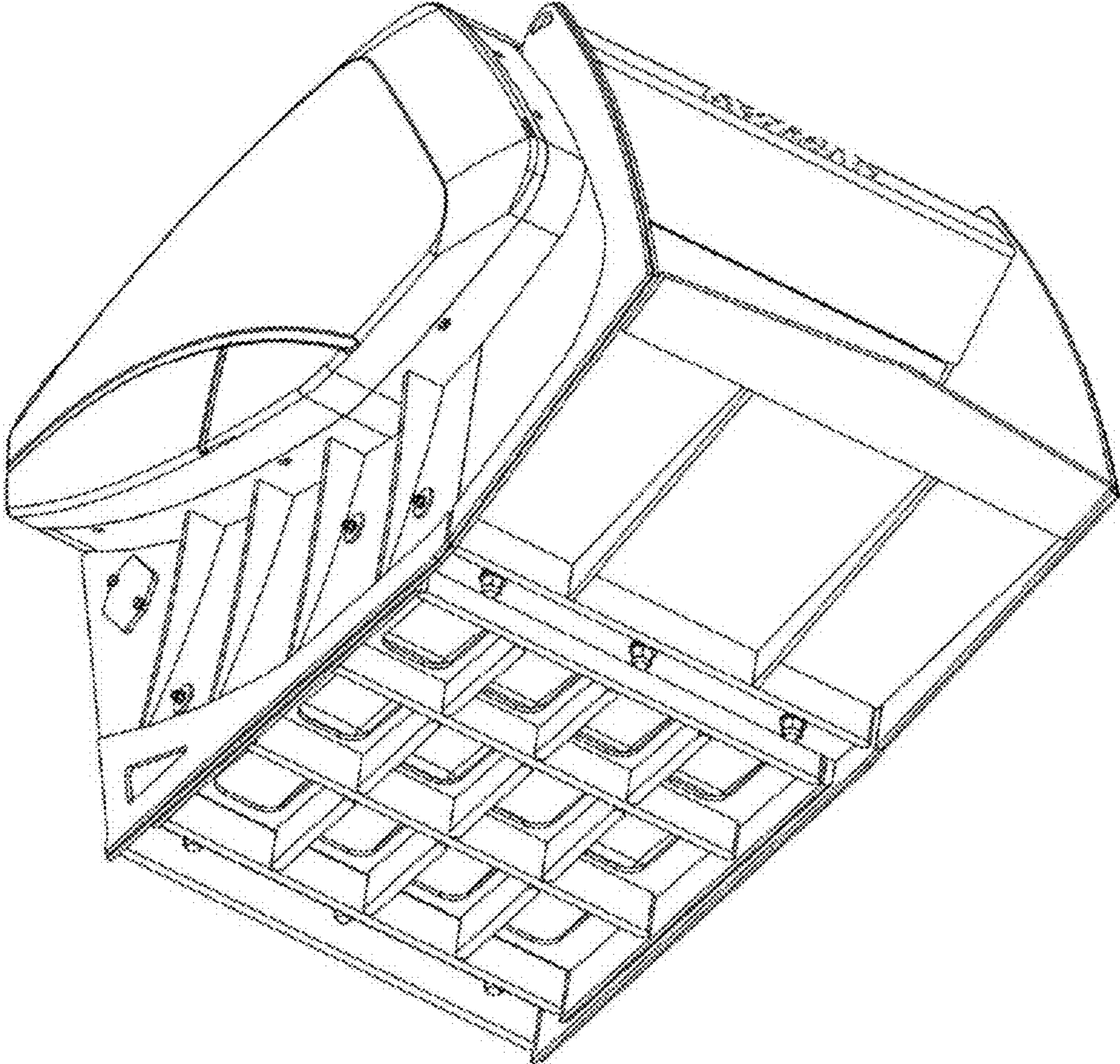


FIG. 8

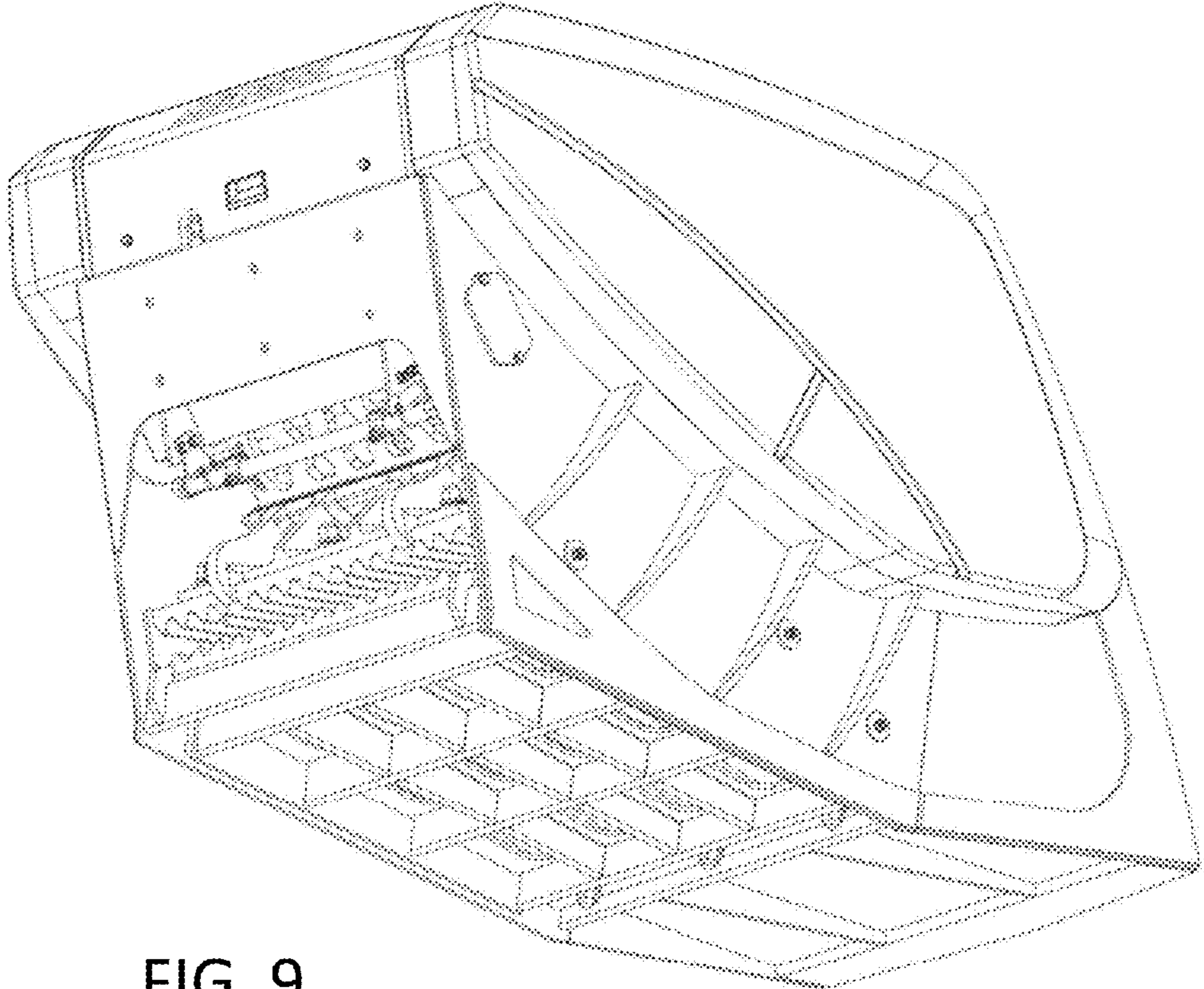


FIG. 9

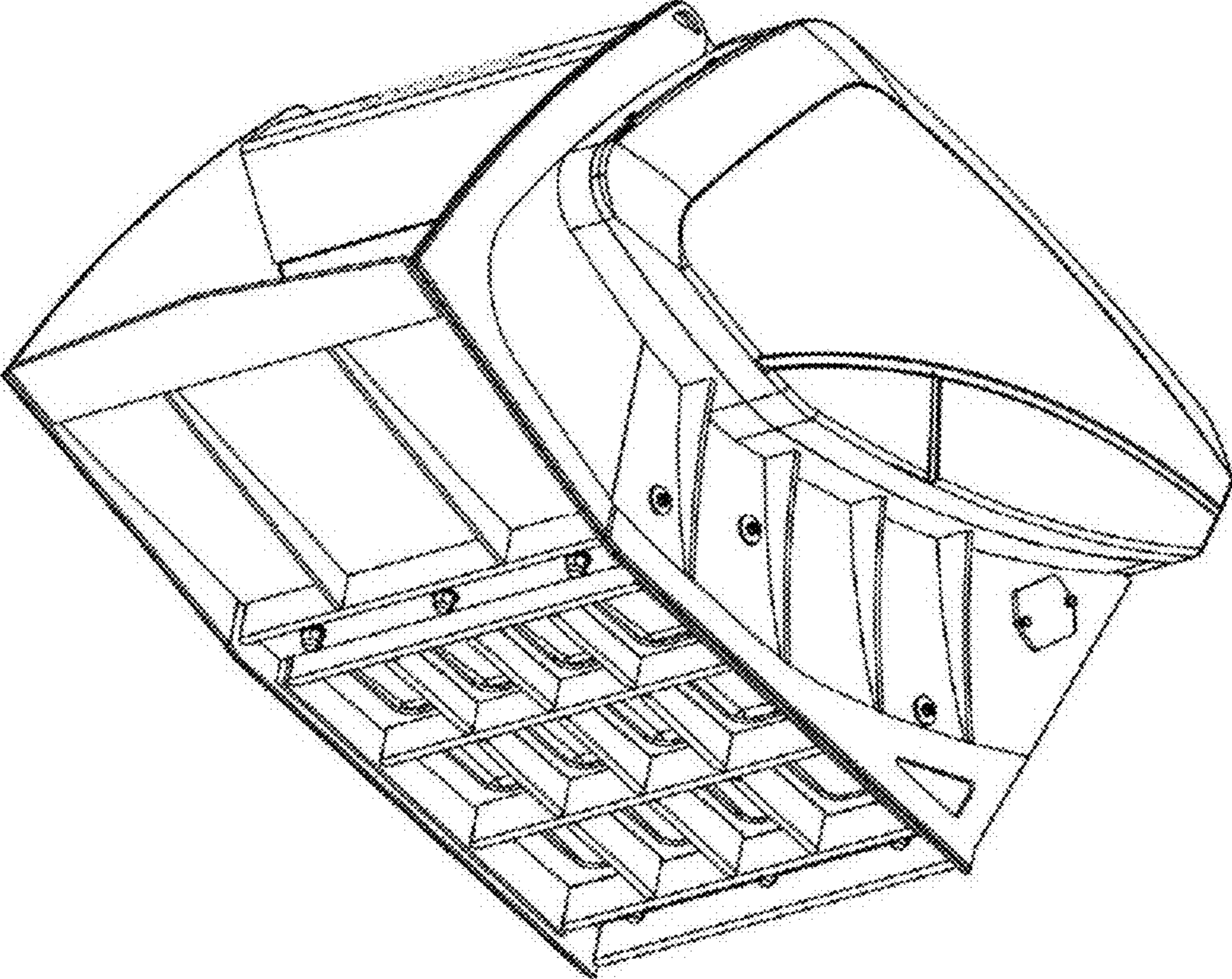


FIG. 10

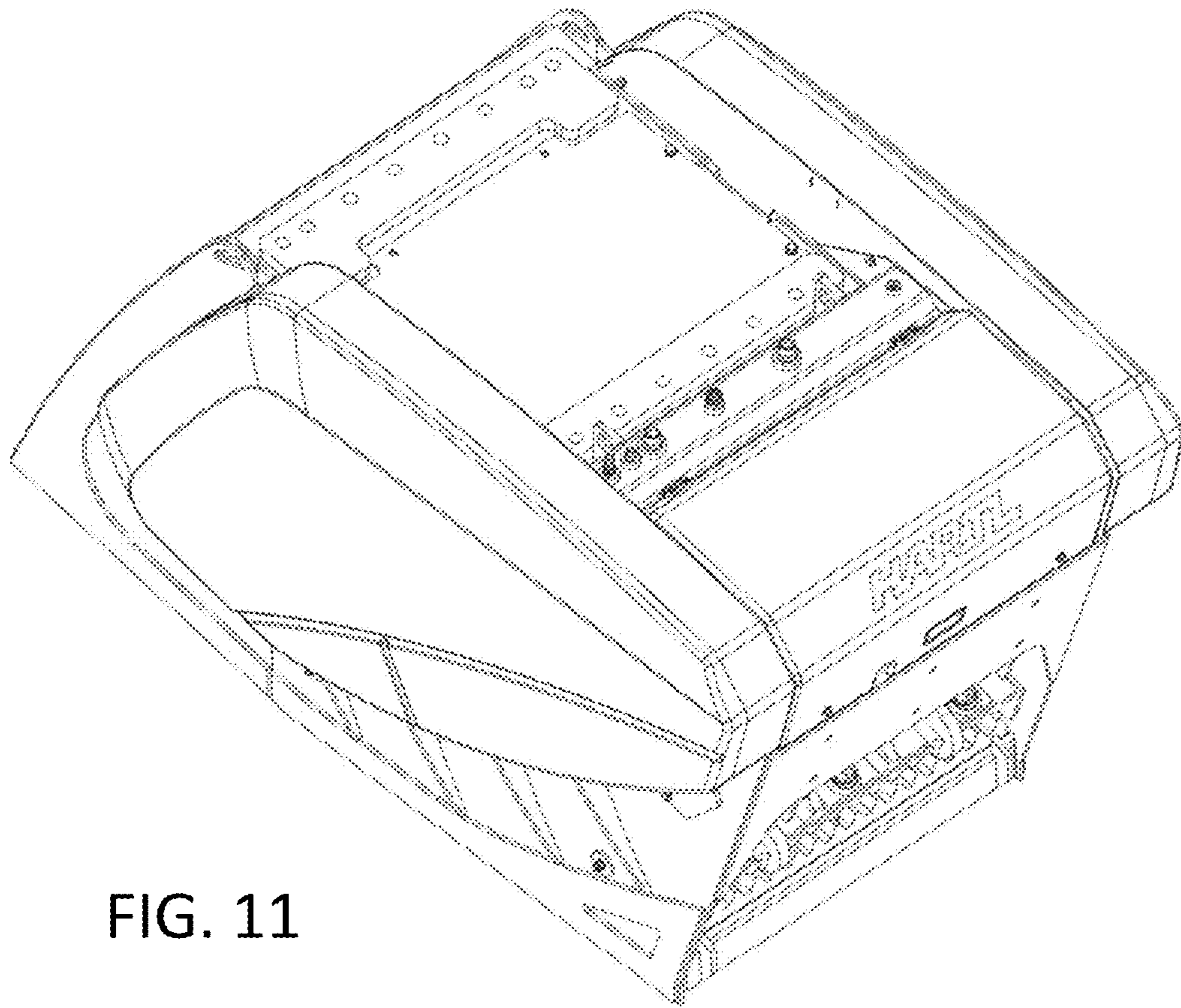


FIG. 11