



US00D722621S

(12) **United States Design Patent**
Gray et al.

(10) **Patent No.:** **US D722,621 S**

(45) **Date of Patent:** **** Feb. 17, 2015**

(54) **SEAL**

(75) Inventors: **Geof J. Gray**, Woodstock (CA); **John Mark Averink**, Norwich (CA); **Jacobus A. Rozendaal**, Salford (CA); **Mikhail Rodionov**, Toronto (CA); **Peter T. Casamento**, Chardon, OH (US); **Bernard L. Casamento**, Mentor, OH (US); **William L. Moster**, Chardon, OH (US)

(73) Assignee: **Salford Group Inc.**, Salford (CA)

(**) Term: **14 Years**

(21) Appl. No.: **29/407,268**

(22) Filed: **Nov. 25, 2011**

(51) **LOC (10) Cl.** **15-03**

(52) **U.S. Cl.**
USPC **D15/28**

(58) **Field of Classification Search**
USPC D15/7, 9, 11, 17, 21, 28, 123, 199;
D23/269, 386, 259; D8/349; 277/602,
277/608, 625, 626; 285/95, 109, 336, 910,
285/918

See application file for complete search history.

(56) **References Cited**

U.S. PATENT DOCUMENTS

5,599,600 A * 2/1997 Rau 428/36.9
D379,493 S * 5/1997 Woods D23/269
D402,354 S * 12/1998 Strong et al. D23/259

D435,090 S * 12/2000 Stout, Jr. D23/269
D437,034 S * 1/2001 Stout, Jr. D23/269
D442,609 S * 5/2001 Quantz et al. D15/123
D447,222 S * 8/2001 Mathers D23/269
D539,117 S * 3/2007 Sealey et al. D8/349
D553,238 S * 10/2007 Haggkvist D23/386
D570,374 S * 6/2008 Hideki et al. D15/7
D570,375 S * 6/2008 Hideki et al. D15/7
D572,348 S * 7/2008 Arosio D23/269
D582,436 S * 12/2008 Shimomura et al. D15/7
D582,437 S * 12/2008 Shimomura et al. D15/7
D582,438 S * 12/2008 Shimomura et al. D15/7
D582,439 S * 12/2008 Shimomura et al. D15/7
D582,440 S * 12/2008 Shimomura et al. D15/7
D582,441 S * 12/2008 Shimomura et al. D15/7
D616,966 S * 6/2010 Angell D23/262
D619,449 S * 7/2010 Smith et al. D8/382
D627,216 S * 11/2010 Fulginiti D8/499
D631,066 S * 1/2011 Itadani et al. D15/9

* cited by examiner

Primary Examiner — Mark Goodwin

(74) *Attorney, Agent, or Firm* — Brunet & Co. Ltd; Robert A. H. Brunet

(57) **CLAIM**

The ornamental design for a seal, as shown and described.

DESCRIPTION

FIG. 1 is a top perspective view of a seal showing our new design;

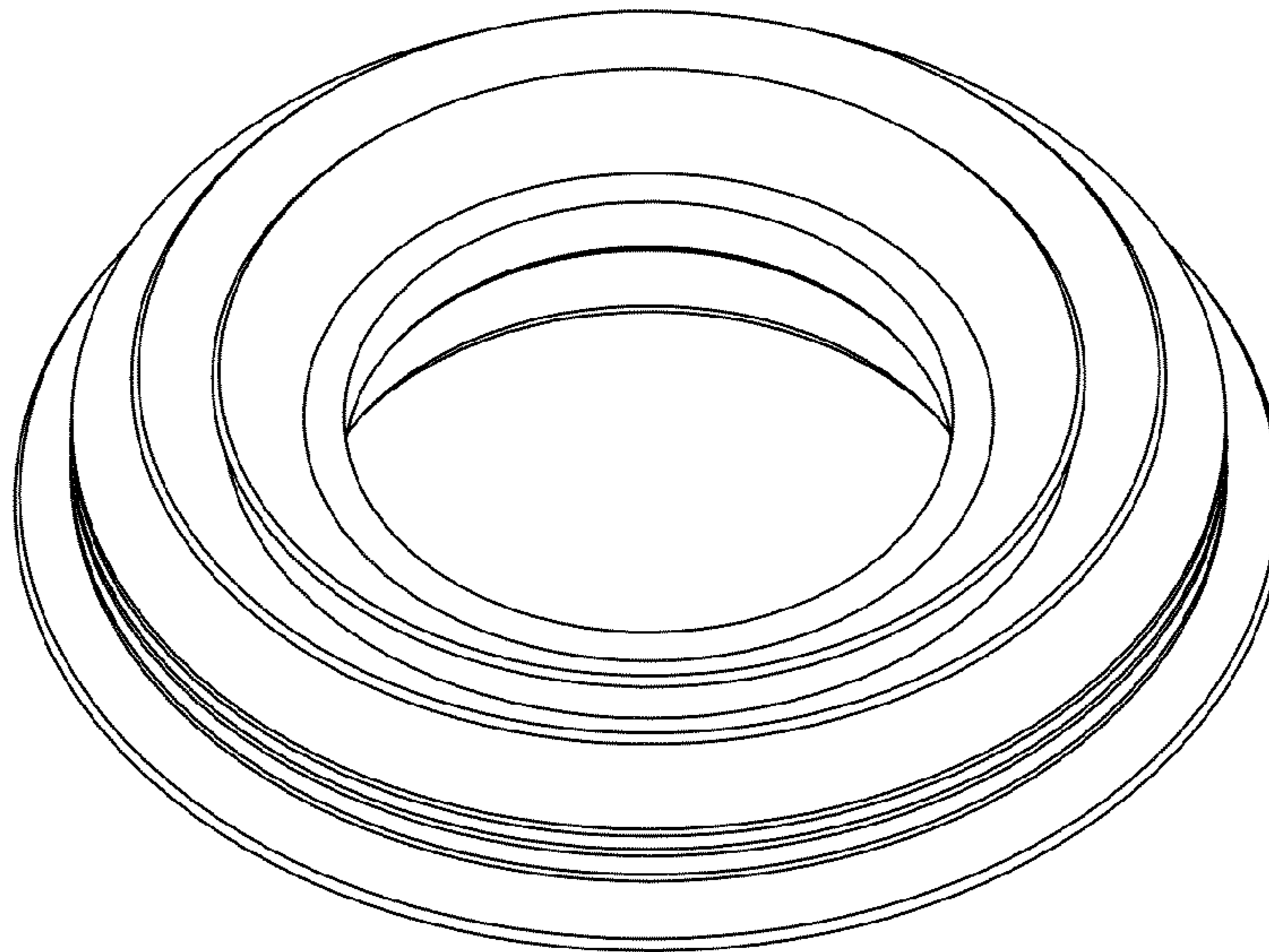
FIG. 2 is a top plan view thereof;

FIG. 3 is a side view thereof;

FIG. 4 is a bottom plan view thereof; and,

FIG. 5 is a bottom perspective view thereof.

1 Claim, 5 Drawing Sheets



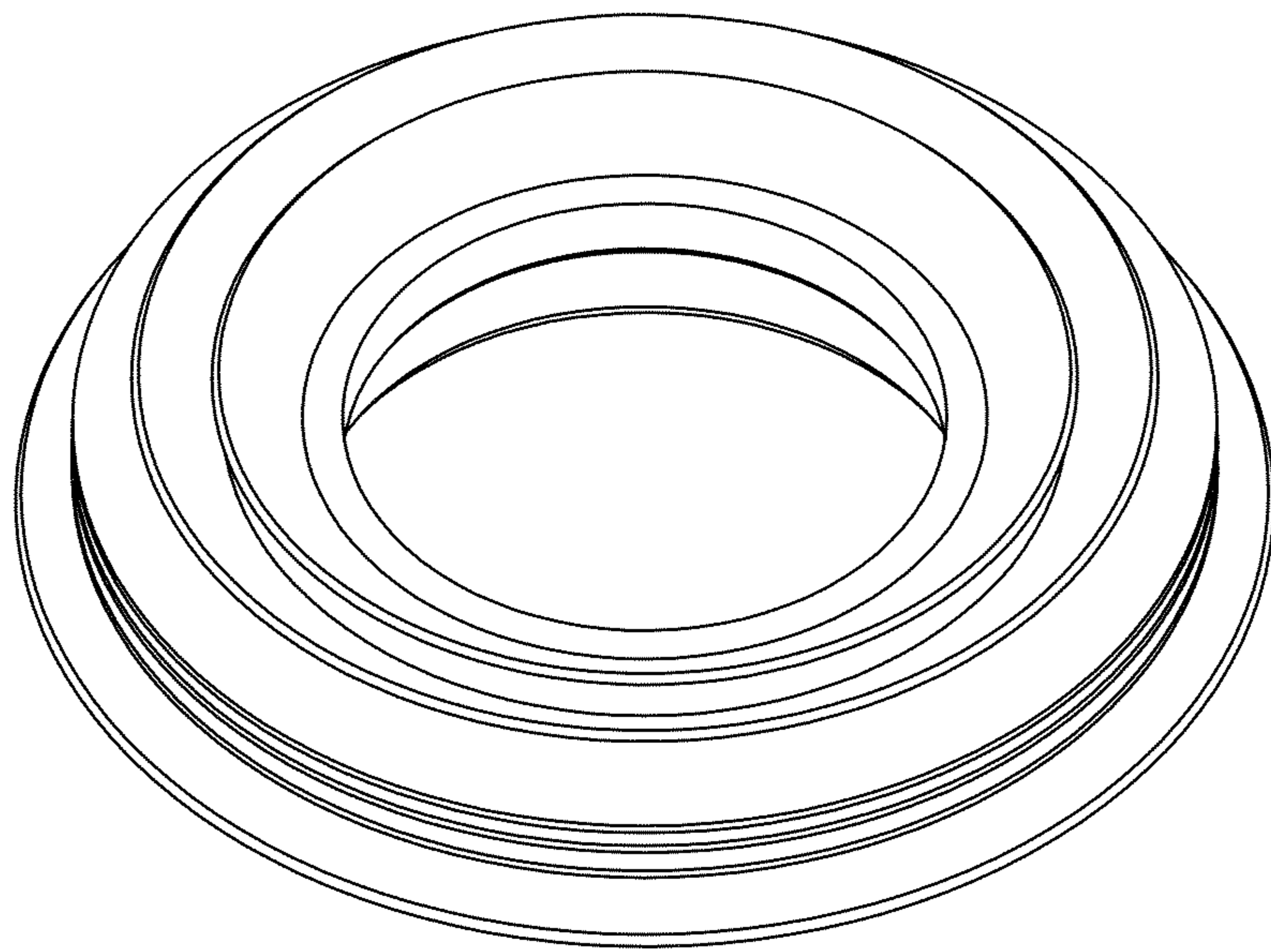


Figure 1

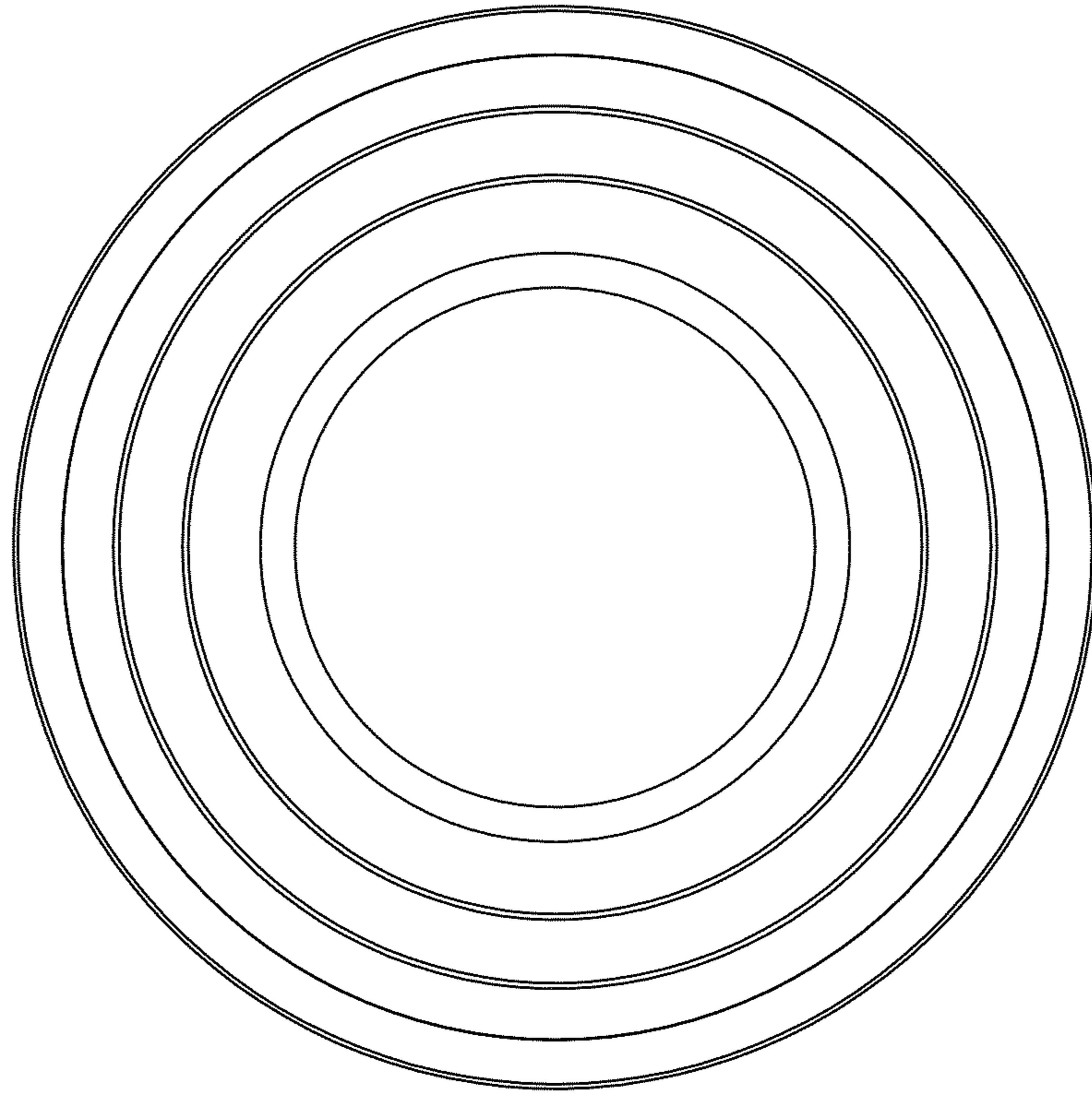


Figure 2

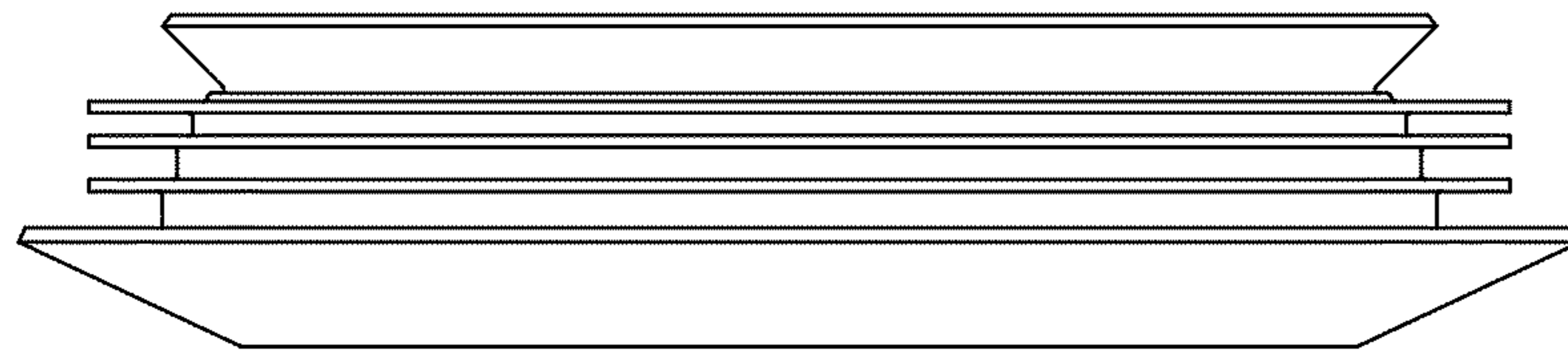


Figure 3

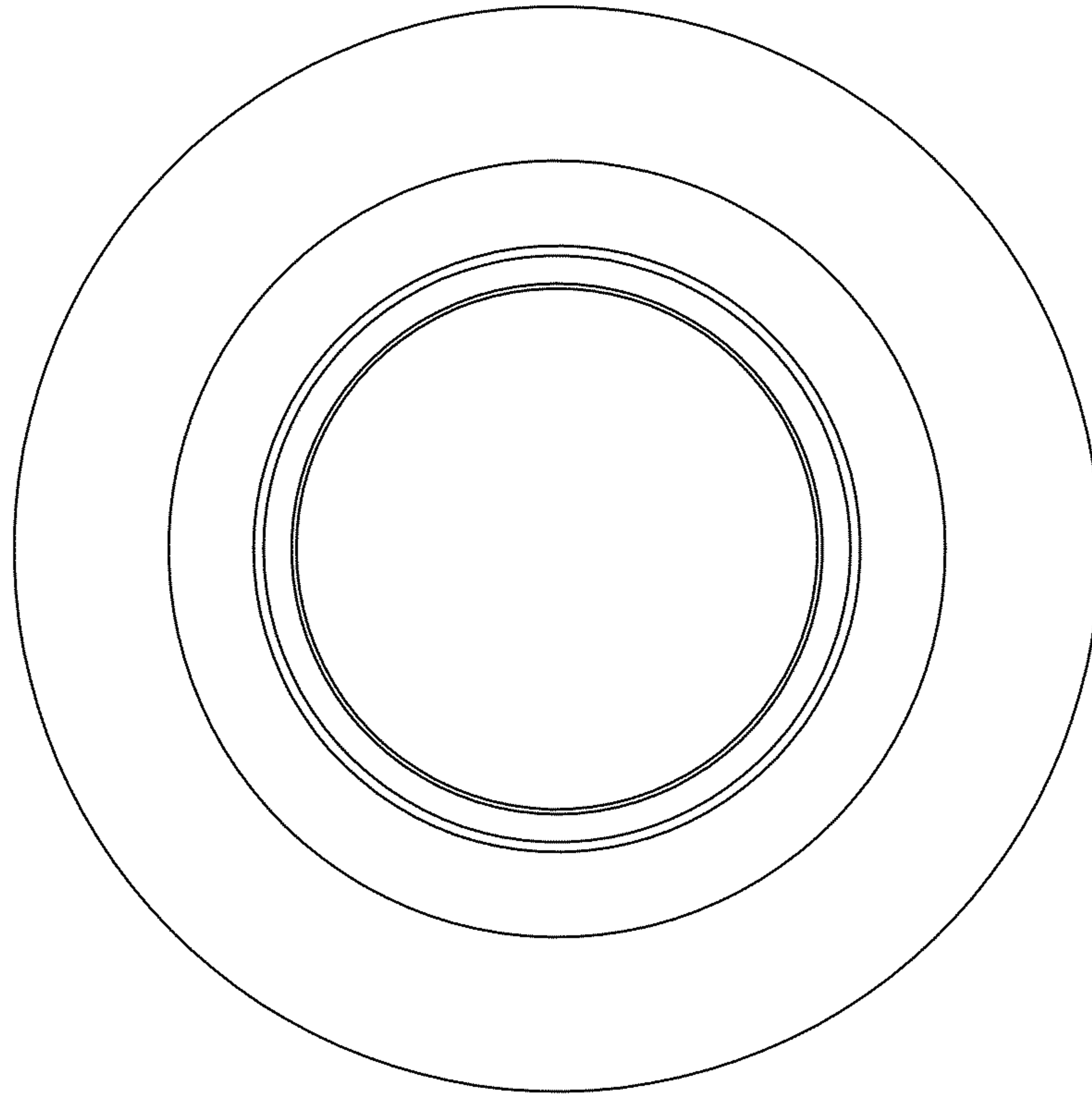


Figure 4

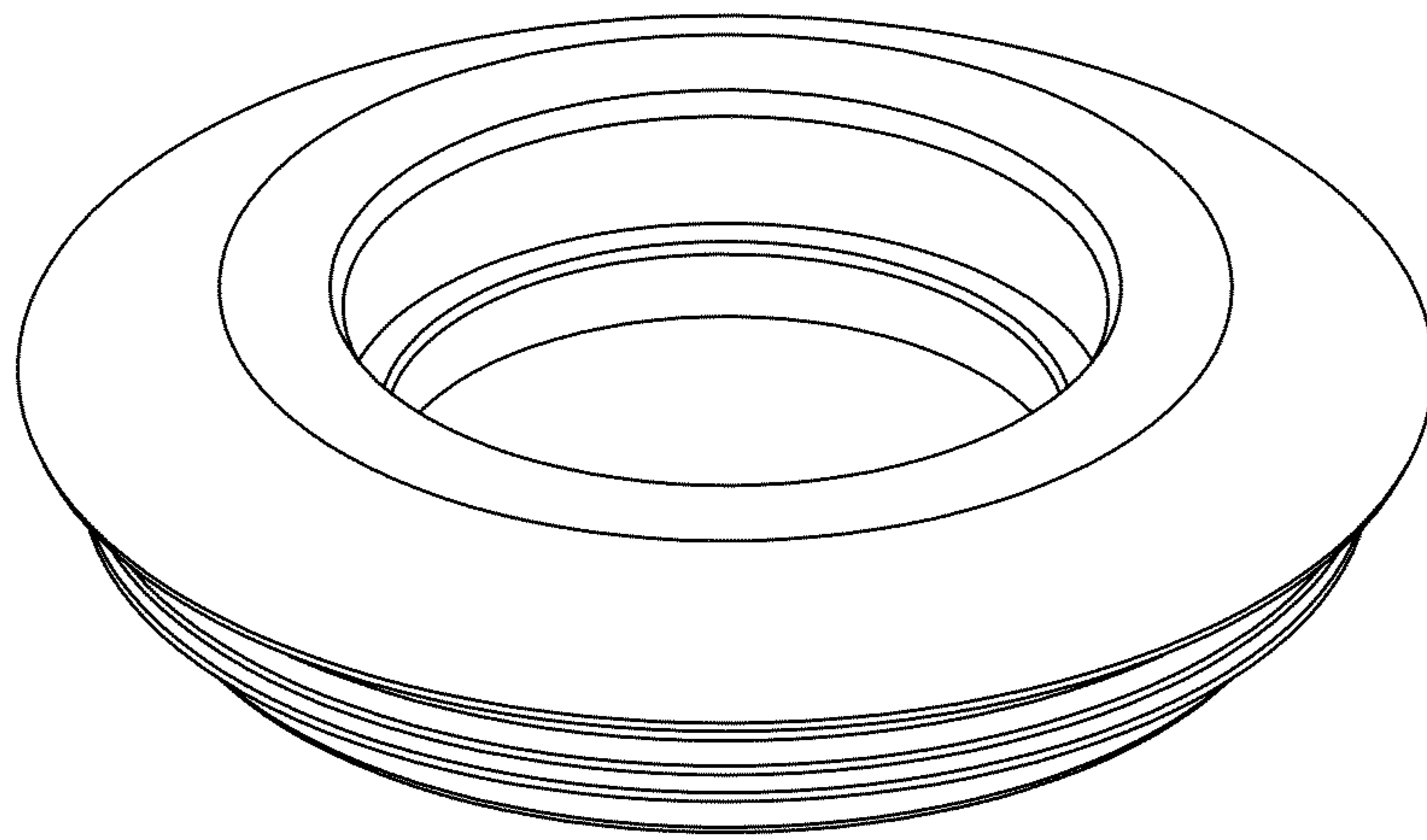


Figure 5