



US00D722620S

(12) **United States Design Patent**  
**Phillips et al.**

(10) **Patent No.:** **US D722,620 S**

(45) **Date of Patent:** **\*\* Feb. 17, 2015**

(54) **SIDE CONSOLE**

(71) Applicant: **Husqvarna AB**, Huskvarna (SE)

(72) Inventors: **Tiawaun Phillips**, Clover, SC (US);  
**Jeremy Hansen**, Charlotte, NC (US);  
**Eric Tse**, Charlotte, NC (US); **Jerry Sandy**, Fort Mill, SC (US); **Sean Dwyer**, Gastonia, NC (US)

(73) Assignee: **Husqvarna AB**, Huskvarna (SE)

(\*\*) Term: **14 Years**

(21) Appl. No.: **29/492,454**

(22) Filed: **May 30, 2014**

(51) **LOC (10) Cl.** ..... **15-03**

(52) **U.S. Cl.**  
USPC ..... **D15/17; D15/31**

(58) **Field of Classification Search**  
USPC ..... D15/14, 15, 17, 21-26, 28, 31, 33;  
180/89.1, 89.12, 900; 56/15.8, 255,  
56/294, 295, 13.3, 13.4, 16.6, 16.7, 17.1,  
56/202, 320.1, 320.2

See application file for complete search history.

(56) **References Cited**

**U.S. PATENT DOCUMENTS**

D344,960 S *	3/1994	Patterson et al.	.....	D15/17
D362,447 S *	9/1995	Lamb	.....	D15/15
D392,981 S *	3/1998	Smith	.....	D15/15
D392,982 S *	3/1998	Smith	.....	D15/17
D397,121 S *	8/1998	Smith	.....	D15/15
D398,311 S *	9/1998	Smith	.....	D15/15

D440,233 S *	4/2001	Smith	.....	D15/17
D447,491 S *	9/2001	Goebert et al.	.....	D15/17
D448,036 S *	9/2001	Goebert et al.	.....	D15/17
D450,330 S *	11/2001	Katoh et al.	.....	D15/15
D455,156 S *	4/2002	Rittfeldt	.....	D15/10
D495,718 S *	9/2004	Higashikawa	.....	D15/15
D512,444 S *	12/2005	Ayers et al.	.....	D15/15
D560,690 S *	1/2008	Higashikawa	.....	D15/10
D626,572 S *	11/2010	Moriguchi et al.	.....	D15/15
D636,001 S *	4/2011	Martin et al.	.....	D15/33
D656,965 S *	4/2012	Ortlund et al.	.....	D15/17
D681,685 S *	5/2013	Higashikawa	.....	D15/15
D693,852 S *	11/2013	Brazier et al.	.....	D15/17

\* cited by examiner

*Primary Examiner* — Mark Goodwin

(74) *Attorney, Agent, or Firm* — Nelson Mullins Riley & Scarborough LLP

(57) **CLAIM**

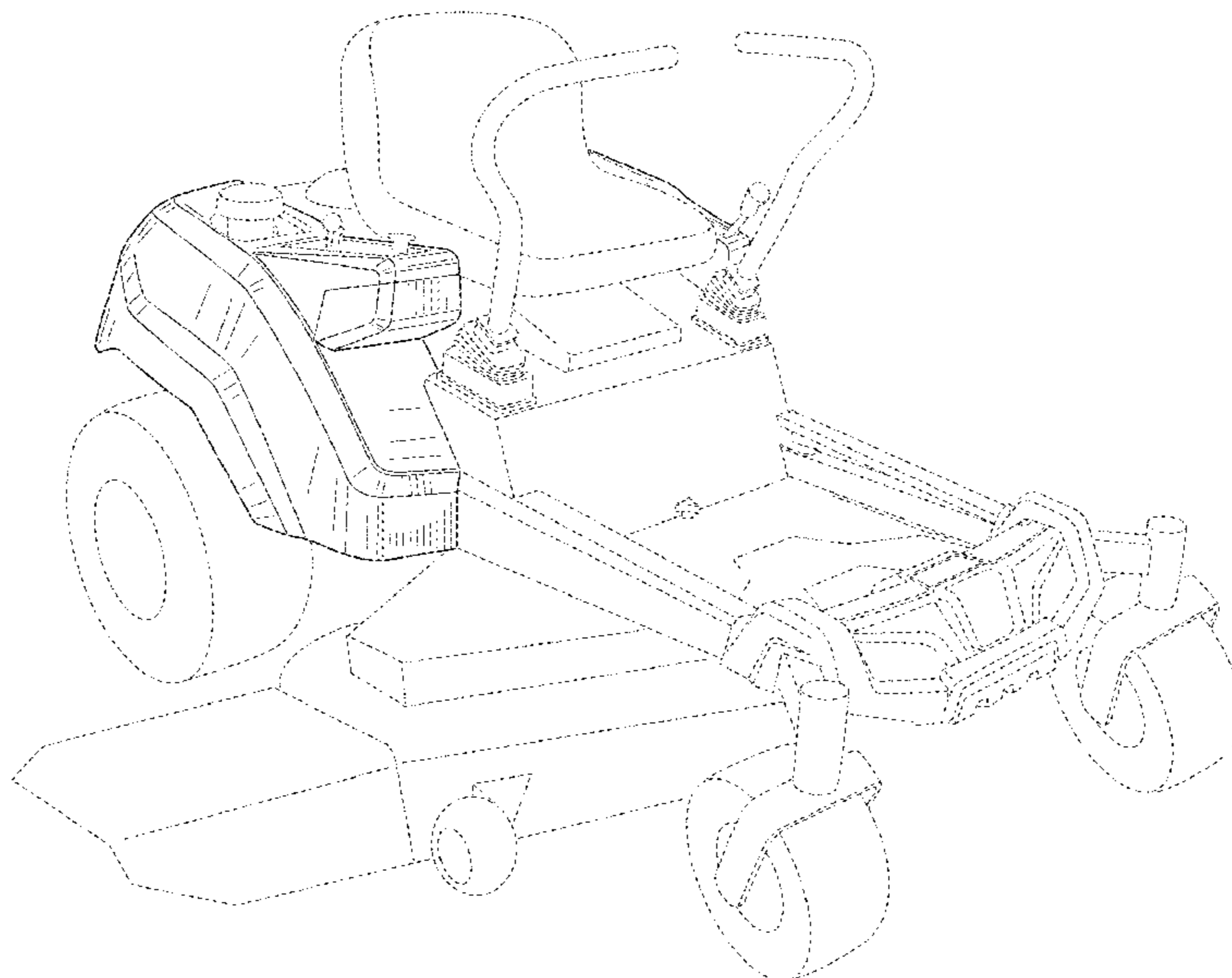
The ornamental design for a side console, as shown and described.

**DESCRIPTION**

FIG. 1 is a perspective view of a side console showing our new design in use condition attached to a lawn mower;  
FIG. 2 is a right side view thereof;  
FIG. 3 is a left side view thereof;  
FIG. 4 is a front view thereof;  
FIG. 5 is a rear view thereof; and,  
FIG. 6 is a top view thereof.

The broken lines of FIGS. 1-6 are illustrative of the visible environmental structure of the side console and form no part of the claimed design.

**1 Claim, 6 Drawing Sheets**



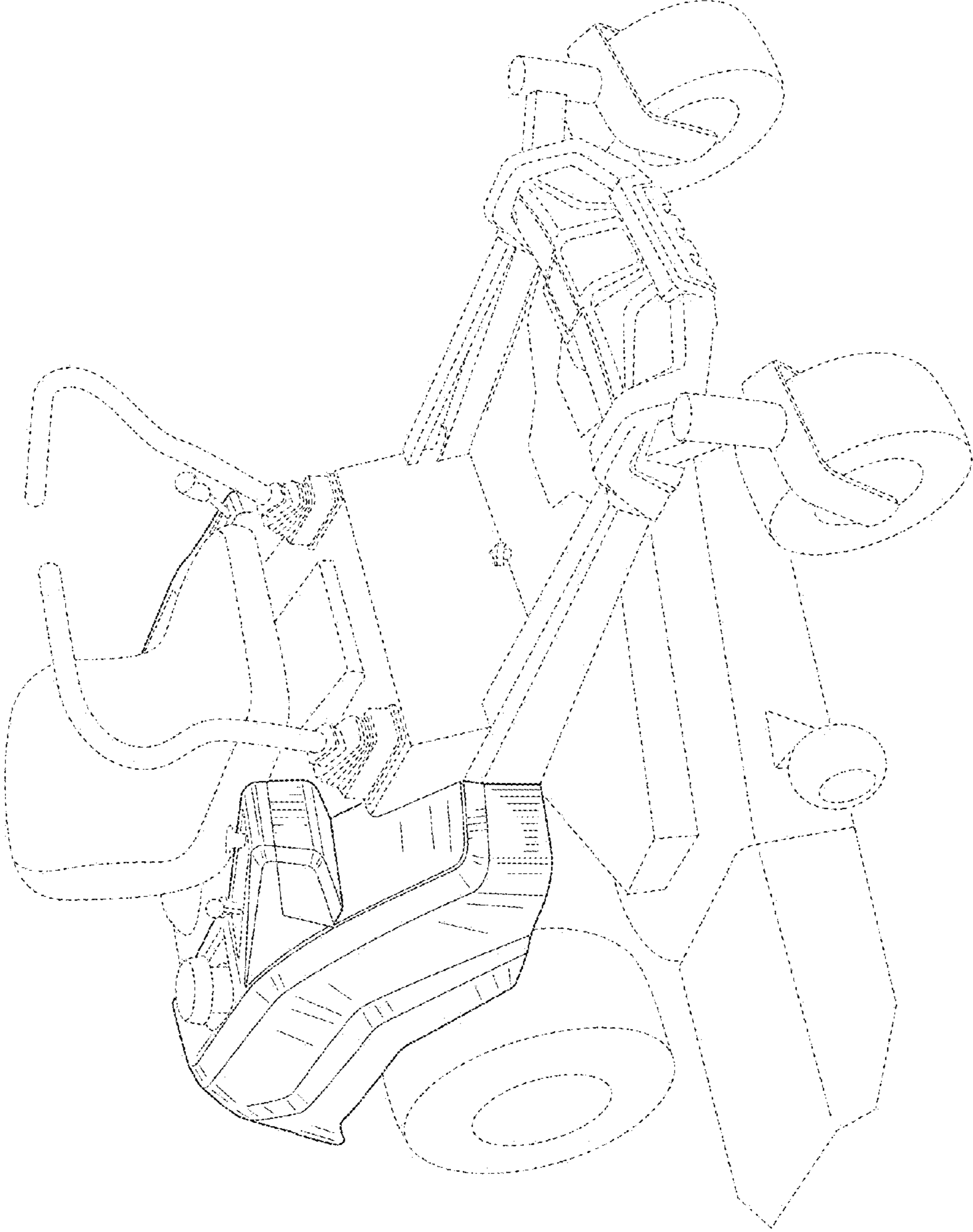


FIG. 1

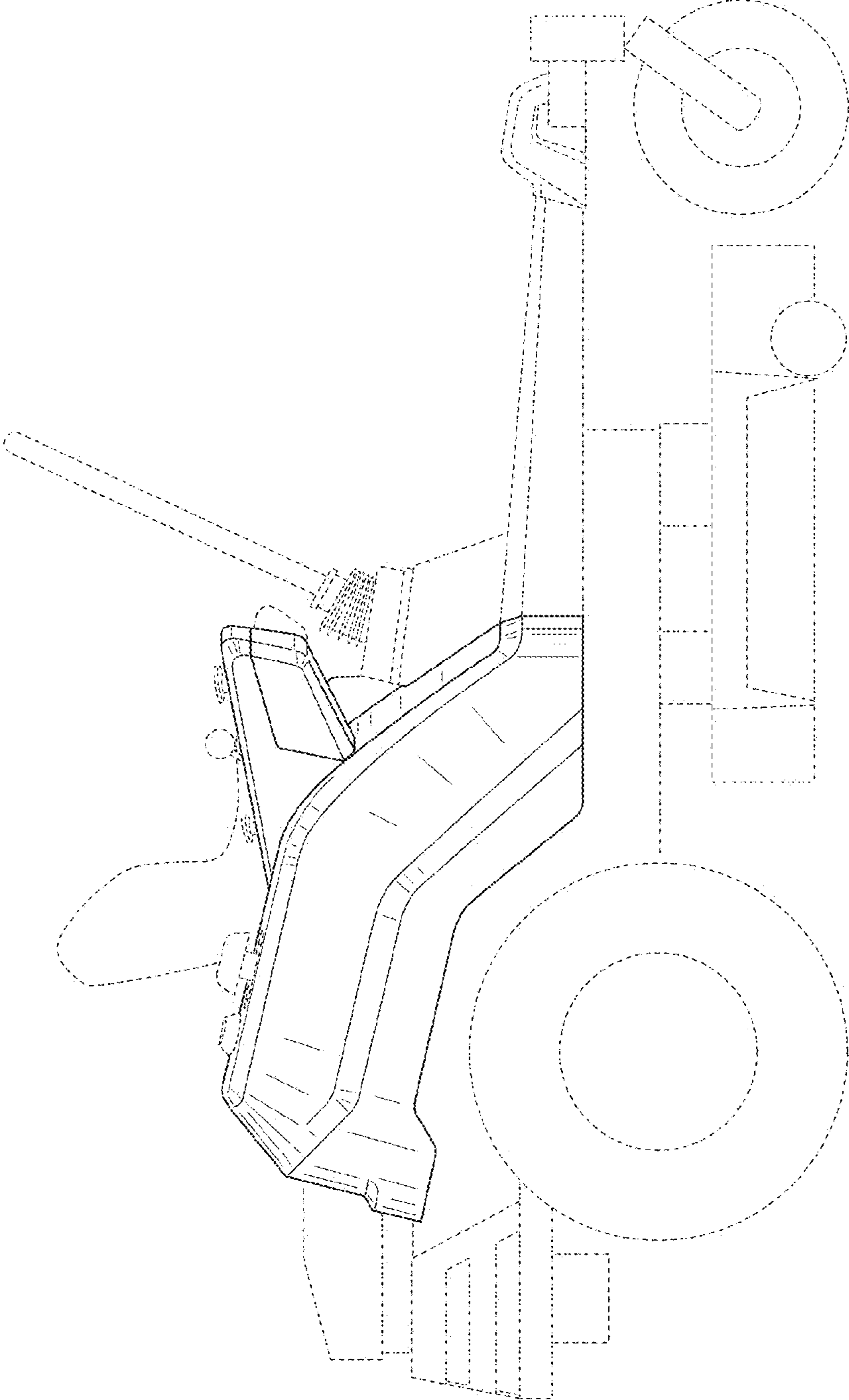


FIG. 2

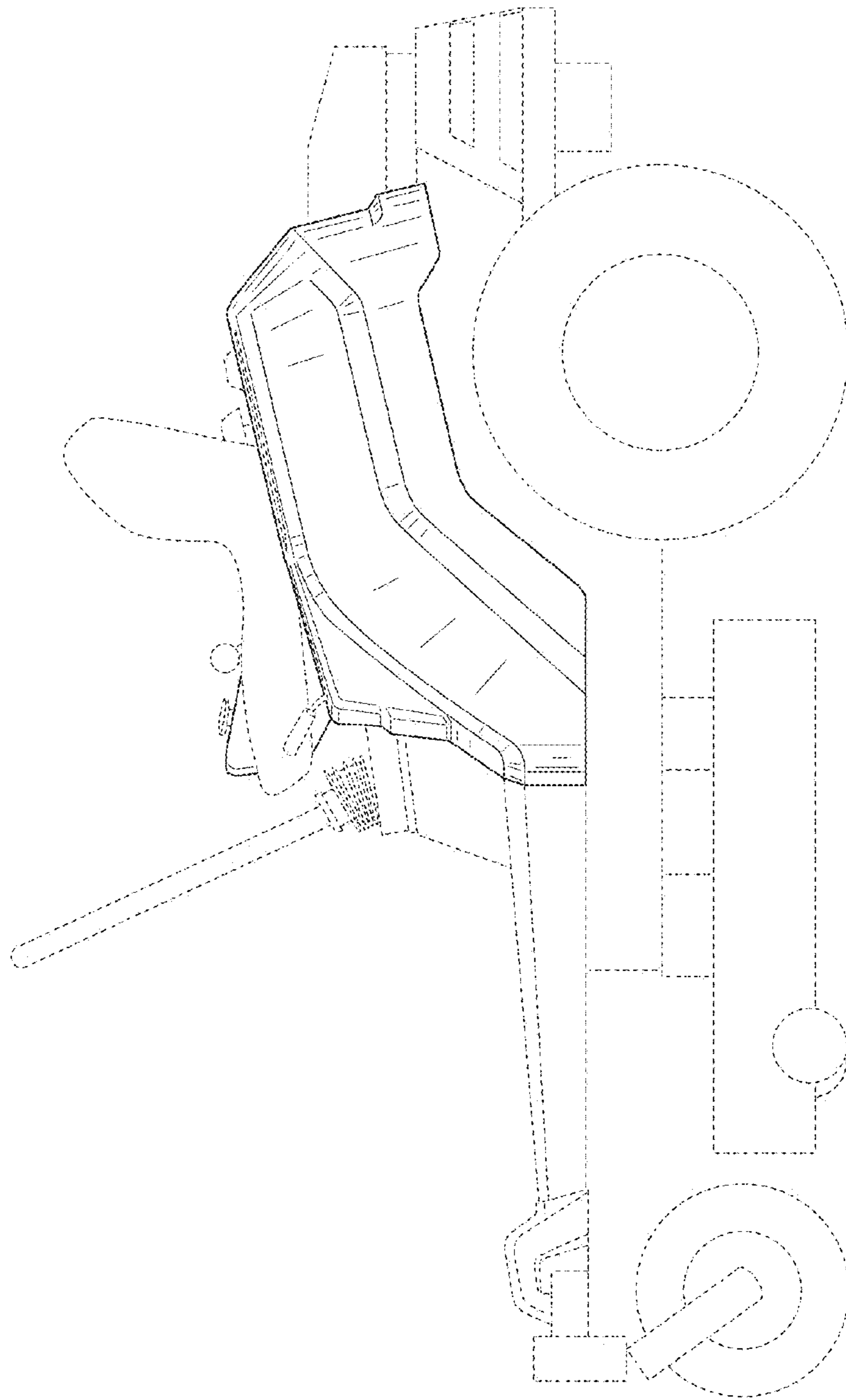


FIG. 3

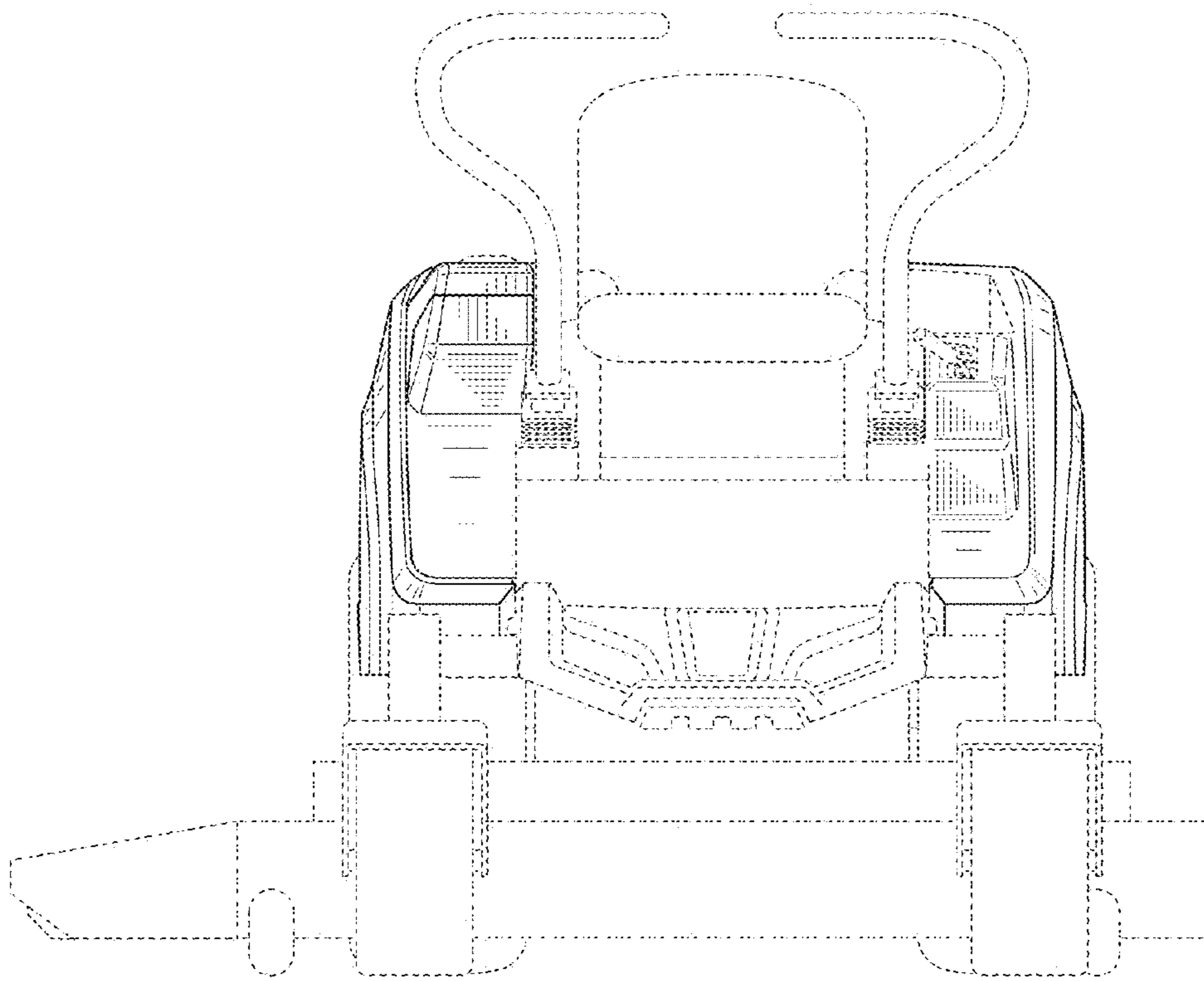


FIG. 4

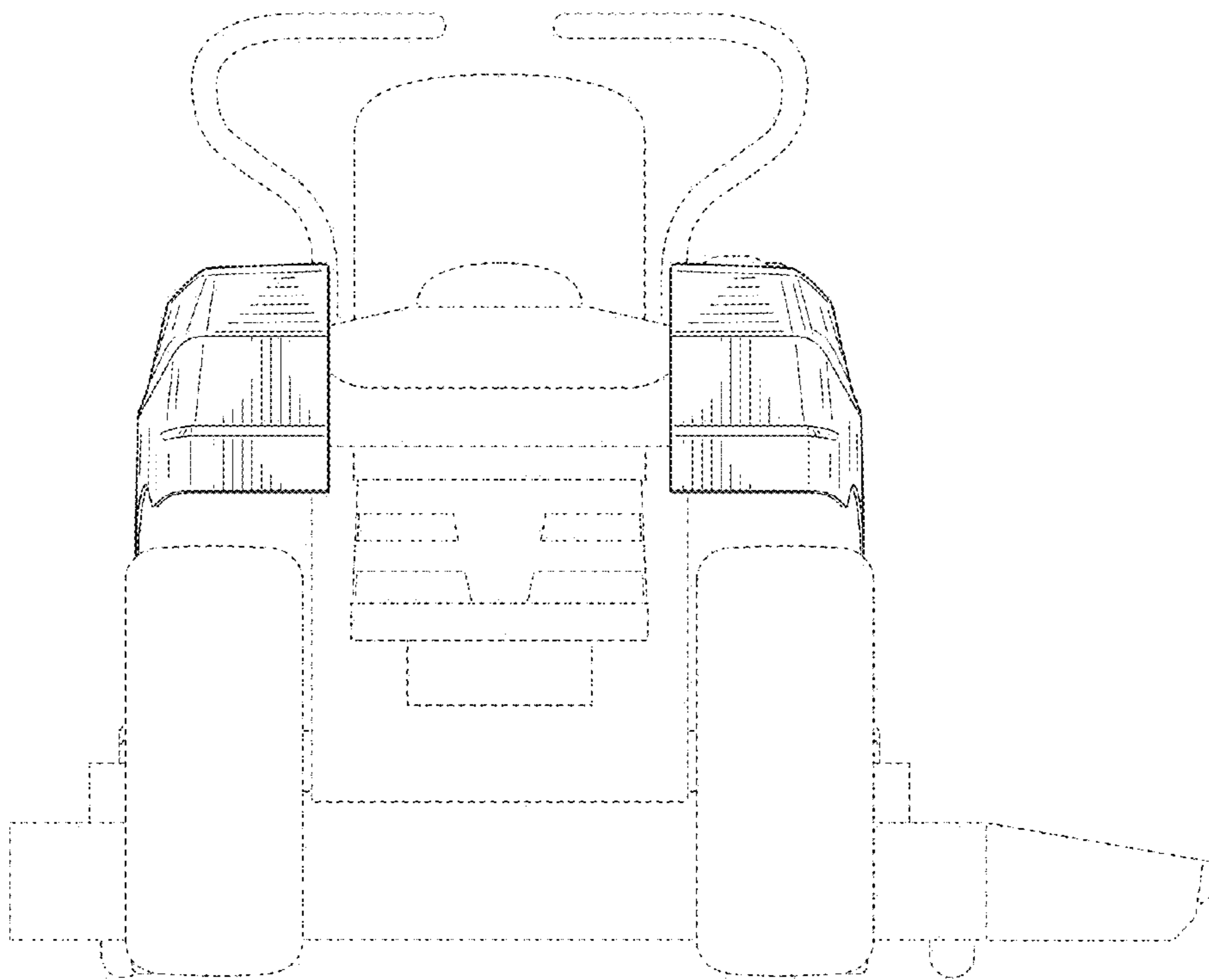


FIG. 5

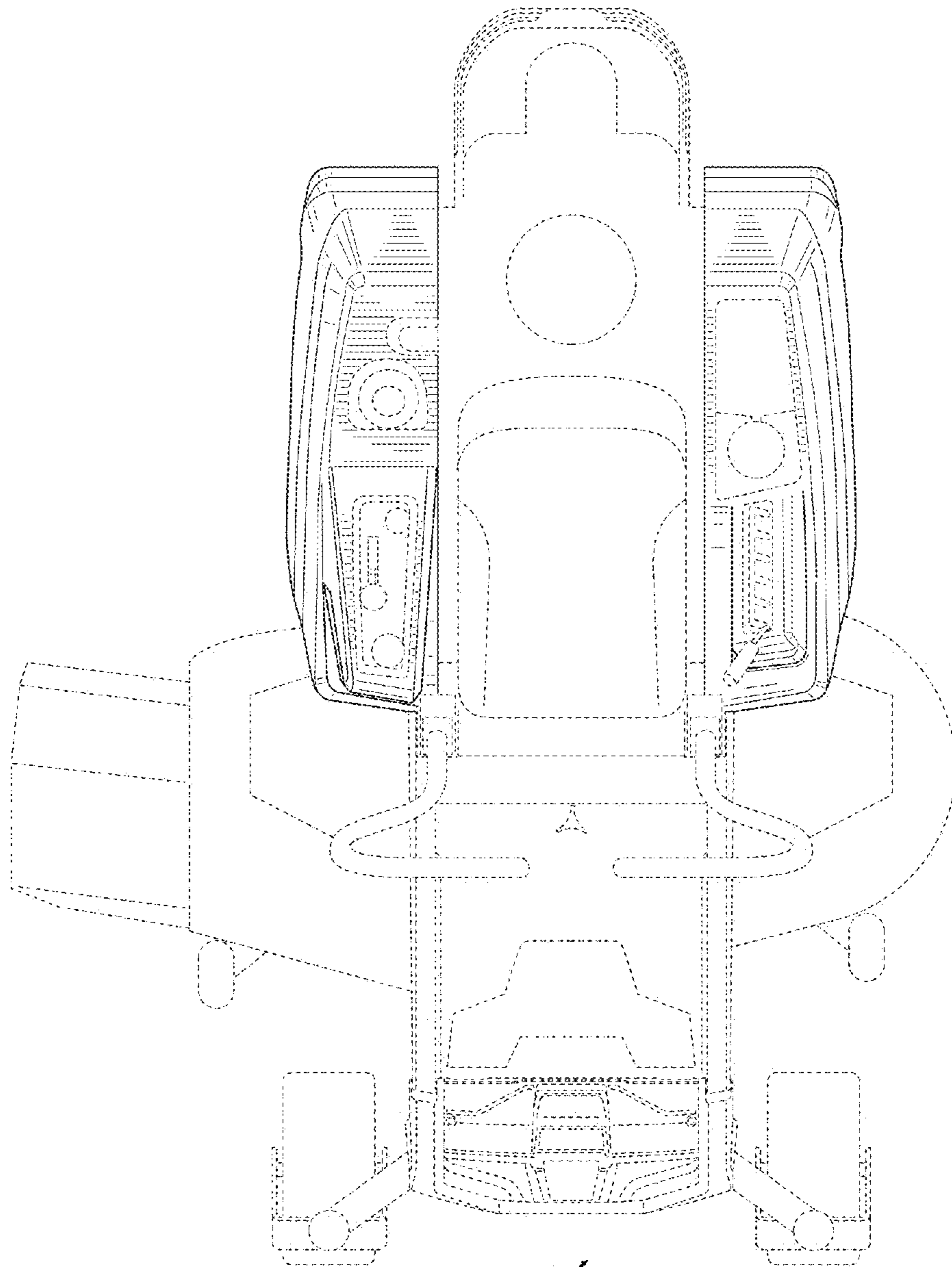


FIG. 6