

US00D722619S

(12) **United States Design Patent**
Phillips et al.

(10) **Patent No.:** **US D722,619 S**

(45) **Date of Patent:** **** Feb. 17, 2015**

- (54) **LAWN MOWER FRONT PANEL**
- (71) Applicant: **Husqvarna AB**, Huskvarna (SE)
- (72) Inventors: **Tiawaun Phillips**, Clover, SC (US);
Jeremy Hansen, Charlotte, NC (US);
Eric Tse, Charlotte, NC (US); **Jerry Sandy**, Fort Mill, SC (US); **Sean Dwyer**, Gastonia, NC (US)
- (73) Assignee: **Husqvarna AB**, Huskvarna (SE)
- (**) Term: **14 Years**
- (21) Appl. No.: **29/492,451**
- (22) Filed: **May 30, 2014**
- (51) **LOC (10) Cl.** **15-03**
- (52) **U.S. Cl.**
USPC **D15/17; D15/31**
- (58) **Field of Classification Search**
USPC D15/14, 15, 17, 21-26, 28, 31, 33;
180/89.1, 89.12, 900; 56/15.8, 255,
56/294, 295, 13.3, 13.4, 16.6, 16.7, 17.1,
56/202, 320.1, 320.2
See application file for complete search history.

- D450,330 S * 11/2001 Katoh et al. D15/15
- D455,156 S * 4/2002 Rittfeldt D15/10
- D495,718 S * 9/2004 Higashikawa D15/15
- D512,444 S * 12/2005 Ayers et al. D15/15
- D560,690 S * 1/2008 Higashikawa D15/10
- D626,572 S * 11/2010 Moriguchi et al. D15/15
- D636,001 S * 4/2011 Martin et al. D15/33
- D656,965 S * 4/2012 Ortlund et al. D15/17
- D681,685 S * 5/2013 Higashikawa D15/15
- D693,852 S * 11/2013 Brazier et al. D15/17

* cited by examiner

Primary Examiner — Mark Goodwin

(74) *Attorney, Agent, or Firm* — Nelson Mullins Riley & Scarborough LLP

(57) **CLAIM**

The ornamental design for a lawn mower front panel, as shown and described.

DESCRIPTION

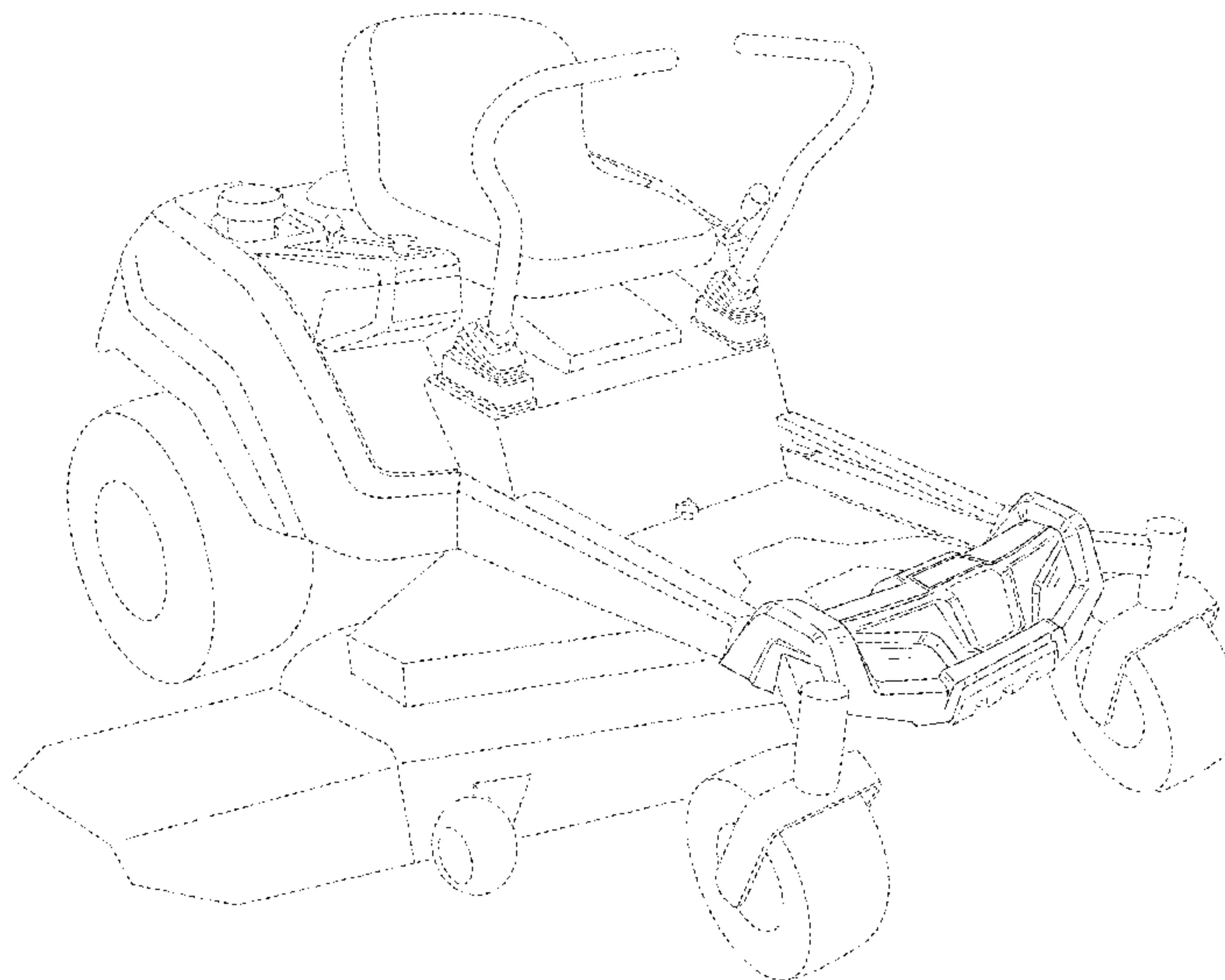
FIG. 1 is a perspective view of a lawn mower front panel showing our new design;
 FIG. 2 is a right side view thereof;
 FIG. 3 is a left side view thereof;
 FIG. 4 is a front view thereof;
 FIG. 5 is a rear view thereof;
 FIG. 6 is a top view thereof; and,
 FIG. 7 is an enlarged perspective view of a second embodiment for a lawn mower front panel of FIG. 1 showing our new design with optional texture applied to a portion of the front panel shown in broken line and forming no part of the claimed design.
 The broken lines of FIGS. 1-7 are illustrative of the visible environmental structure of the lawn mower and front panel and form no part of the claimed design.

1 Claim, 7 Drawing Sheets

(56) **References Cited**

U.S. PATENT DOCUMENTS

- D344,960 S * 3/1994 Patterson et al. D15/17
- D362,447 S * 9/1995 Lamb D15/15
- D392,981 S * 3/1998 Smith D15/15
- D392,982 S * 3/1998 Smith D15/17
- D397,121 S * 8/1998 Smith D15/15
- D398,311 S * 9/1998 Smith D15/15
- D440,233 S * 4/2001 Smith D15/17
- D447,491 S * 9/2001 Goebert et al. D15/17
- D448,036 S * 9/2001 Goebert et al. D15/17



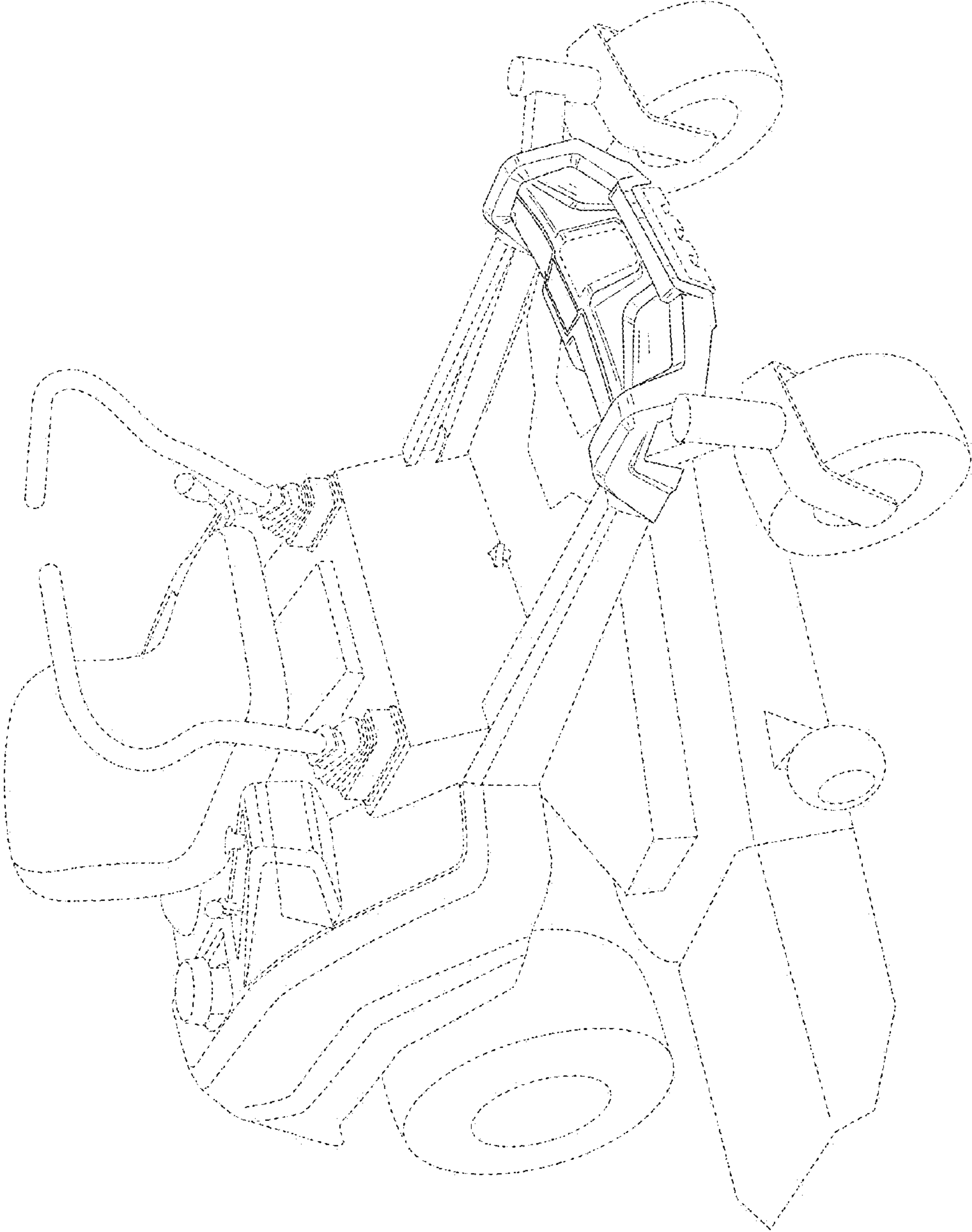


FIG. 1

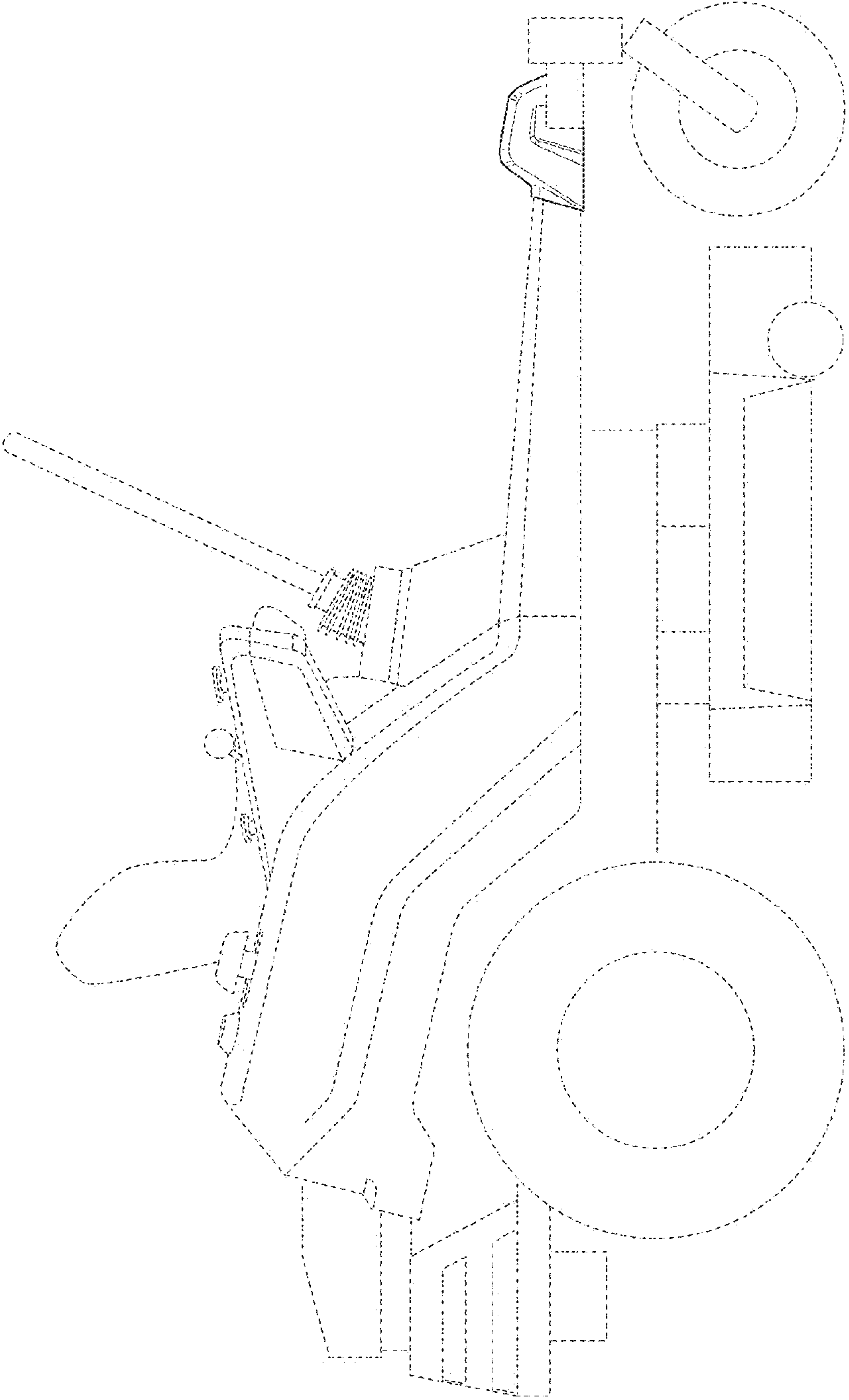


FIG. 2

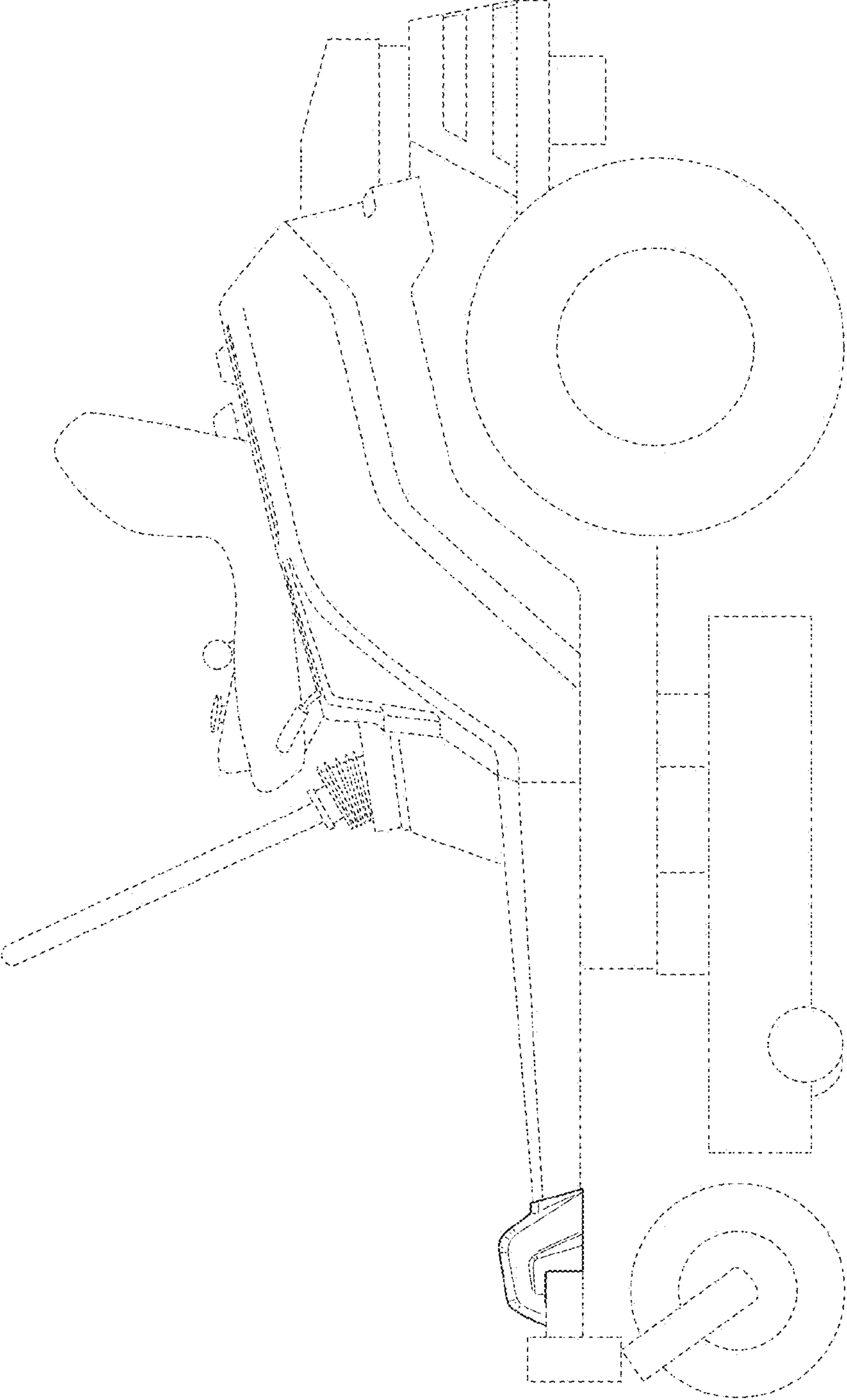


FIG. 3

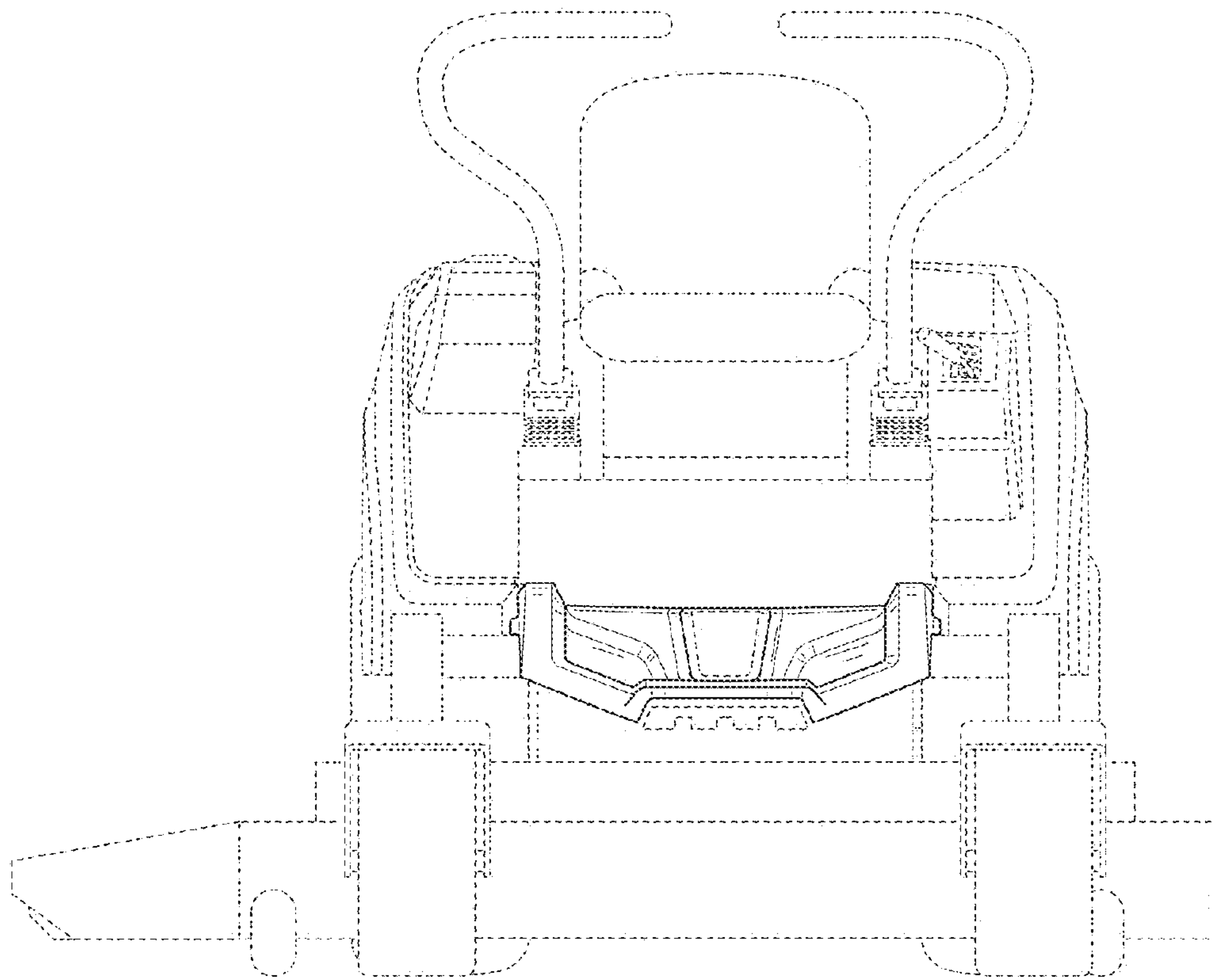


FIG. 4

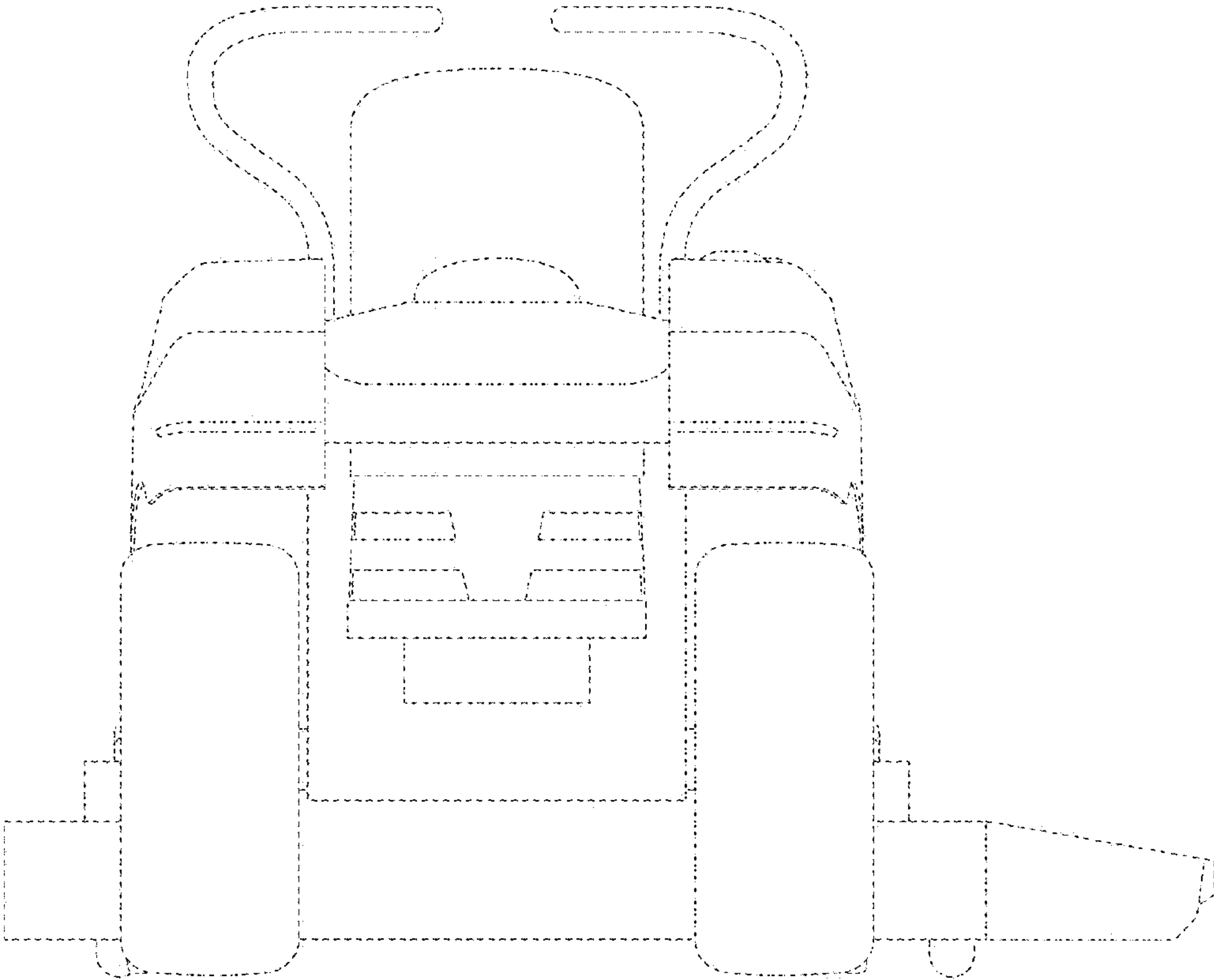


FIG. 5

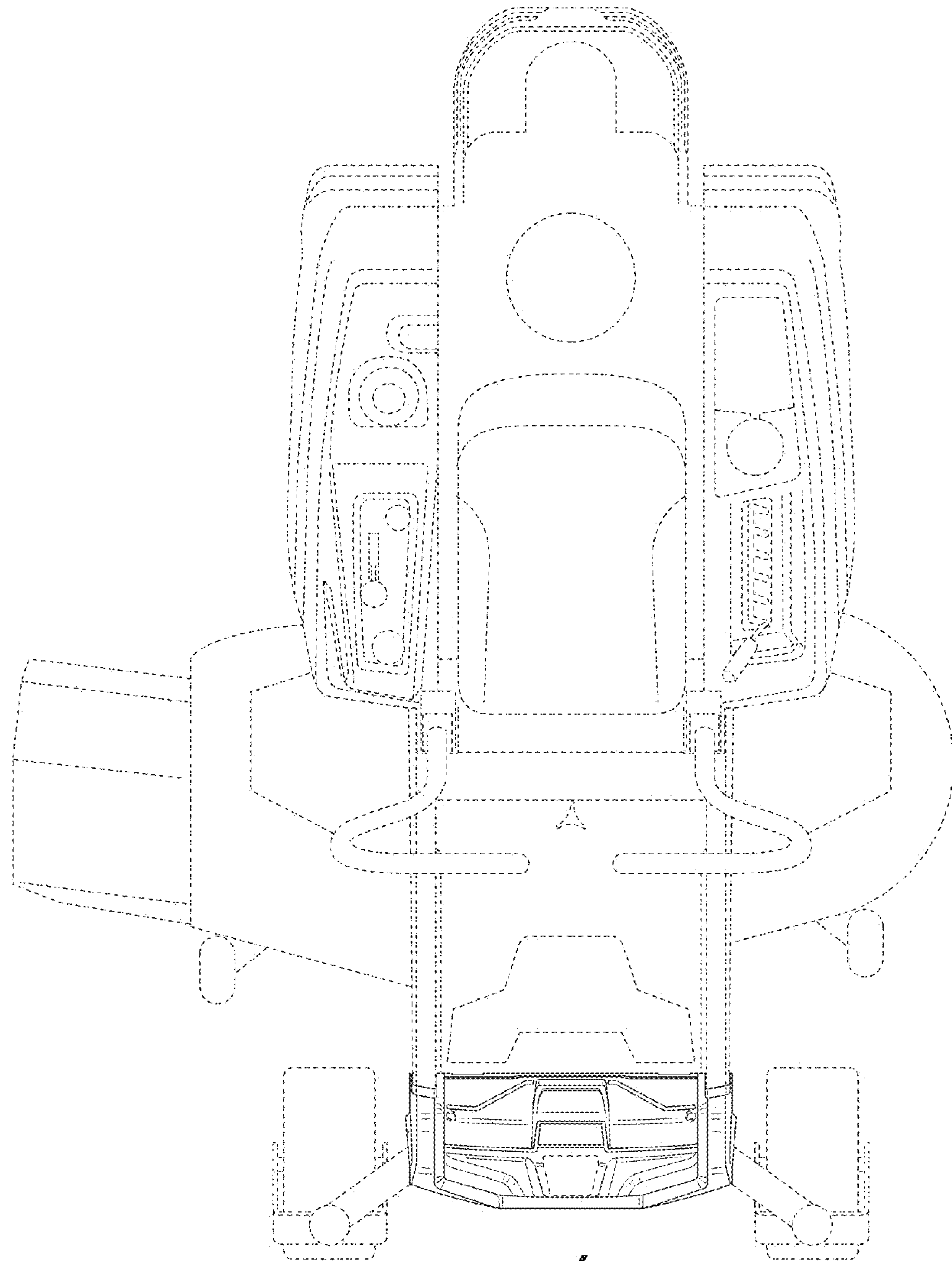


FIG. 6

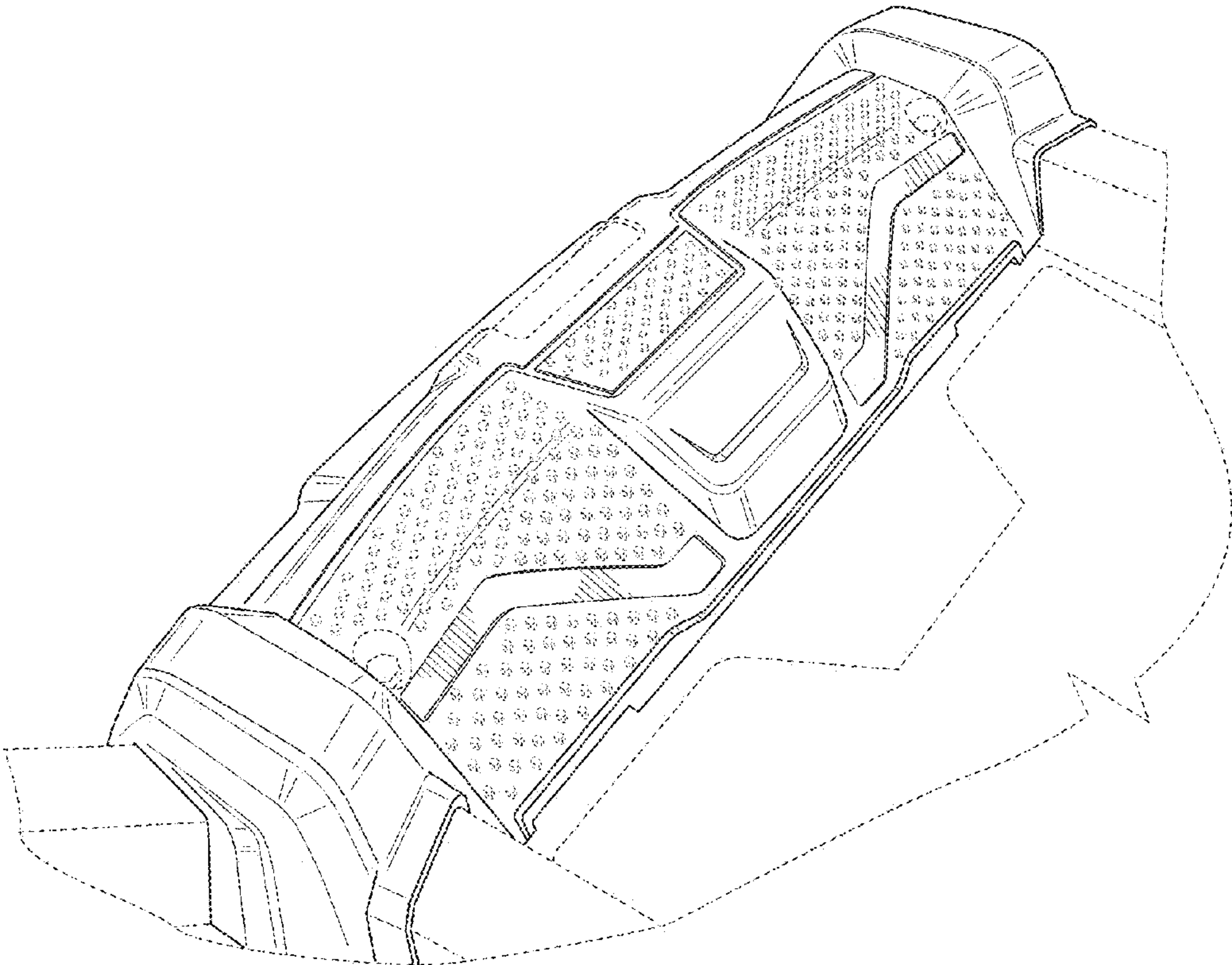


FIG. 7