



US00D722618S

(12) **United States Design Patent**
Wong

(10) **Patent No.:** **US D722,618 S**
(45) **Date of Patent:** **** Feb. 17, 2015**

(54) **AIR COMPRESSOR**

(71) Applicant: **Wai Kan Wong**, Kwai Chung (HK)

(72) Inventor: **Wai Kan Wong**, Kwai Chung (HK)

(**) Term: **14 Years**

(21) Appl. No.: **29/496,082**

(22) Filed: **Jul. 9, 2014**

(30) **Foreign Application Priority Data**

Jan. 10, 2014 (CN) 2014 3 0007528

(51) **LOC (10) Cl.** **15-02**

(52) **U.S. Cl.**
USPC **D15/9**

(58) **Field of Classification Search**
CPC F02M 37/04; F02M 37/14
USPC D15/7-9; D23/231, 232, 225; 417/60,
417/235, 265, 321, 355, 358, 363, 359,
417/410.1, 415-416, 405, 900; 60/408,
60/412; 184/26-37; 415/140-147;
123/495, 509; 137/565.34
See application file for complete search history.

(56) **References Cited**

U.S. PATENT DOCUMENTS

D498,243 S * 11/2004 Chou D15/7
D498,767 S * 11/2004 Chou D15/7
D498,769 S * 11/2004 Chou D15/9
D499,426 S * 12/2004 Chou D15/7

D582,945 S * 12/2008 Chou D15/9
D626,571 S * 11/2010 Eckhardt D15/9
D627,795 S * 11/2010 Eckhardt D15/9
D627,796 S * 11/2010 Eckhardt D15/9
D629,424 S * 12/2010 Eckhardt D15/9
D644,252 S * 8/2011 Kojima D15/9
D657,801 S * 4/2012 Eckhardt D15/9
D665,427 S * 8/2012 Inskeep D15/9
D670,313 S * 11/2012 Ohm et al. D15/7
D672,368 S * 12/2012 Wong D15/9
D678,351 S * 3/2013 Wong D15/9
D679,291 S * 4/2013 Ohm et al. D15/7
D695,319 S * 12/2013 Ohm et al. D15/9
D703,241 S * 4/2014 Eckhardt et al. D15/9

* cited by examiner

Primary Examiner — Ralf Seifert

(74) *Attorney, Agent, or Firm* — Brown & Michaels, PC

(57) **CLAIM**

The ornamental design for an air compressor, as shown and described.

DESCRIPTION

FIG. 1 is a perspective view of the air compressor of the present invention.

FIG. 2 is a second perspective view of the air compressor.

FIG. 3 is a right side view of the air compressor.

FIG. 4 is a left side view of the air compressor.

FIG. 5 is a top view of the air compressor.

FIG. 6 is a bottom view of the air compressor.

FIG. 7 is a front view of the air compressor; and,

FIG. 8 is a back view of the air compressor.

1 Claim, 3 Drawing Sheets

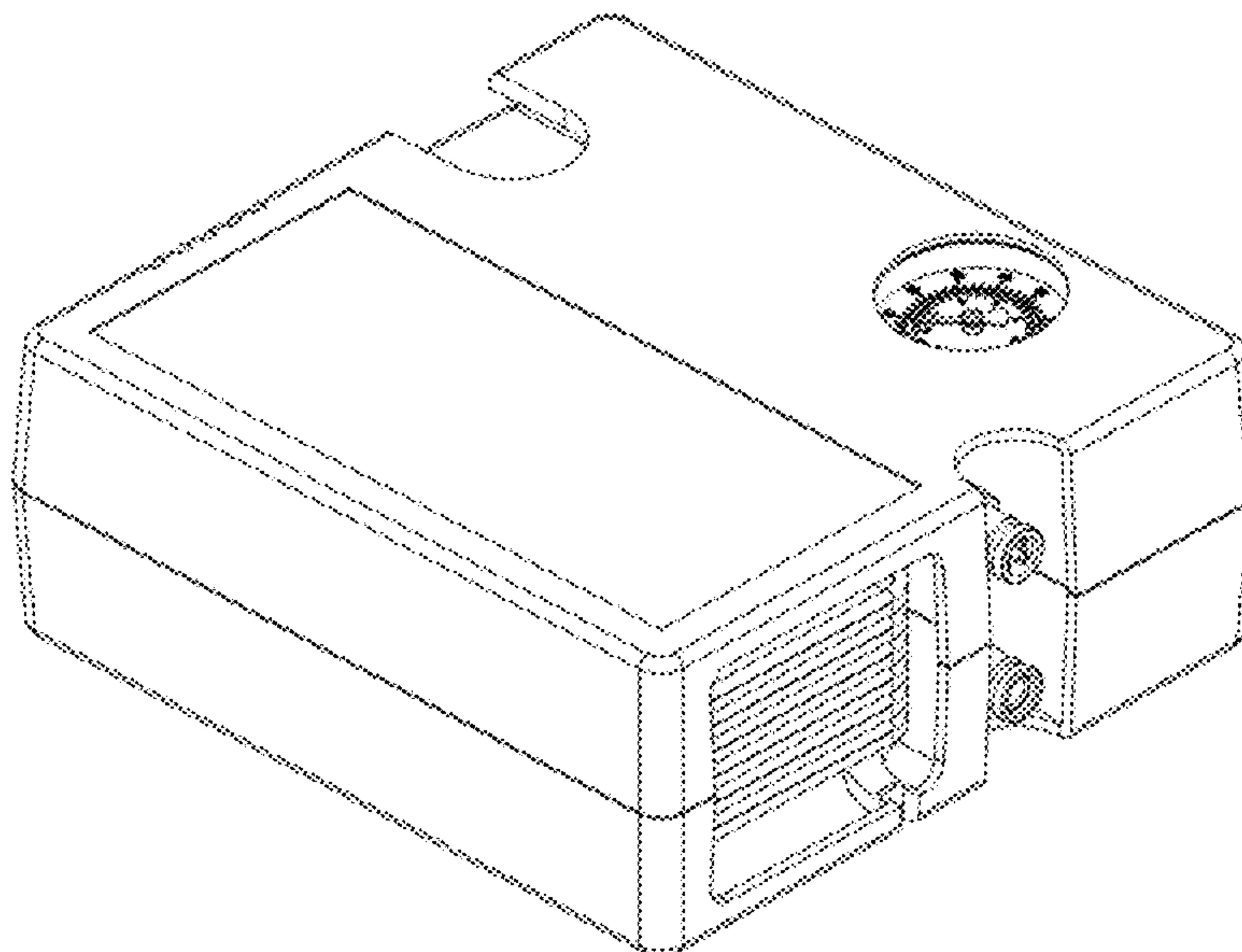


Fig. 1

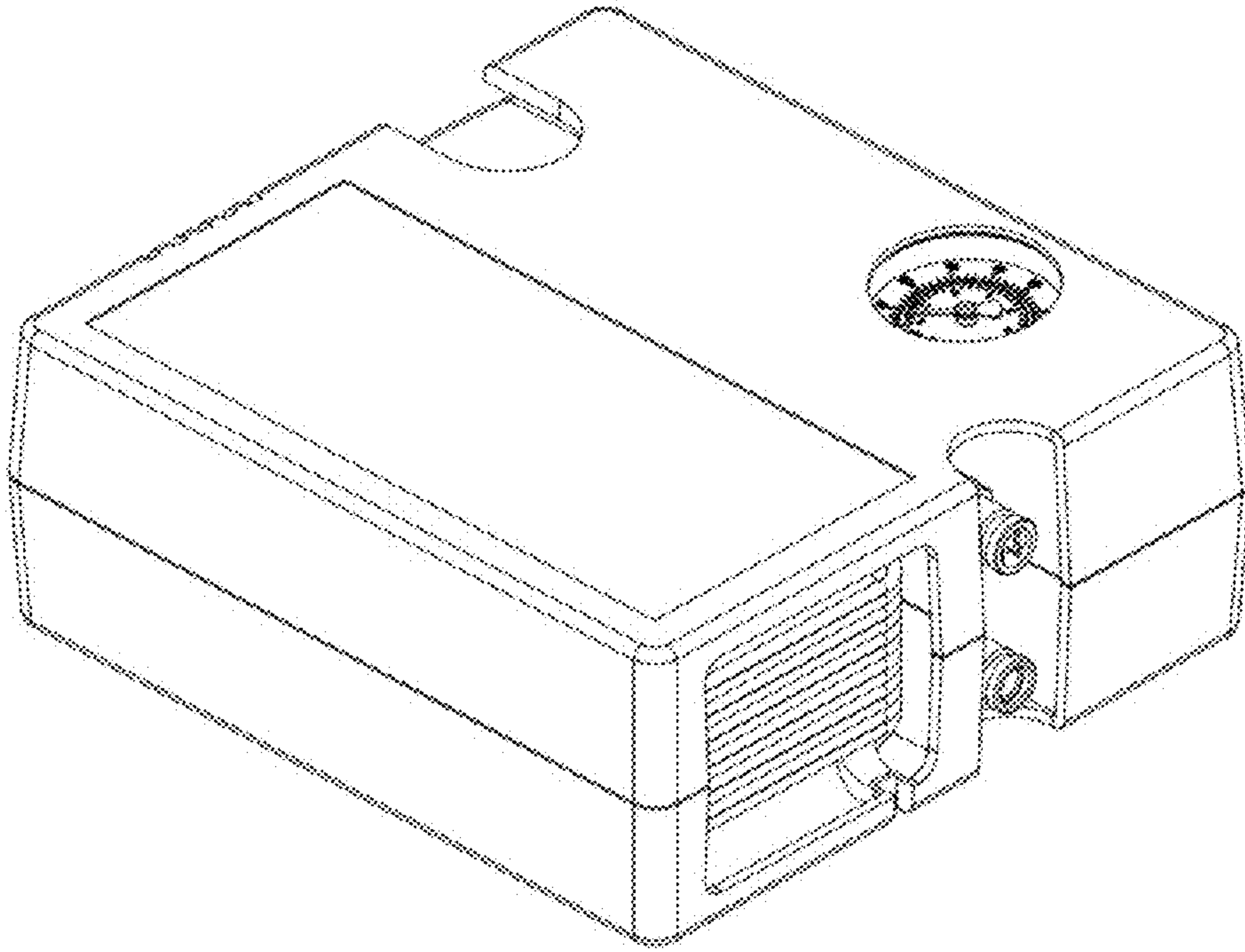


Fig. 2

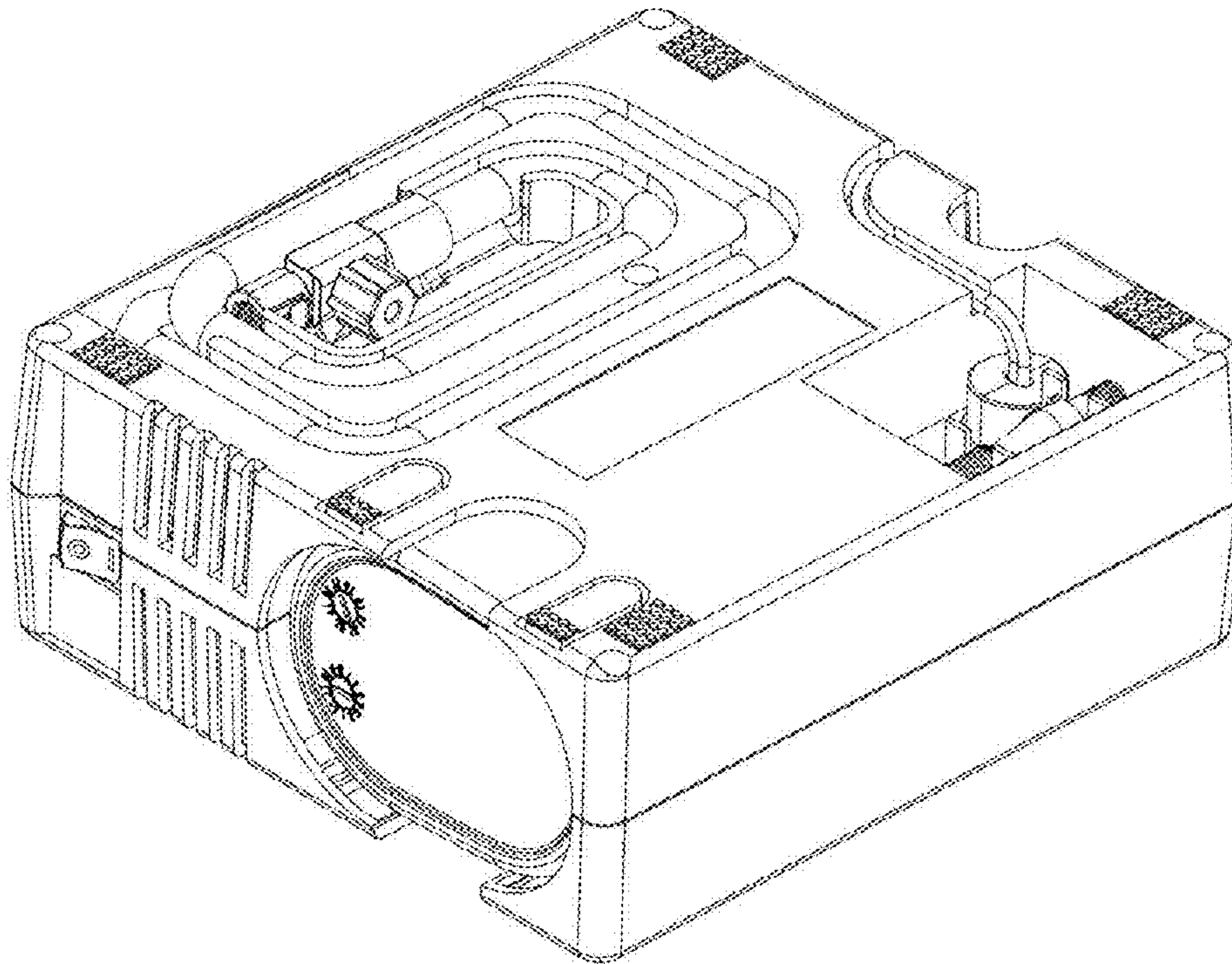


Fig.3

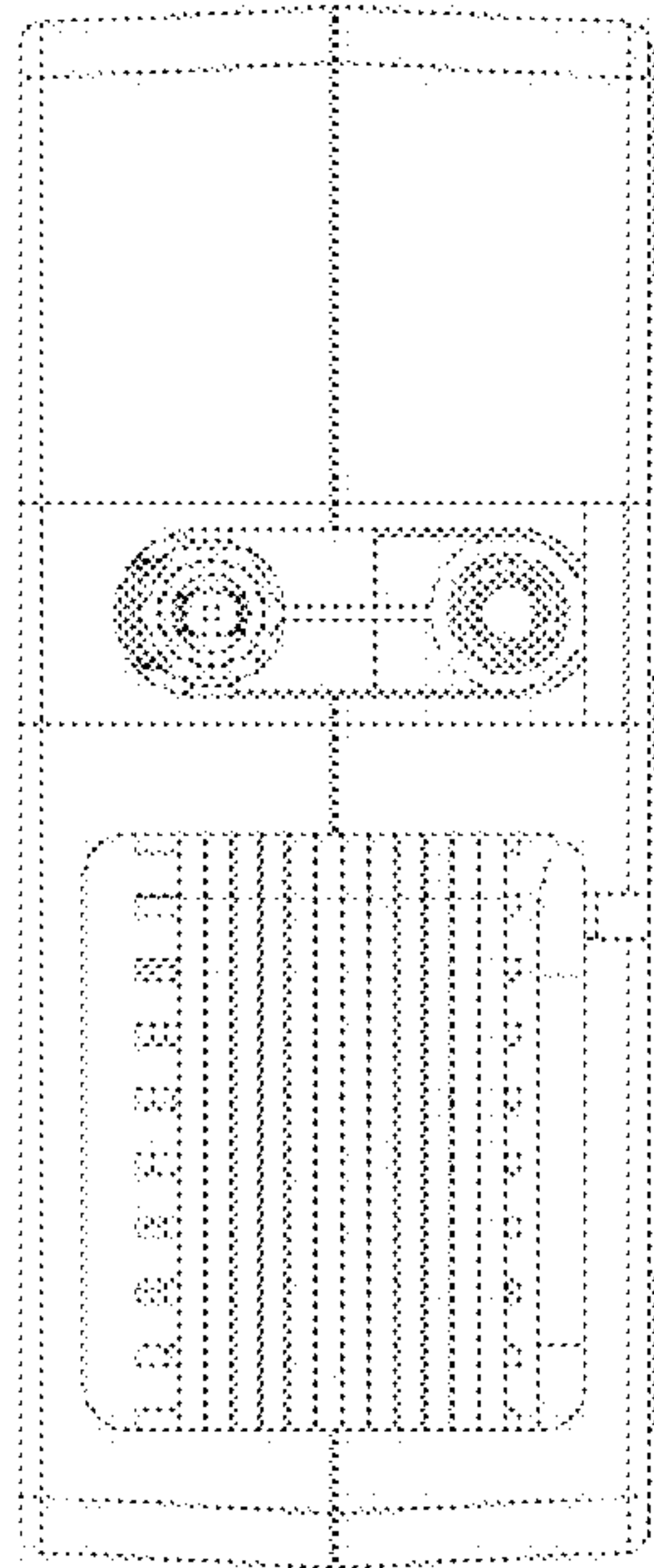


Fig. 4

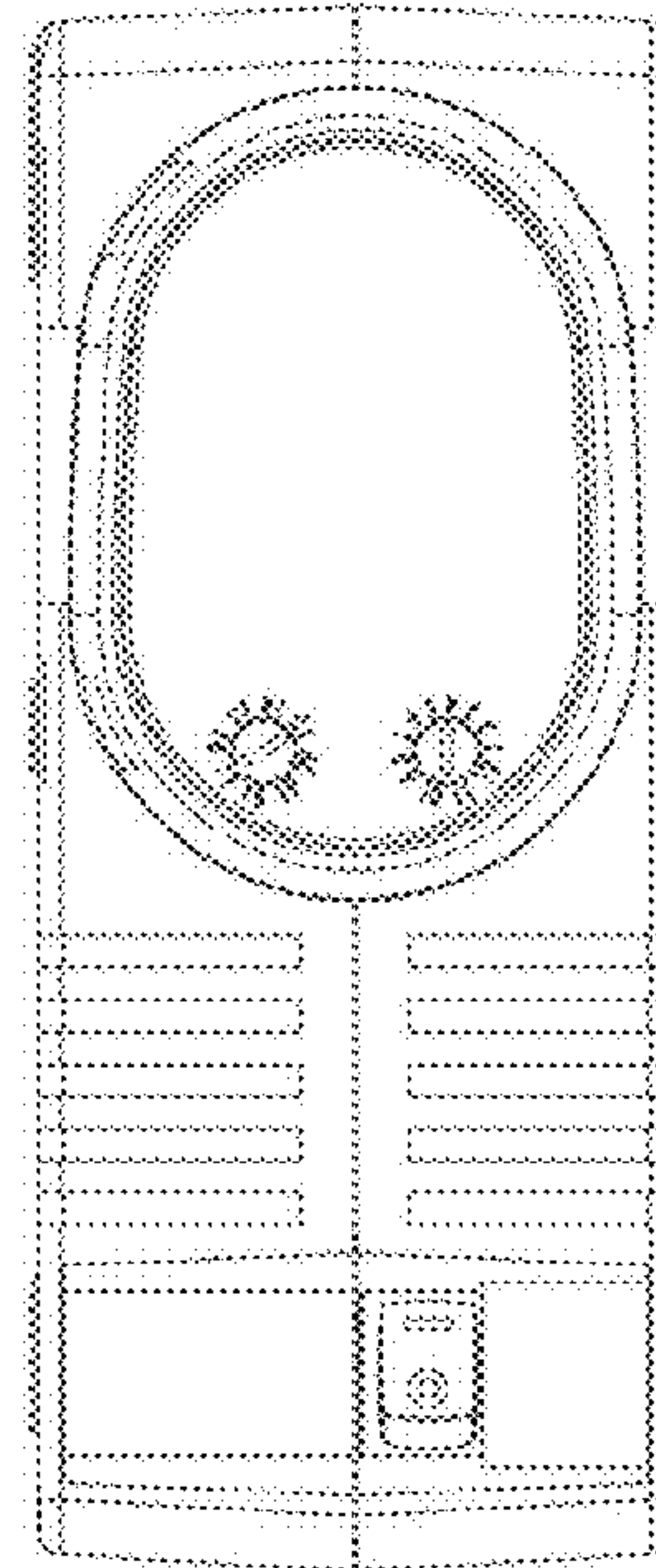


Fig. 5

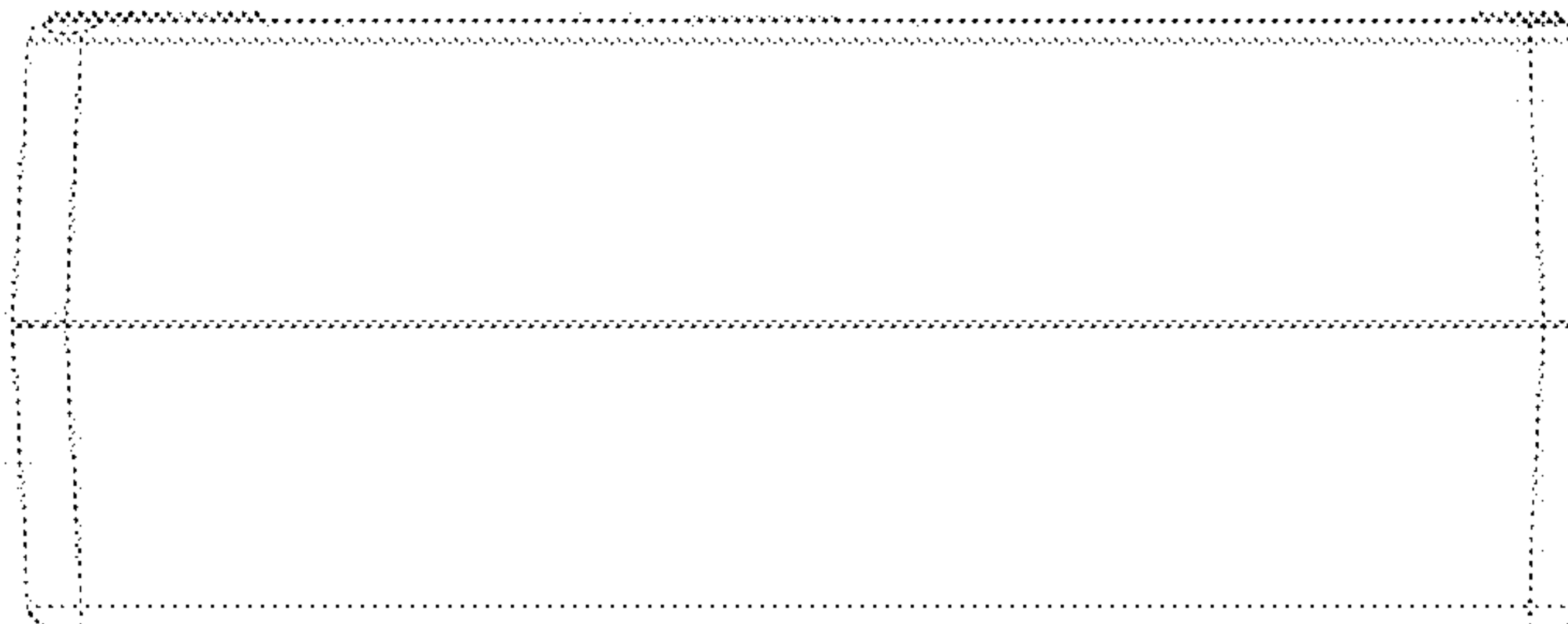


Fig. 6

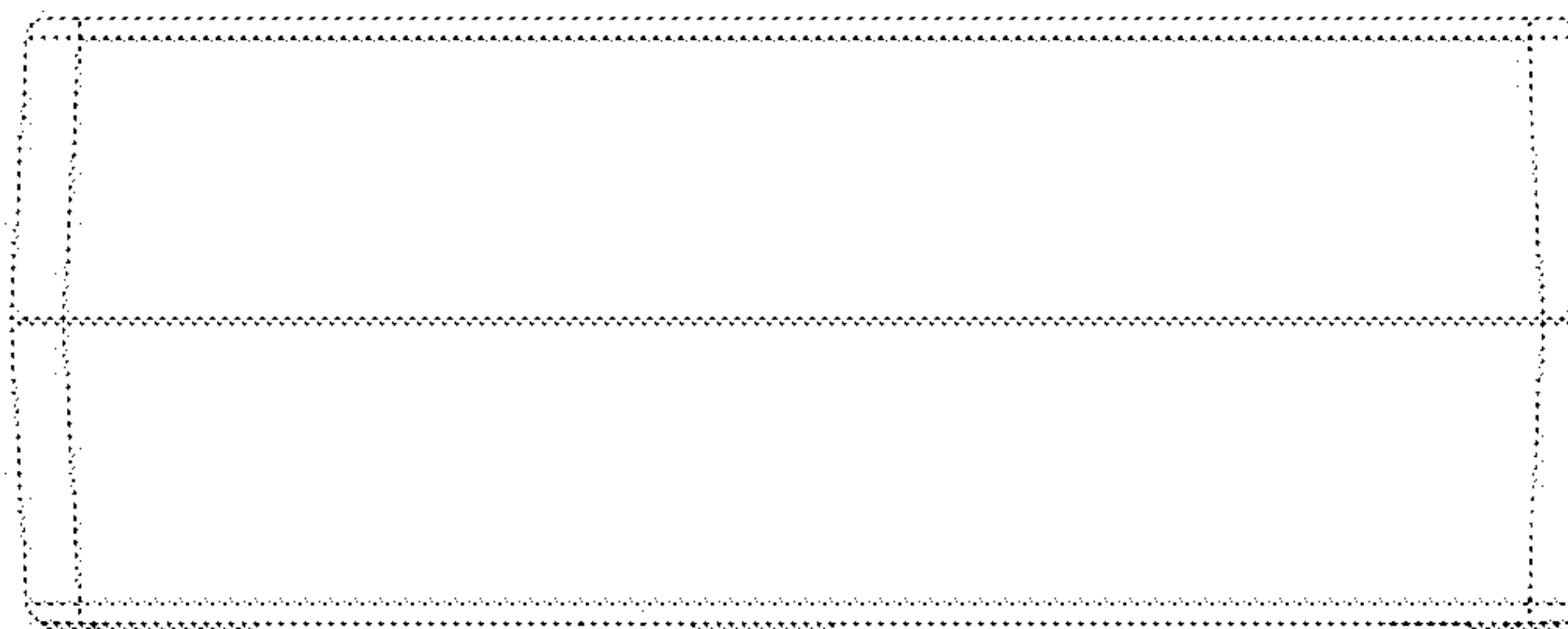


Fig. 7

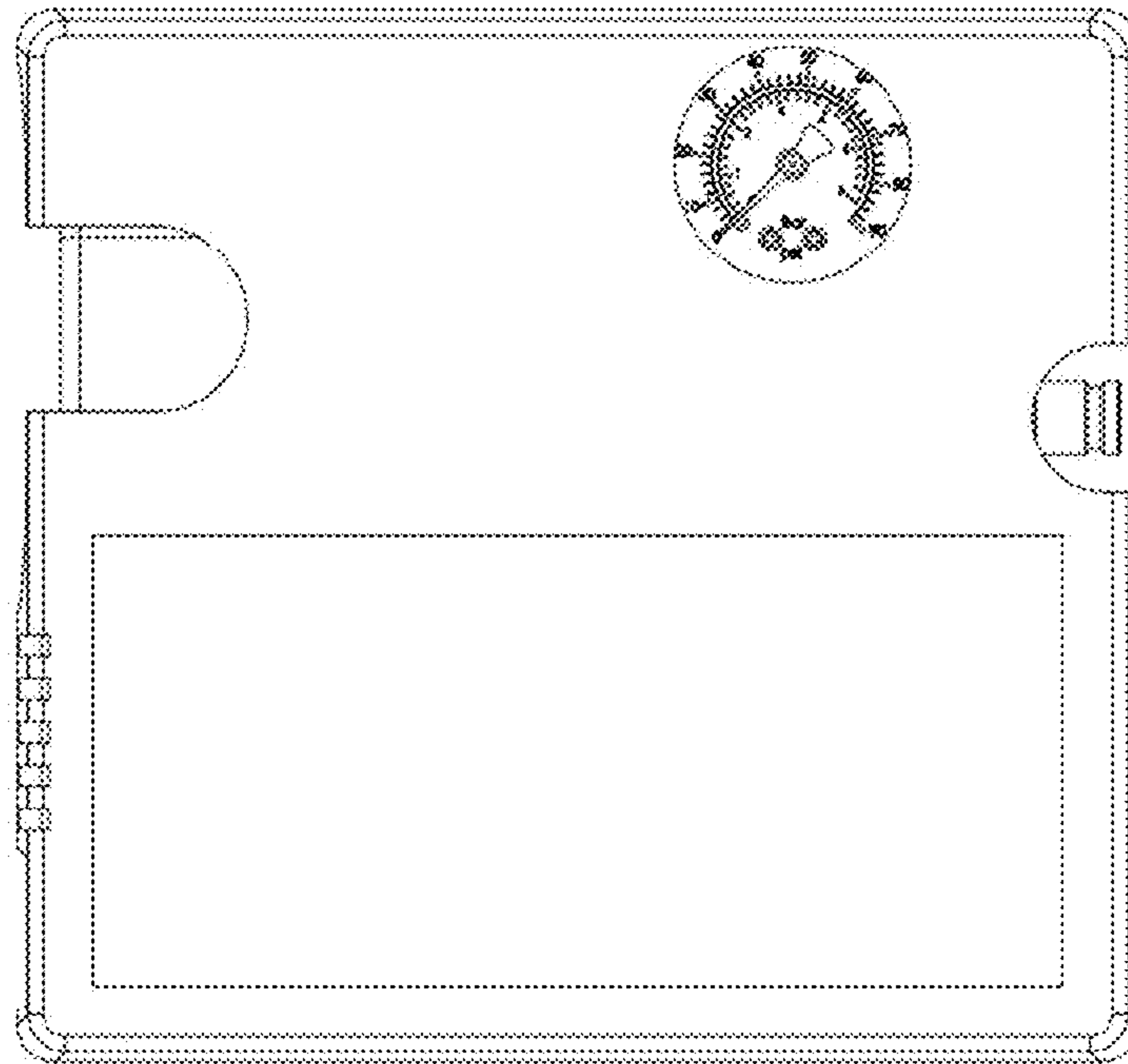


Fig. 8

