



US00D722614S

(12) **United States Design Patent**  
**Williams et al.**

(10) **Patent No.:** **US D722,614 S**  
(45) **Date of Patent:** **\*\* Feb. 17, 2015**

- (54) **DISPLAY SCREEN PORTION WITH GRAPHICAL USER INTERFACE**
- (75) Inventors: **Matthew T. Williams**, Seattle, WA (US);  
**Iain A. Kennedy**, Seattle, WA (US);  
**James Joel Massey**, Issaquah, WA (US);  
**Isaac W. Oates**, Brooklyn, NY (US)
- (73) Assignee: **Amazon Technologies, Inc.**, Seattle, WA (US)
- (\*\*) Term: **14 Years**
- (21) Appl. No.: **29/418,621**
- (22) Filed: **Apr. 18, 2012**
- (51) **LOC (10) Cl.** ..... **14-04**
- (52) **U.S. Cl.**  
USPC ..... **D14/487**
- (58) **Field of Classification Search**  
USPC ..... D14/485–495; 715/700–867  
See application file for complete search history.

(56) **References Cited**

U.S. PATENT DOCUMENTS

D392,267 S	3/1998	Mason et al.
D392,268 S	3/1998	Mason et al.

(Continued)

*Primary Examiner* — Deanna L Pratt

(74) *Attorney, Agent, or Firm* — Thomas I Horstemeyer, LLP

(57) **CLAIM**

The ornamental design for a display screen portion with graphical user interface, as shown and described.

**DESCRIPTION**

A portion of the disclosure of this patent document contains material to which a claim for copyright is made. The copyright owner has no objection to the facsimile reproduction by anyone of the patent document or the patent disclosure, as it appears in the Patent and Trademark Office patent file or records, but reserves all other copyright rights whatsoever.

FIG. 1 is a front view of a first embodiment of a display screen portion with graphical user interface showing our new design.

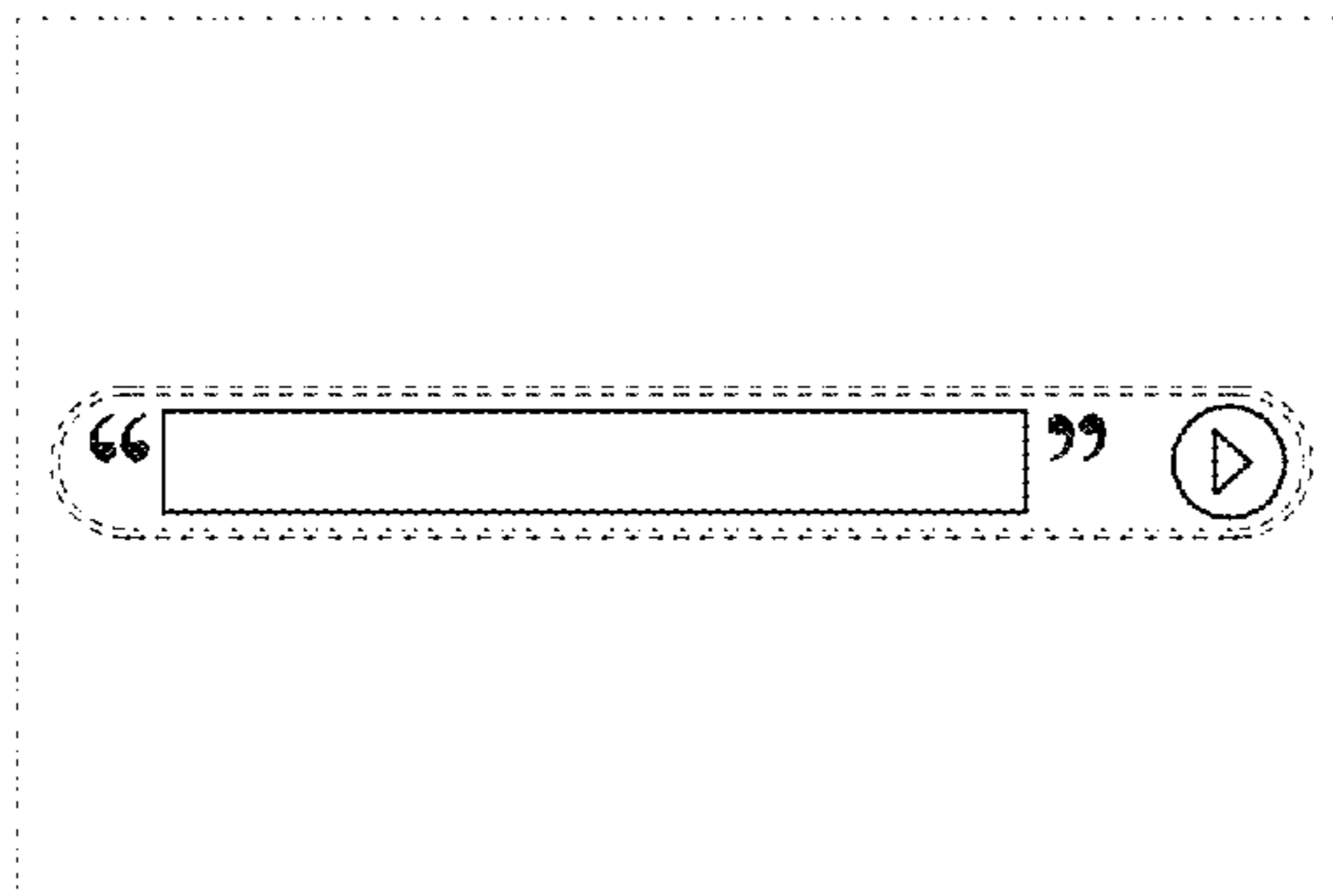


FIG. 2 is a front view of a second embodiment of a display screen portion with graphical user interface showing our new design.

FIG. 3 is a front view of a third embodiment of a display screen portion with graphical user interface showing our new design.

FIG. 4 is a front view of a fourth embodiment of a display screen portion with graphical user interface showing our new design.

FIG. 5 is a front view of a fifth embodiment of a display screen portion with graphical user interface showing our new design.

FIG. 6 is a front view of a sixth embodiment of a display screen portion with graphical user interface showing our new design.

FIG. 7 is a front view of a seventh embodiment of a display screen portion with graphical user interface showing our new design.

FIG. 8 is a front view of an eighth embodiment of a display screen portion with graphical user interface showing our new design.

FIG. 9 is a front view of a ninth embodiment of a display screen portion with graphical user interface showing our new design.

FIG. 10 is a front view of a tenth embodiment of a display screen portion with graphical user interface showing our new design.

FIG. 11 is a front view of an eleventh embodiment of a display screen portion with graphical user interface showing our new design.

FIG. 12 is a front view of a twelfth embodiment of a display screen portion with graphical user interface showing our new design.

FIG. 13 is a front view of a thirteenth embodiment of a display screen portion with graphical user interface showing our new design.

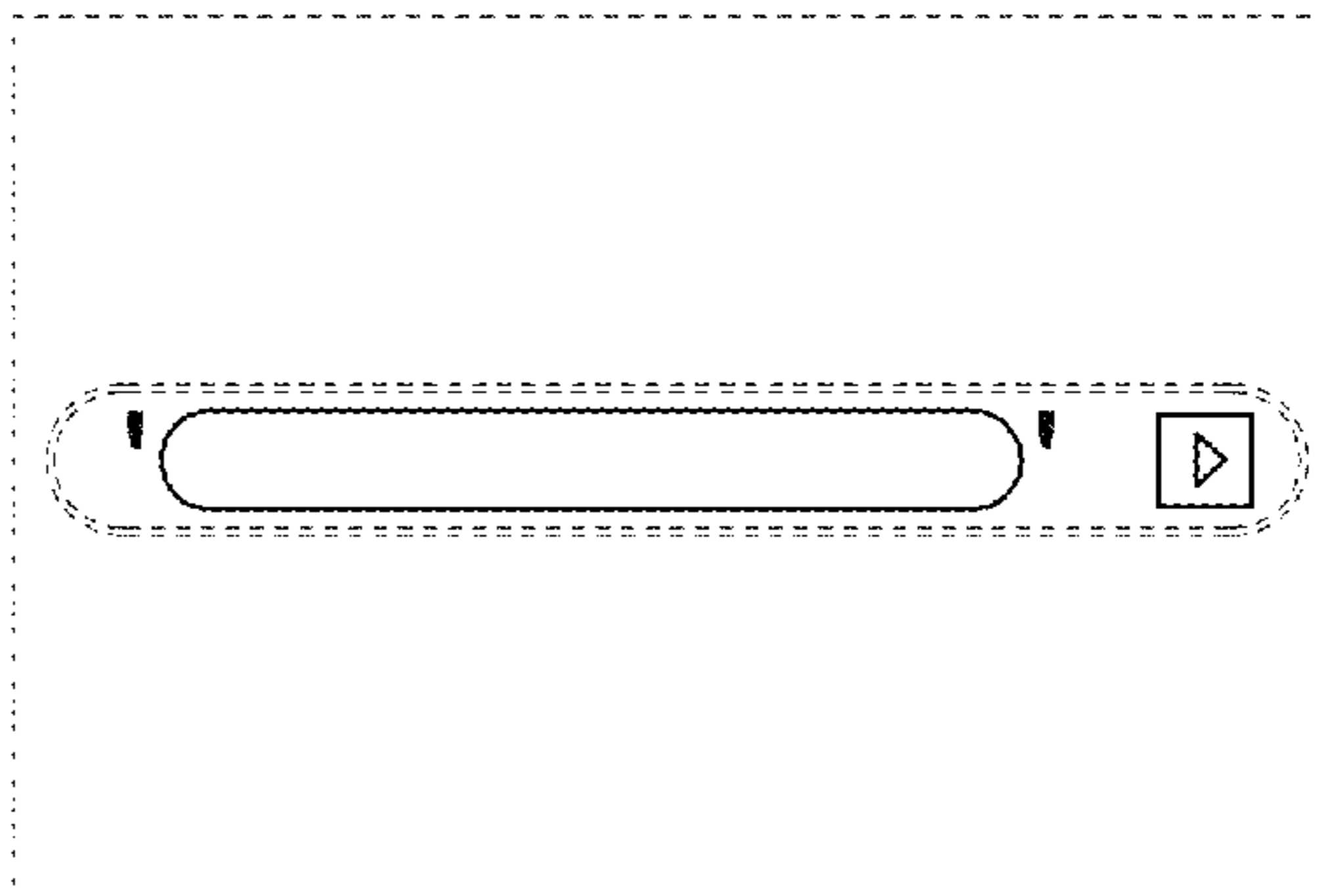
FIG. 14 is a front view of a fourteenth embodiment of a display screen portion with graphical user interface showing our new design.

FIG. 15 is a front view of a fifteenth embodiment of a display screen portion with graphical user interface showing our new design; and,

FIG. 16 is a front view of a sixteenth embodiment of a display screen portion with graphical user interface showing our new design.

The broken lines in the drawings illustrate the display screen and portions of the graphical user interface which form no part of the claimed design.

**1 Claim, 4 Drawing Sheets**



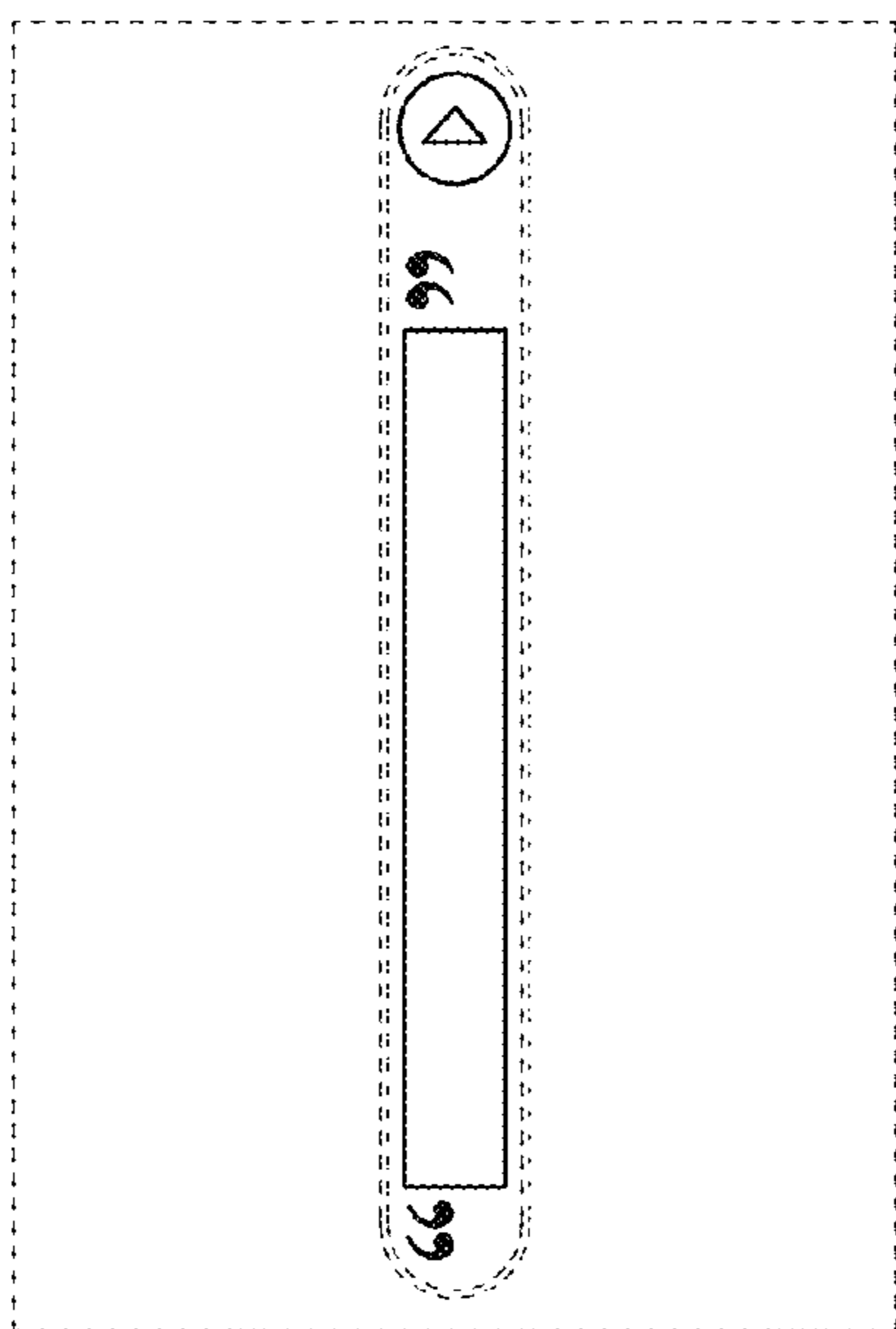
(56)

References Cited

U.S. PATENT DOCUMENTS

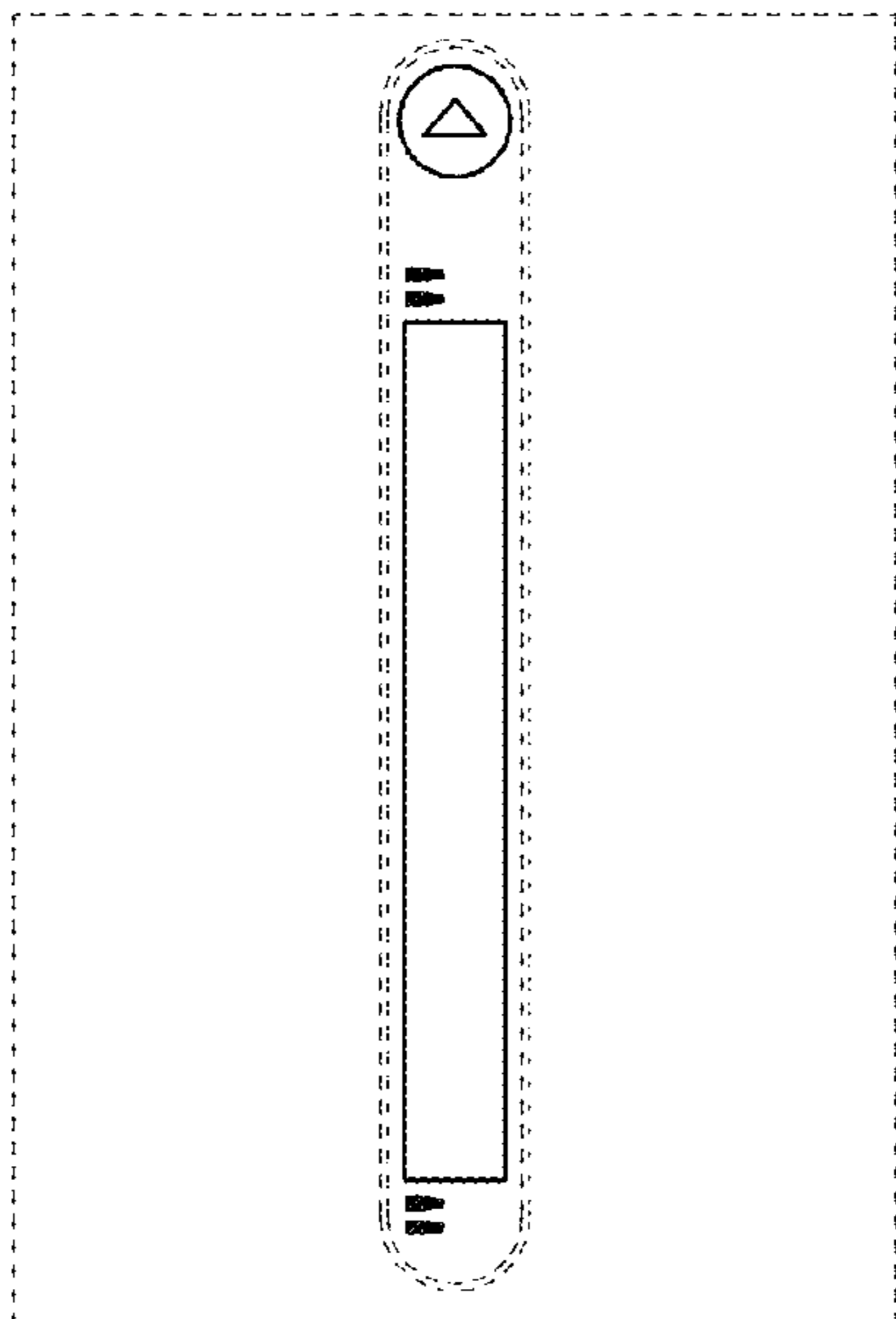
D392,269 S	3/1998	Mason et al.	7,546,543 B2	6/2009	Louch et al.	
D424,036 S	5/2000	Arora et al.	7,571,014 B1	8/2009	Lambourne et al.	
D425,497 S	5/2000	Eisenberg et al.	D599,373 S	9/2009	Kobayashi et al.	
D435,561 S	12/2000	Pettigrew et al.	D604,740 S	11/2009	Matheny et al.	
D438,873 S	3/2001	Wang et al.	D605,657 S	12/2009	Danton	
D439,584 S	3/2001	Wang et al.	D611,949 S	3/2010	Fletcher et al.	
D446,790 S	8/2001	Wang et al.	D612,392 S	3/2010	Bouchard et al.	
D459,361 S	6/2002	Inagaki	D614,197 S	4/2010	Casagrande	
6,538,665 B2	3/2003	Crow et al.	D614,637 S	4/2010	Mizulo	
D491,956 S	6/2004	Ombao et al.	7,747,968 B2	6/2010	Brodersen et al.	
D499,740 S	12/2004	Ombao et al.	D621,844 S	8/2010	Van Os	
D501,214 S	1/2005	Melander et al.	D621,847 S	8/2010	Stallings et al.	
D503,720 S	4/2005	Wasko et al.	D622,285 S	8/2010	Stallings et al.	
D508,248 S	8/2005	Ording	D624,928 S	10/2010	Agnetta et al.	
D523,871 S	6/2006	Hally et al.	D624,929 S	10/2010	Agnetta et al.	
D528,124 S	9/2006	Hally et al.	D624,930 S	10/2010	Agnetta et al.	
D528,559 S	9/2006	Hally et al.	D624,931 S	10/2010	Agnetta et al.	
D543,991 S	6/2007	Vigesaa	D625,316 S	10/2010	Jewitt et al.	
D543,992 S	6/2007	Vigesaa	D625,322 S	10/2010	Guntaur et al.	
D544,495 S	6/2007	Evans et al.	D631,889 S	2/2011	Vance et al.	
7,236,576 B2	6/2007	Schnarel et al.	D631,890 S	2/2011	Vance et al.	
D545,832 S	7/2007	Armendariz	D631,891 S	2/2011	Vance et al.	
D545,833 S	7/2007	Armendariz	7,882,448 B2	2/2011	Haug	
D550,689 S	9/2007	Vigesaa	D638,026 S	5/2011	Rechin et al.	
D576,173 S	9/2008	Oshiro et al.	D644,662 S *	9/2011	Gardner et al. .... D14/495	
D578,134 S	10/2008	Jasinski	D649,973 S	12/2011	Matas	
D582,426 S	12/2008	Chen et al.	D660,313 S *	5/2012	Williams et al. .... D14/487	
D585,453 S	1/2009	Chen et al.	2002/0109710 A1	8/2002	Holtz et al.	
D586,362 S	2/2009	Horowitz et al.	2004/0100479 A1	5/2004	Nakano et al.	
7,490,295 B2	2/2009	Chaudhri et al.	2005/0091272 A1	4/2005	Smith et al.	
D588,148 S	3/2009	Stone et al.	2005/0246654 A1	11/2005	Hally et al.	
D588,150 S	3/2009	Stone et al.	2007/0033540 A1	2/2007	Bridges et al.	
D593,110 S	5/2009	Danton	2007/0067738 A1	3/2007	Flynt et al.	
D593,120 S	5/2009	Bouchard et al.	2008/0059570 A1	3/2008	Bill	
			2009/0040875 A1	2/2009	Buzescu et al.	
			2009/0164923 A1	6/2009	Ovi	
			2009/0327853 A1	12/2009	Dean et al.	

\* cited by examiner



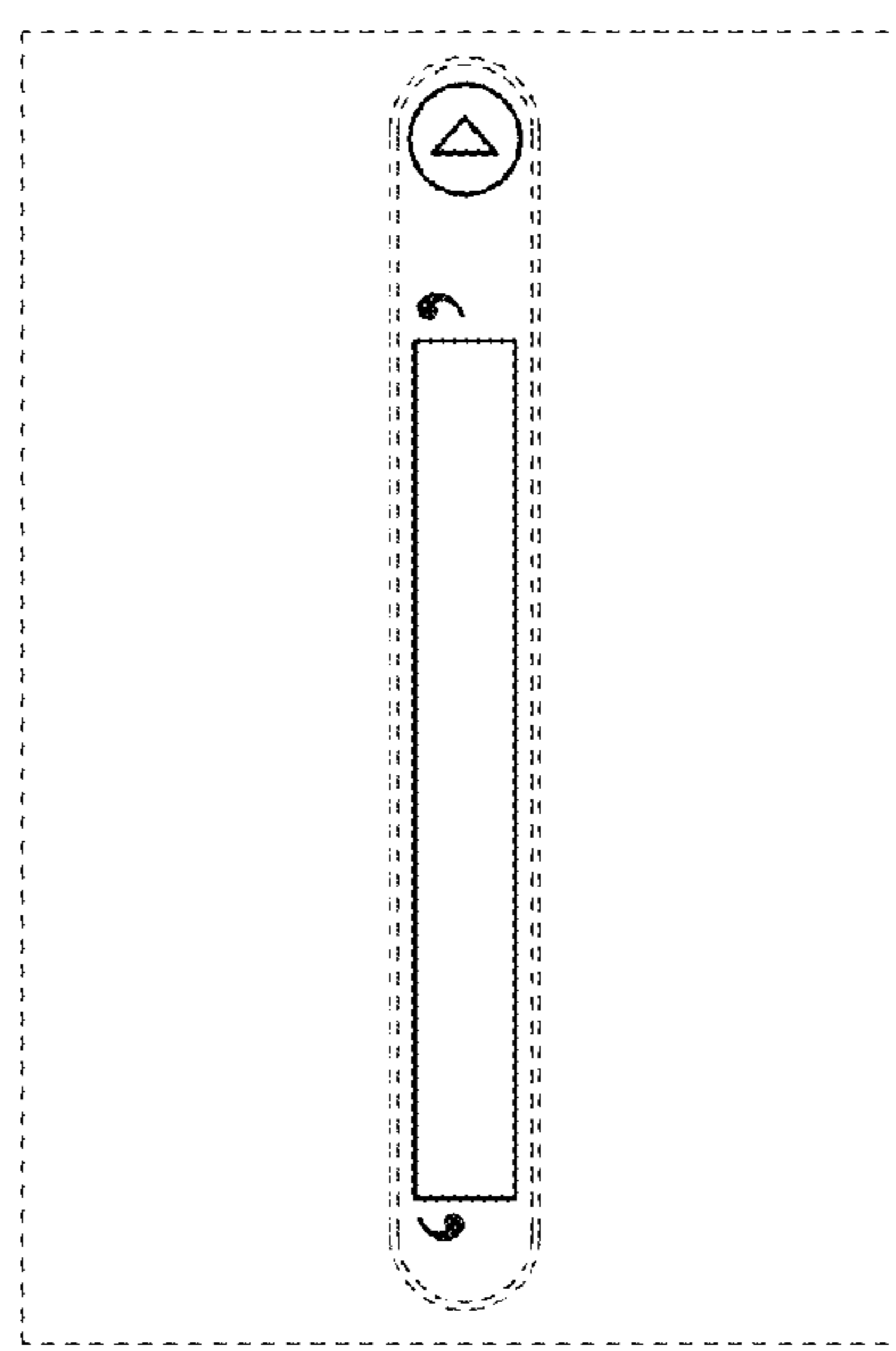
**FIG. 1**

© 2009 Amazon Technologies, Inc.



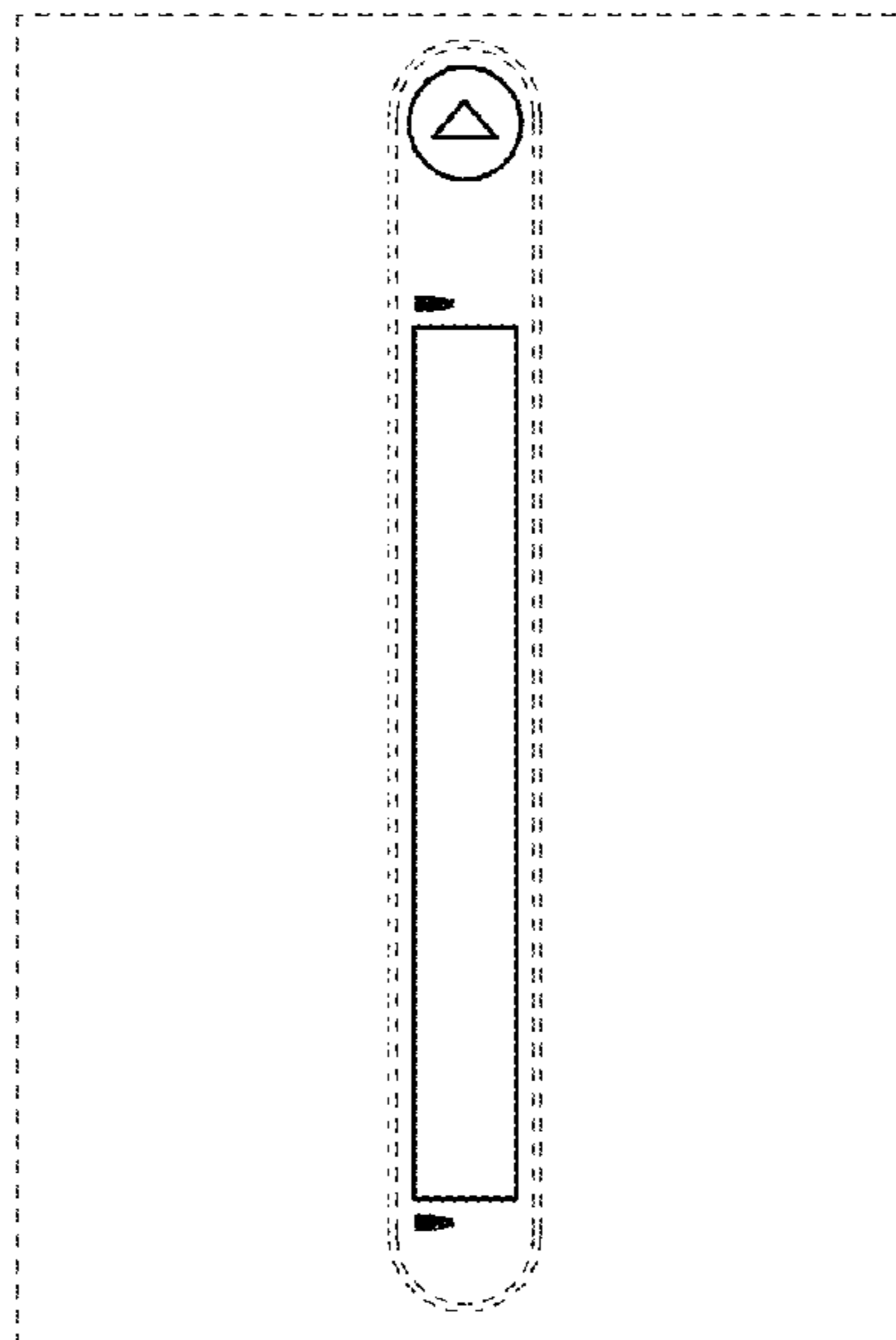
**FIG. 2**

© 2009 Amazon Technologies, Inc.



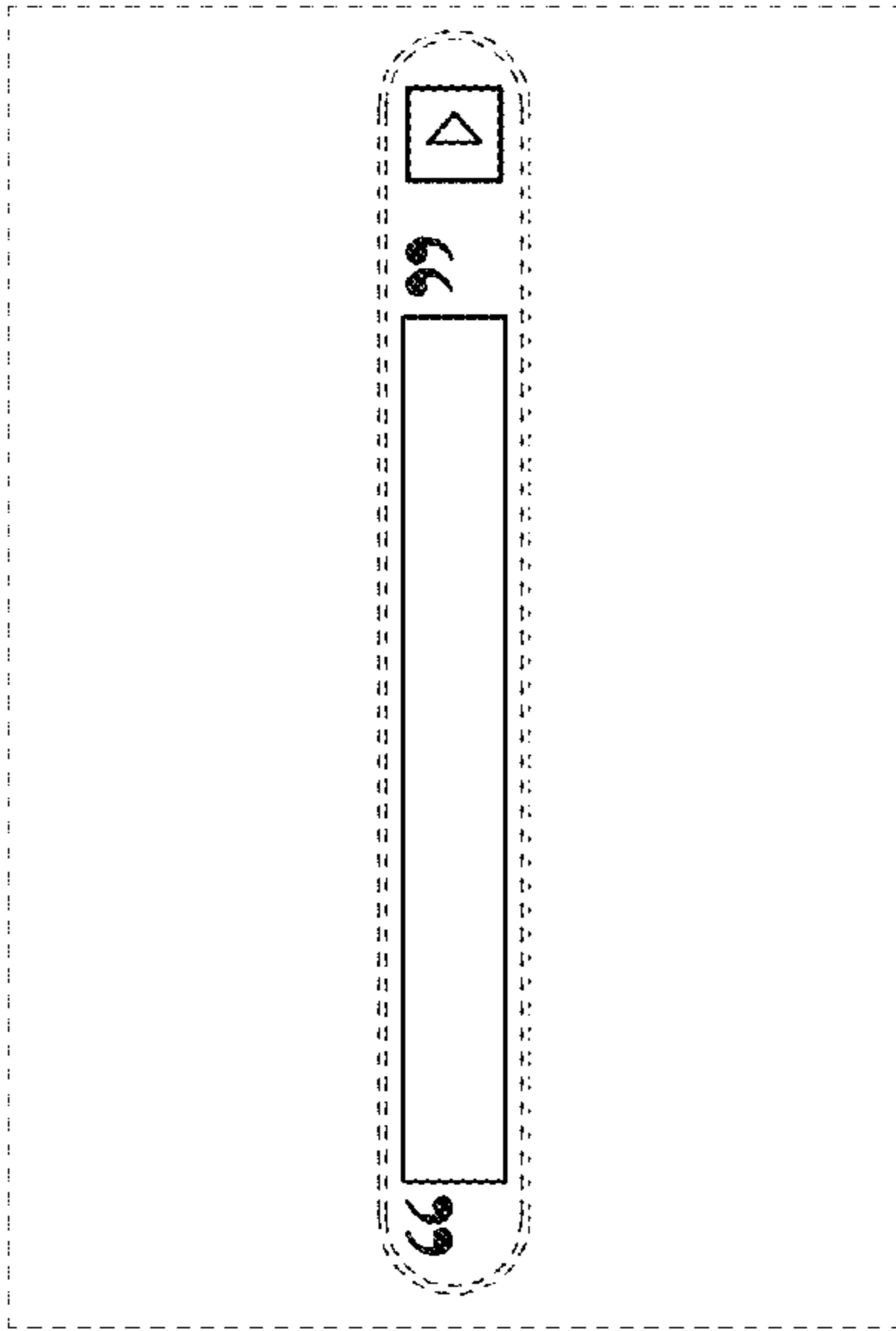
**FIG. 3**

© 2009 Amazon Technologies, Inc.



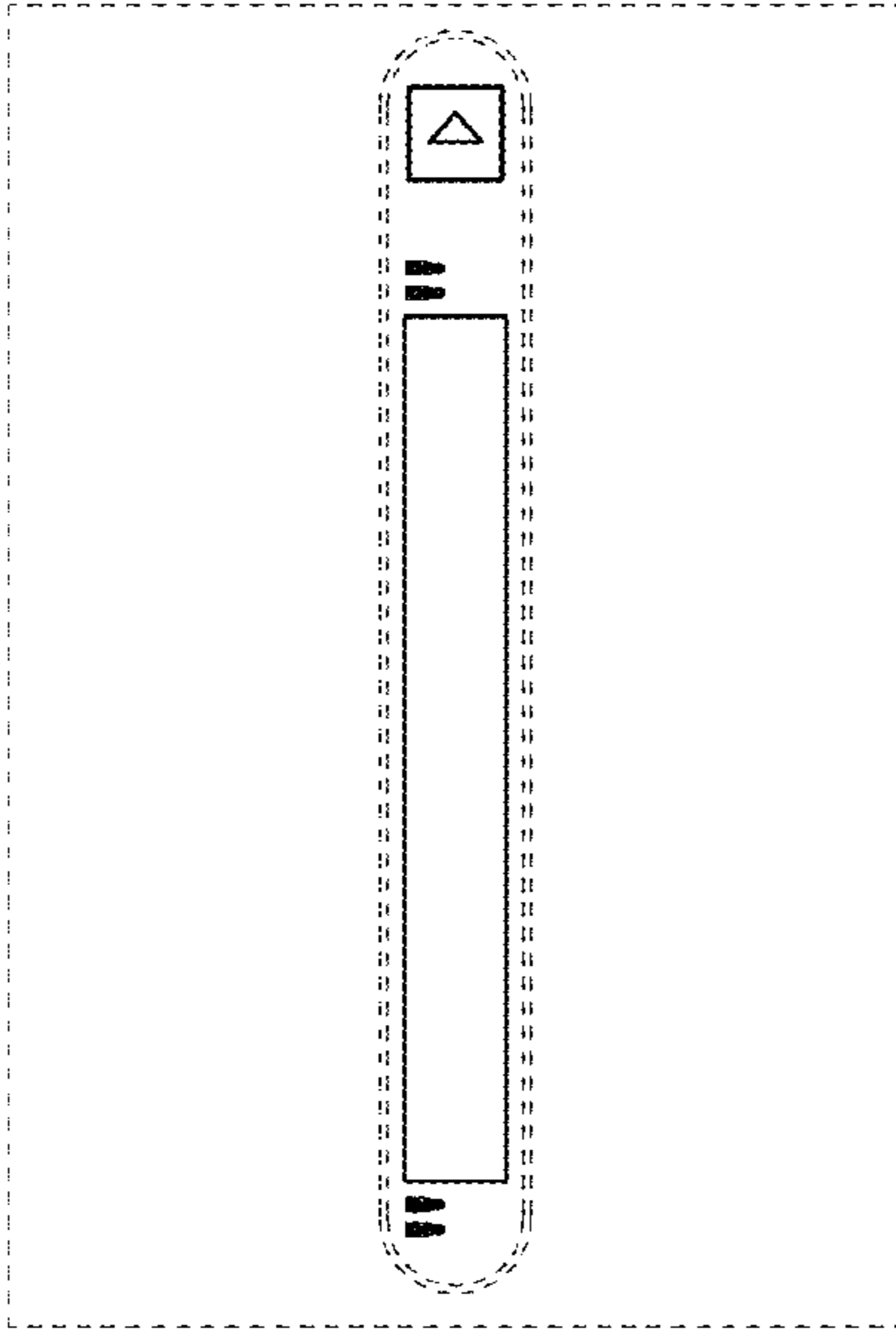
**FIG. 4**

© 2009 Amazon Technologies, Inc.



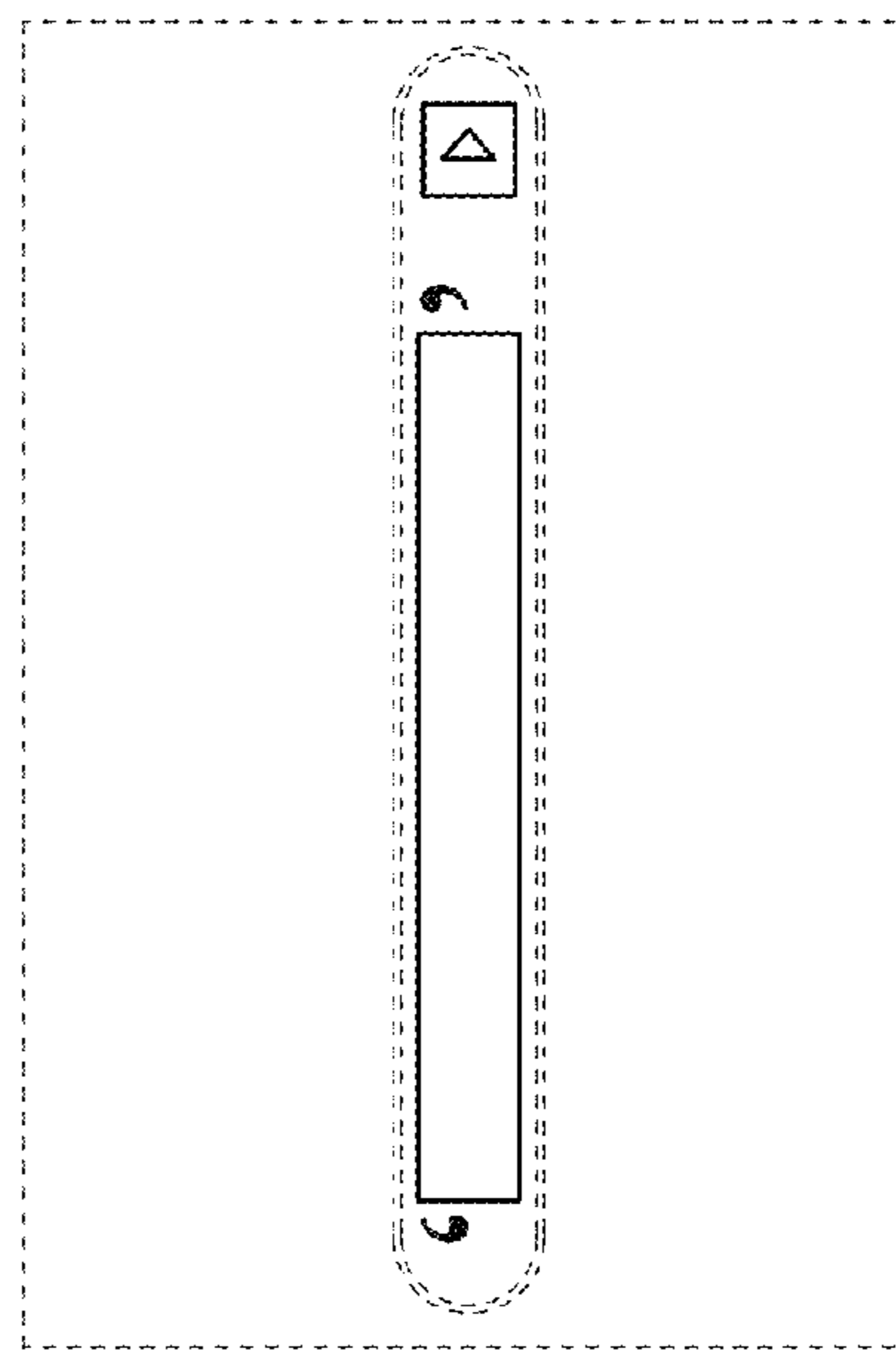
**FIG. 5**

© 2009 Amazon Technologies, Inc.



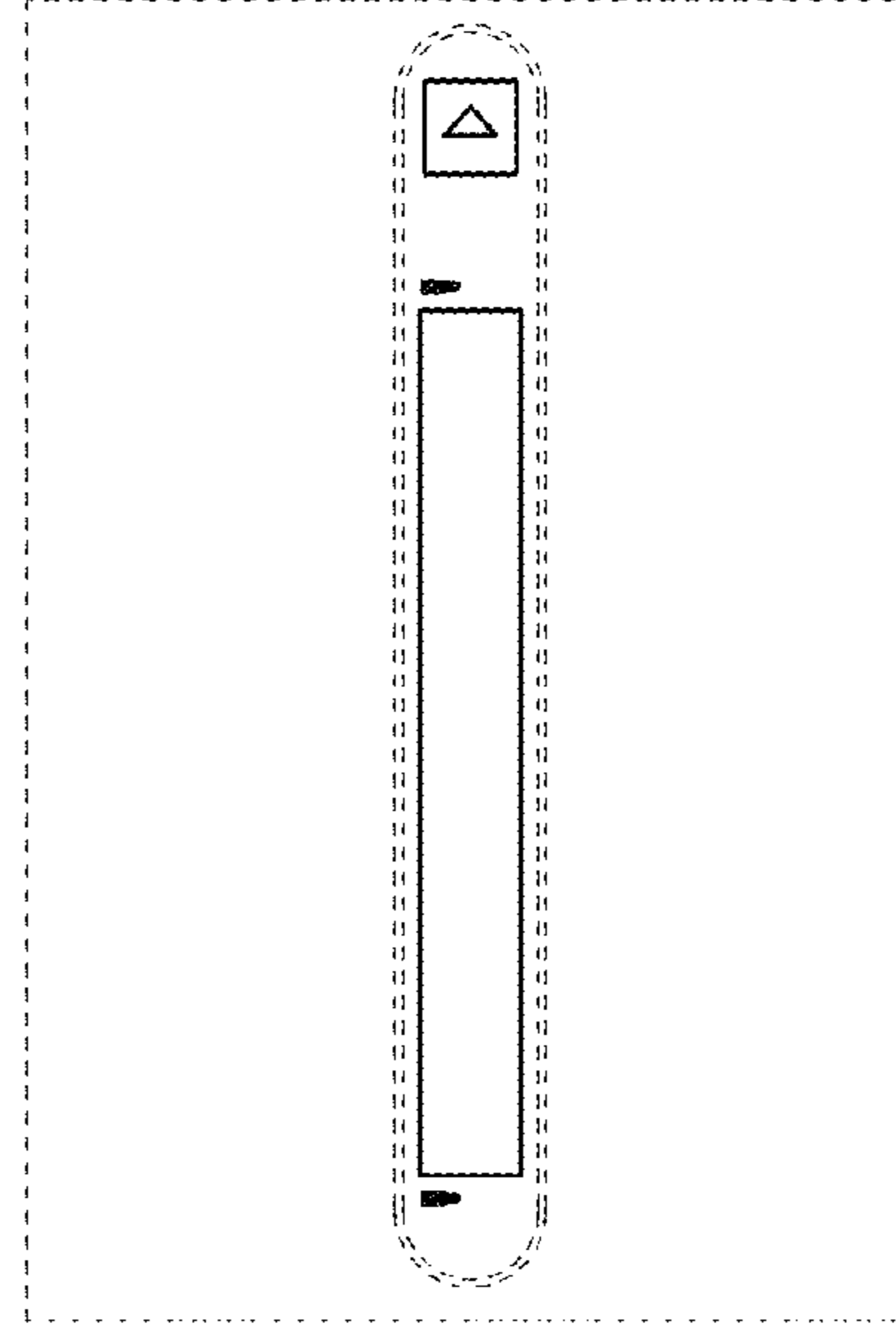
**FIG. 6**

© 2009 Amazon Technologies, Inc.



**FIG. 7**

© 2009 Amazon Technologies, Inc.



**FIG. 8**

© 2009 Amazon Technologies, Inc.

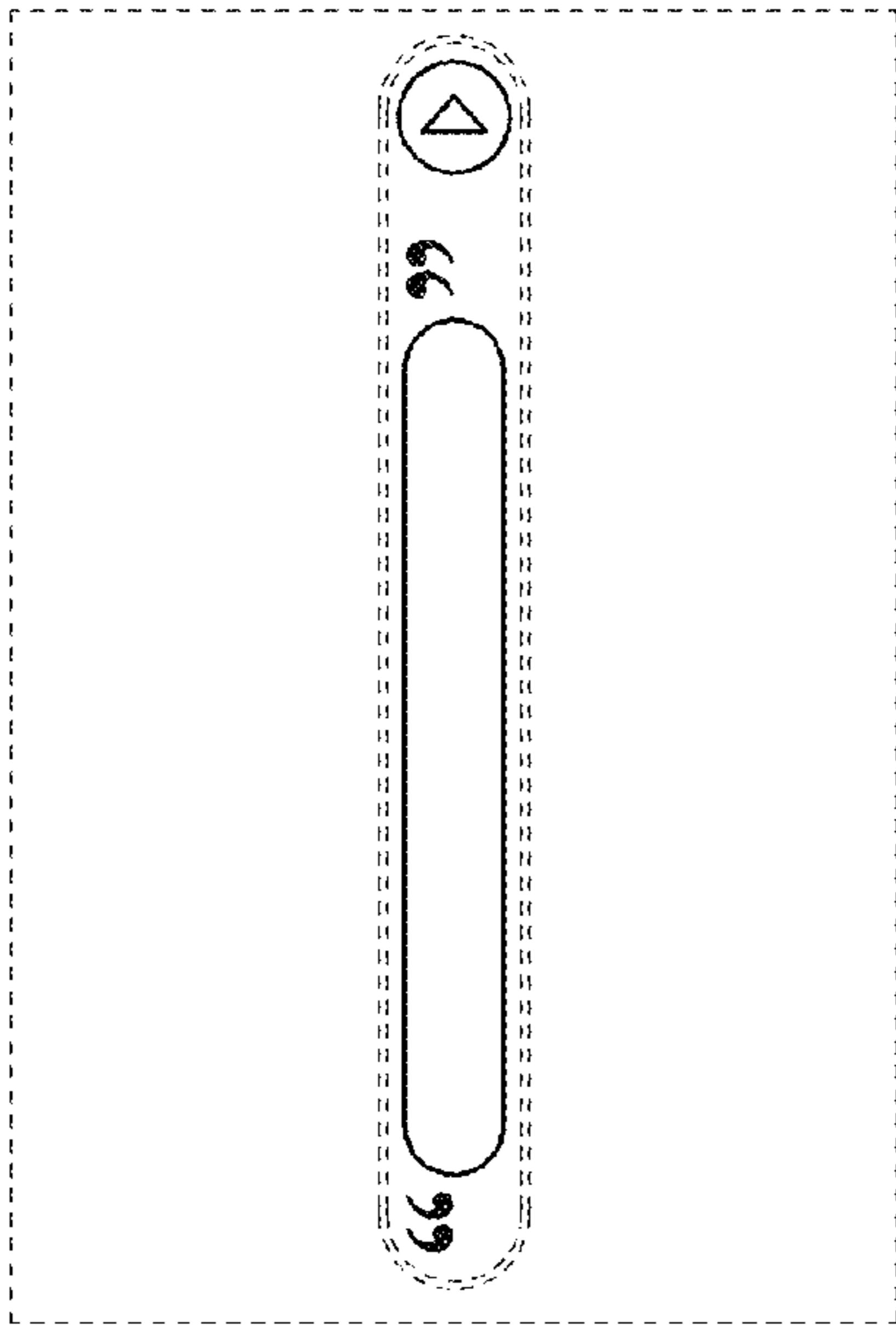


FIG. 9

© 2009 Amazon Technologies, Inc.

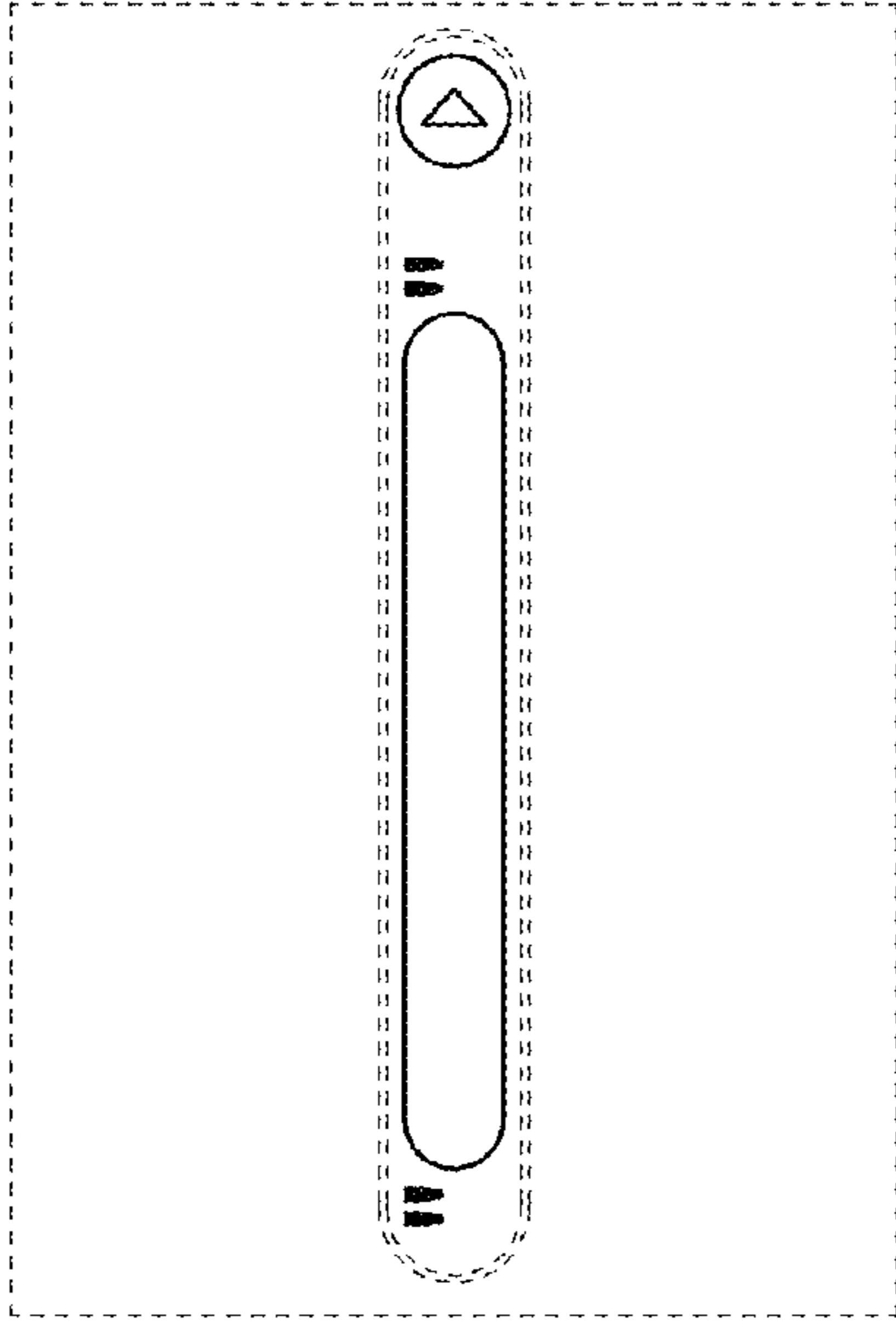


FIG. 10

© 2009 Amazon Technologies, Inc.

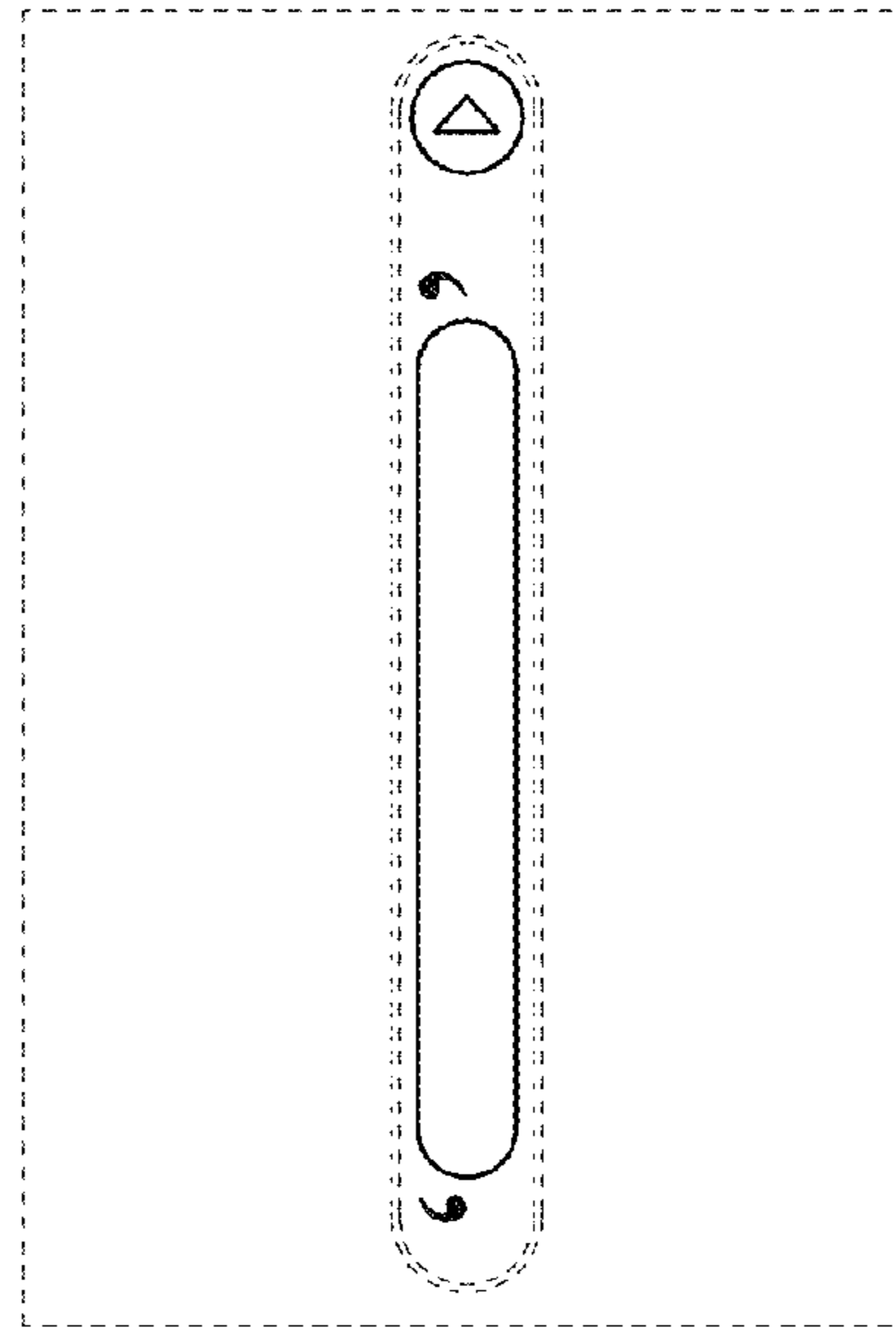


FIG. 11

© 2009 Amazon Technologies, Inc.

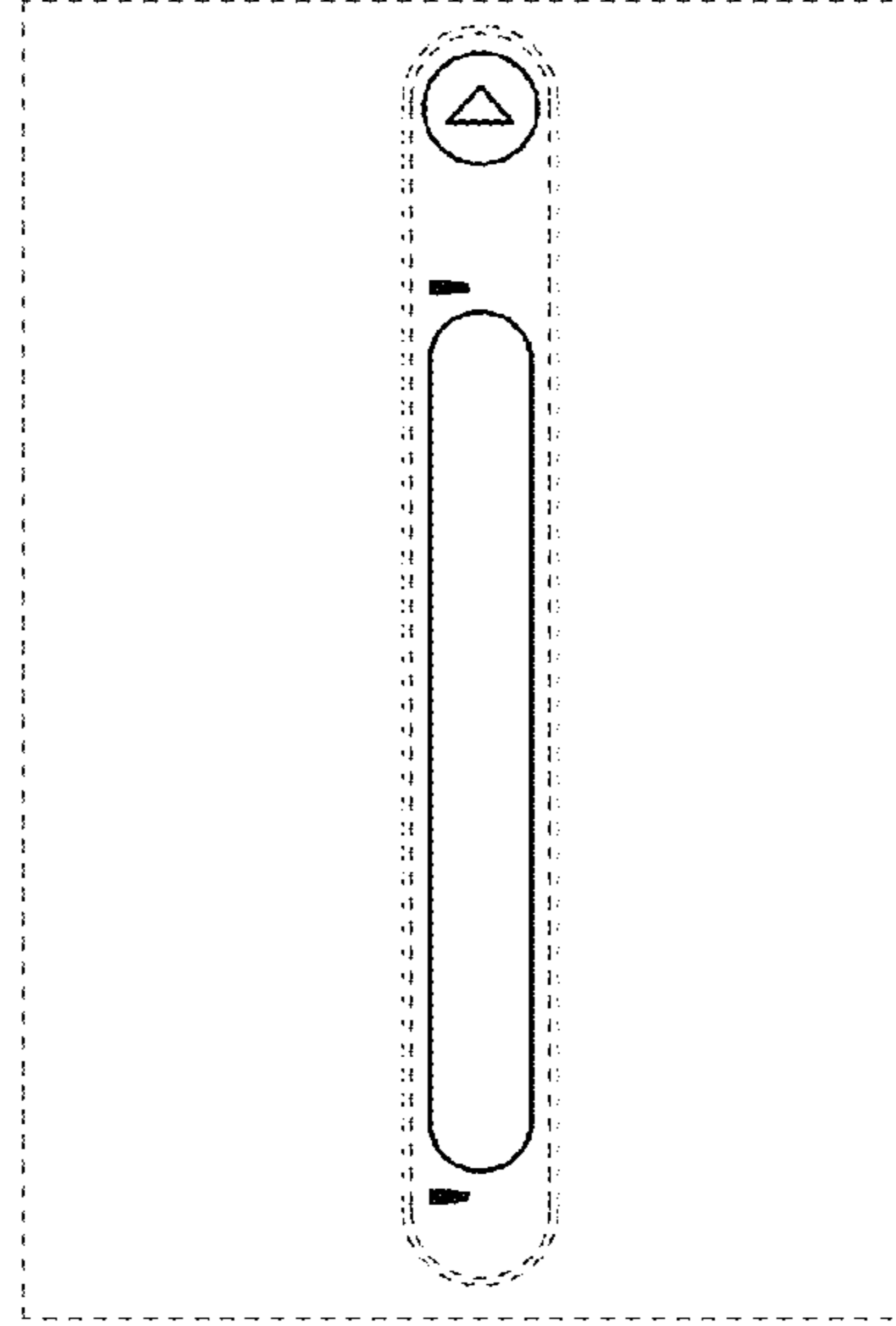
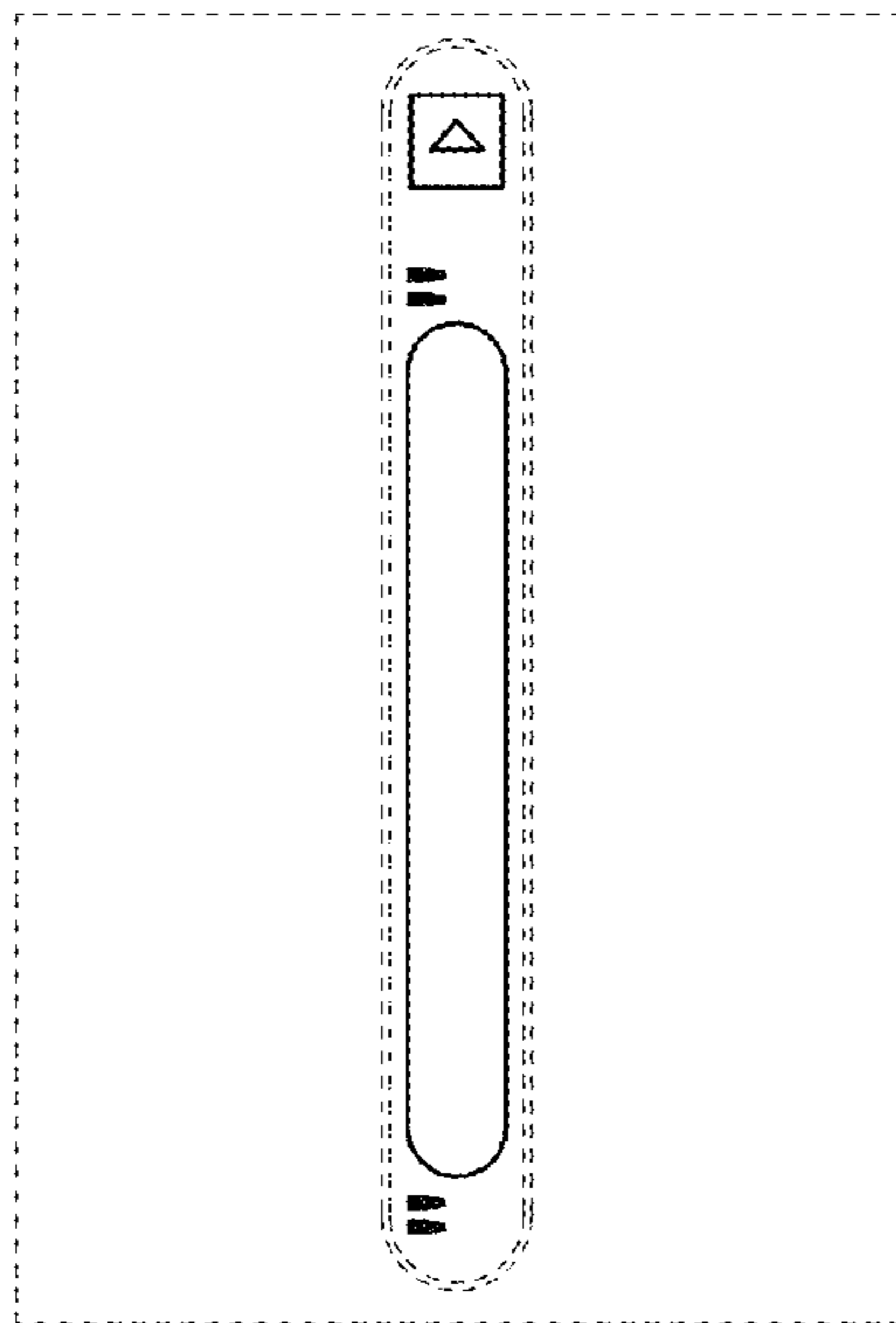


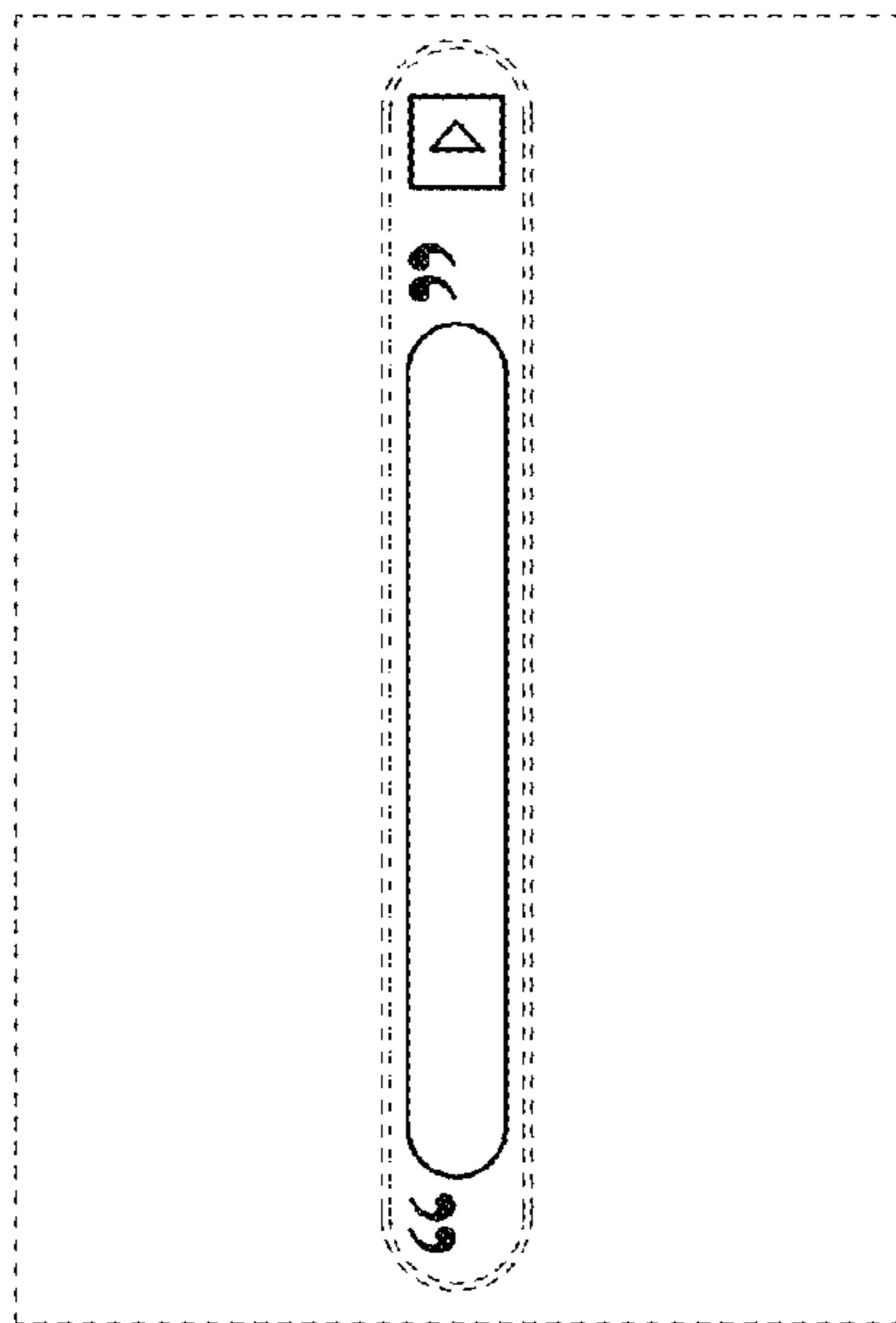
FIG. 12

© 2009 Amazon Technologies, Inc.



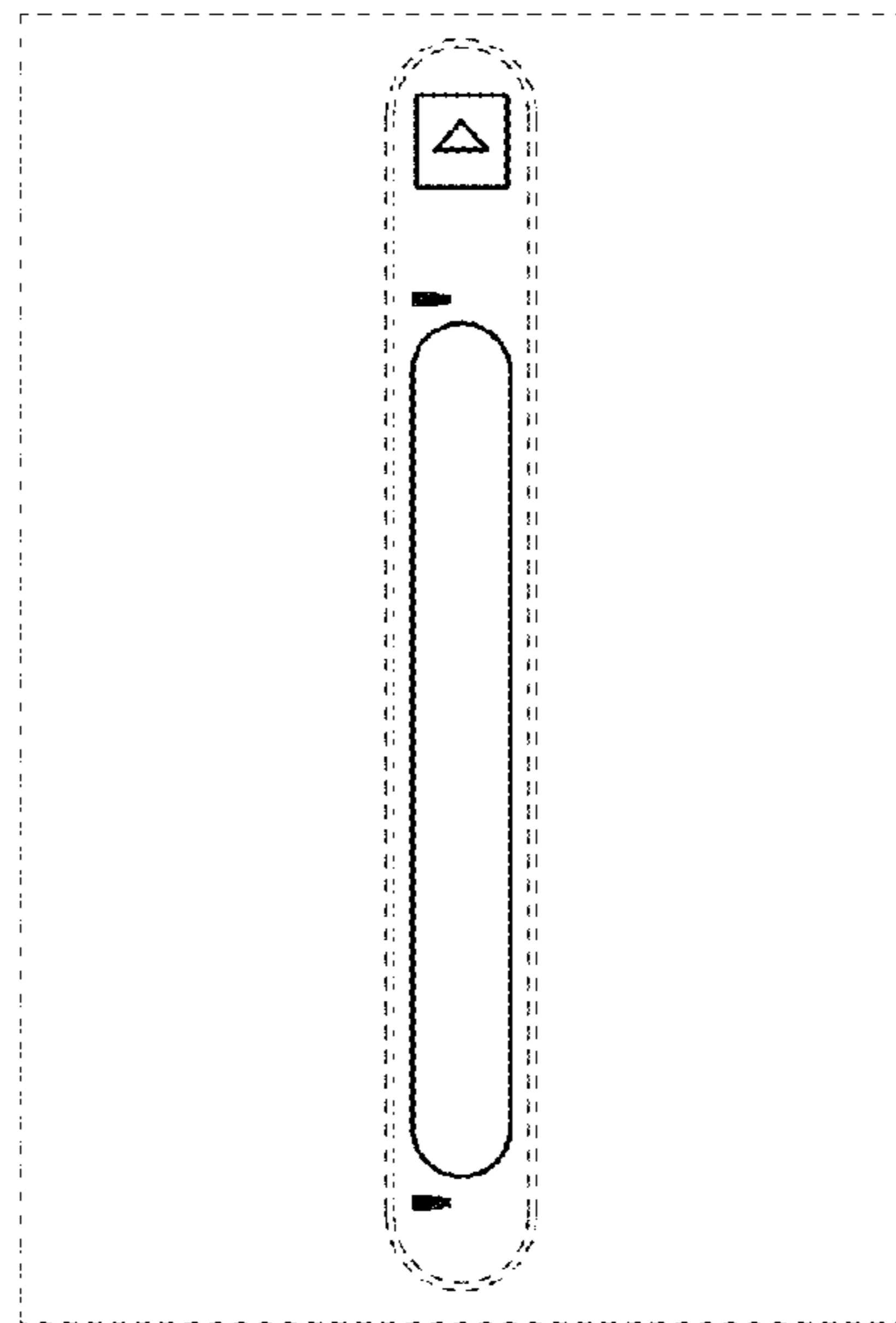
**FIG. 13**

© 2009 Amazon Technologies, Inc.



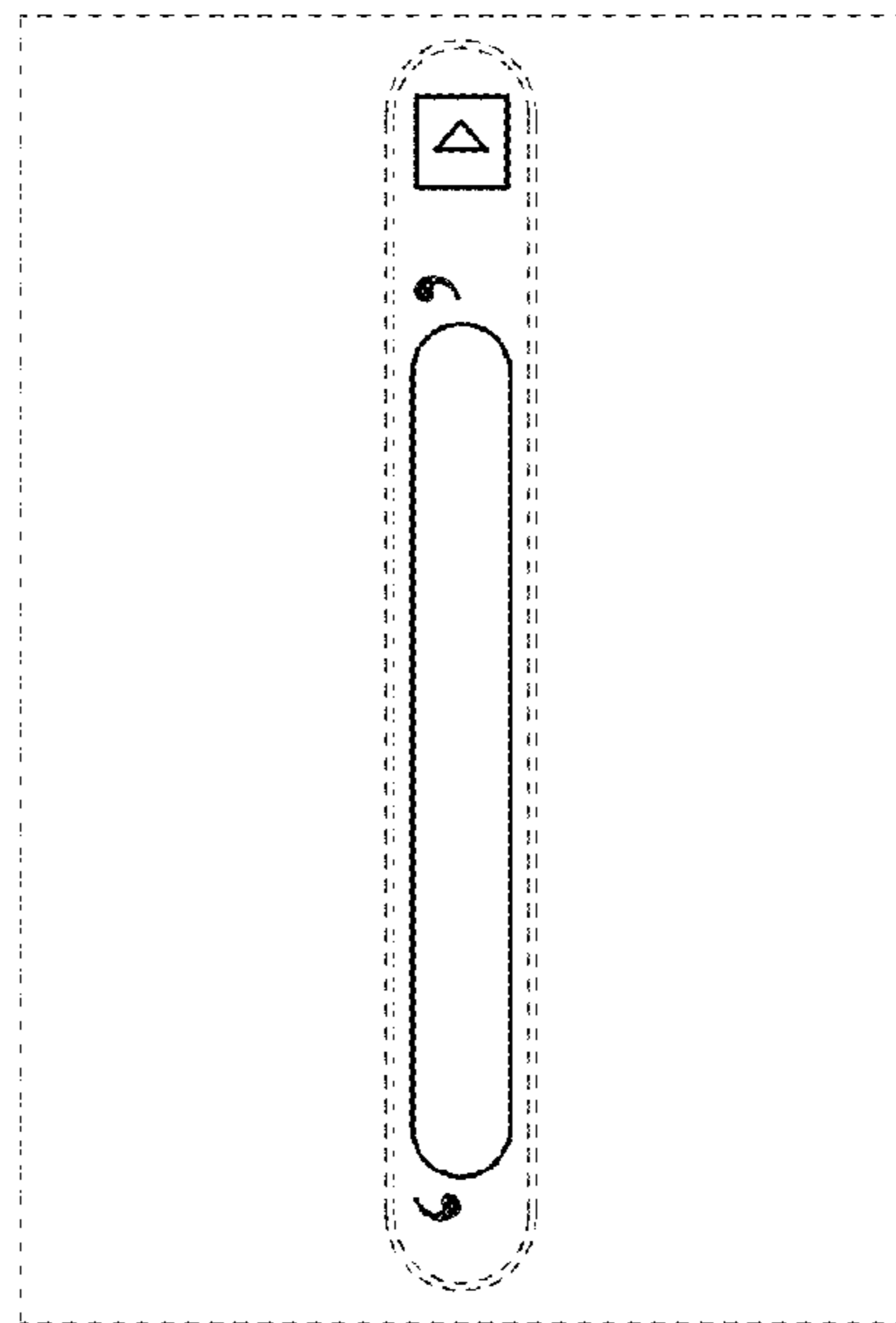
**FIG. 14**

© 2009 Amazon Technologies, Inc.



**FIG. 15**

© 2009 Amazon Technologies, Inc.



**FIG. 16**

© 2009 Amazon Technologies, Inc.