



US00D722604S

(12) **United States Design Patent**  
**Woo et al.**

(10) **Patent No.:** **US D722,604 S**

(45) **Date of Patent:** **\*\* Feb. 17, 2015**

(54) **COMPUTER MONITOR**

(71) Applicant: **Samsung Electronics Co., Ltd.**,  
Suwon-si (KR)

(72) Inventors: **Park Sung Woo**, Suwon-si (KR); **Won Tae Yeon**, Seoul (KR)

(73) Assignee: **Samsung Electronics Co., Ltd.**,  
Suwon-si (KR)

(\*\*) Term: **14 Years**

(21) Appl. No.: **29/445,335**

(22) Filed: **Feb. 11, 2013**

(30) **Foreign Application Priority Data**

Sep. 18, 2012 (KR) ..... 30-2012-0045066

(51) **LOC (10) Cl.** ..... **14-02**

(52) **U.S. Cl.**  
USPC ..... **D14/448**

(58) **Field of Classification Search**  
USPC ..... D14/371-375, 125-129, 336, 337, 448,  
D14/451, 452, 492, 335, 376-382, 447,  
D14/239; 341/12; 345/104, 156, 168, 173;  
348/180, 184, 325, 739; 349/1, 2, 11,  
349/62; 361/679.05-679.07, 679.21,  
361/679.22; 248/125.8, 159, 162.1  
See application file for complete search history.

(56) **References Cited**

**U.S. PATENT DOCUMENTS**

D295,415 S \* 4/1988 Thies et al. .... D14/452  
7,195,214 B2 \* 3/2007 Lee et al. .... 248/125.8  
D570,841 S \* 6/2008 Kim et al. .... D14/375  
7,389,963 B2 \* 6/2008 Cho et al. .... 248/159

D588,602 S \* 3/2009 Chao et al. .... D14/451  
D620,902 S \* 8/2010 Kim et al. .... D14/126  
D624,062 S \* 9/2010 Kasuga et al. .... D14/239  
D624,063 S \* 9/2010 Kasuga et al. .... D14/239  
D635,975 S \* 4/2011 Seo et al. .... D14/374  
D638,022 S \* 5/2011 Kasuga et al. .... D14/451  
D650,386 S \* 12/2011 Lee et al. .... D14/374  
D658,176 S \* 4/2012 Lee et al. .... D14/374  
8,162,271 B2 \* 4/2012 Li ..... 248/162.1  
D677,638 S \* 3/2013 Kim et al. .... D14/126  
D685,805 S \* 7/2013 Lu et al. .... D14/451  
D688,672 S \* 8/2013 Seo et al. .... D14/451  
D694,206 S \* 11/2013 Seo et al. .... D14/126  
D695,244 S \* 12/2013 Wolff et al. .... D14/126

\* cited by examiner

*Primary Examiner* — Barbara Fox

*Assistant Examiner* — Katie Mroczka

(74) *Attorney, Agent, or Firm* — Ladas & Parry LLP

(57) **CLAIM**

We claim the ornamental design for a computer monitor, as shown and described.

**DESCRIPTION**

FIG. 1 is a front/right-side/top perspective view of a computer monitor showing our new design;  
FIG. 2 is a front-side elevational view thereof;  
FIG. 3 is a rear-side elevational view thereof;  
FIG. 4 is a left-side elevational view thereof;  
FIG. 5 is a right-side elevational view thereof;  
FIG. 6 is a top-side elevational view thereof;  
FIG. 7 is a bottom-side elevational view thereof;  
FIG. 8 is a back/left-side/top perspective view thereof; and,  
FIG. 9 is a cross section view along the line A-A in FIG. 6.  
Features shown in broken lines are disclaimed and form no part of the claimed design.

**1 Claim, 9 Drawing Sheets**

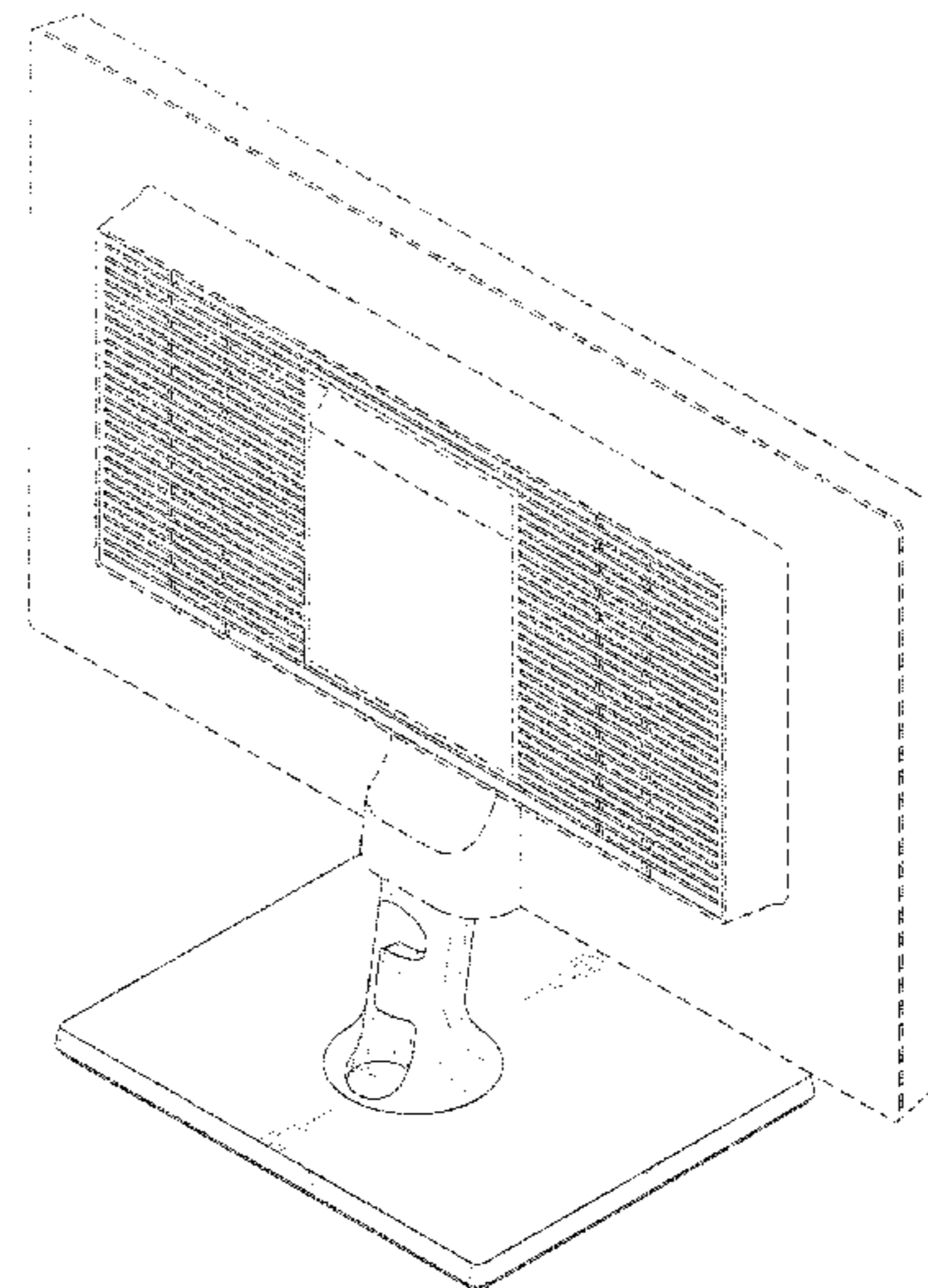
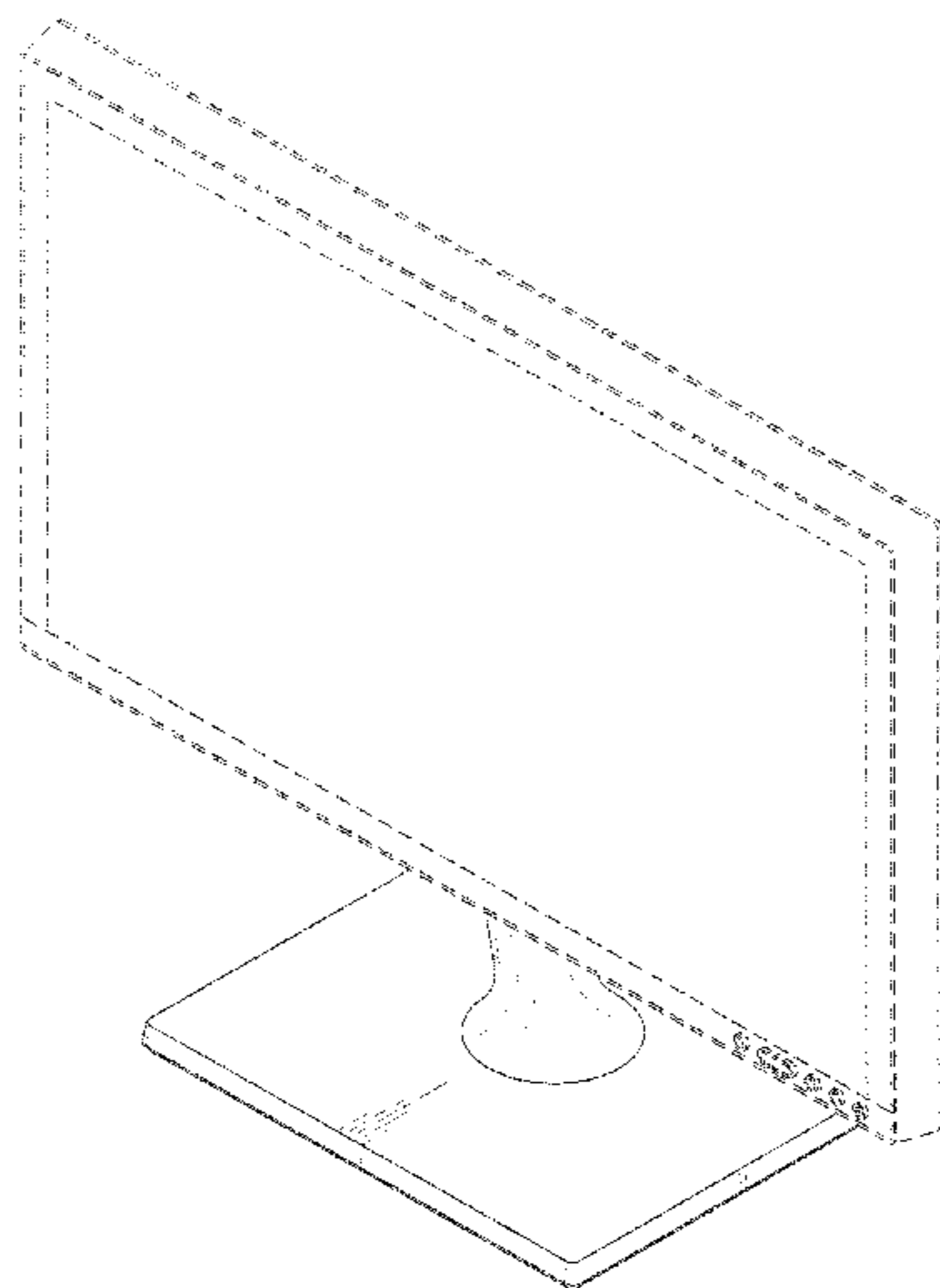


FIG. 1

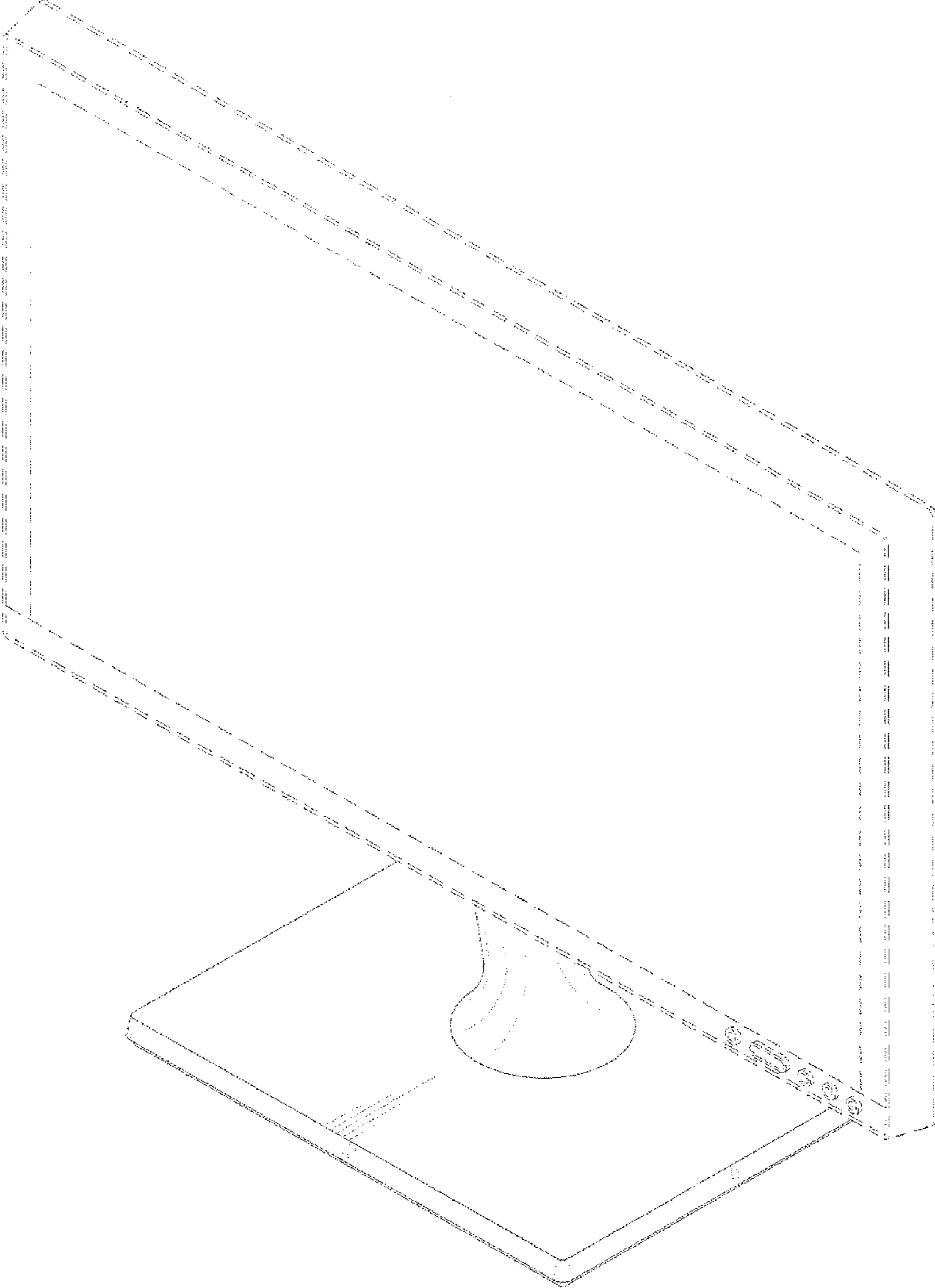


FIG.2

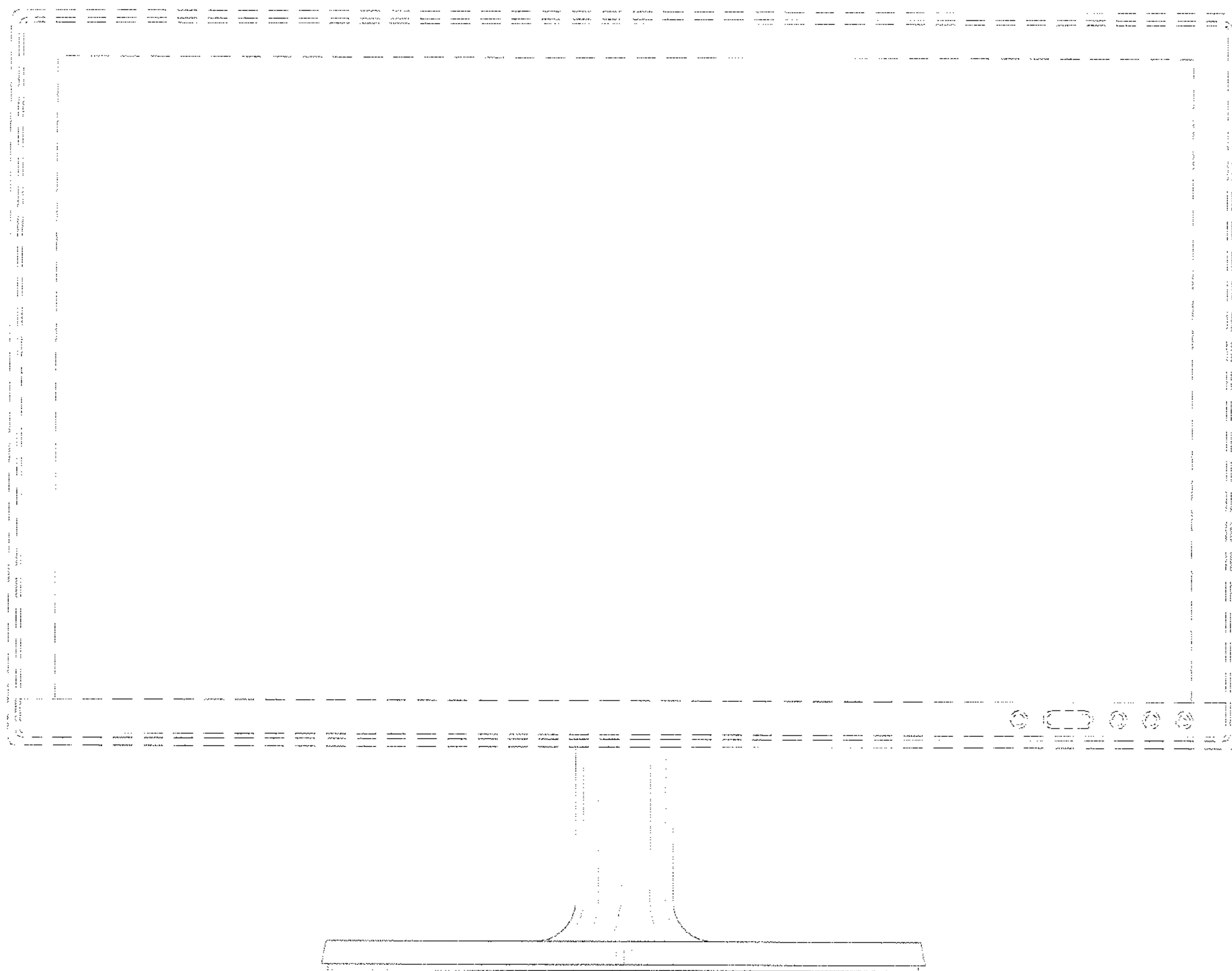


FIG. 3

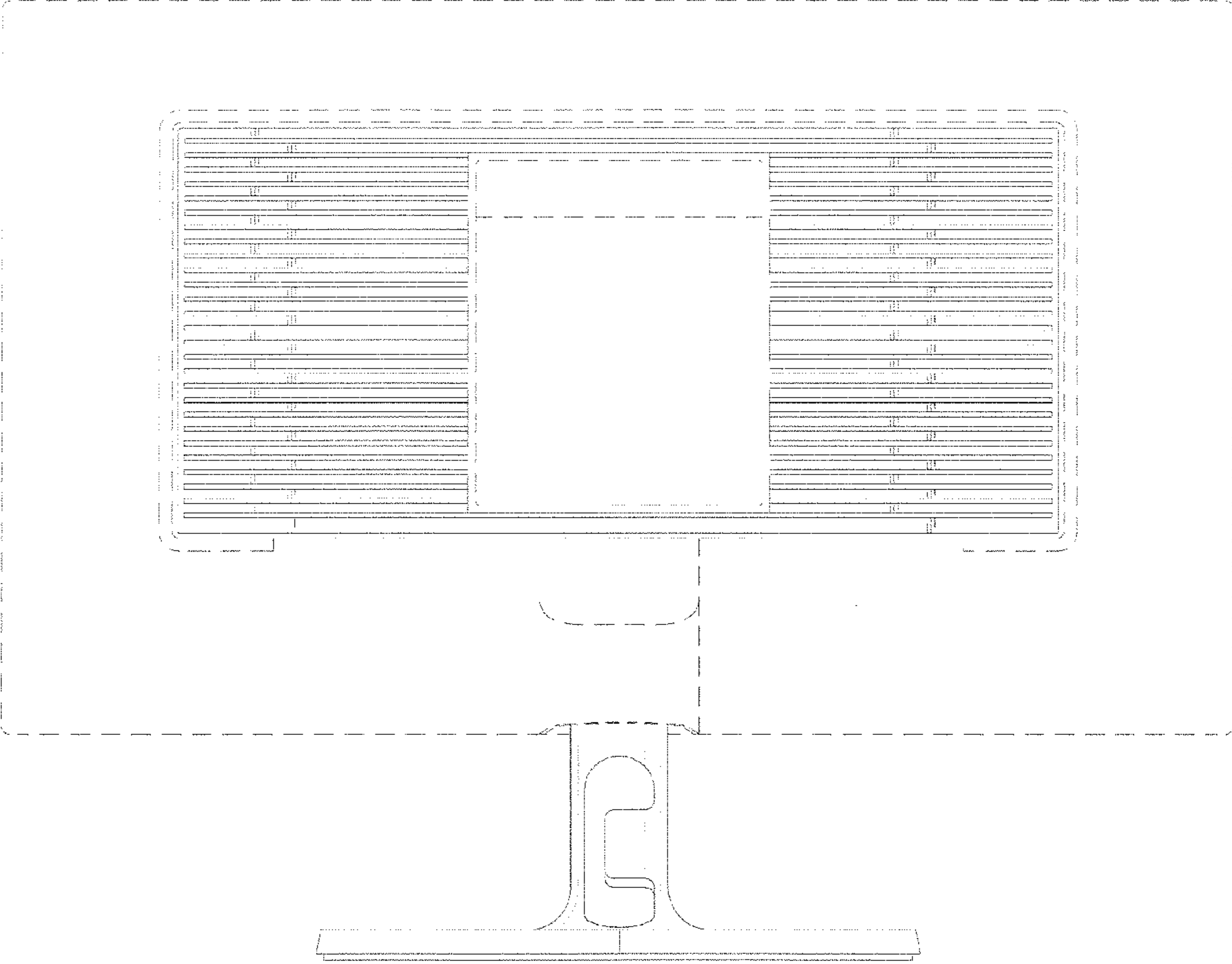


FIG.4

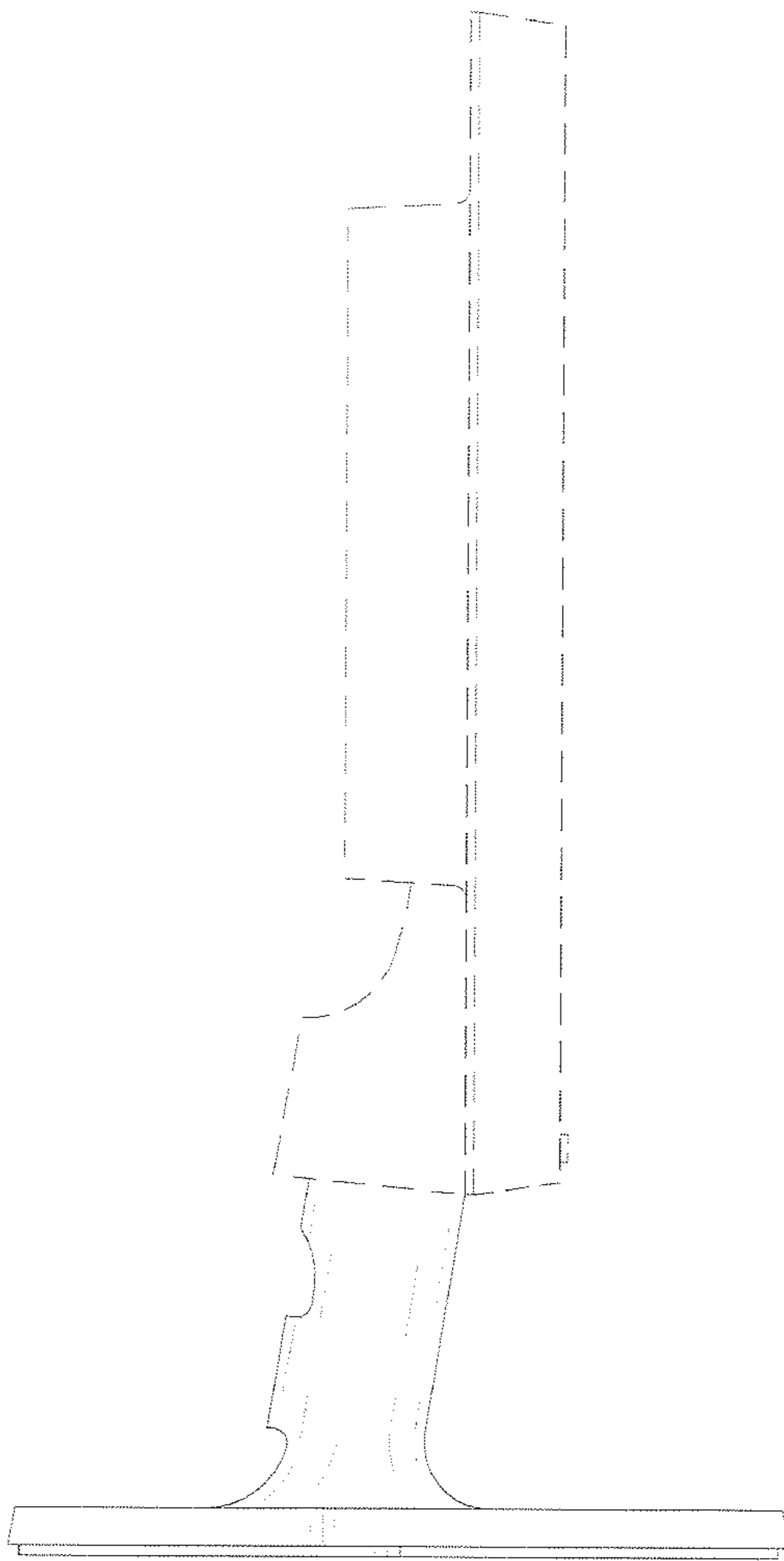


FIG.5

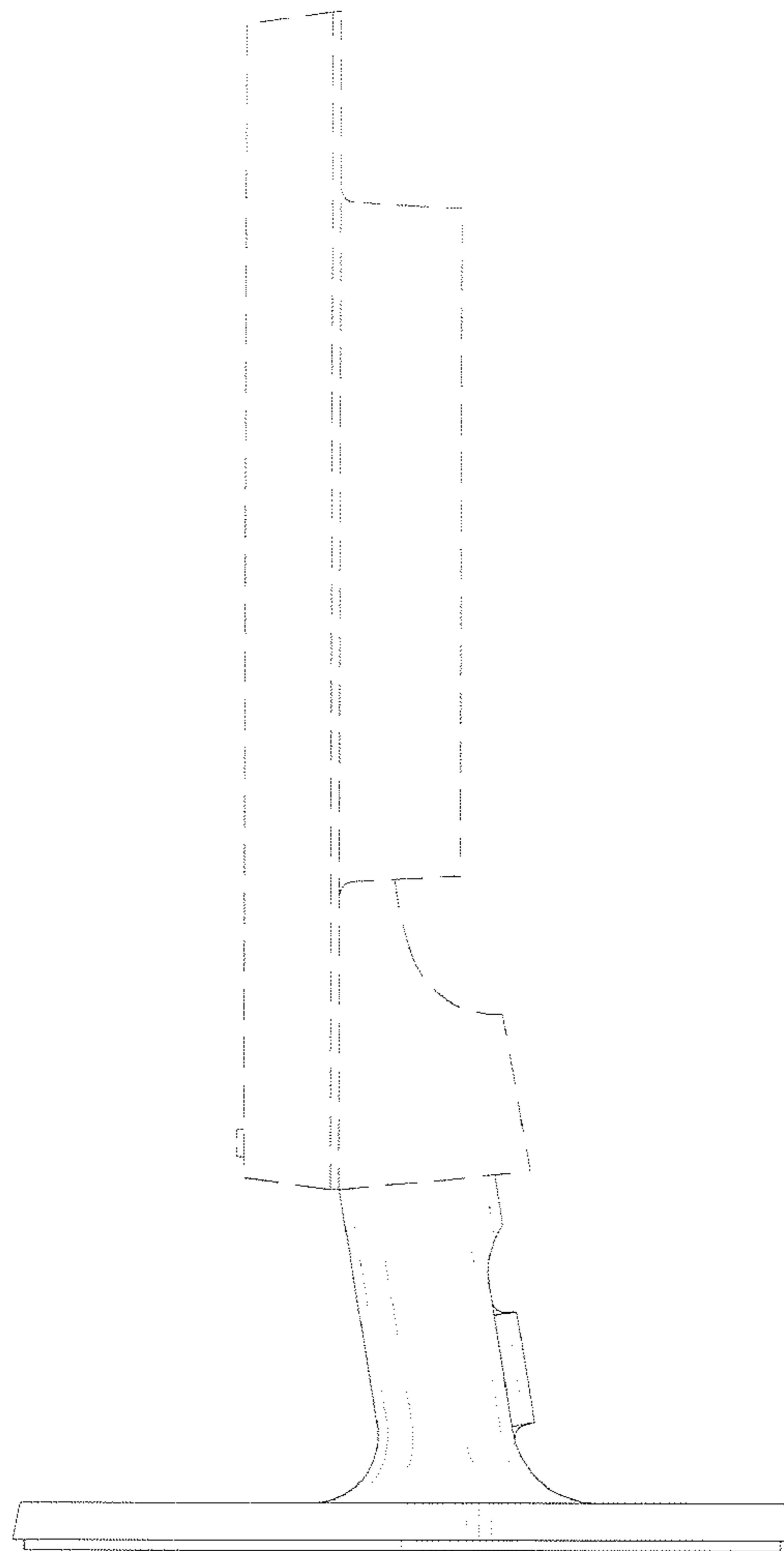


FIG.6

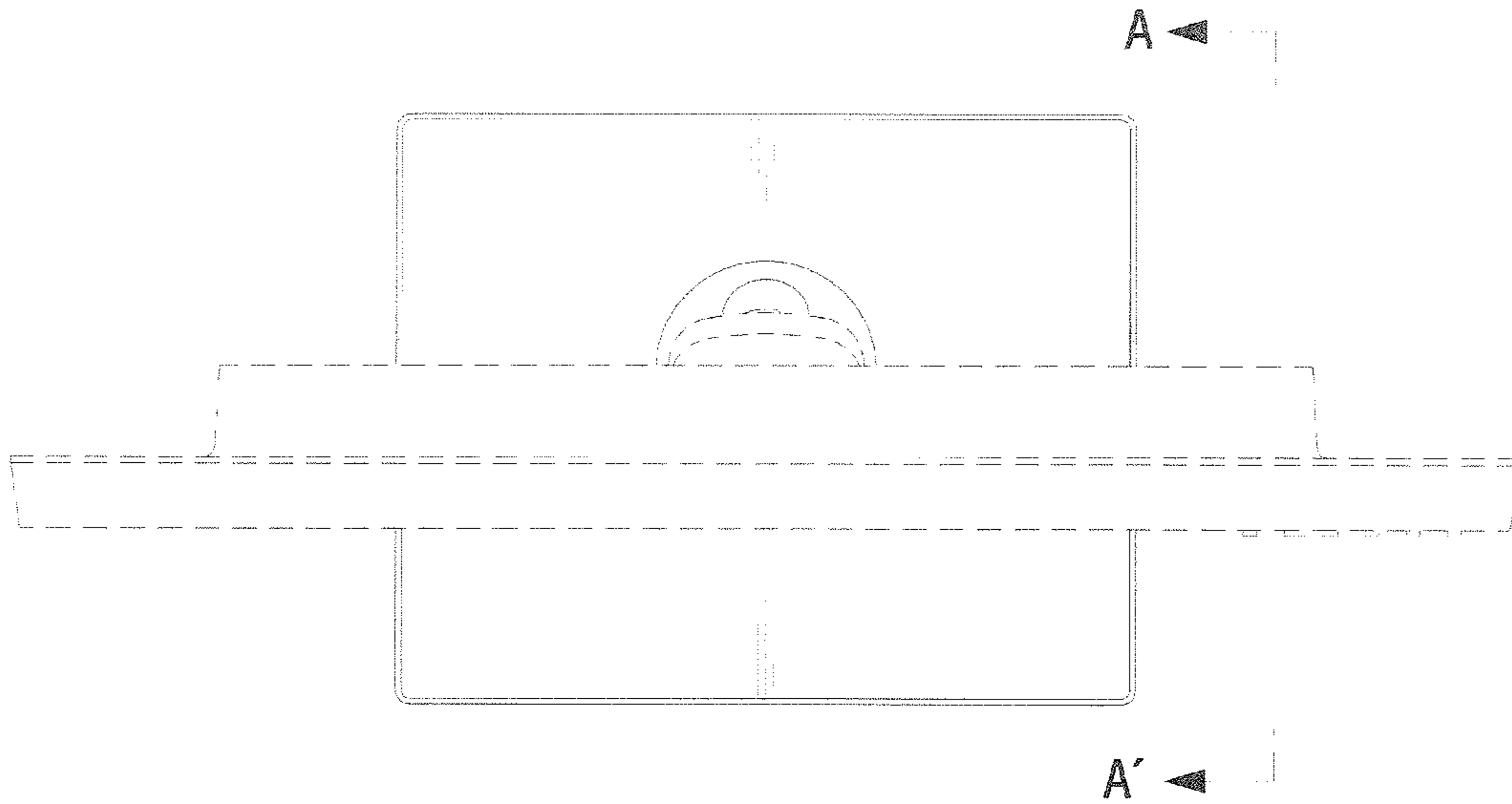


FIG. 7

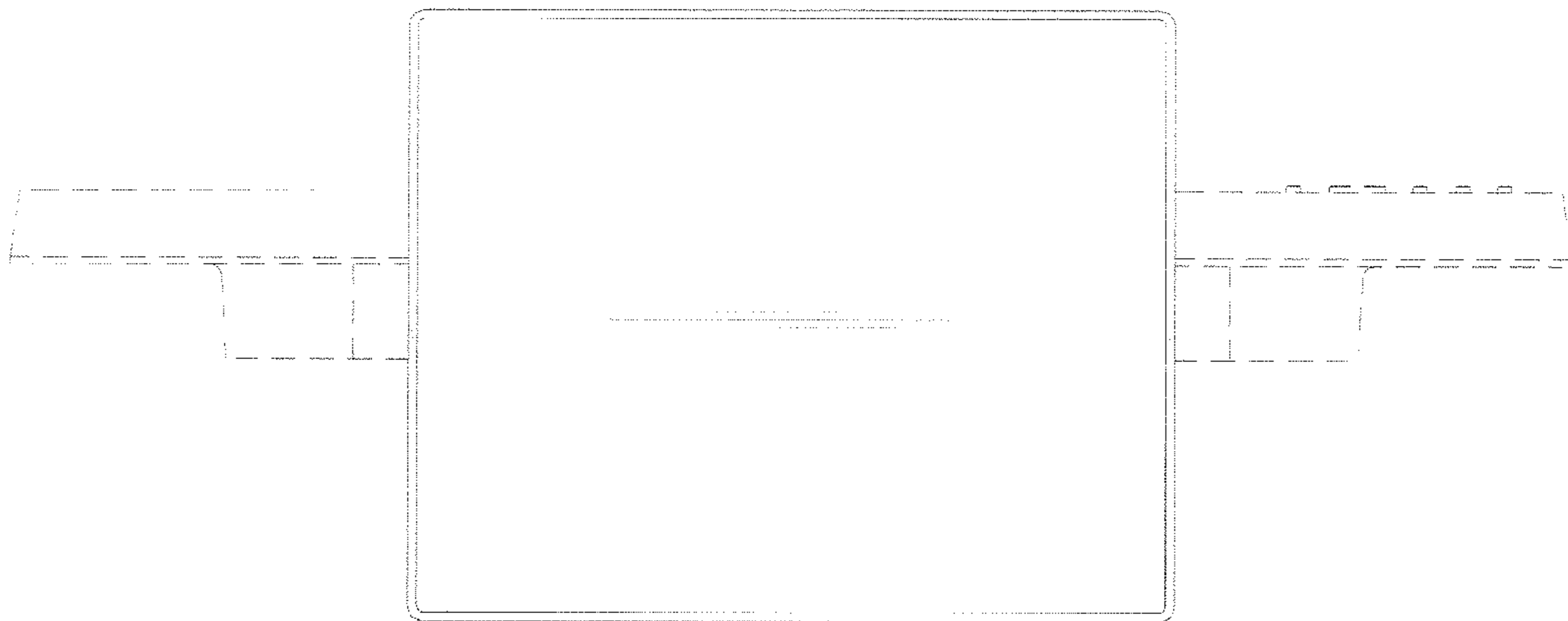




FIG.8

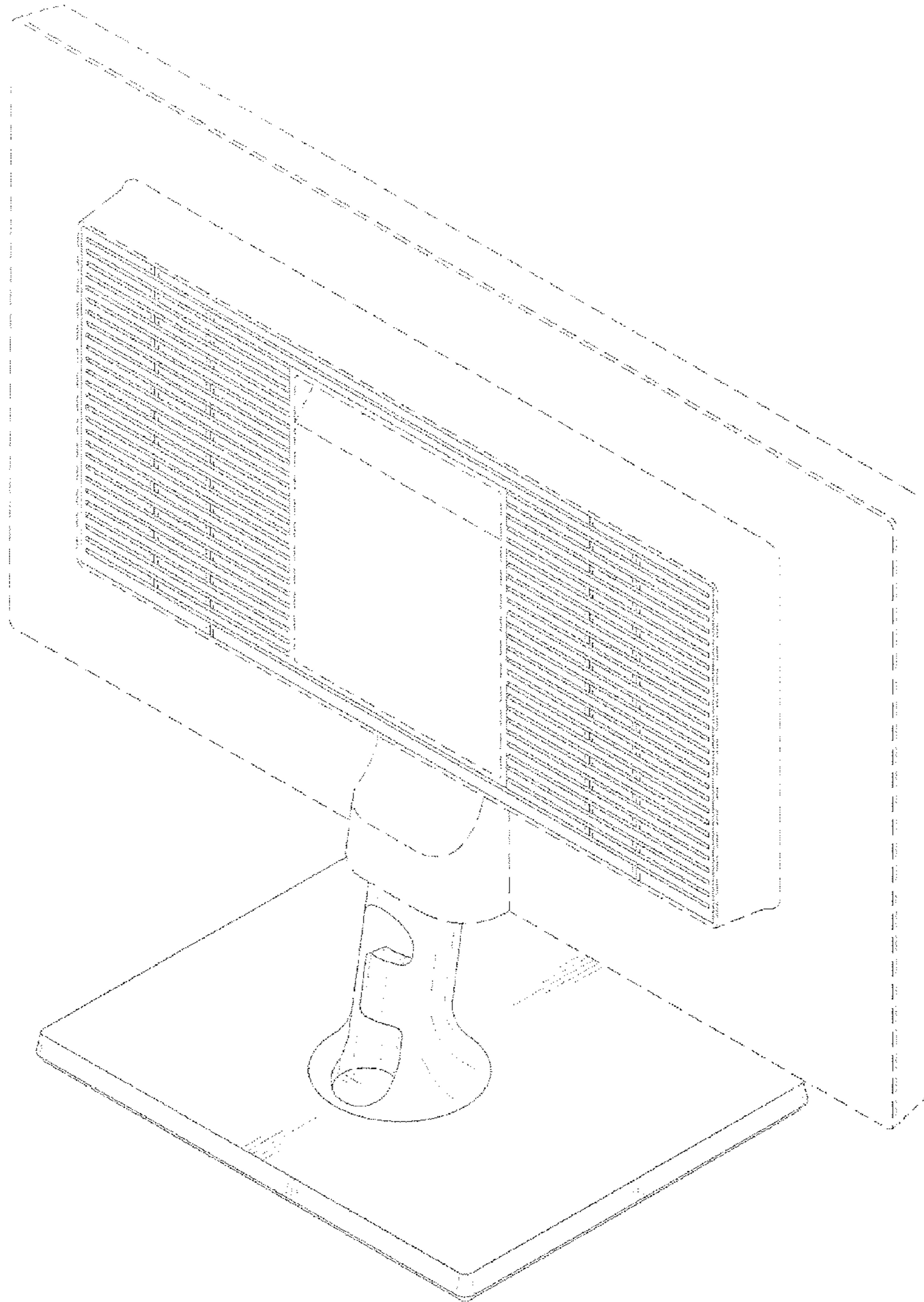


FIG. 9

