



US00D722603S

(12) **United States Design Patent**
Lay et al.

(10) **Patent No.:** **US D722,603 S**
(45) **Date of Patent:** **** Feb. 17, 2015**

- (54) **MOUNT FOR ELECTRONIC DEVICE**
- (71) Applicant: **Otter Products, LLC**, Fort Collins, CO (US)
- (72) Inventors: **Carlton R. Lay**, Fort Collins, CO (US); **Aaron Nott**, Melbourne (AU); **Rodney Brown**, Melbourne (AU)
- (73) Assignee: **Otter Products, LLC**, Fort Collins, CO (US)

(**) Term: **14 Years**

(21) Appl. No.: **29/492,309**

(22) Filed: **May 30, 2014**

(51) **LOC (10) Cl.** **08-03**

(52) **U.S. Cl.**
USPC **D14/447**

(58) **Field of Classification Search**
USPC D14/447, 432, 434, 439, 440, 451, 452, D14/239, 251, 253, 217, 374, 375; D6/406.3, 406.4, 406.5; D3/218; D12/415; 248/917-924, 445, 447, 451, 248/455, 460, 150, 188.6, 176.1; 361/679.09, 679.21, 679.22, 679.26, 361/679.3, 679.55, 679.56

See application file for complete search history.

(56) **References Cited**

U.S. PATENT DOCUMENTS

- D603,840 S * 11/2009 Lee et al. D14/217
- D639,301 S * 6/2011 Anderson et al. D14/434

- D664,528 S * 7/2012 Chen et al. D14/253
- D666,614 S * 9/2012 Ding D14/253
- D667,012 S * 9/2012 Chen et al. D14/447
- D675,212 S * 1/2013 Chen D14/447
- D676,055 S * 2/2013 Izen et al. D14/447
- D680,117 S * 4/2013 Ho D14/434
- D688,670 S * 8/2013 Huang D14/447
- D692,010 S * 10/2013 Verghese D14/447
- D697,920 S * 1/2014 Fujioka D14/447
- D703,214 S * 4/2014 Lye D14/447
- D712,906 S * 9/2014 Wengreen et al. D14/451

* cited by examiner

Primary Examiner — Angela J Lee

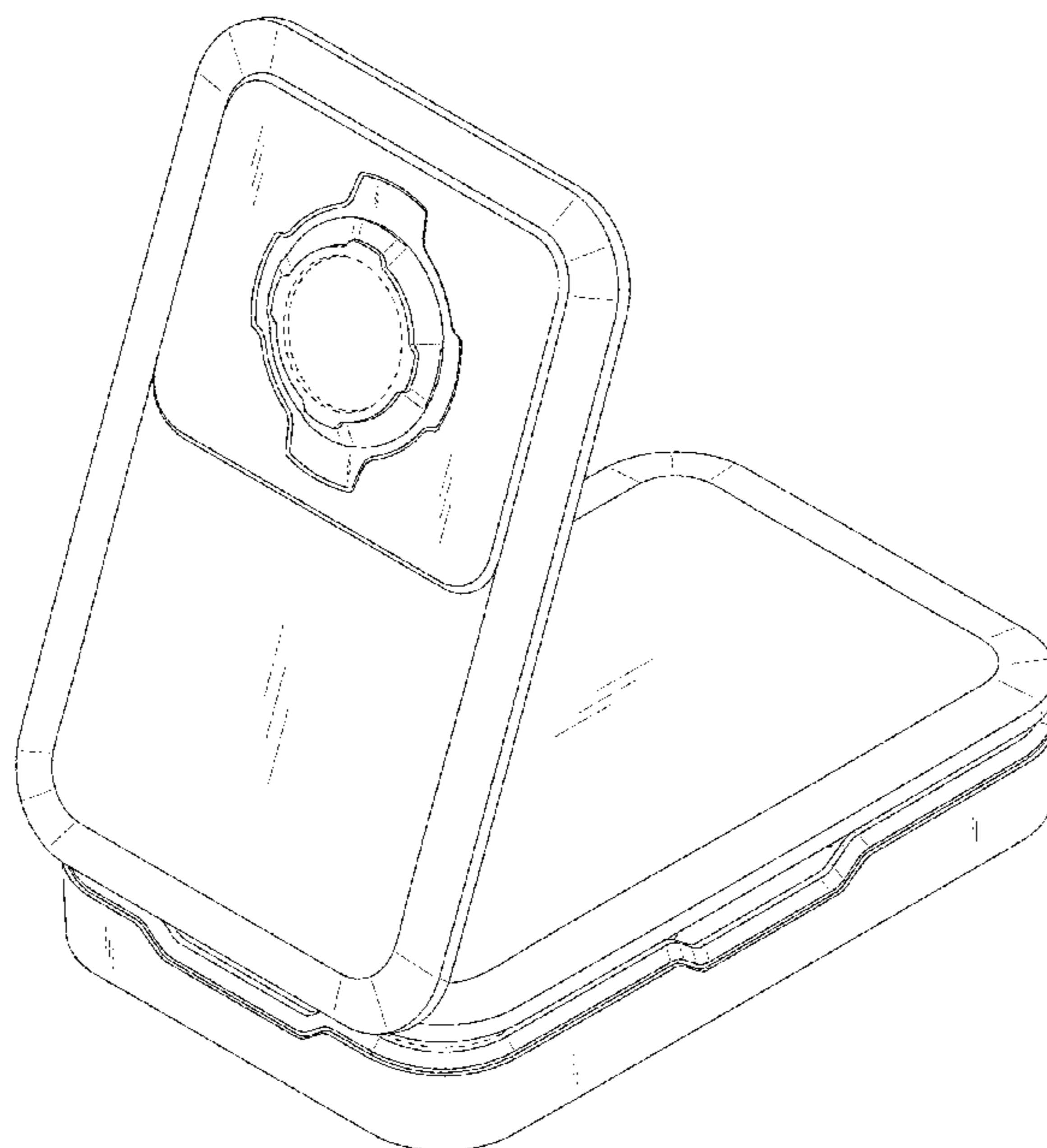
(57) **CLAIM**

The ornamental design for a mount for electronic device, as shown and described.

DESCRIPTION

FIG. 1 is a front isometric view of a first embodiment of a mount for electronic device showing our new design; FIG. 2 is a rear isometric view thereof; FIG. 3 is a front view thereof; FIG. 4 is a rear view thereof; FIG. 5 is a left view thereof; FIG. 6 is a right view thereof; FIG. 7 is a top view thereof; FIG. 8 is a bottom view thereof; FIG. 9 is a front isometric view of a second embodiment of a mount for electronic device; and, FIG. 10 is a rear isometric view thereof. The broken lines depict unclaimed environment. The broken lines form no part of the claimed design.

1 Claim, 8 Drawing Sheets



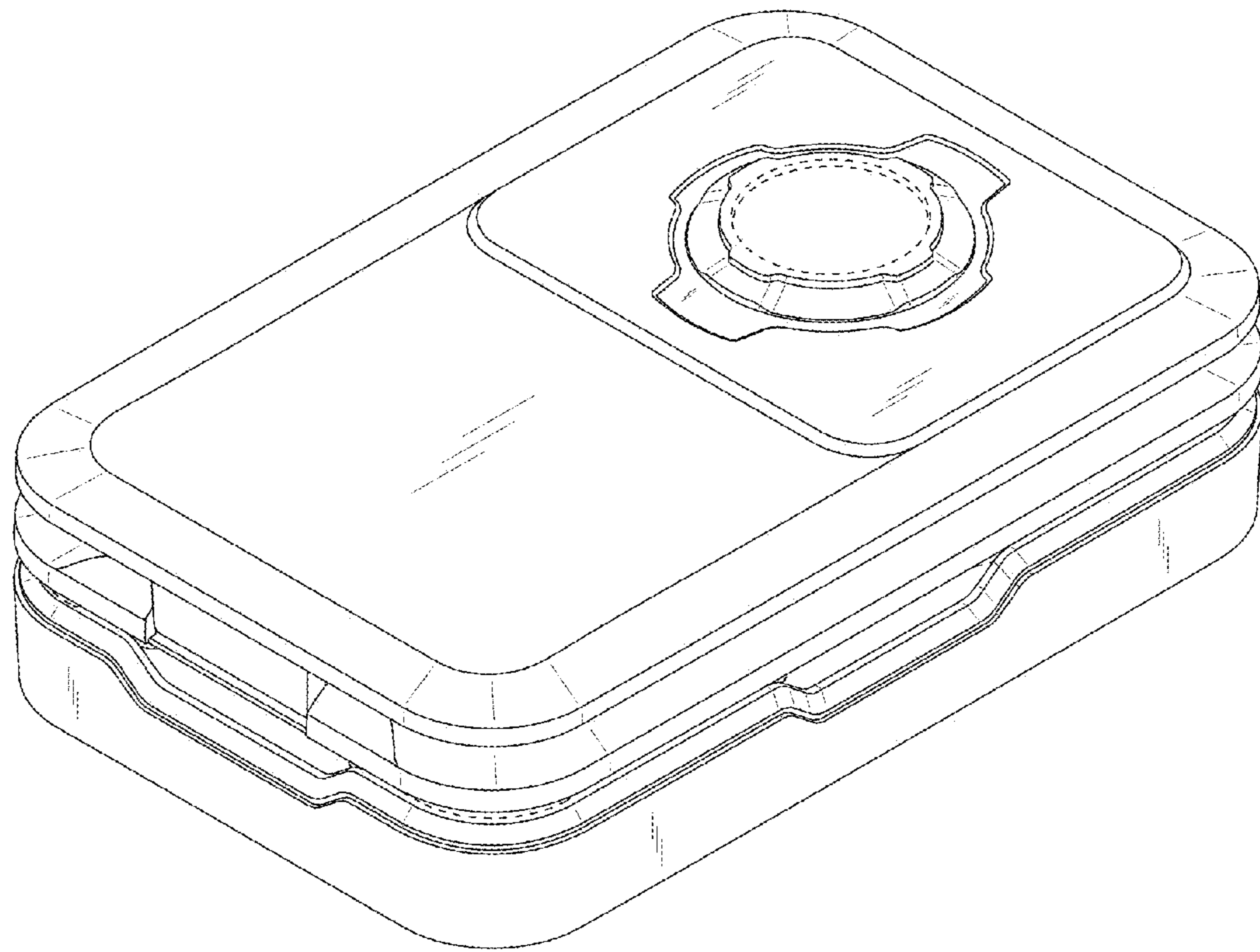


FIG. 1

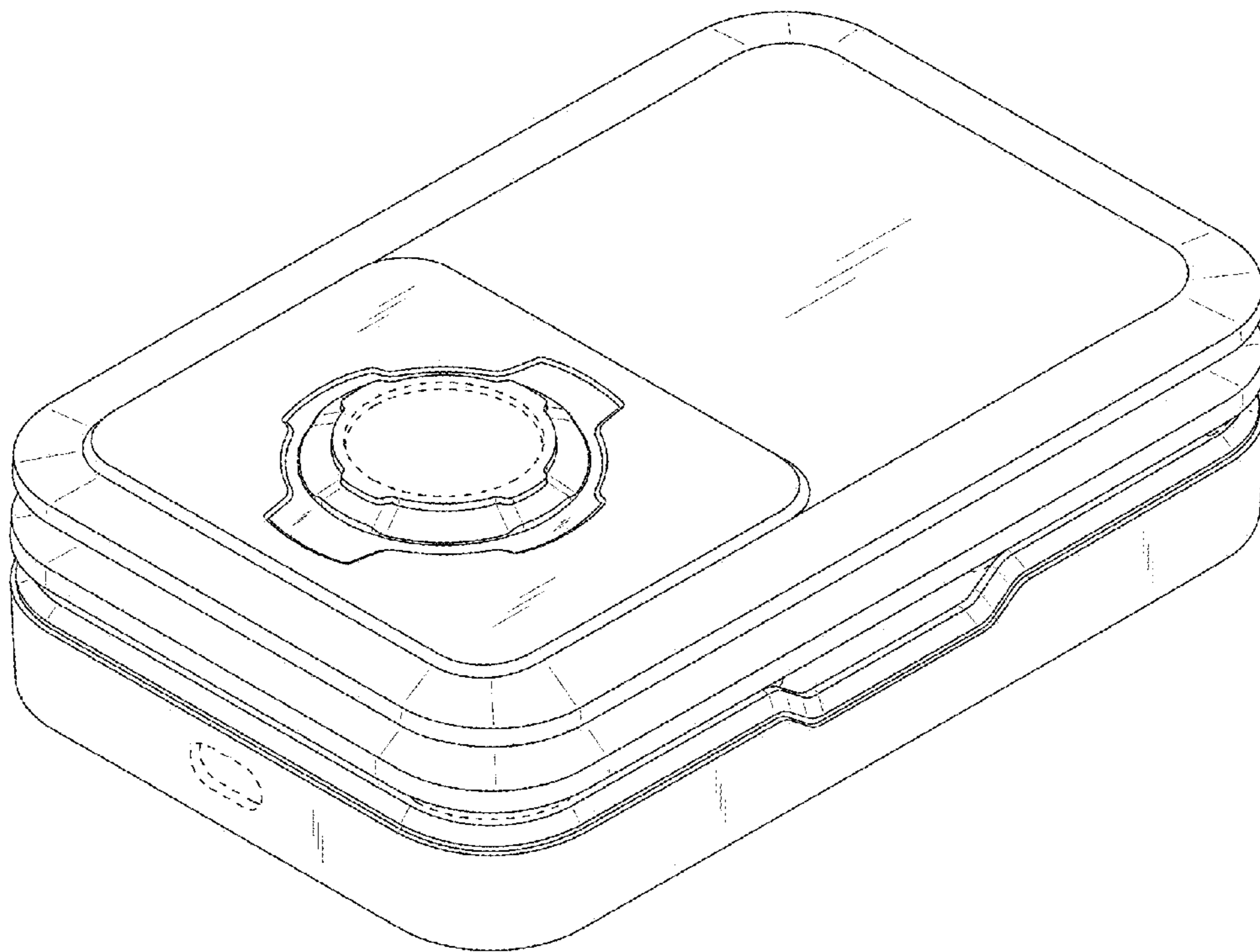


FIG. 2

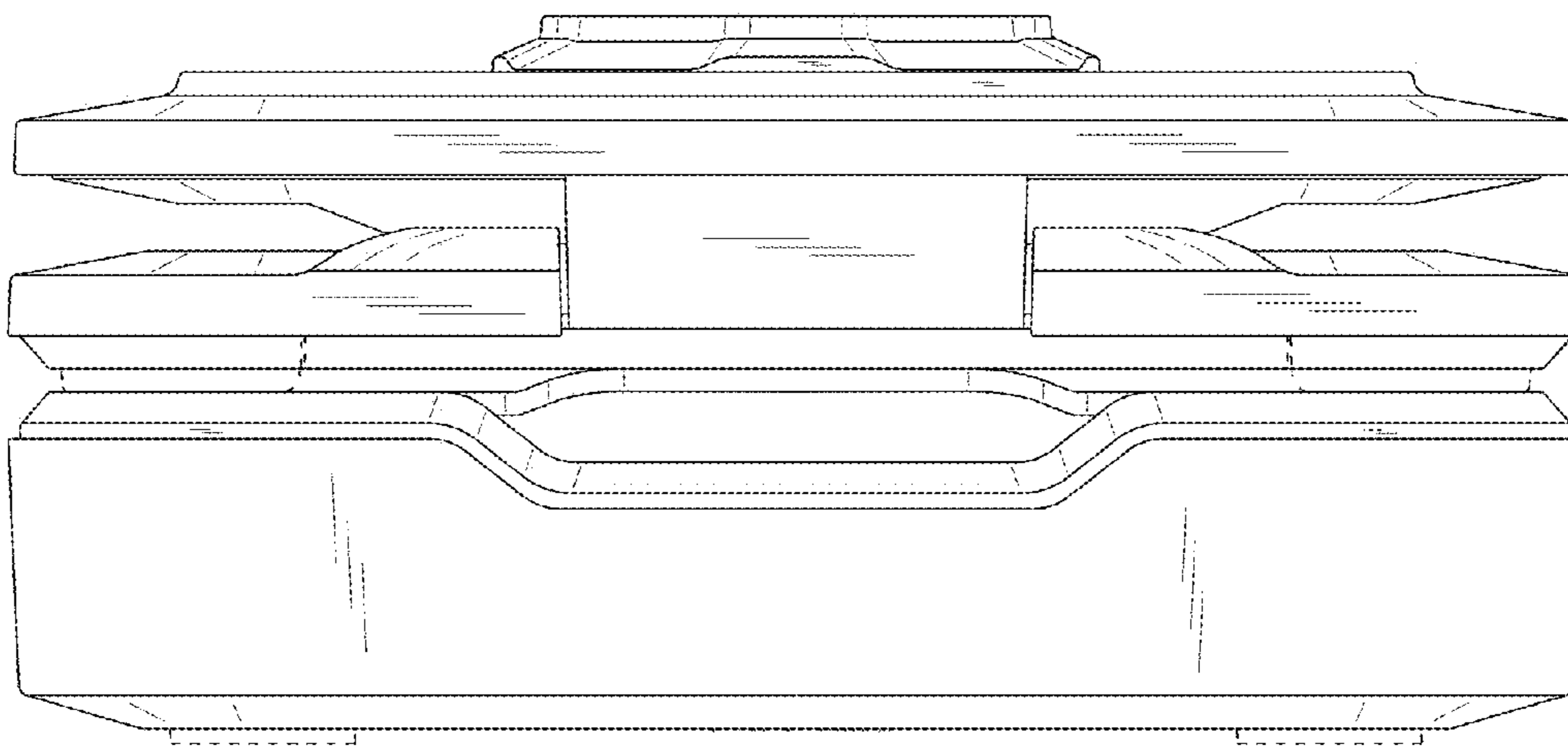


FIG. 3

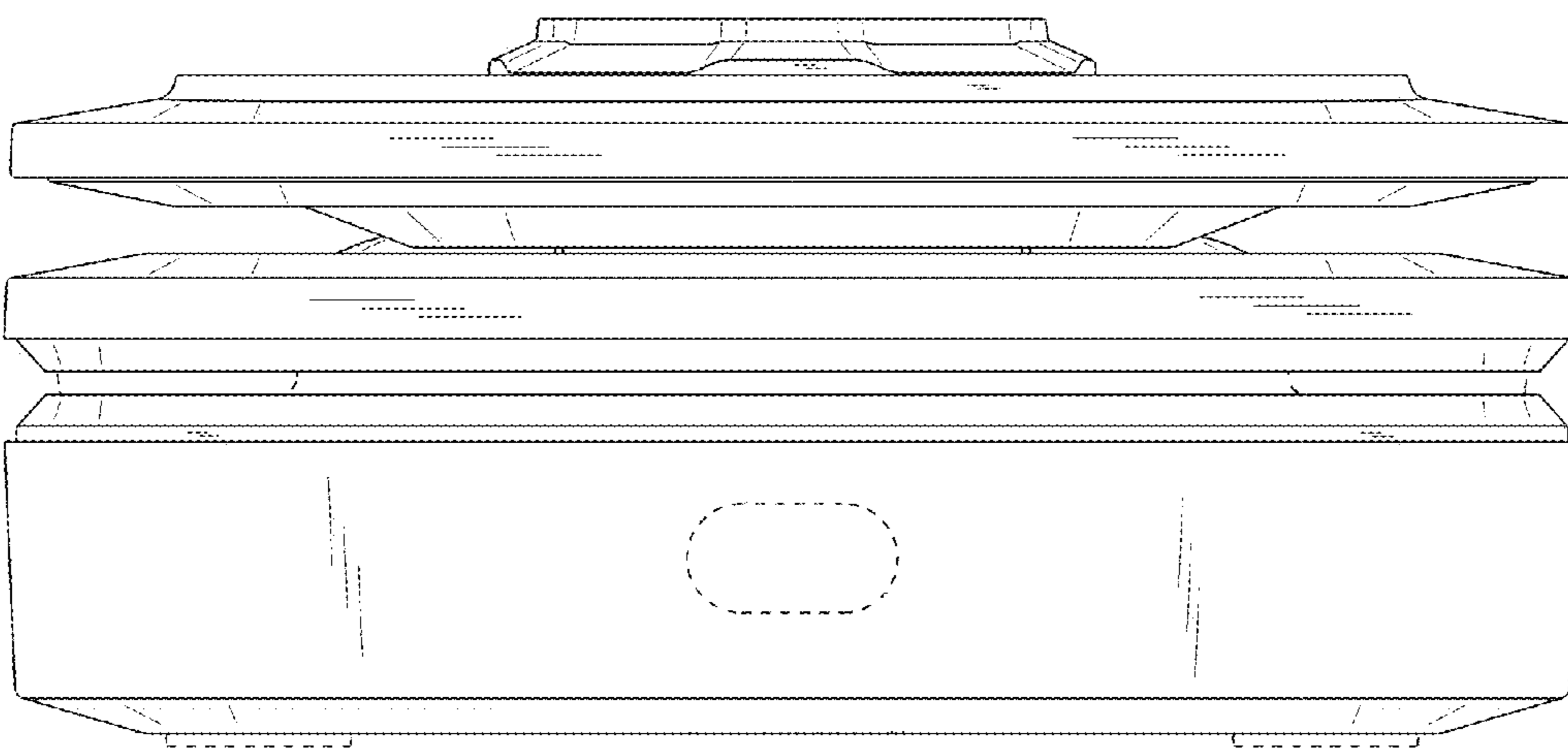


FIG. 4

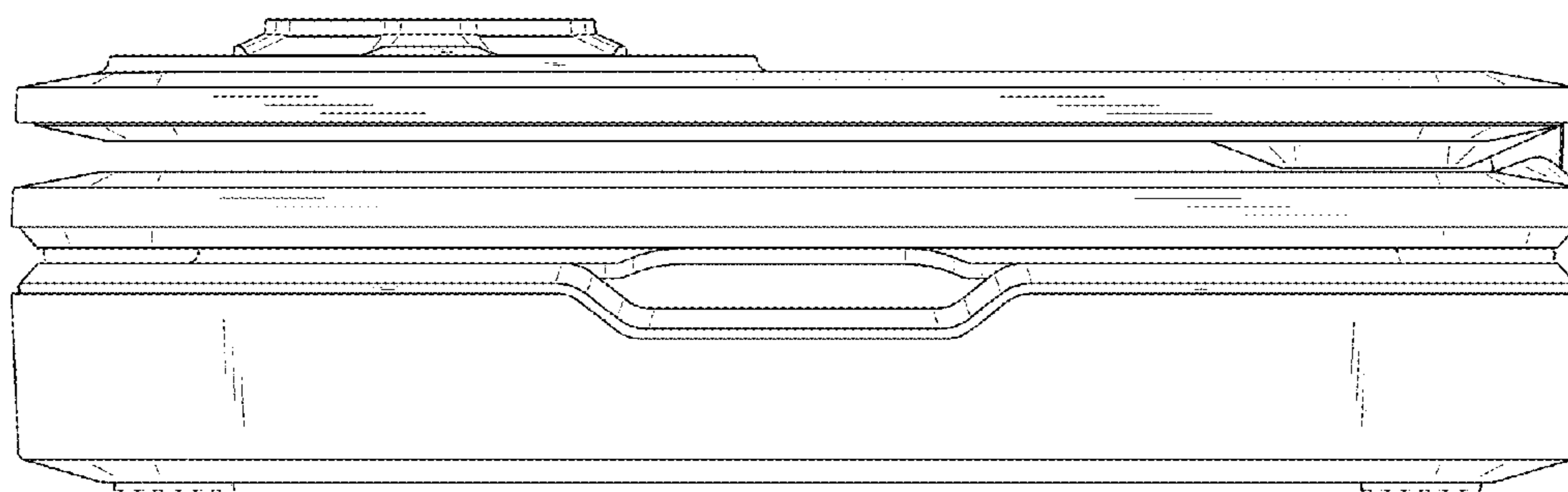


FIG. 5

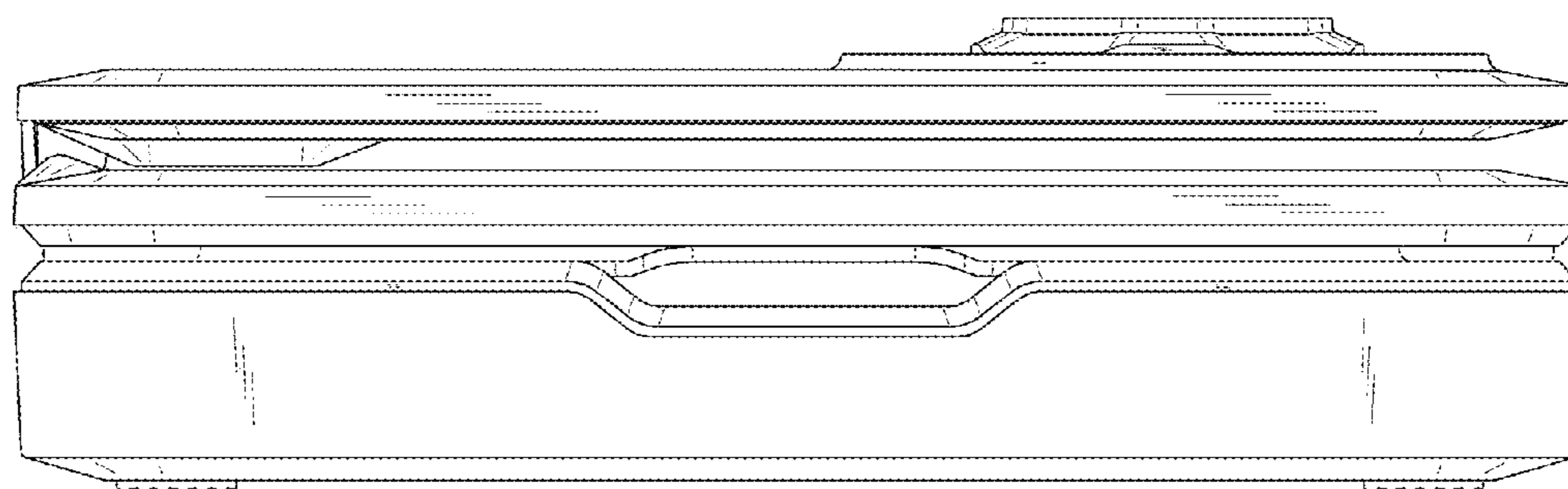


FIG. 6

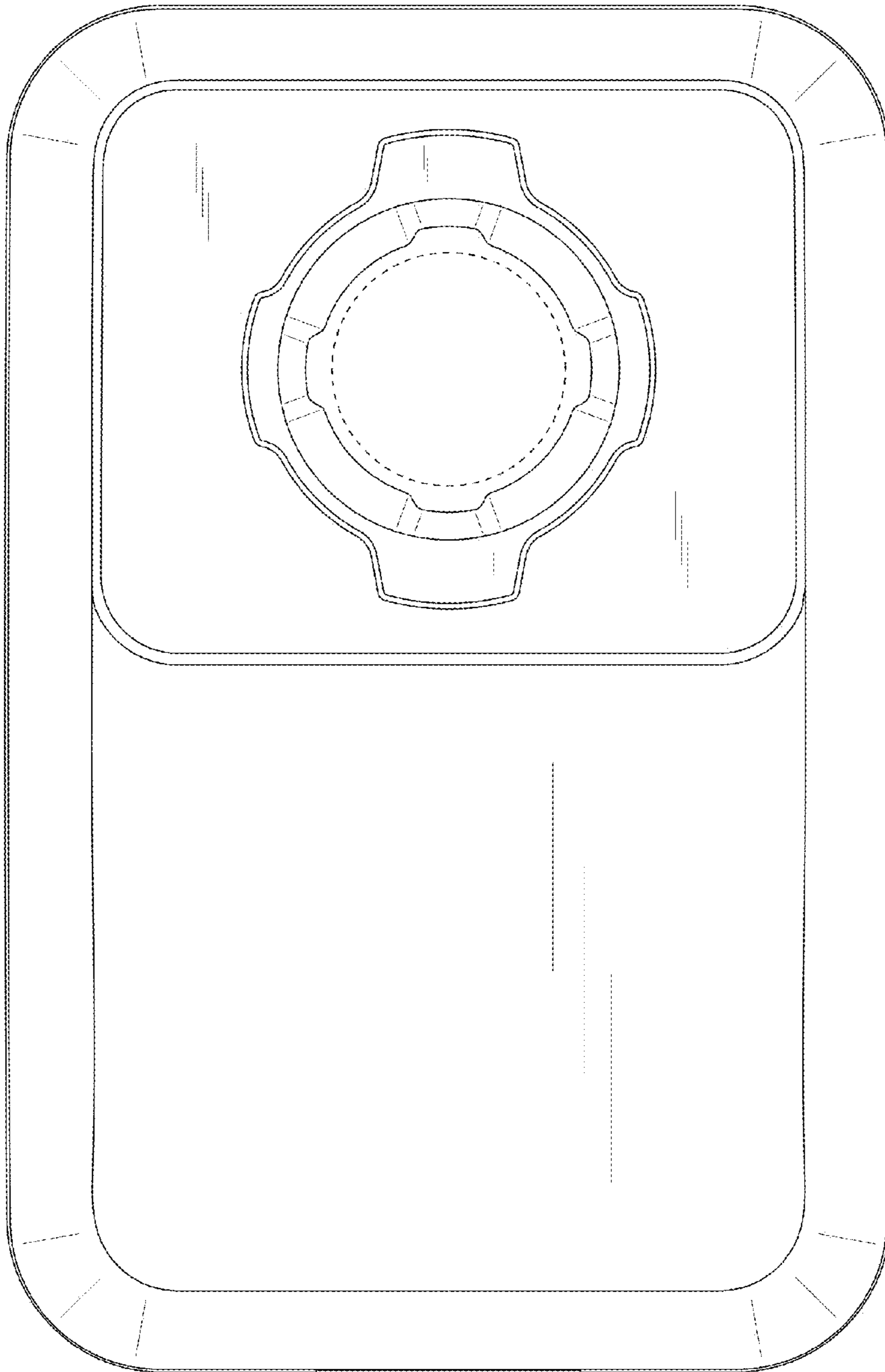


FIG. 7

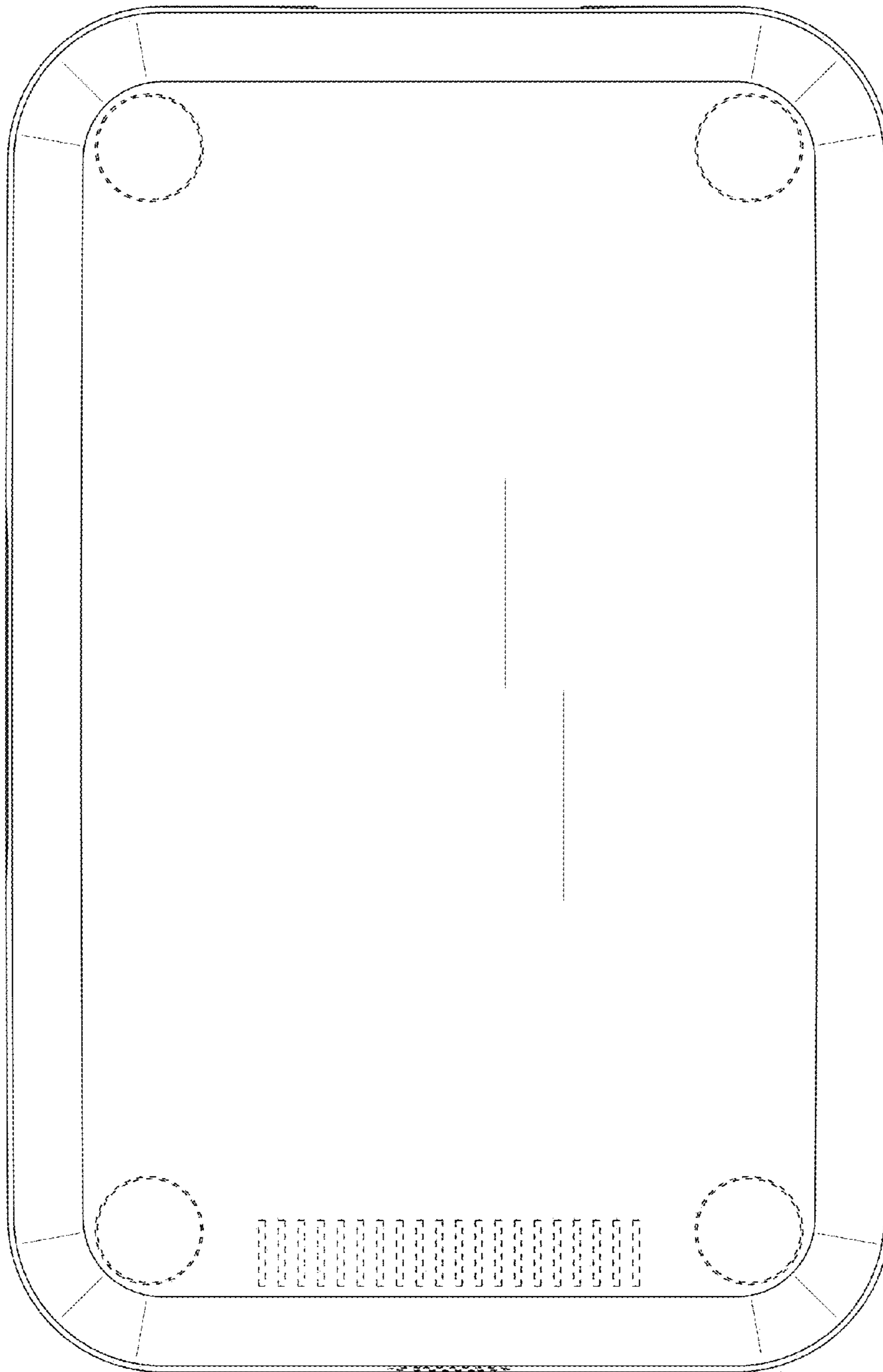


FIG. 8

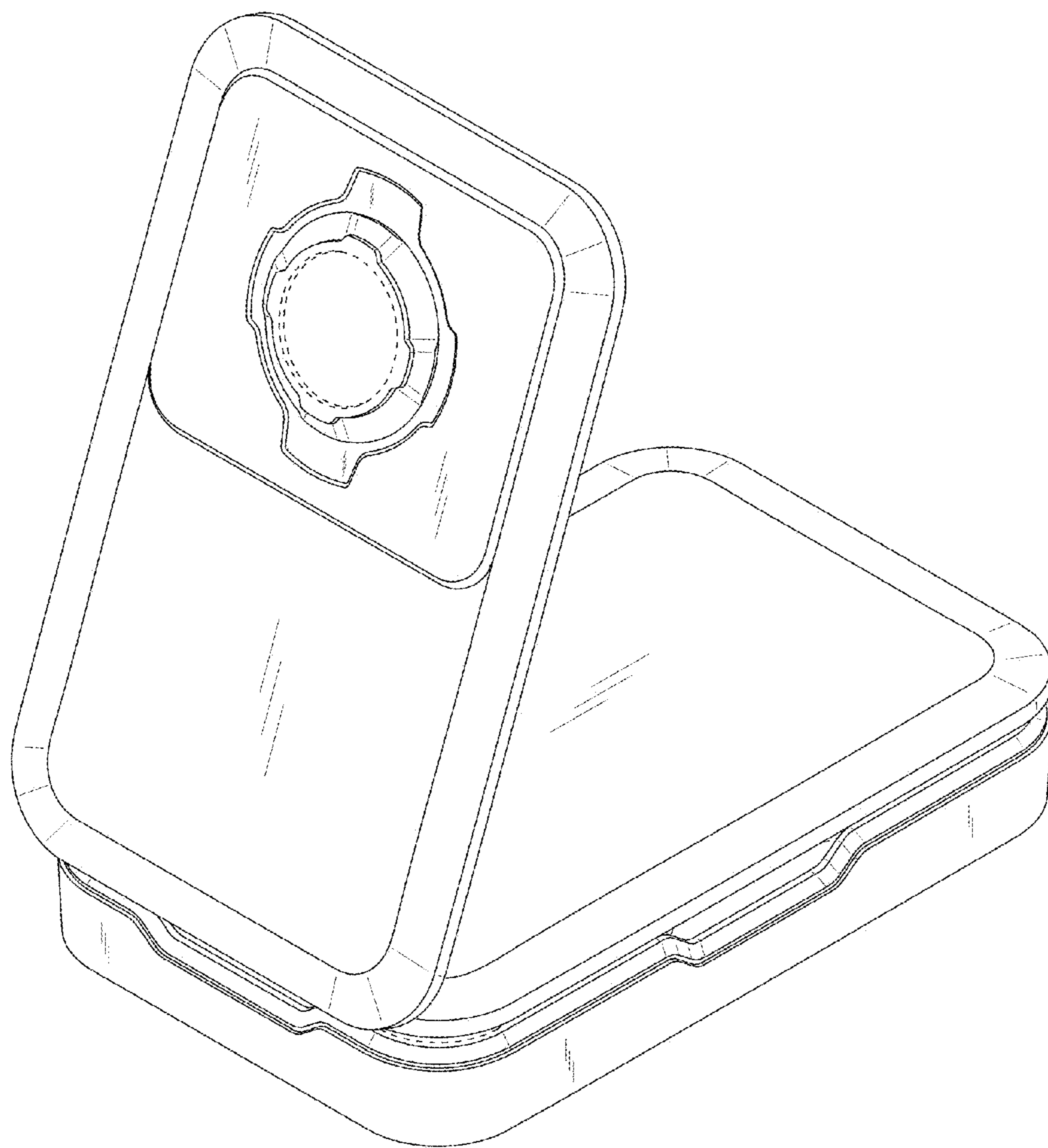


FIG. 9

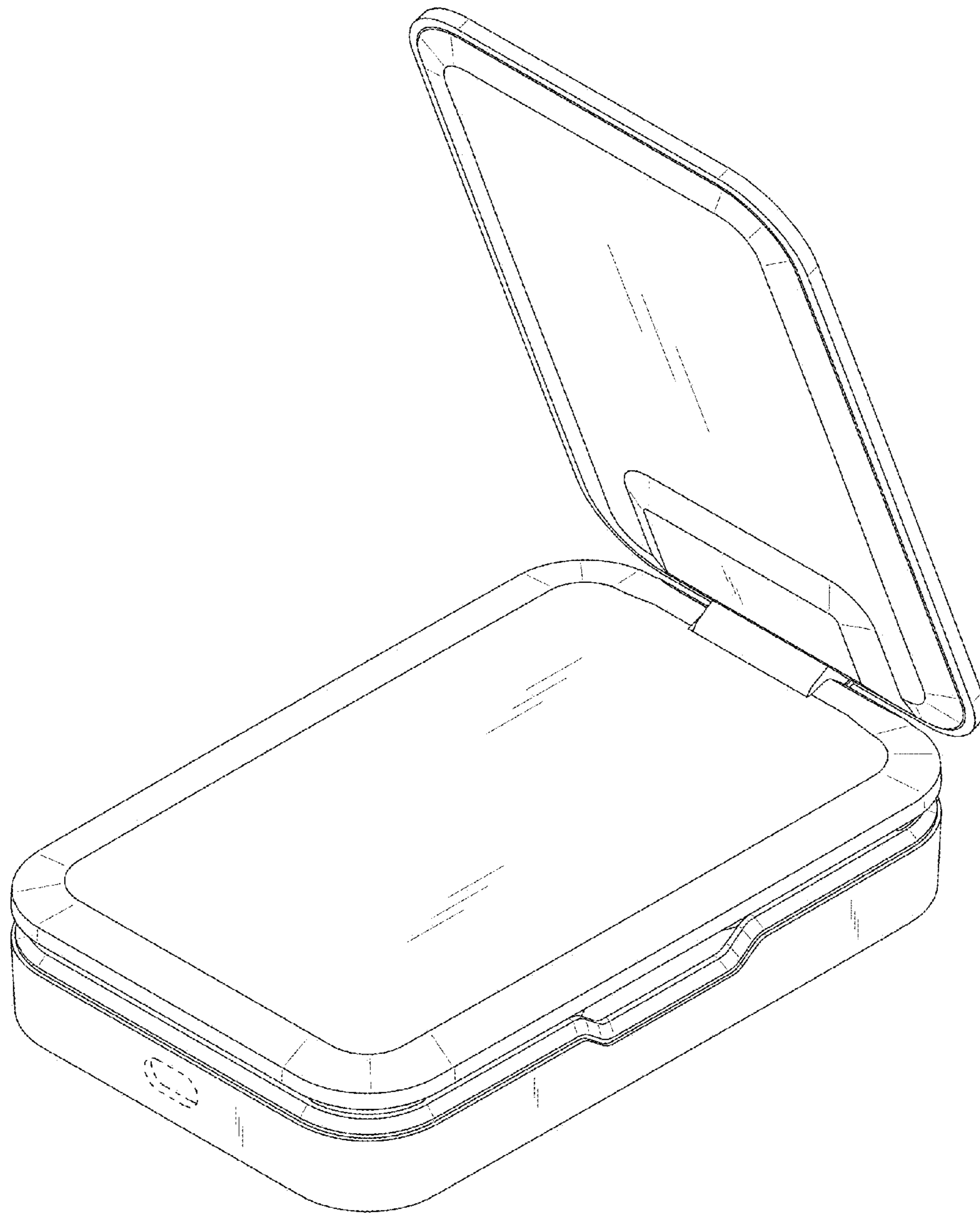


FIG. 10