



US00D722602S

(12) **United States Design Patent**  
**Schoenith et al.**

(10) **Patent No.:** **US D722,602 S**  
(45) **Date of Patent:** **\*\* Feb. 17, 2015**

- (54) **TABLET DEVICE CASE**
- (71) Applicant: **Clamcase, LLC**, Troy, MI (US)
- (72) Inventors: **John M. Schoenith**, Hollywood, CA (US); **Anthony Ahee**, Grosse Pointe Shores, MI (US)
- (73) Assignee: **Clamcase, LLC**, Hollywood, CA (US)
- (\*\*) Term: **14 Years**
- (21) Appl. No.: **29/445,839**
- (22) Filed: **Feb. 18, 2013**
- (51) **LOC (10) Cl.** ..... **14-02**
- (52) **U.S. Cl.**  
USPC ..... **D14/440**
- (58) **Field of Classification Search**  
USPC ..... D14/250, 251, 253, 240, 217, 496, 440,  
D14/203.3, 203.4, 203.5, 203.8, 341, 318;  
D3/218, 215, 201, 294, 289, 900;  
220/4.02; 248/309.1; 361/679.56;  
379/426, 433.11, 455; 455/575.1,  
455/575.8; 190/100; 206/305, 320;  
D21/469  
See application file for complete search history.

8,139,357	B2 *	3/2012	Trang .....	361/679.59
D659,139	S *	5/2012	Gengler .....	D14/392
8,201,687	B2 *	6/2012	Zeliff et al. ....	206/320
8,230,992	B2 *	7/2012	Law et al. ....	206/320
8,253,595	B2 *	8/2012	Yang et al. ....	341/20
2001/0009500	A1 *	7/2001	Selker .....	361/683
2001/0040559	A1	11/2001	Bullister	
2002/0159226	A1	10/2002	Huang et al.	
2003/0112590	A1	6/2003	Shimano et al.	
2005/0168925	A1	8/2005	Fang et al.	
2006/0044288	A1	3/2006	Nakamura et al.	
2007/0097087	A1	5/2007	Homer et al.	
2008/0225471	A1	9/2008	Takizawa	
2009/0017883	A1 *	1/2009	Lin .....	455/575.8

(Continued)

**OTHER PUBLICATIONS**

International Search Report dated Dec. 20, 2011 (PCT Application No. PCT/US2011/034405).

(Continued)

*Primary Examiner* — Cynthia Underwood  
(74) *Attorney, Agent, or Firm* — The Dobrusin Law Firm, PC

(57) **CLAIM**  
The ornamental design for a tablet device case, as shown and described.

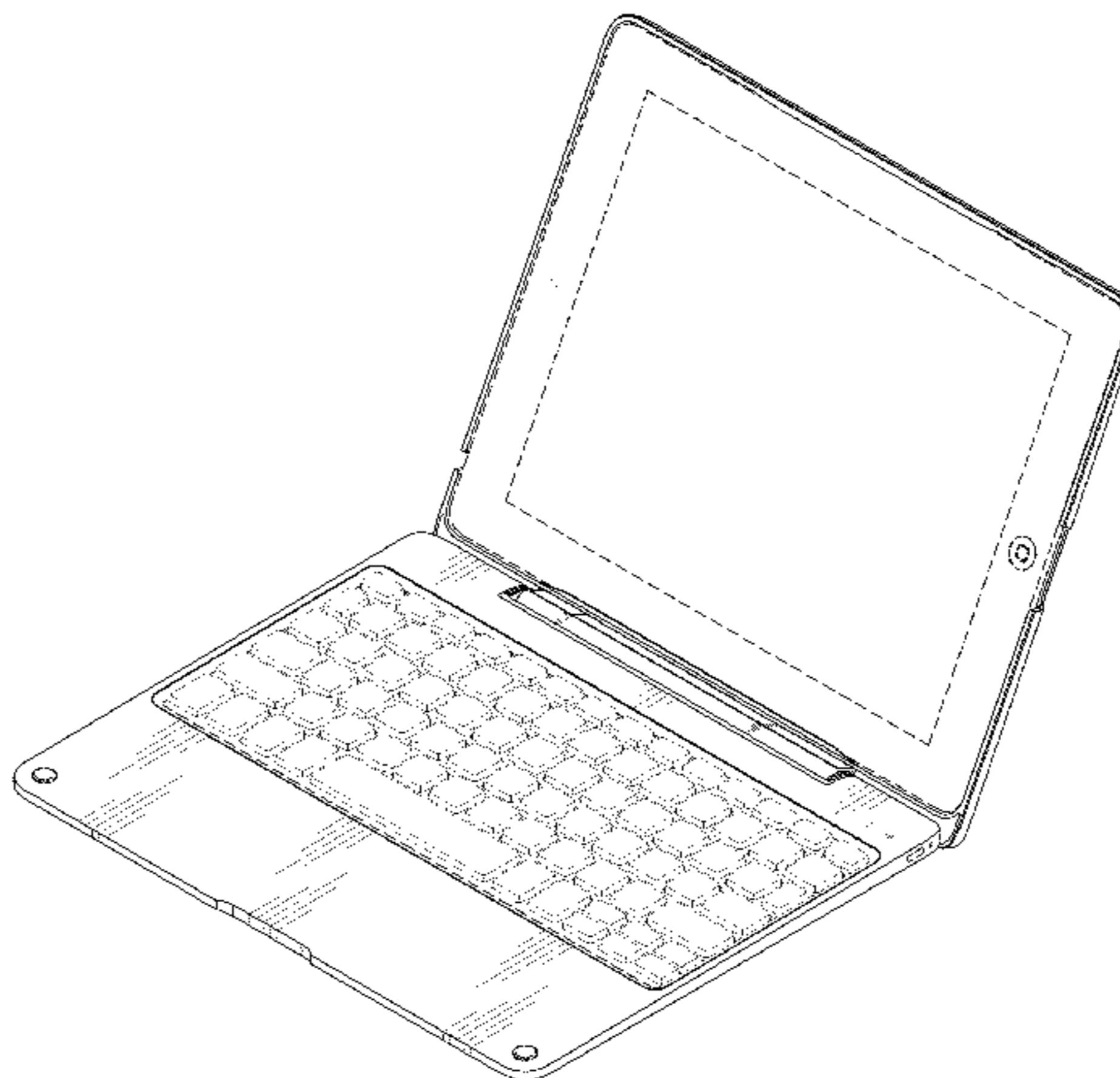
(56) **References Cited**  
U.S. PATENT DOCUMENTS

676,449	A	6/1901	Schwarz	
4,259,568	A *	3/1981	Dynesen .....	235/1 D
5,375,076	A *	12/1994	Goodrich et al. ....	361/679.17
5,383,138	A *	1/1995	Motoyama et al. ....	361/679.27
5,594,619	A	1/1997	Miyagawa et al.	
5,737,183	A	4/1998	Kobayashi et al.	
5,847,698	A *	12/1998	Reavey et al. ....	345/173
7,042,712	B2 *	5/2006	Ghosh et al. ....	361/679.03
7,318,521	B2 *	1/2008	Lau .....	206/45.24
7,502,225	B2 *	3/2009	Solomon et al. ....	361/679.41
D611,045	S *	3/2010	Andre et al. ....	D14/327
D620,001	S *	7/2010	Reed et al. ....	D14/315
D637,596	S *	5/2011	Akana et al. ....	D14/341
D652,831	S *	1/2012	Lee et al. ....	D14/315

**DESCRIPTION**

FIG. 1 is a perspective view of the present invention.  
FIG. 2 is a front elevational view thereof.  
FIG. 3 is a rear elevational view thereof.  
FIG. 4 is a top-down view thereof.  
FIG. 5 is a bottom-up view of the opposing surface shown at FIG. 4.  
FIG. 6 is a right side profile view thereof; and,  
FIG. 7 is an opposing side profile view thereof.  
The broken lines showing environment in the drawings are for illustrative purposes only and form no part of the claimed design.

**1 Claim, 5 Drawing Sheets**



(56)

**References Cited**

U.S. PATENT DOCUMENTS

2010/0195279 A1 8/2010 Michael  
2010/0294909 A1\* 11/2010 Hauser et al. .... 248/456  
2011/0199727 A1 8/2011 Probst  
2011/0267757 A1 11/2011 Probst  
2012/0106059 A1 5/2012 Probst et al.  
2012/0106060 A1 5/2012 Probst  
2012/0106061 A1 5/2012 Probst

2012/0106062 A1 5/2012 Probst  
2012/0106078 A1 5/2012 Probst  
2012/0194448 A1\* 8/2012 Rothkopf ..... 345/173

OTHER PUBLICATIONS

International Search Report & Written Opinion dated Dec. 13, 2011  
(PCT/US2011/035310).

\* cited by examiner

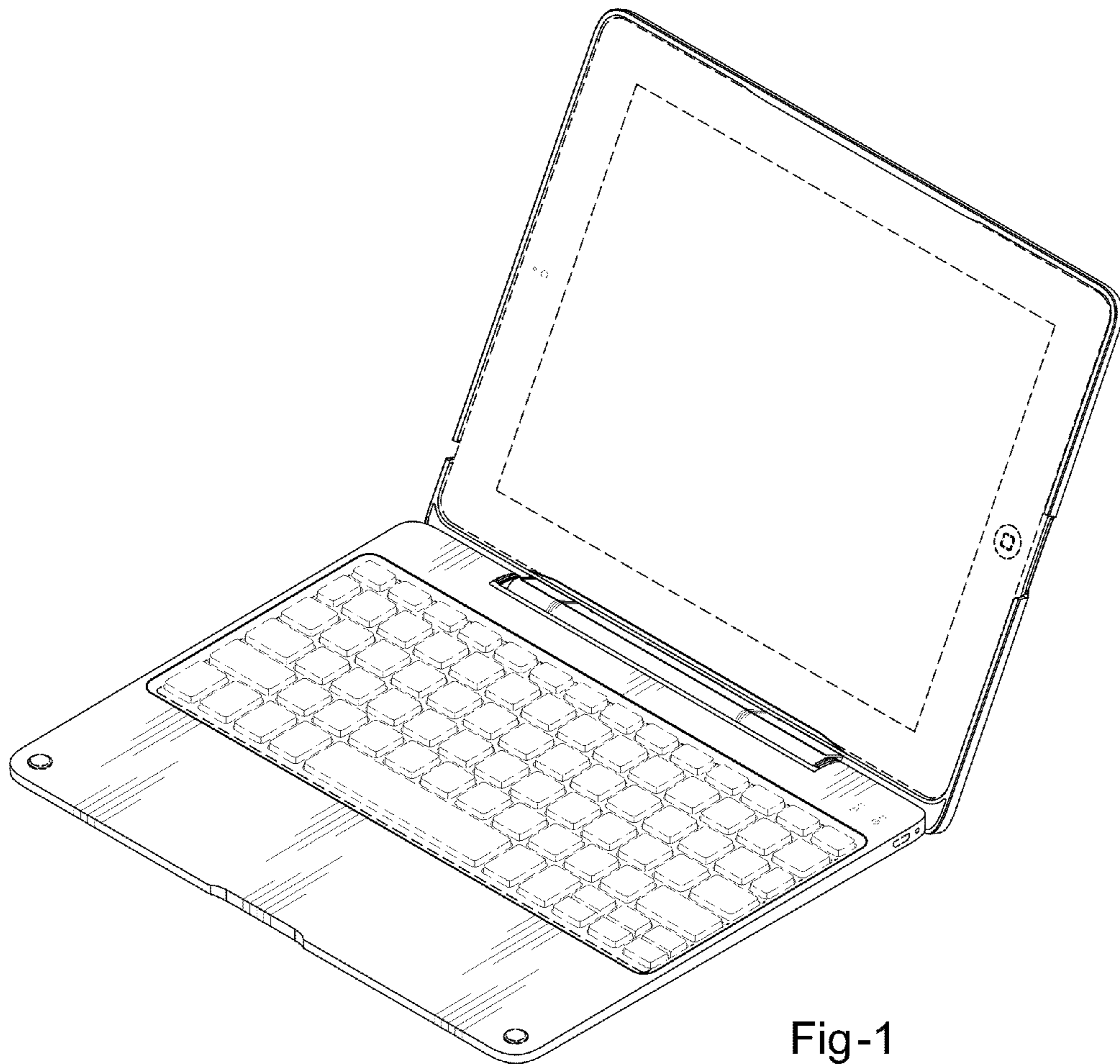


Fig-1

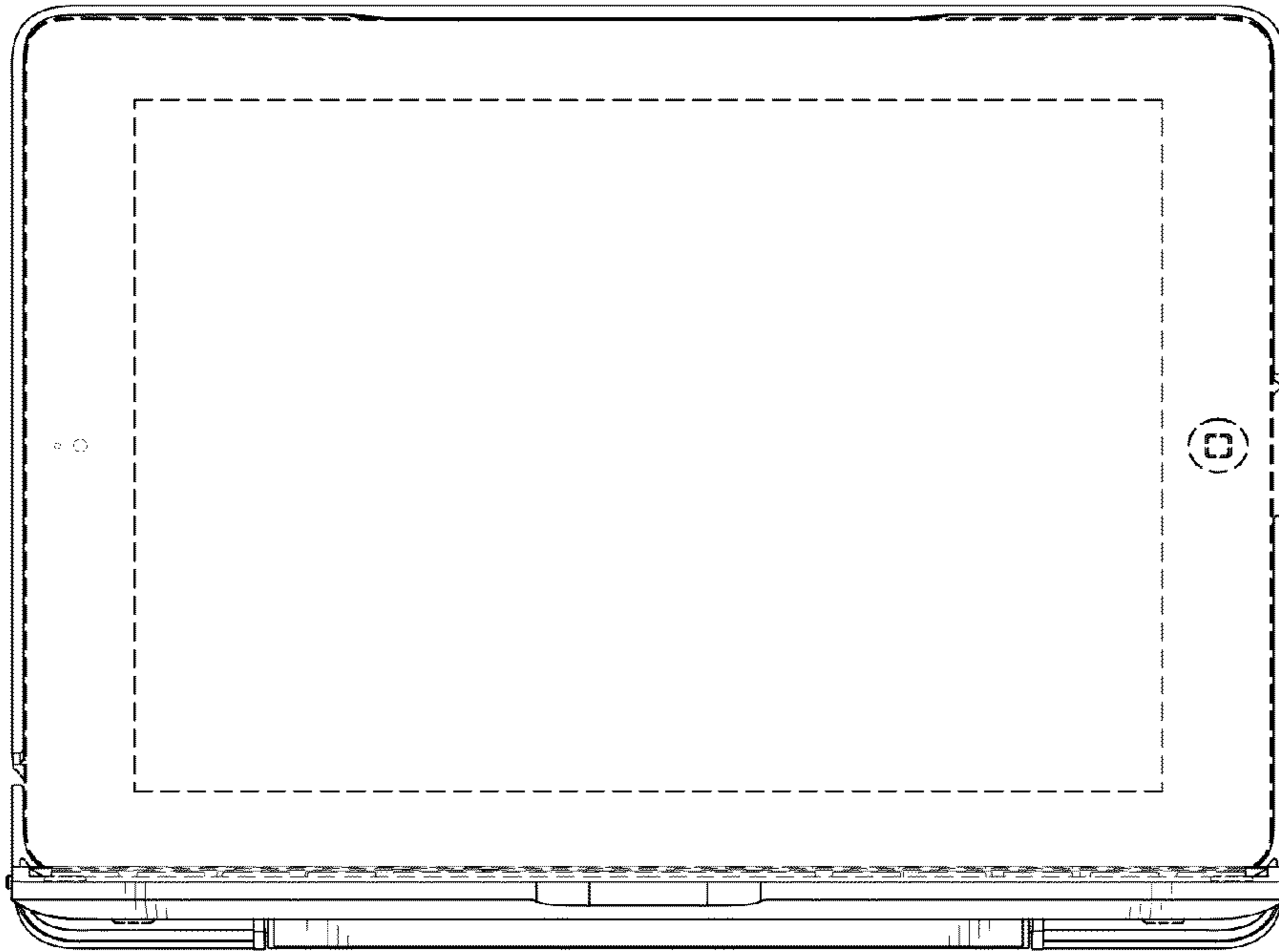


Fig-2

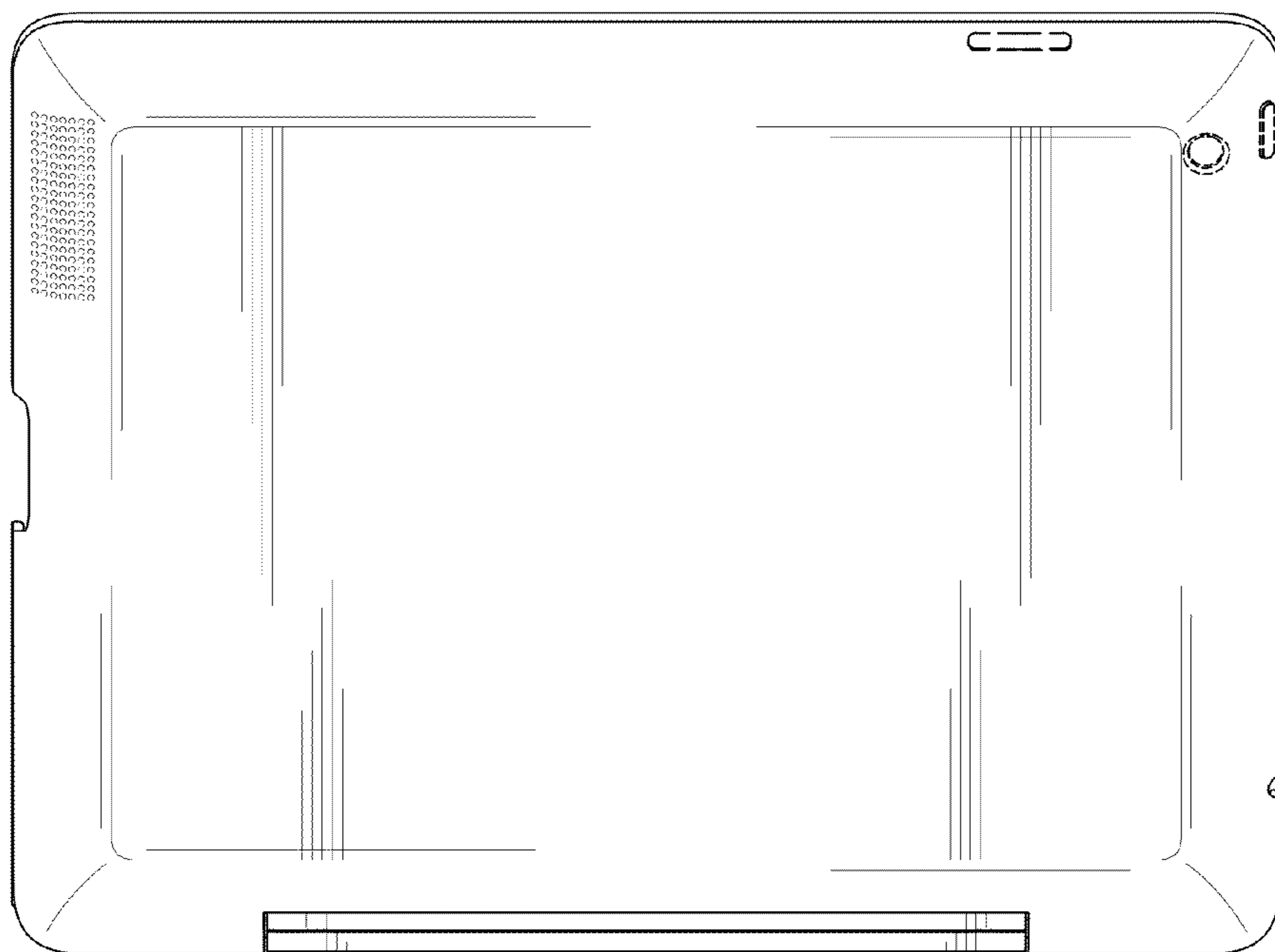


Fig-3



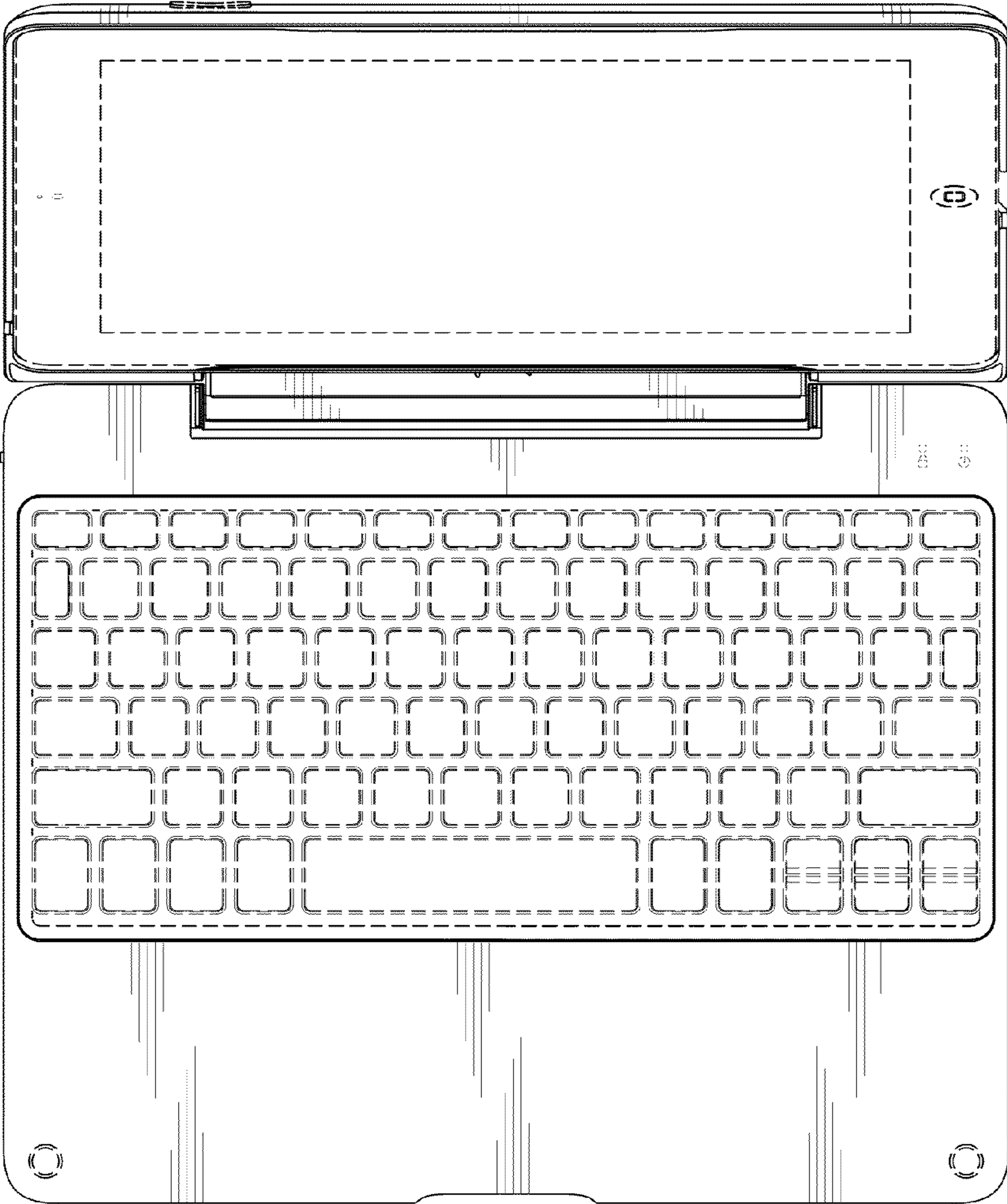


Fig-4

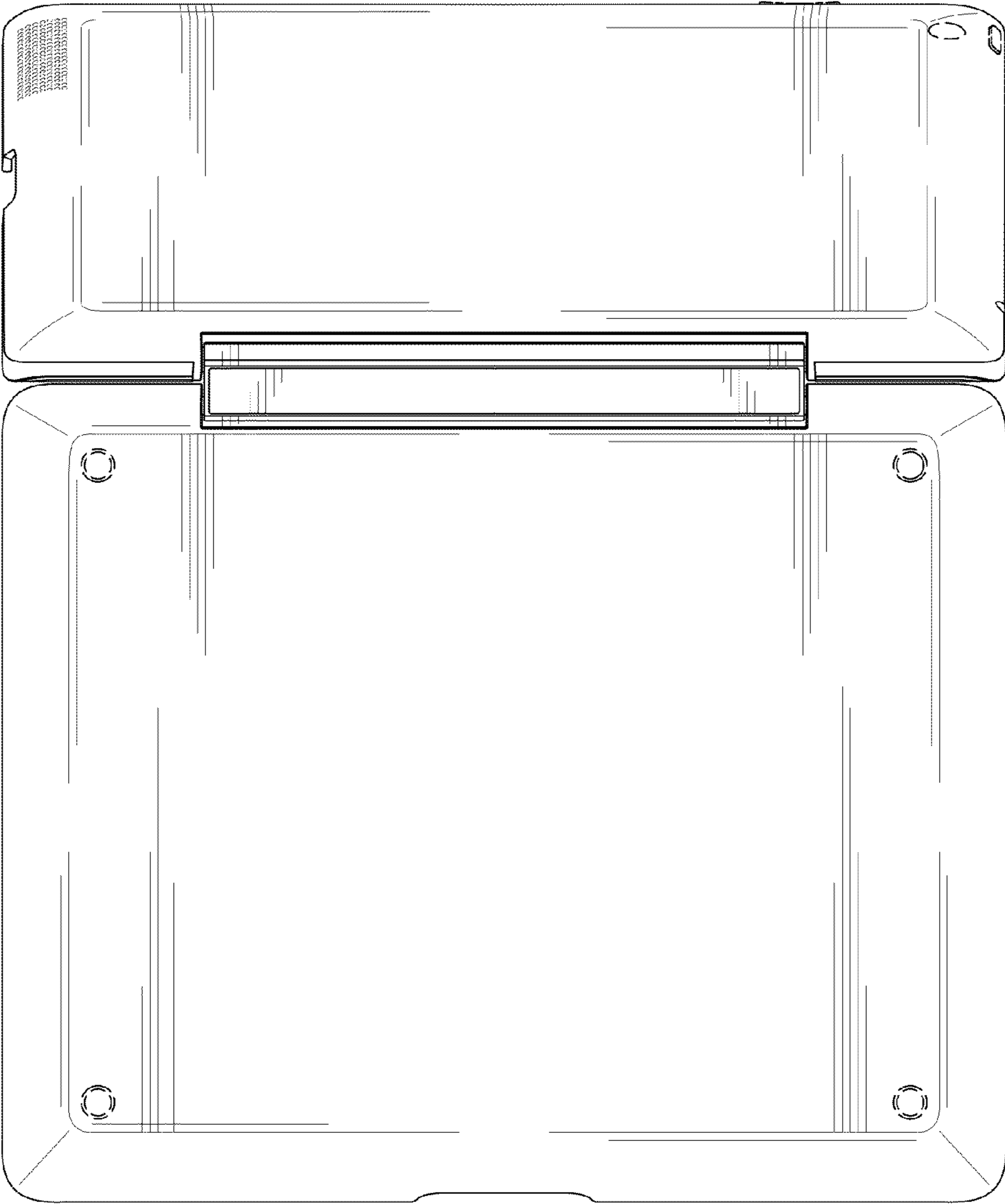


Fig-5

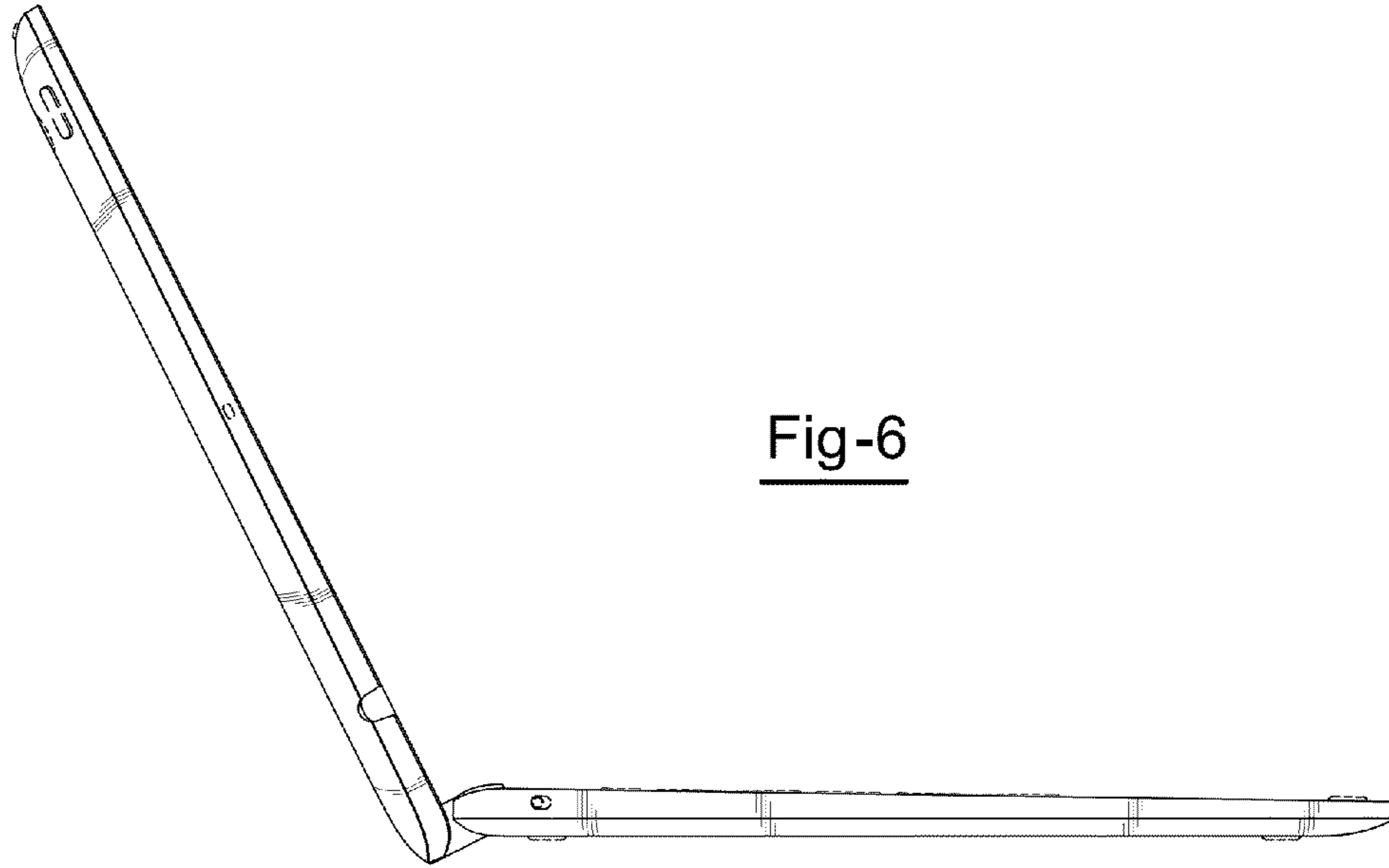


Fig-6

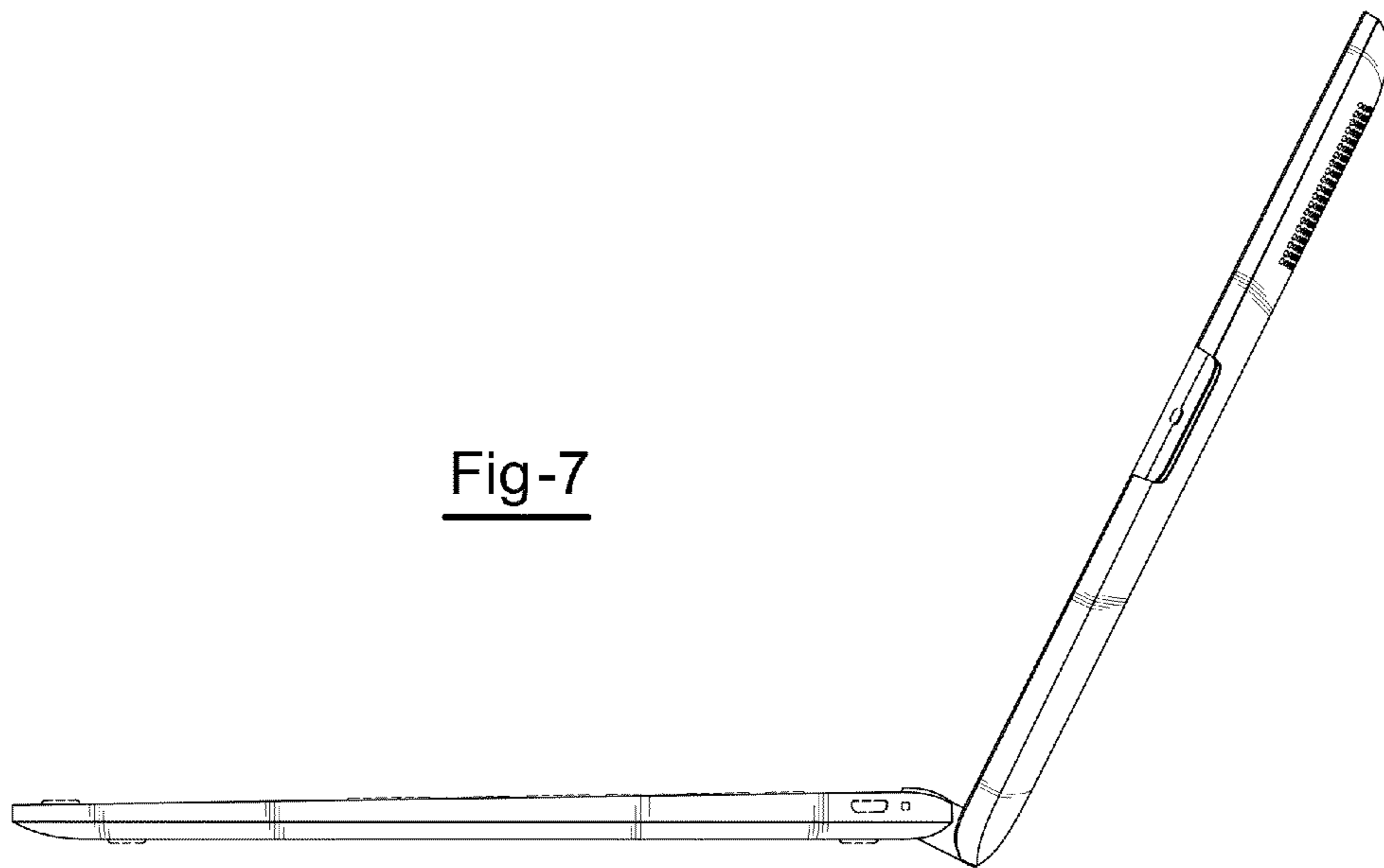


Fig-7