

US00D722601S

(12) **United States Design Patent**
Yang

(10) **Patent No.:** **US D722,601 S**

(45) **Date of Patent:** **** Feb. 17, 2015**

(54) **DETACHABLE ASSEMBLY OF MEMORY MODULE**

(71) Applicant: **Adata Technology Co., Ltd.**, New Taipei (TW)

(72) Inventor: **Yujen Yang**, Taipei (TW)

(73) Assignee: **Adata Technology Co., Ltd.**, New Taipei (TW)

(**) Term: **14 Years**

(21) Appl. No.: **29/451,315**

(22) Filed: **Mar. 29, 2013**

(30) **Foreign Application Priority Data**

Jan. 30, 2013 (TW) 102300810

(51) **LOC (10) Cl.** **14-02**

(52) **U.S. Cl.**
USPC **D14/436**; D14/438

(58) **Field of Classification Search**
USPC D14/435–438, 478–480; 235/441, 443, 235/487, 492, 493, 495; 361/679.32, 737, 361/679, 752, 736, 728, 796, 797, 729, 730, 361/725–727; 257/678, 679, 693, E23.064; 439/946, 948, 159; 174/250, 260, 52.1, 174/52.2; 710/300–303; 438/121
See application file for complete search history.

(56) **References Cited**

U.S. PATENT DOCUMENTS

5,109,318	A *	4/1992	Funari et al.	361/710
5,310,376	A *	5/1994	Mayuzumi et al.	446/107
D398,004	S *	9/1998	Klinker	D14/436
D399,502	S *	10/1998	Klinker	D14/436
D405,440	S *	2/1999	Klinker	D14/436
D405,778	S *	2/1999	Klinker	D14/436
D409,178	S *	5/1999	Klinker	D14/436
D415,132	S *	10/1999	Homma et al.	D14/436

5,995,405	A *	11/1999	Trick	365/63
6,154,834	A *	11/2000	Neal et al.	712/248
6,233,150	B1 *	5/2001	Lin et al.	361/704
6,491,563	B1 *	12/2002	Bailey	446/122
6,535,387	B2 *	3/2003	Summers et al.	361/704
6,765,797	B2 *	7/2004	Summers et al.	361/704
6,922,338	B2 *	7/2005	Poehmueller	361/719
7,221,569	B2 *	5/2007	Tsai	361/704
7,345,892	B2 *	3/2008	Imazato et al.	361/818
7,349,219	B2 *	3/2008	Lai et al.	361/719
7,349,220	B2 *	3/2008	Lai et al.	361/719
7,382,617	B2 *	6/2008	Yu et al.	361/704
7,391,613	B2 *	6/2008	Lai et al.	361/700
7,400,506	B2 *	7/2008	Hoss et al.	361/715
7,606,035	B2 *	10/2009	Park et al.	361/715
7,684,196	B2 *	3/2010	Eckberg et al.	361/707
7,688,592	B2 *	3/2010	Gruendler et al.	361/719
7,768,789	B2 *	8/2010	Ni et al.	361/737
7,911,798	B2 *	3/2011	Chang et al.	361/719
7,948,763	B2 *	5/2011	Chuang	361/749

(Continued)

Primary Examiner — Susan Moon Lee

(74) *Attorney, Agent, or Firm* — Li & Cai Intellectual Property (USA) Office

(57) **CLAIM**

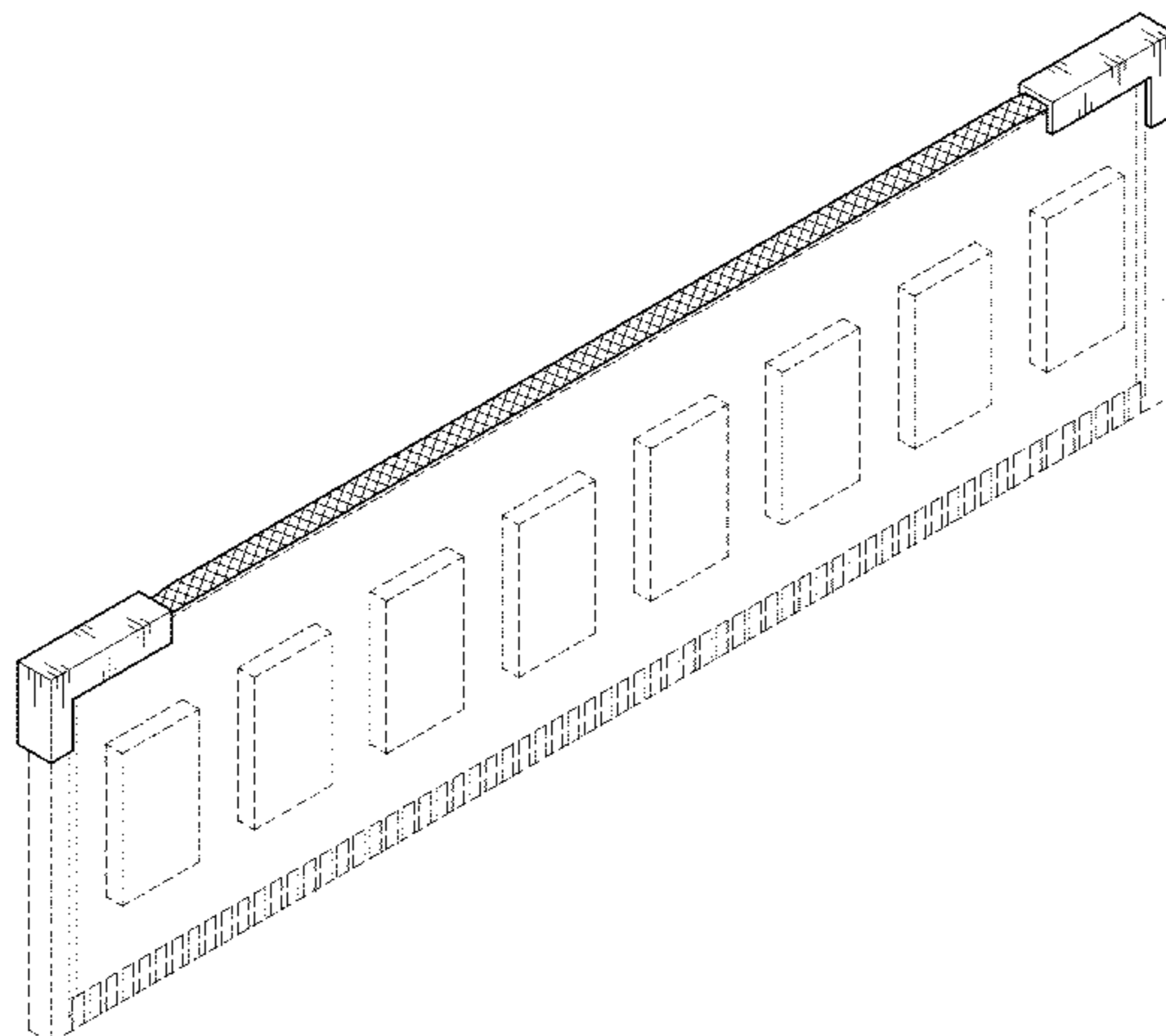
The ornamental design for a “detachable assembly of memory module,” as shown and described.

DESCRIPTION

FIG. 1 is a perspective view of a detachable assembly of memory module showing my new design; FIG. 2 is a front view thereof; FIG. 3 is a rear view thereof; FIG. 4 is a left side view thereof; FIG. 5 is a right side view thereof; FIG. 6 is a top view thereof; FIG. 7 is a bottom view thereof; and, FIG. 8 is a perspective view showing the practical usage thereof.

The broken lines depict portions of the detachable assembly of memory module which form no part of the claimed design.

1 Claim, 6 Drawing Sheets



(56)

References Cited

U.S. PATENT DOCUMENTS

7,957,134	B2 *	6/2011	Farnsworth et al.	361/679.54	2013/0135812	A1 *	5/2013	Barina et al.	361/679.32
8,004,841	B2 *	8/2011	Cipolla et al.	361/699	2013/0163174	A1 *	6/2013	He et al.	361/679.32
8,018,723	B1 *	9/2011	Yu et al.	361/715	2013/0183913	A1 *	7/2013	Tevell et al.	455/90.3
8,081,473	B2 *	12/2011	Cipolla et al.	361/719	2013/0223001	A1 *	8/2013	Ryu et al.	361/679.32
8,248,805	B2 *	8/2012	Brandon et al.	361/719	2013/0342987	A1 *	12/2013	Yang et al.	361/679.32
D673,505	S *	1/2013	Matoba et al.	D13/147	2014/0002981	A1 *	1/2014	Hoang	361/679.32
8,514,584	B2 *	8/2013	Liang et al.	361/785	2014/0063722	A1 *	3/2014	Herman et al.	361/679.32
8,705,239	B1 *	4/2014	Yu et al.	361/715	2014/0111931	A1 *	4/2014	Casserly et al.	361/679.32
2002/0102870	A1 *	8/2002	Burns et al.	439/69	2014/0133084	A1 *	5/2014	Lin	361/679.32
2003/0203663	A1 *	10/2003	Burns et al.	439/67	2014/0133085	A1 *	5/2014	Lin et al.	361/679.32
2007/0096181	A1 *	5/2007	Lien	257/296	2014/0139994	A1 *	5/2014	Shih et al.	361/679.32
2007/0178799	A1 *	8/2007	Rudell et al.	446/120	2014/0160662	A1 *	6/2014	Li et al.	361/679.32
2008/0062664	A1 *	3/2008	Chen et al.	361/760	2014/0160663	A1 *	6/2014	Zhou	361/679.32
2013/0021743	A1 *	1/2013	Hu et al.	361/679.32	2014/0160664	A1 *	6/2014	Yang	361/679.32
2013/0027870	A1 *	1/2013	Goldrian et al.	361/679.32	2014/0198446	A1 *	7/2014	Tang	361/679.32
2013/0100627	A1 *	4/2013	Cong et al.	361/785	2014/0198447	A1 *	7/2014	Tian	361/679.32
					2014/0211404	A1 *	7/2014	Yang	361/679.32
					2014/0211405	A1 *	7/2014	Yang	361/679.32
					2014/0211406	A1 *	7/2014	Liu et al.	361/679.32

* cited by examiner

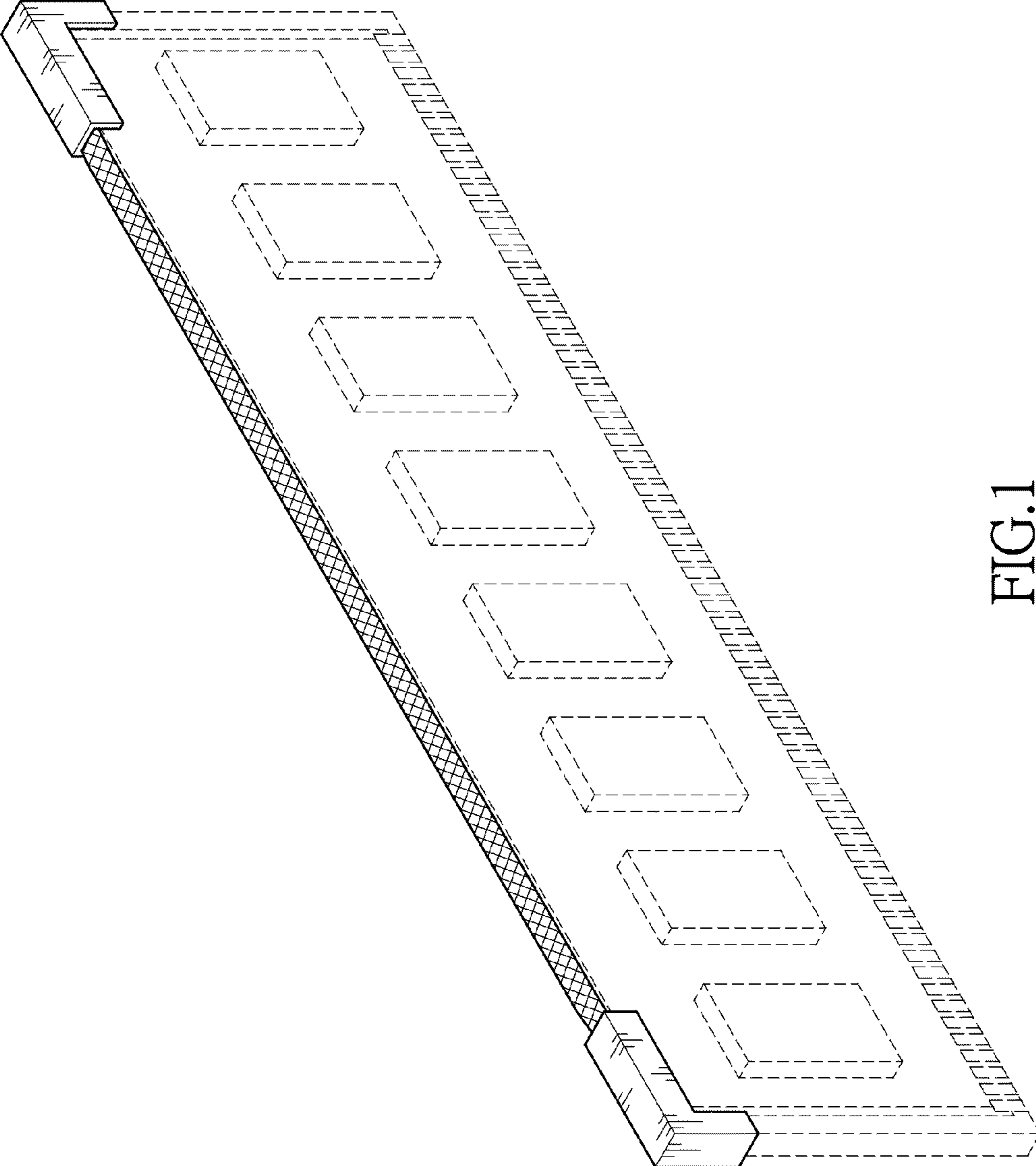


FIG.1

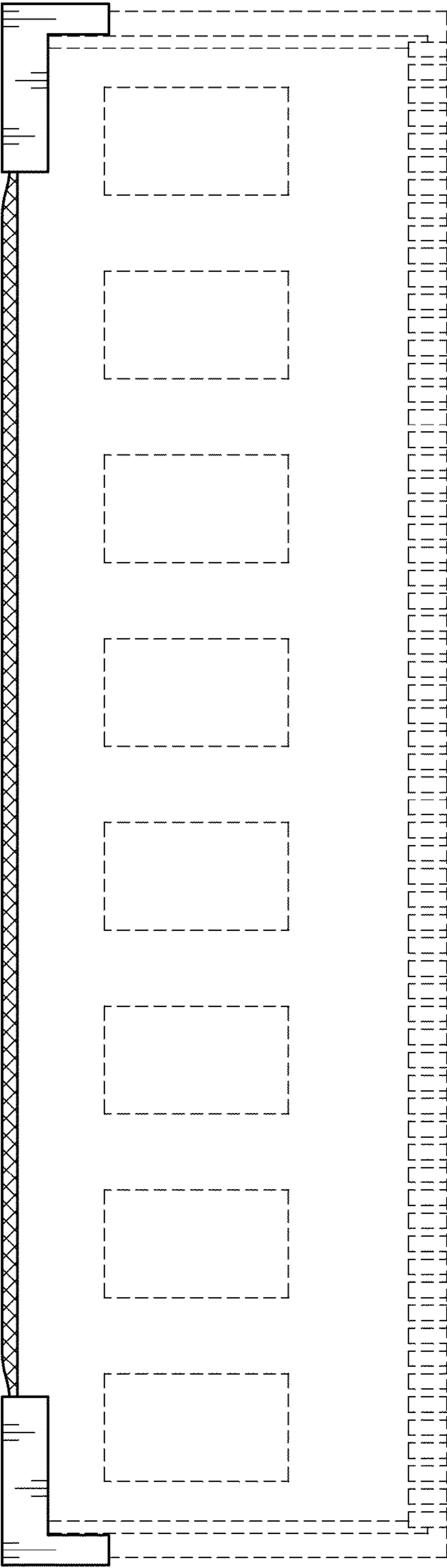


FIG.2

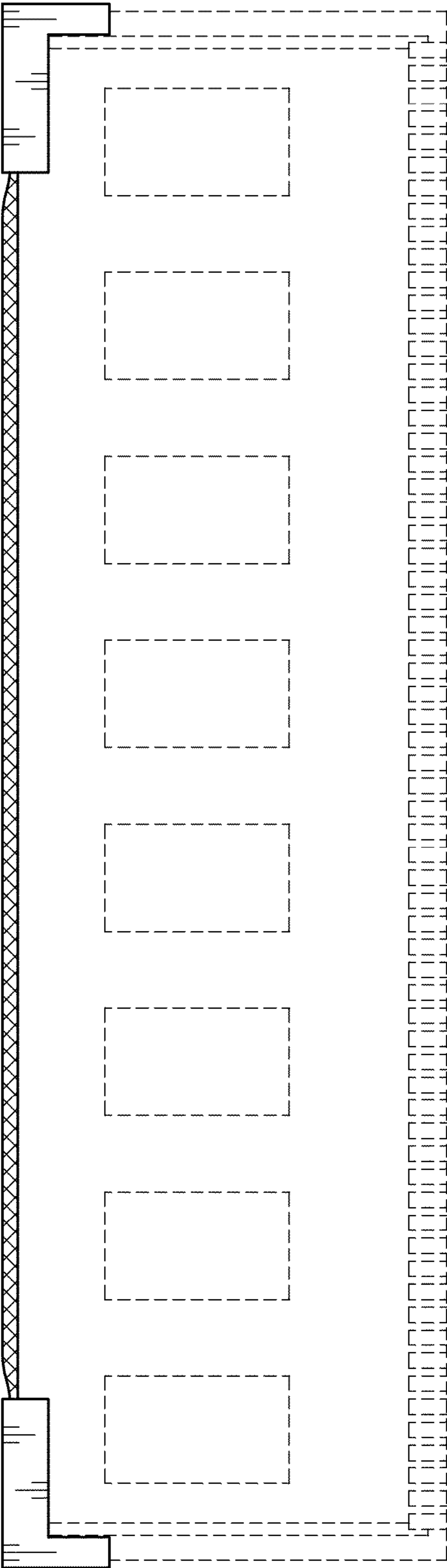


FIG.3

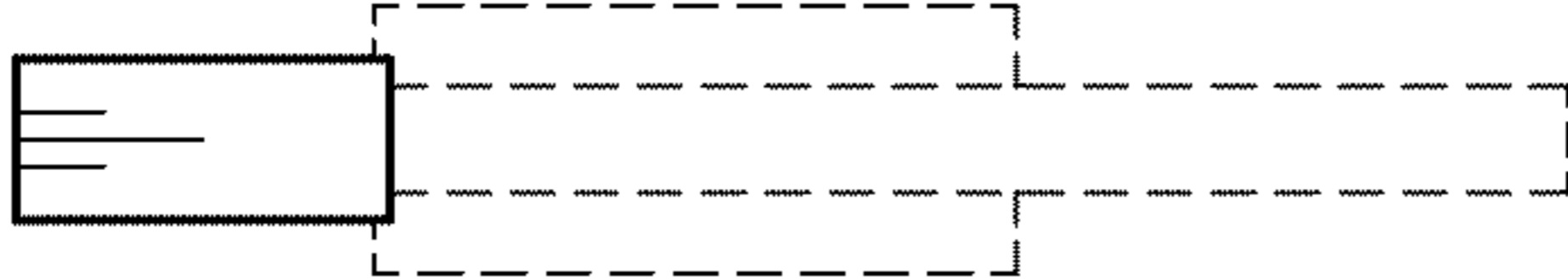


FIG.4

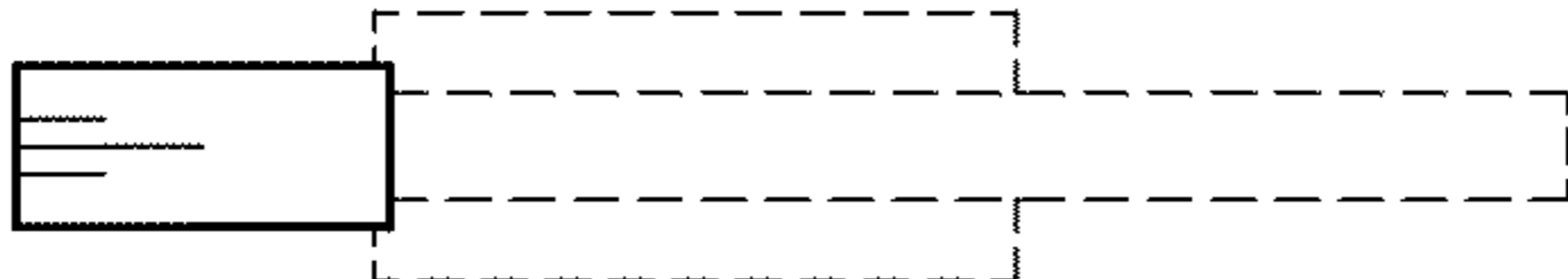


FIG.5

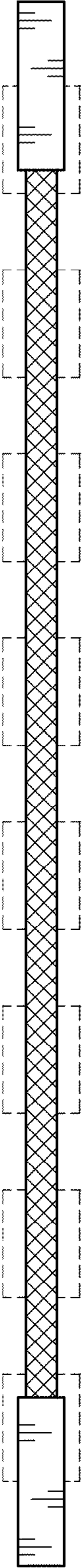


FIG. 6

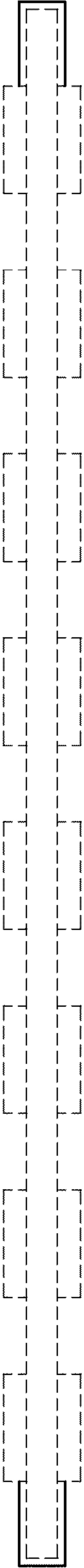


FIG. 7

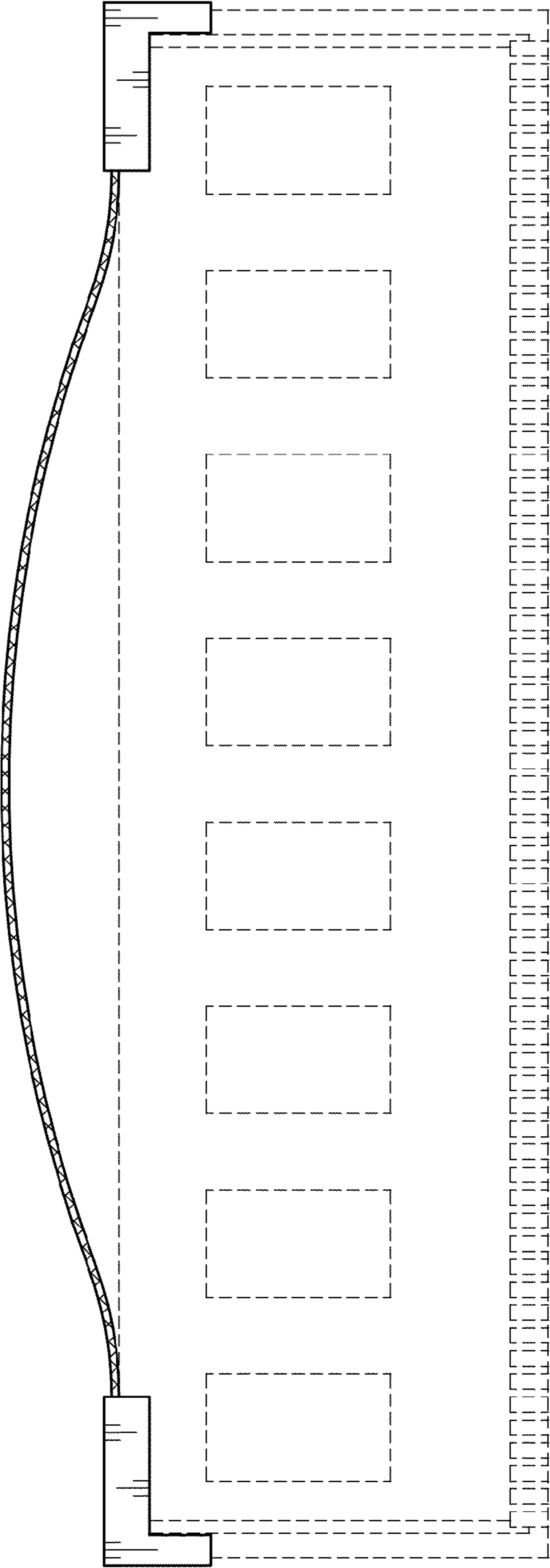


FIG.8