



US00D722600S

(12) **United States Design Patent**
Dowd et al.

(10) **Patent No.:** **US D722,600 S**

(45) **Date of Patent:** **** Feb. 17, 2015**

(54) **COMBINATION STYLUS CHARGING BASE AND A CAP**

(71) Applicant: **Adobe Systems Incorporated**, San Jose, CA (US)

(72) Inventors: **Geoffrey Charles Dowd**, San Francisco, CA (US); **Sang Ik Lee**, San Francisco, CA (US)

(73) Assignee: **Adobe Systems Incorporated**, San Jose, CA (US)

(**) Term: **14 Years**

(21) Appl. No.: **29/499,856**

(22) Filed: **Aug. 19, 2014**

(51) **LOC (10) Cl.** **14-02**

(52) **U.S. Cl.**
USPC **D14/411**

(58) **Field of Classification Search**

CPC G06F 3/016; G06F 3/033; G06F 3/0317; G06F 3/03545; G06F 3/041; G06K 9/222
USPC D8/61; D14/411; D19/35, 36, 41-51, D19/54-58; 401/55, 99, 100, 104-107, 196, 401/197, 202, 208, 209, 213, 192, 195, 401/243; 708/107; 345/179, 173; 178/19.01; 700/94

See application file for complete search history.

(56) **References Cited**

U.S. PATENT DOCUMENTS

D419,541 S * 1/2000 Kawashima D14/431
D431,598 S * 10/2000 Kim et al. D19/36

D464,653 S * 10/2002 Nagai et al. D14/411
D617,796 S * 6/2010 Ando D14/411
D641,755 S * 7/2011 Rashid et al. D14/411
D646,277 S * 10/2011 Kim et al. D14/411
D686,618 S * 7/2013 Wilson et al. D14/411
D691,137 S * 10/2013 Yeon et al. D14/411
D692,429 S * 10/2013 So D14/411
D692,889 S * 11/2013 So D14/411
D706,267 S * 6/2014 Nakata D14/411
D709,886 S * 7/2014 Lin D14/411
D709,887 S * 7/2014 Yagi D14/411

* cited by examiner

Primary Examiner — Austin Murphy

(74) *Attorney, Agent, or Firm* — Shook, Hardy & Bacon, L.L.P.

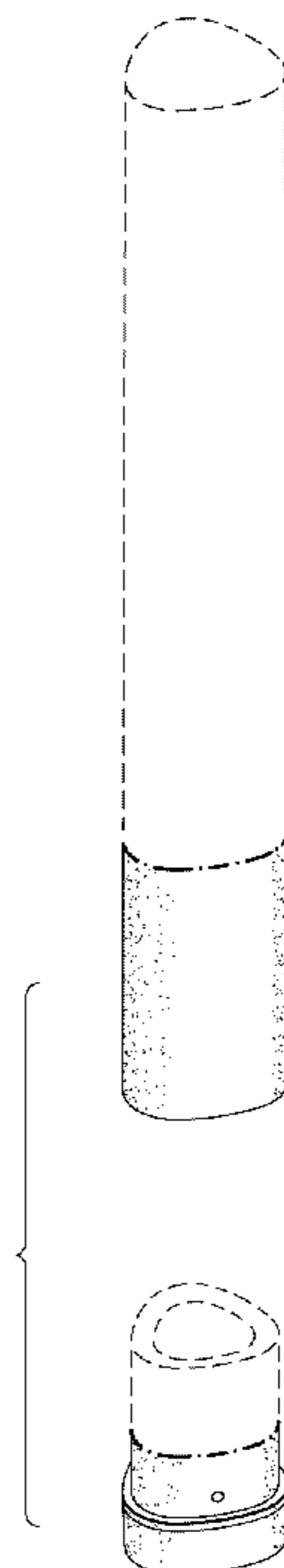
(57) **CLAIM**

The ornamental design for a combination stylus charging base and cap, as shown and described.

DESCRIPTION

FIG. 1 is a front perspective view of a combination stylus charging base and a cap showing our new design; FIG. 2 a rear perspective view of FIG. 1; FIG. 3 is a top plan view of FIG. 1; FIG. 4 is an exploded left side elevational view of FIG. 1, the right side being a mirror image; and, FIG. 5 is an exploded left side perspective view of FIG. 1, the right side being a mirror image. The broken lines in the Figures show portions of a body which form no part of the claimed design. It is understood that the bottom plan view, left-side elevational view, and right-side elevational views are identical.

1 Claim, 3 Drawing Sheets



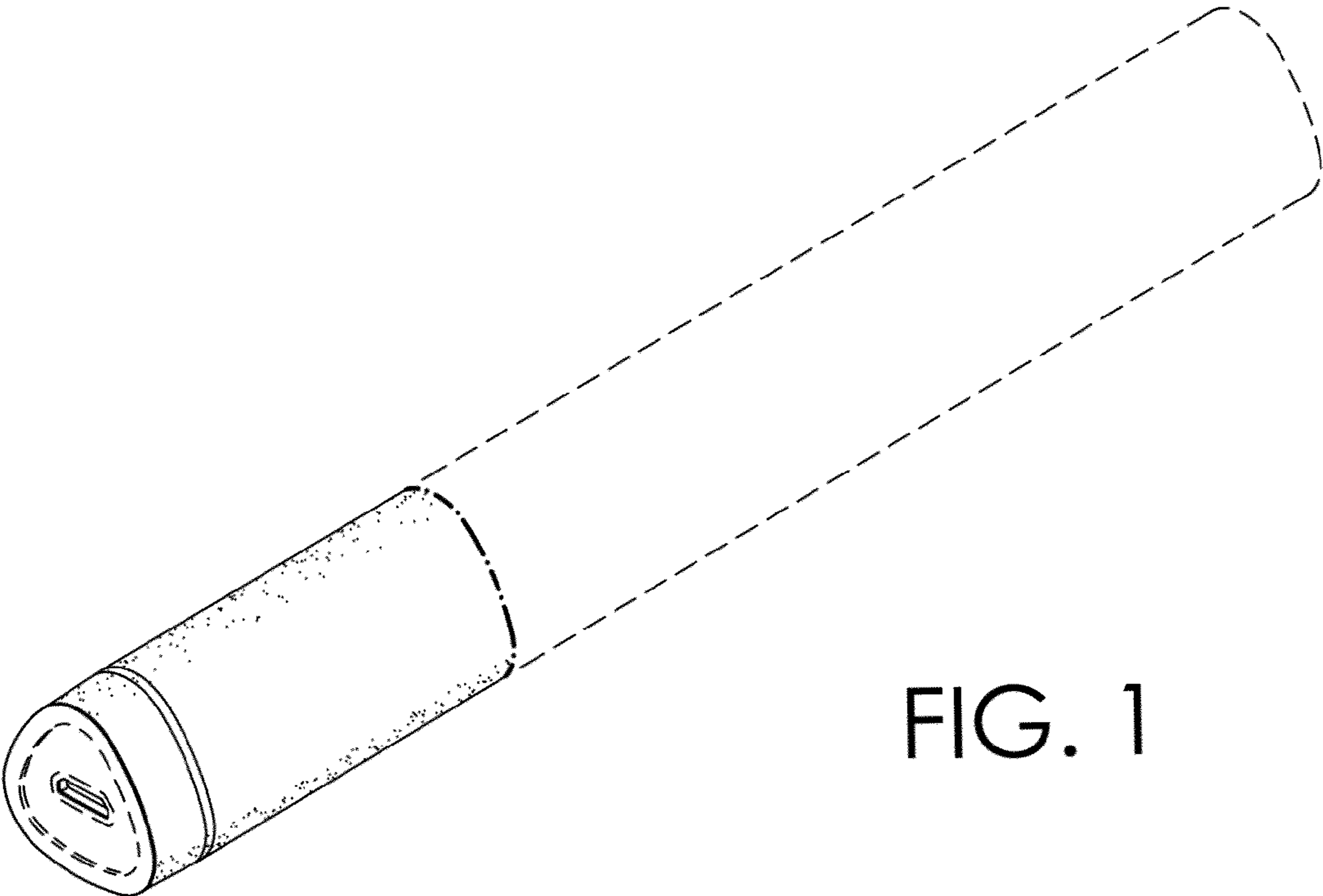


FIG. 1

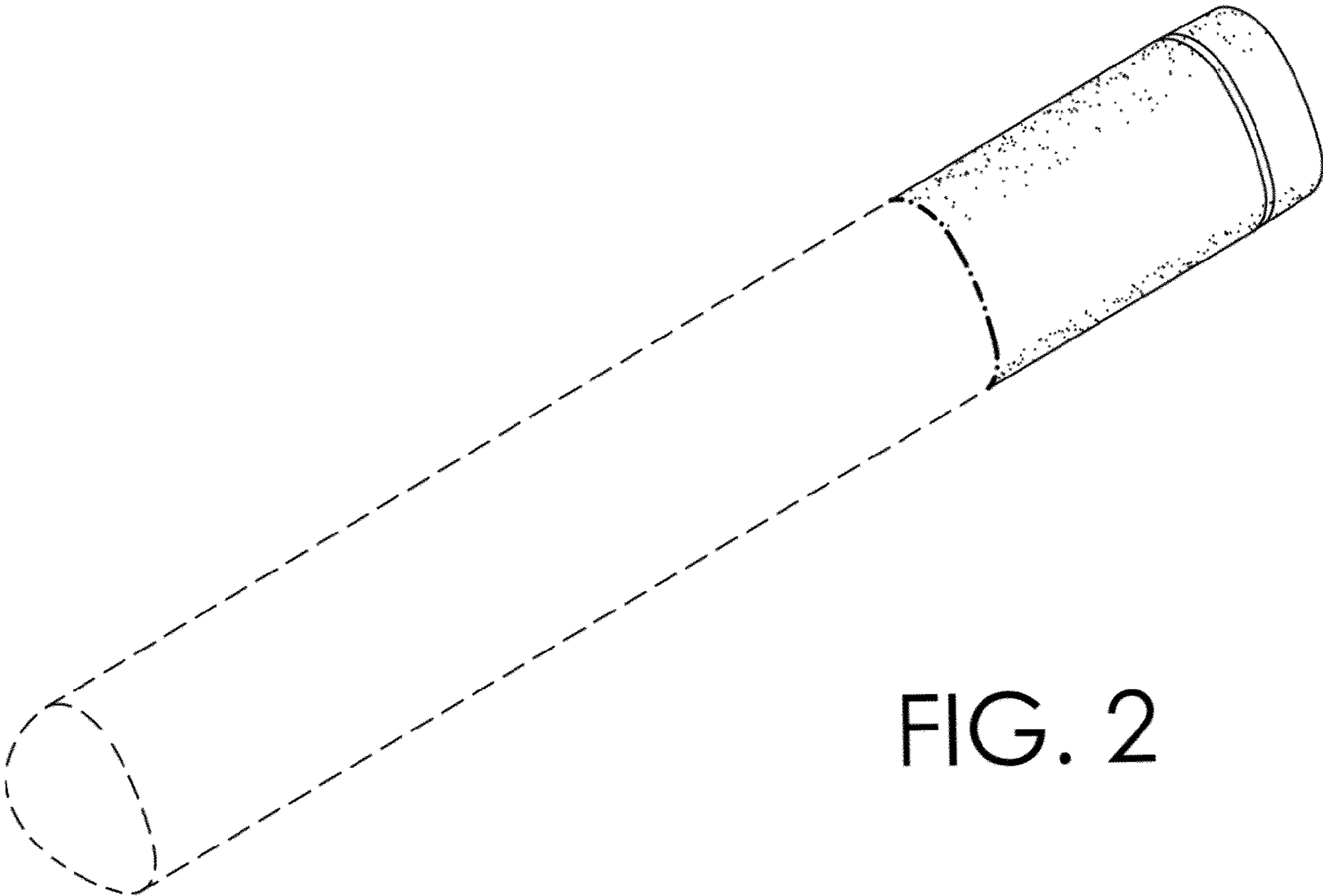


FIG. 2

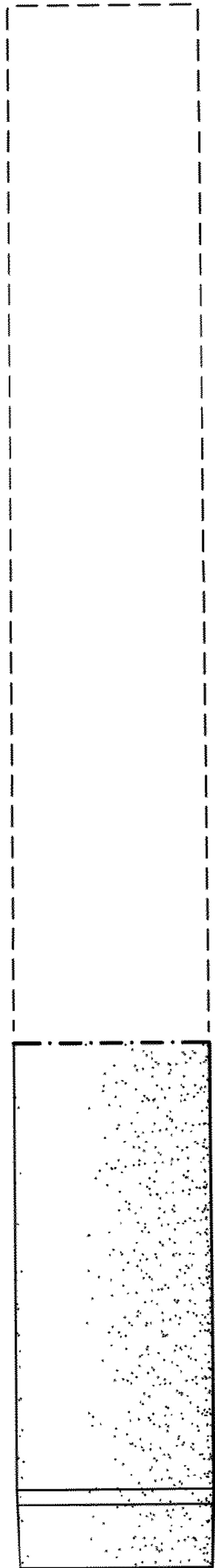


FIG. 3

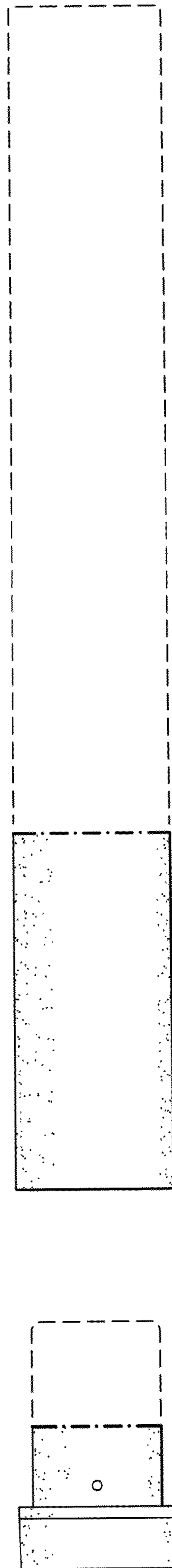


FIG. 4

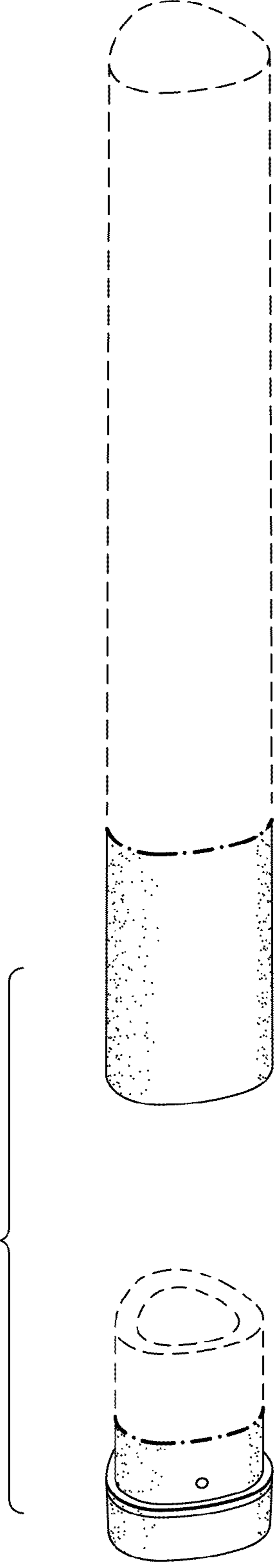


FIG. 5