



US00D722598S

(12) **United States Design Patent**
Leonard et al.

(10) **Patent No.:** **US D722,598 S**
(45) **Date of Patent:** **** Feb. 17, 2015**

(54) **INFORMATION HANDLING SYSTEM HOUSING**

(56) **References Cited**

U.S. PATENT DOCUMENTS

- (71) Applicant: **Dell Products L.P.**, Round Rock, TX (US)
- (72) Inventors: **Brian Hargrove Leonard**, Austin, TX (US); **Sung Kyun Bai**, Austin, TX (US); **Mark Menendez**, Austin, TX (US); **Steve Meosky**, Austin, TX (US); **Christopher O. Lovin**, Austin, TX (US)
- (73) Assignee: **Dell Products L.P.**, Round Rock, TX (US)

D606,990 S	*	12/2009	Chen et al.	D14/327
D627,342 S	*	11/2010	Lin et al.	D14/315
D638,416 S	*	5/2011	Kawase	D14/315
D638,418 S	*	5/2011	Sheu et al.	D14/315
D676,436 S	*	2/2013	Du et al.	D14/313

* cited by examiner

Primary Examiner — Freda S Nunn
(74) *Attorney, Agent, or Firm* — Terrile, Cannatti, Chambers & Holland, LLP; Robert W. Holland

(57) **CLAIM**

We claim the ornamental design for an information handling system housing, as shown and described.

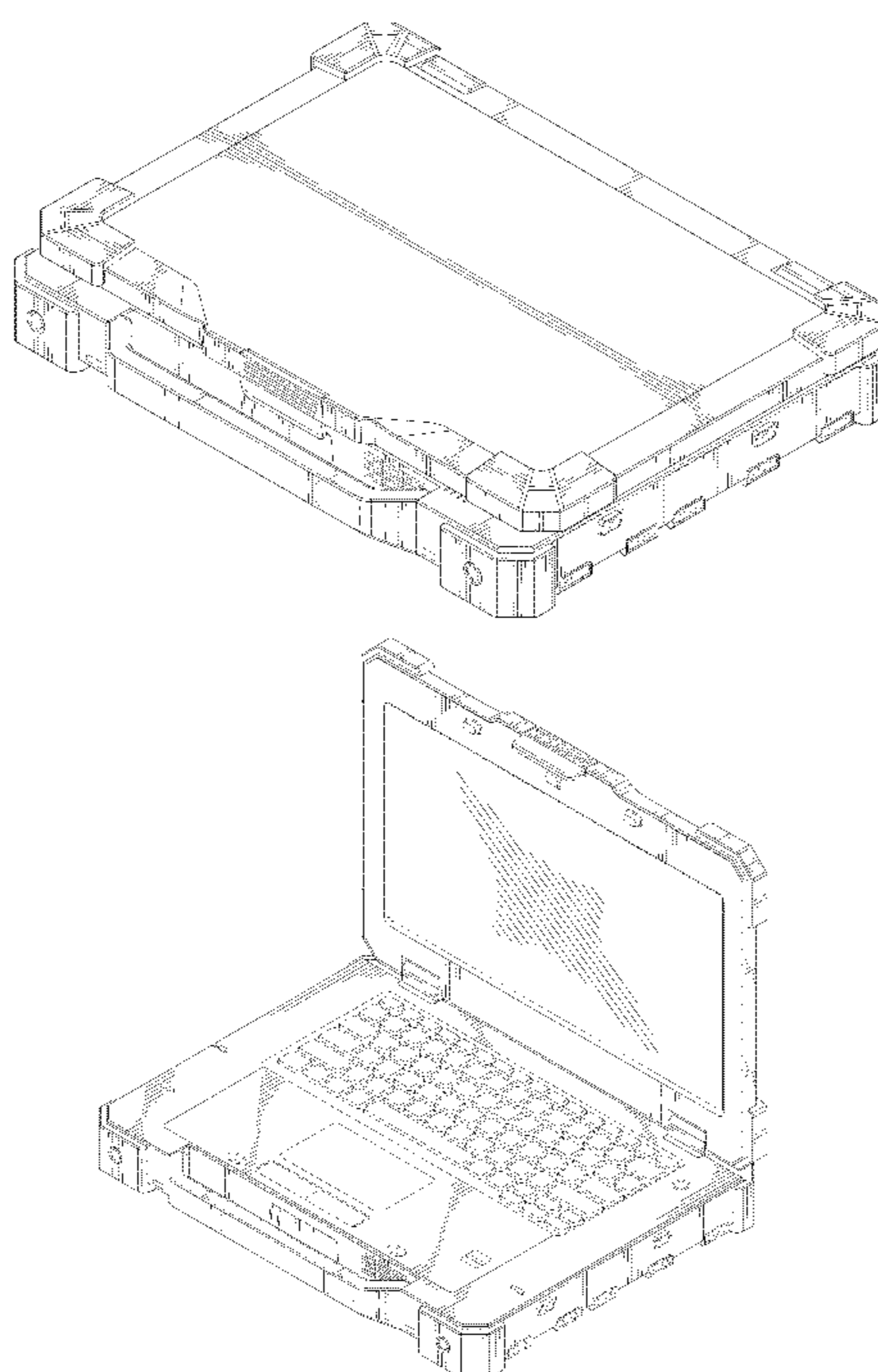
DESCRIPTION

FIG. 1 is a front perspective view of the information handling system housing in a closed position comprising the present invention;
 FIG. 2 is a front view thereof;
 FIG. 3 is a back side view thereof;
 FIG. 4 is a right side view thereof;
 FIG. 5 is a left side view thereof;
 FIG. 6 is a top view thereof;
 FIG. 7 is a bottom view thereof;
 FIG. 8 is a front perspective view thereof in an open position;
 FIG. 9 is front perspective view of a docking station on which the information handling system housing rests; and,
 FIG. 10 is a rear perspective view thereof in an open position resting on the docking station.
 Broken lines shown in the drawings illustrate portions of the information handling system housing, and form no part of the claimed design.

- (**) Term: **14 Years**
- (21) Appl. No.: **29/481,406**
- (22) Filed: **Feb. 5, 2014**
- (51) **LOC (10) Cl.** **14-02**
- (52) **U.S. Cl.**
USPC **D14/315**
- (58) **Field of Classification Search**
USPC D14/315-328, 341, 345; D18/1, 2, 7, D18/11; 235/145 A, 145 R; 341/22, 23; 345/104, 156, 168, 169, 173; 361/679.08, 679.09, 679.11, 679.26, 361/679.27; 16/367

See application file for complete search history.

1 Claim, 8 Drawing Sheets



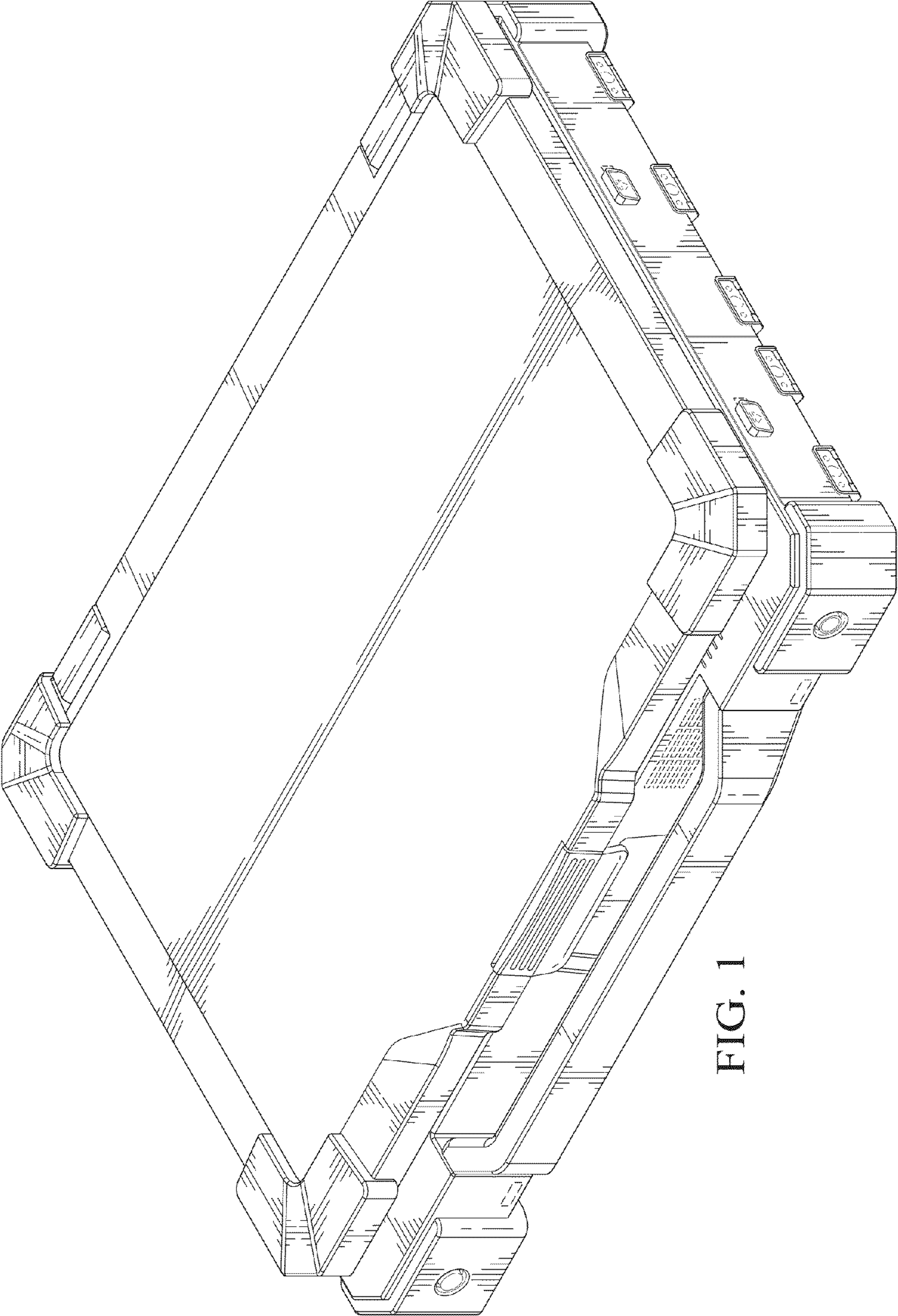


FIG. 1

FIG. 2

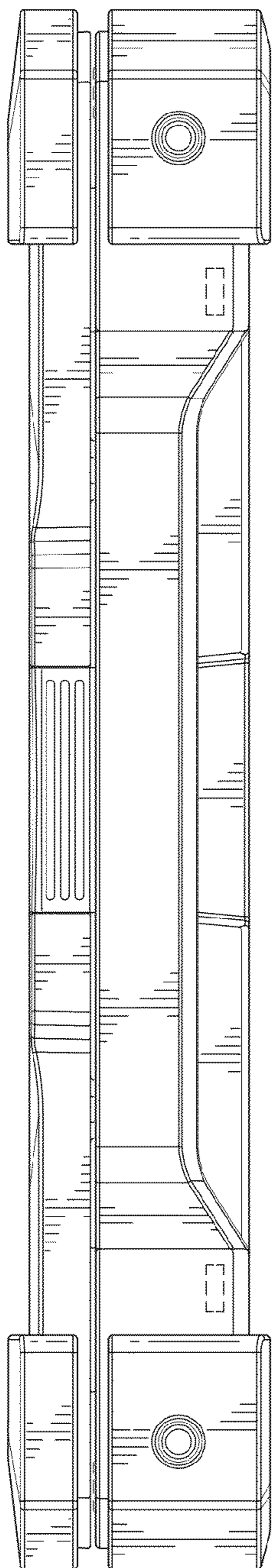


FIG. 3

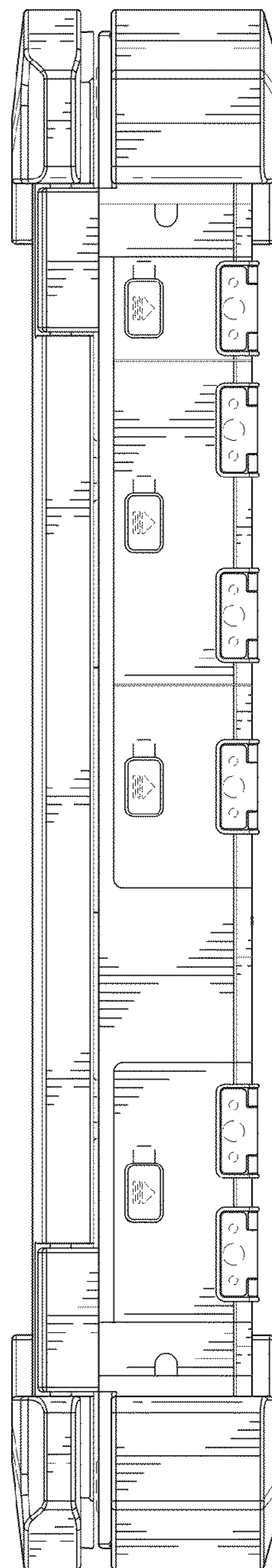


FIG. 4

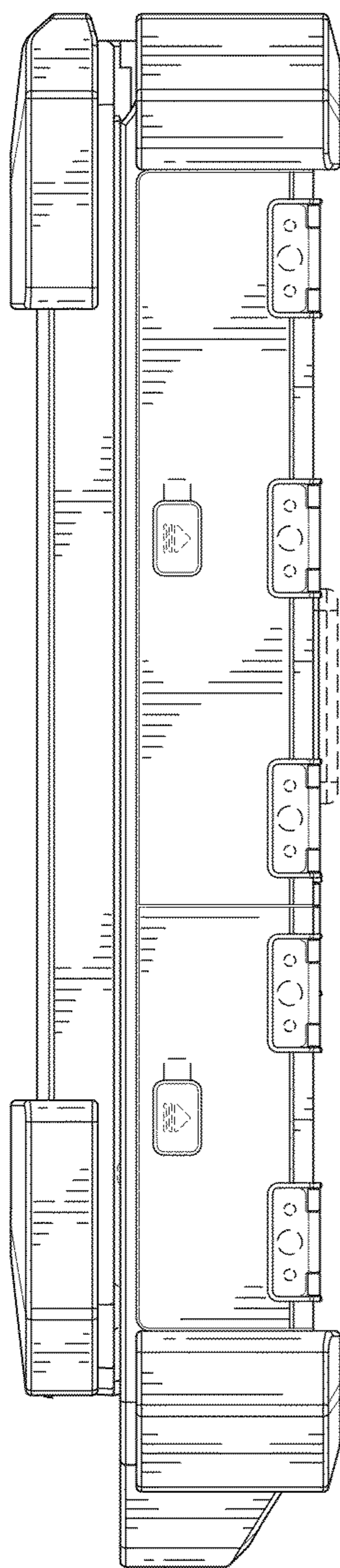
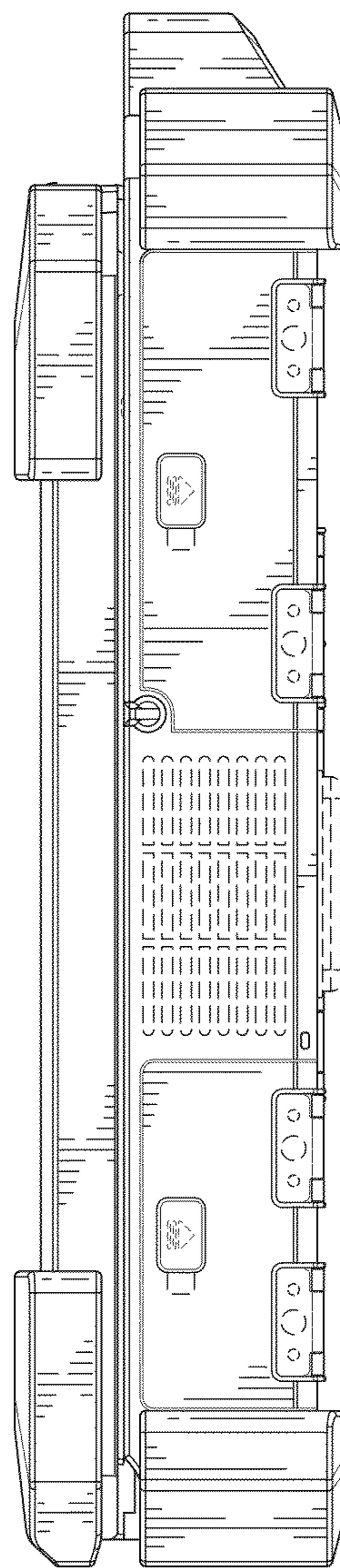


FIG. 5



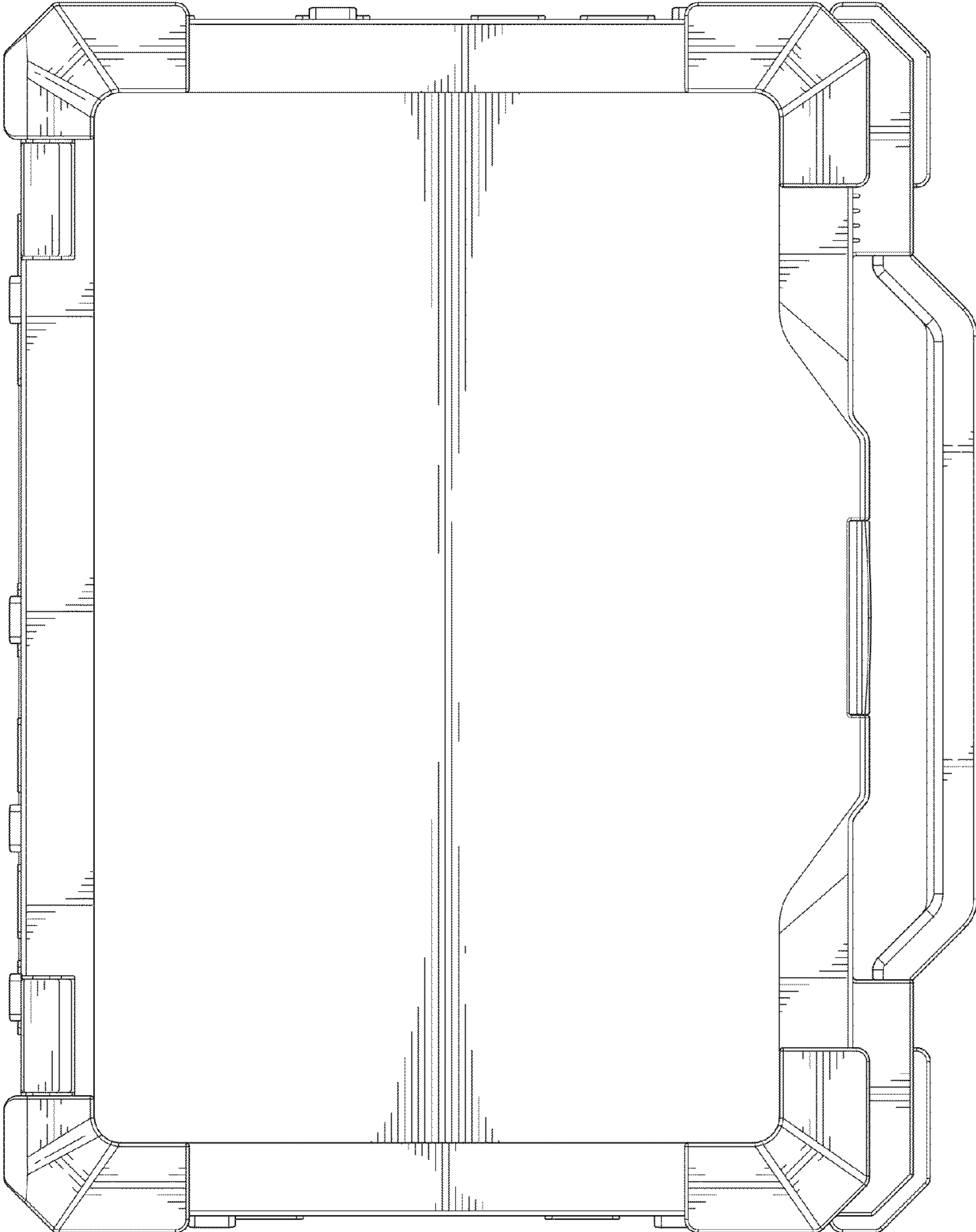


FIG. 6

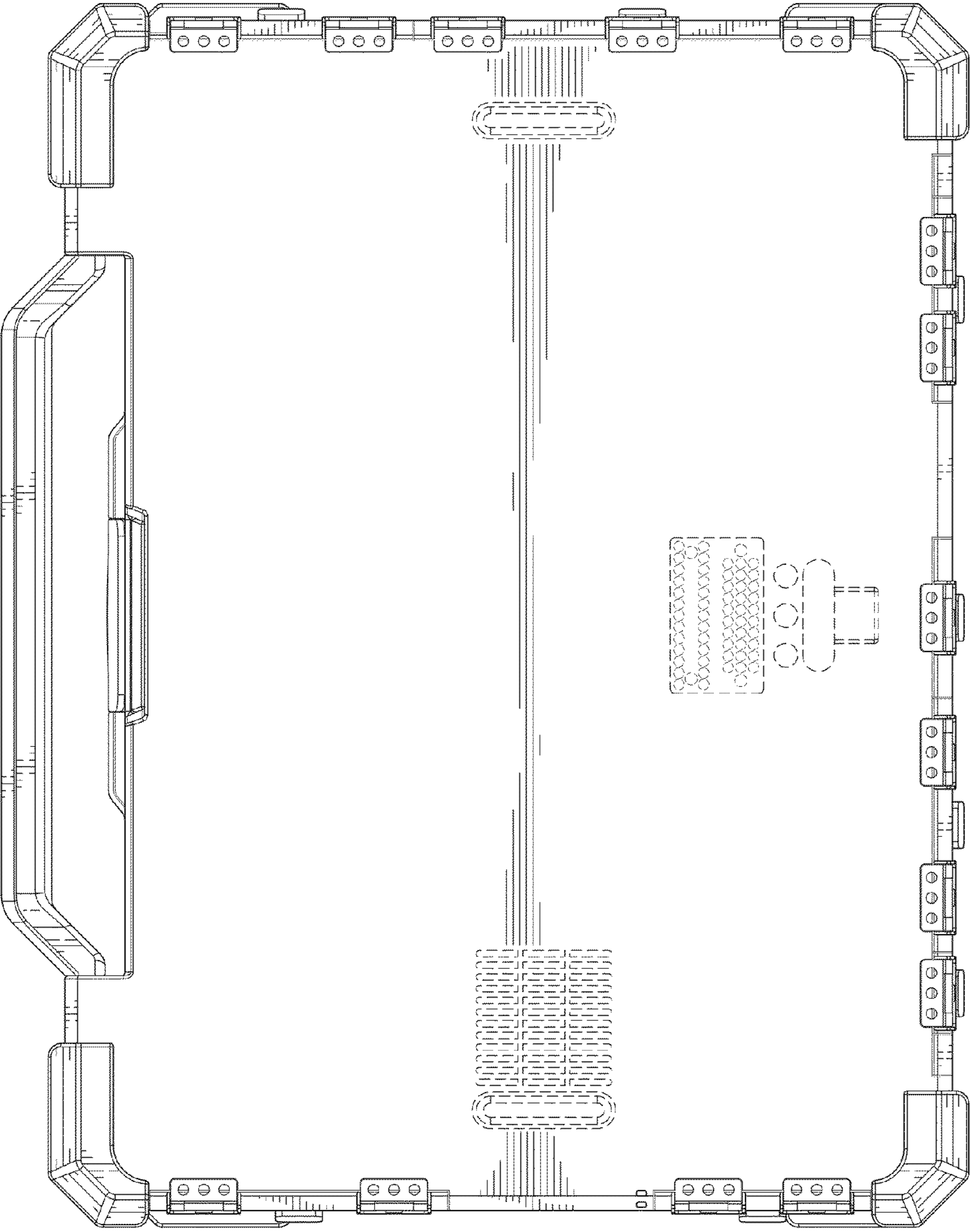


FIG. 7

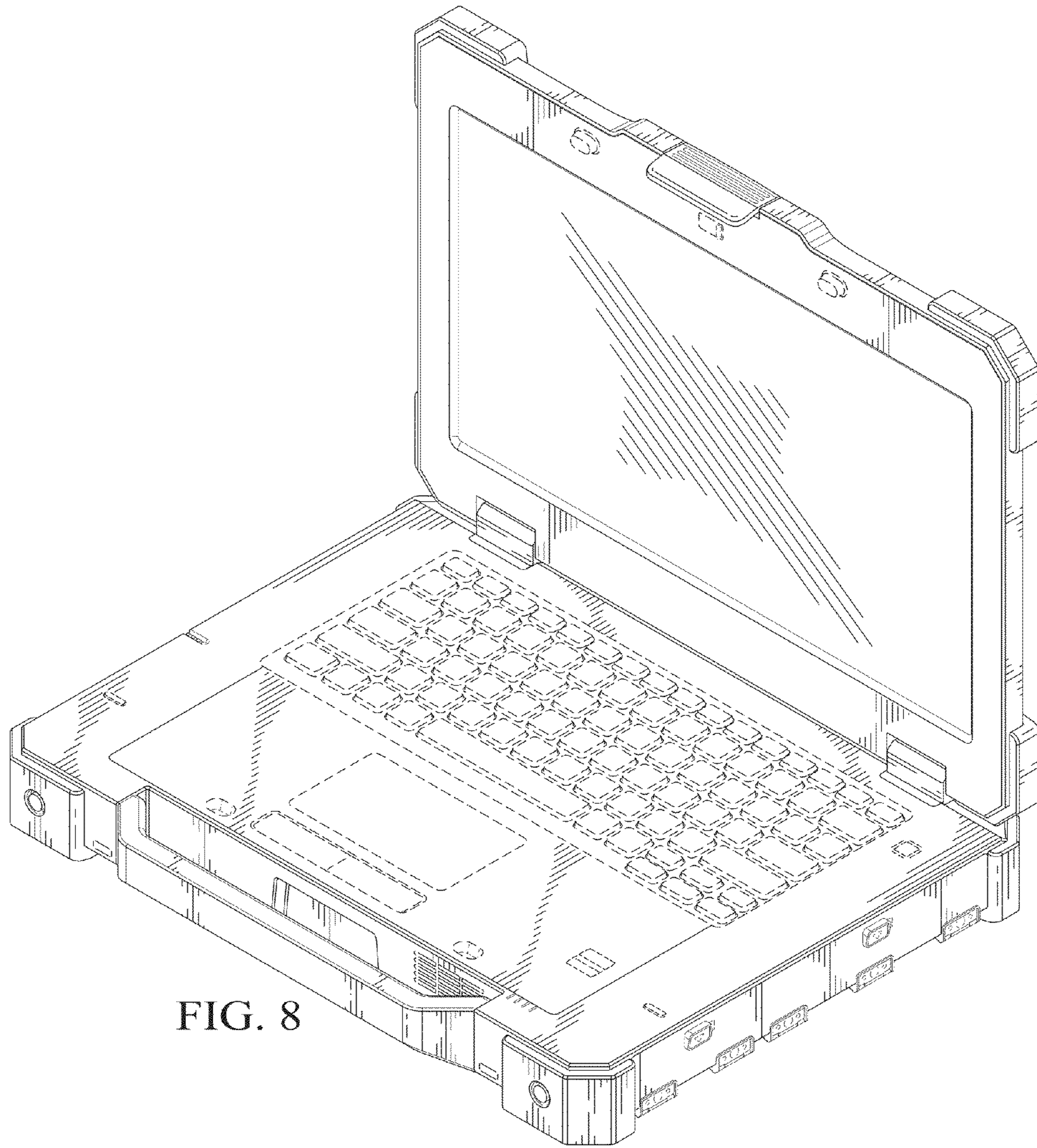


FIG. 8

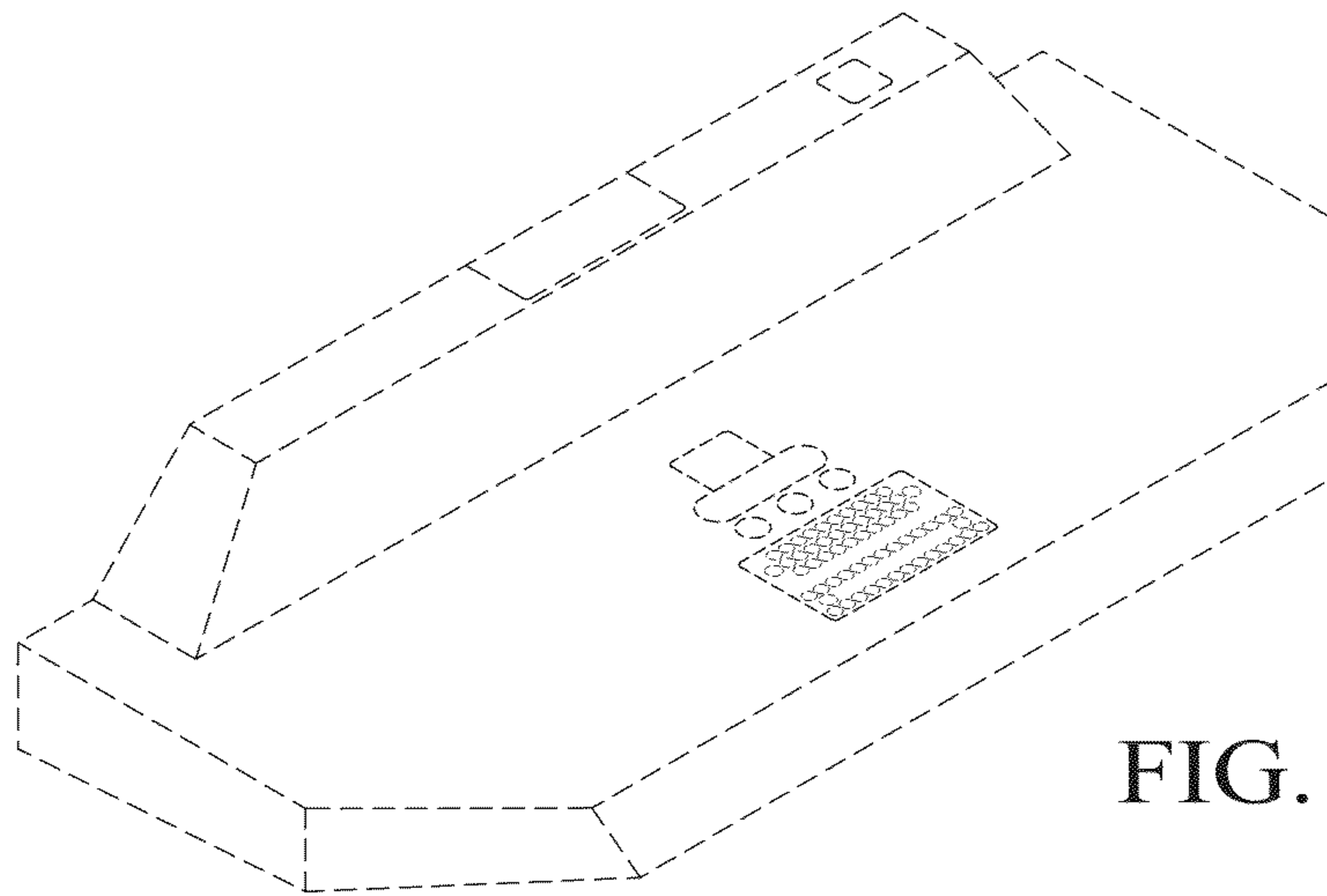


FIG. 9

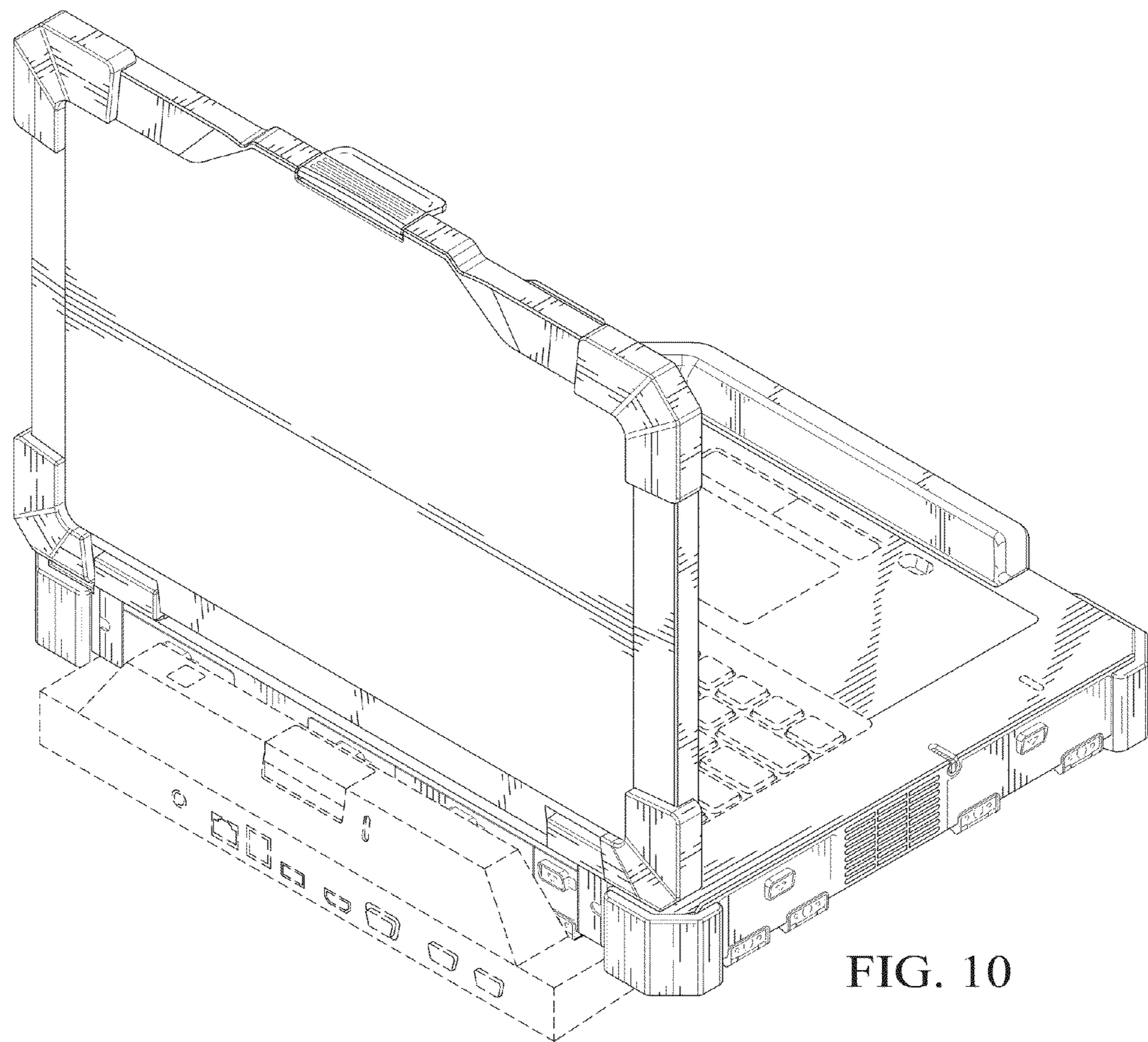


FIG. 10