



US00D722597S

(12) **United States Design Patent**  
**Koh**

(10) **Patent No.:** **US D722,597 S**

(45) **Date of Patent:** **\*\* Feb. 17, 2015**

(54) **MOBILE PHONE**

(71) Applicant: **Samsung Electronics Co., Ltd.**,  
Suwon-si (KR)

(72) Inventor: **Min-Ah Koh**, Seoul (KR)

(73) Assignee: **Samsung Electronics Co., Ltd.**,  
Suwon-si (KR)

(\*\*) Term: **14 Years**

(21) Appl. No.: **29/464,667**

(22) Filed: **Aug. 20, 2013**

(30) **Foreign Application Priority Data**

Feb. 20, 2013 (KR) ..... 30-2013-0008642

(51) **LOC (10) Cl.** ..... **14-03**

(52) **U.S. Cl.**  
USPC ..... **D14/248**

(58) **Field of Classification Search**

CPC ..... H04M 1/02; H04M 1/0202-1/035;  
G06F 1/1626

USPC ..... D14/138 G, 138 AD, 138 AA, 341, 346,  
D14/138 R, 496, 203.1-203.7, 248, 218,  
D14/439, 217, 191; 455/575.1, 556.2,  
455/575.3, 575.4; D21/517, 329, 331, 333;  
D10/65, 78; 379/433.01, 433.04;  
361/679.3, 679.56

See application file for complete search history.

(56) **References Cited**

U.S. PATENT DOCUMENTS

D622,691 S \* 8/2010 Kim et al. .... D14/138 G  
D633,066 S \* 2/2011 Park et al. .... D14/138 AD  
D634,725 S \* 3/2011 Ewing et al. .... D14/138 G  
D639,261 S \* 6/2011 Garnham et al. .... D14/138 G  
D644,197 S \* 8/2011 Lee et al. .... D14/138 G  
D645,010 S \* 9/2011 Lee et al. .... D14/138 G

D652,003 S \* 1/2012 Park et al. .... D14/138 G  
D654,047 S \* 2/2012 Kim et al. .... D14/138 G  
D654,048 S \* 2/2012 Ichinose et al. .... D14/138 G

(Continued)

FOREIGN PATENT DOCUMENTS

KR 30-0712175 10/2013

OTHER PUBLICATIONS

Samsung Galaxy Trend II Duos S7572 telephone, announced Apr. 2013, [online], [site visited Sep. 4, 2014]. Available from Internet, <URL: [http://www.gsmarena.com/samsung\\_galaxy\\_trend\\_ii\\_duos\\_s7572-5394.php](http://www.gsmarena.com/samsung_galaxy_trend_ii_duos_s7572-5394.php)>.\*

(Continued)

*Primary Examiner* — Jeffrey D Asch

(74) *Attorney, Agent, or Firm* — NSIP Law

(57) **CLAIM**

The ornamental design for a mobile phone, as shown and described.

**DESCRIPTION**

FIG. 1 is a front perspective view of a mobile phone showing my new design;

FIG. 2 is a front view thereof;

FIG. 3 is a rear view thereof;

FIG. 4 is a left-side view thereof;

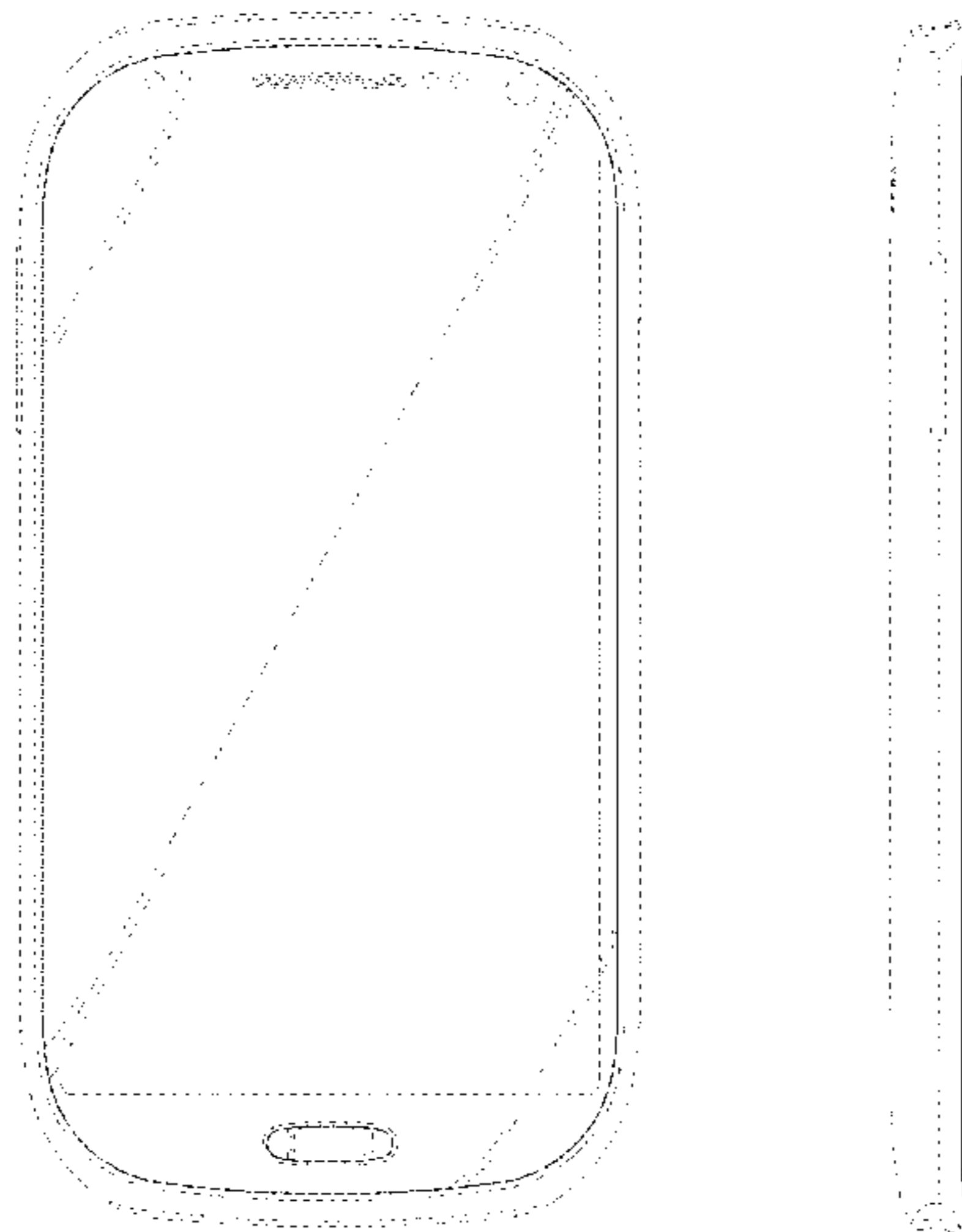
FIG. 5 is a right-side view thereof

FIG. 6 is a top view thereof; and,

FIG. 7 is a bottom view thereof.

The outermost broken line of the speaker opening, which is within the claimed surface, is immediately adjacent to the shaded areas, and defines a region that is unshaded, represents the bounds of the claim. All other broken lines, including the tiny circles near the speaker, the rectangle that indicates the display, and the features within the outermost boundary of the speaker, show portions of the mobile phone that form no part of the claimed design. The broken lines form no part of the claimed design.

**1 Claim, 4 Drawing Sheets**



(56)

References Cited

U.S. PATENT DOCUMENTS

D657,764	S	*	4/2012	Hong	.....	D14/138	G
D660,269	S	*	5/2012	Zhang et al.	.....	D14/138	G
D663,710	S	*	7/2012	Park	.....	D14/138	G
D672,739	S	*	12/2012	Sin	.....	D14/138	G
D676,824	S	*	2/2013	Lee	.....	D14/138	G
D681,590	S	*	5/2013	Han	.....	D14/138	G
D686,180	S	*	7/2013	Kim et al.	.....	D14/138	G
D687,792	S	*	8/2013	Kim et al.	.....	D14/138	G
D687,798	S	*	8/2013	Park et al.	.....	D14/138	G
D687,800	S	*	8/2013	Lee	.....	D14/138	G
8,508,927	B2	*	8/2013	Chen	.....	361/679.3	
D701,192	S	*	3/2014	Park	.....	D14/138	G
D701,848	S	*	4/2014	Im	.....	D14/138	G
D702,203	S	*	4/2014	Son	.....	D14/138	G
D702,661	S	*	4/2014	Oh et al.	.....	D14/138	G
D703,644	S	*	4/2014	Song et al.	.....	D14/248	
D703,645	S	*	4/2014	Song et al.	.....	D14/248	
D705,187	S	*	5/2014	Hwang et al.	.....	D14/138	G
D706,738	S	*	6/2014	Kim et al.	.....	D14/138	G
D707,648	S	*	6/2014	Ryu et al.	.....	D14/138	G
D710,814	S	*	8/2014	Im	.....	D14/138	G
D710,816	S	*	8/2014	Koh	.....	D14/138	G
D711,343	S	*	8/2014	Lee	.....	D14/138	G

OTHER PUBLICATIONS

Samsung Galaxy S Duos 2 S7582 telephone, announced Nov. 2013, [online], [site visited Sep. 4, 2014]. Available from Internet, <URL: [http://www.gsmaarena.com/samsung\\_galaxy\\_s\\_duos\\_2\\_s7582-5876.php](http://www.gsmaarena.com/samsung_galaxy_s_duos_2_s7582-5876.php)>.\*

Samsung Galaxy Exhibit T599 telephone, announced May 2013, [online], [site visited Sep. 4, 2014]. Available from Internet, <URL: [http://www.gsmaarena.com/samsung\\_galaxy\\_exhibit\\_t599-5468.php](http://www.gsmaarena.com/samsung_galaxy_exhibit_t599-5468.php)>.\*

Samsung I8190 Galaxy S III mini telephone, announced Oct. 2012, [online], [site visited Sep. 4, 2014]. Available from Internet, <URL: [http://www.gsmaarena.com/samsung\\_i8190\\_galaxy\\_s\\_iii\\_mini-5033.php](http://www.gsmaarena.com/samsung_i8190_galaxy_s_iii_mini-5033.php)>.\*

Samsung Galaxy Ace 2 I8160 telephone, announced Feb. 2012, [online], [site visited Sep. 4, 2014]. Available from Internet, <URL: [http://www.gsmaarena.com/samsung\\_galaxy\\_ace\\_2\\_i8160-4559.php](http://www.gsmaarena.com/samsung_galaxy_ace_2_i8160-4559.php)>.\*

Samsung Galaxy Young S6310 telephone, announced Feb. 2013, [online], [site visited Sep. 4, 2014]. Available from Internet, <URL: [http://www.gsmaarena.com/samsung\\_galaxy\\_young\\_s6310-5280.php](http://www.gsmaarena.com/samsung_galaxy_young_s6310-5280.php)>.\*

Nokia Lumia 510 telephone, announced Oct. 2012, [online], [site visited Sep. 4, 2014]. Available from Internet, <URL: [http://www.gsmaarena.com/nokia\\_lumia\\_510-5069.php](http://www.gsmaarena.com/nokia_lumia_510-5069.php)>.\*

Samsung Galaxy Light telephone, announced Oct. 2013, [online], [site visited Sep. 4, 2014]. Available from Internet, <URL: [http://www.gsmaarena.com/samsung\\_galaxy\\_light-5786.php](http://www.gsmaarena.com/samsung_galaxy_light-5786.php)>.\*

Samsung Galaxy Express I437 telephone, announced Oct. 2012, [online], [site visited Sep. 4, 2014]. Available from Internet, <URL: [http://www.gsmaarena.com/samsung\\_galaxy\\_express\\_i437-5018.php](http://www.gsmaarena.com/samsung_galaxy_express_i437-5018.php)>.\*

Samsung Galaxy Axiom R830 telephone, announced Nov. 2012, [online], [site visited Sep. 4, 2014]. Available from Internet, <URL: [http://www.gsmaarena.com/samsung\\_galaxy\\_axiom\\_r830-5144.php](http://www.gsmaarena.com/samsung_galaxy_axiom_r830-5144.php)>.\*

\* cited by examiner

FIG. 1

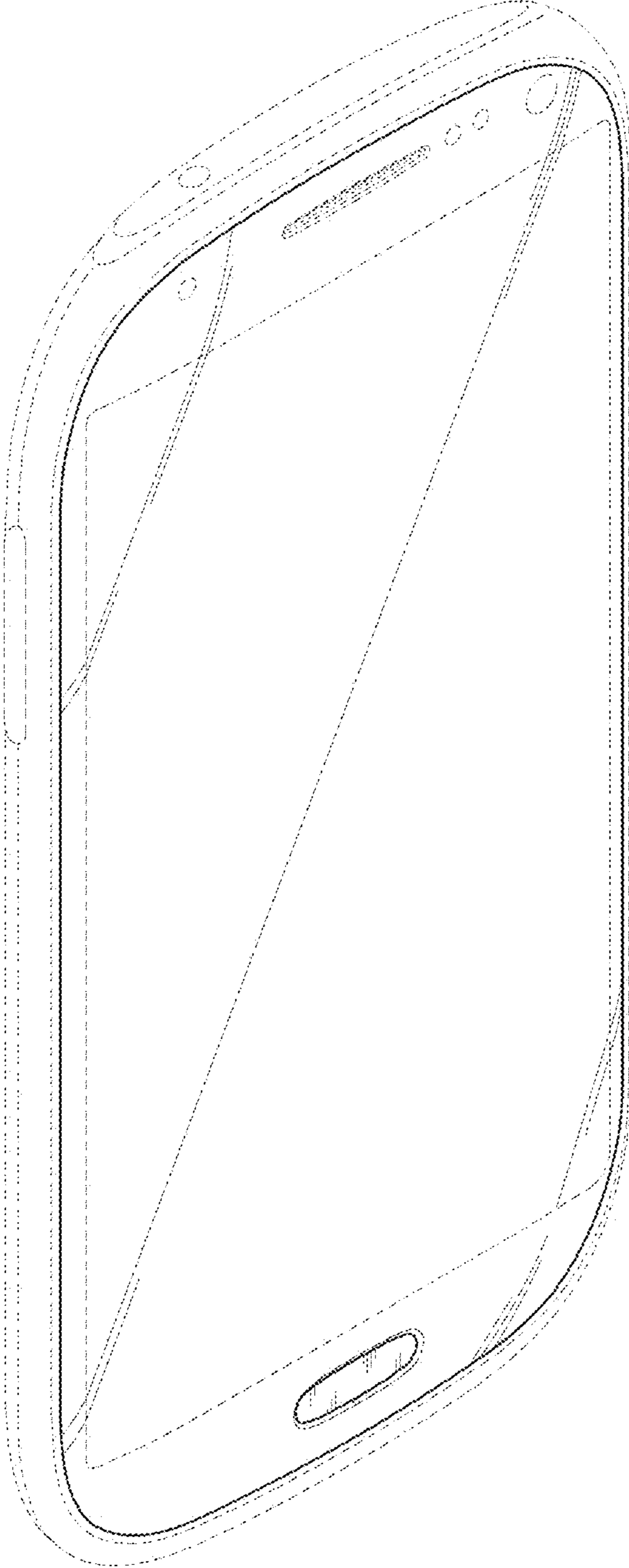


FIG.2

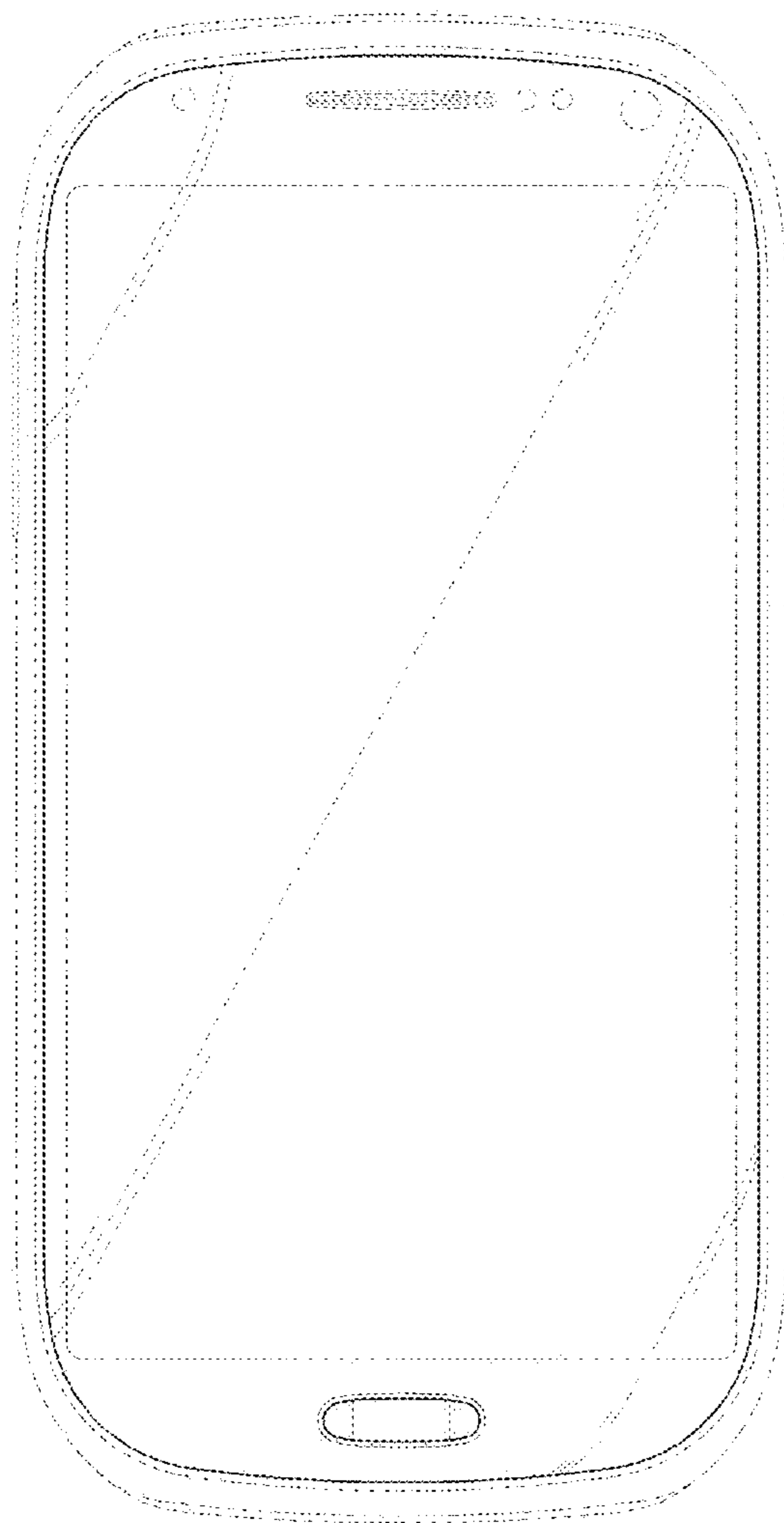


FIG.3

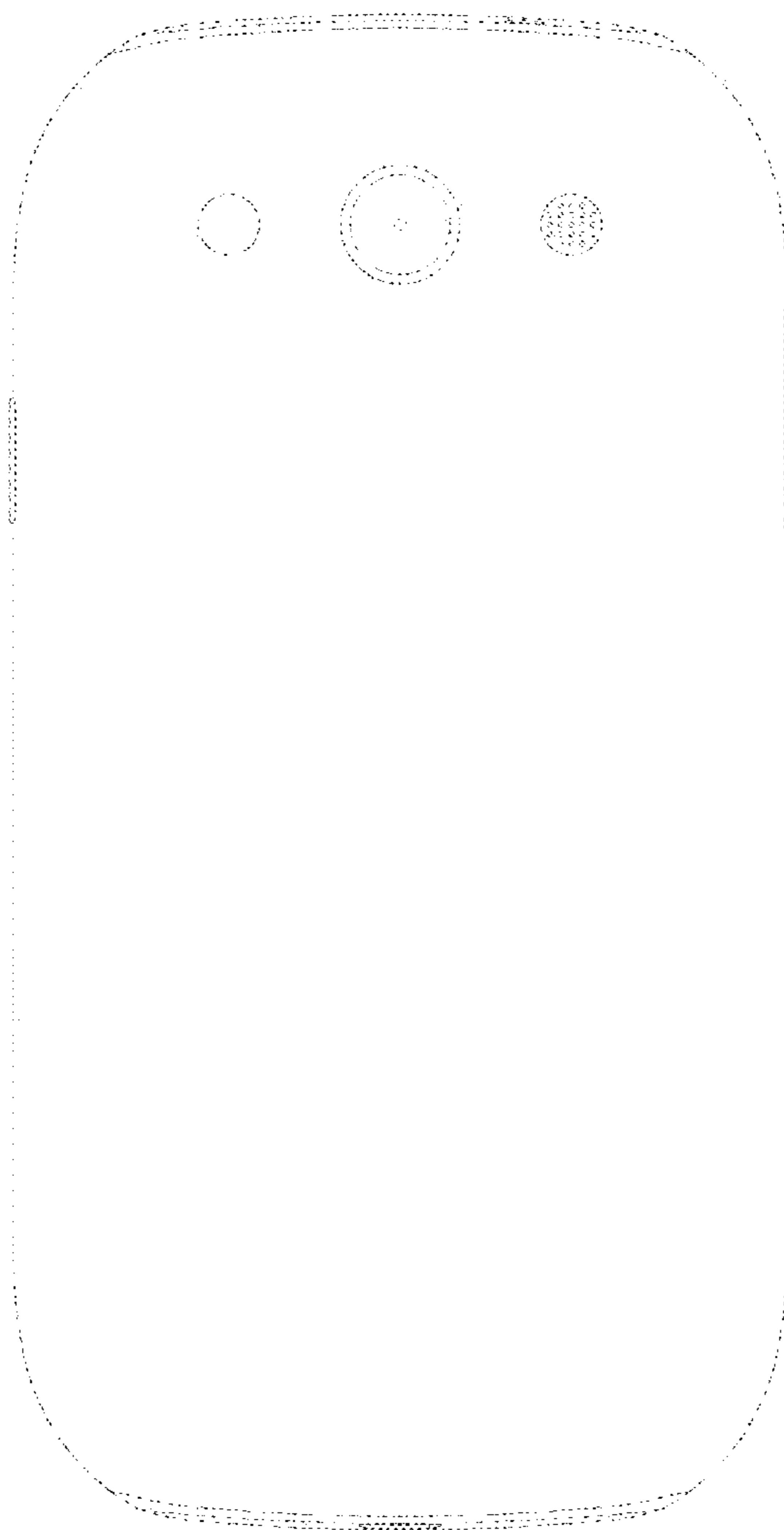


FIG. 4

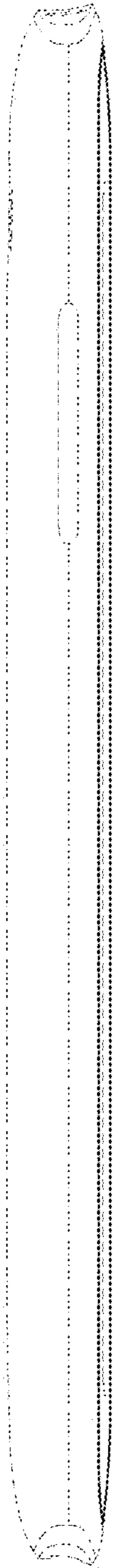


FIG. 5

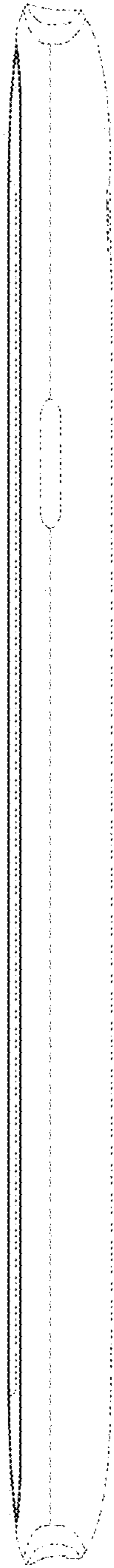


FIG. 6

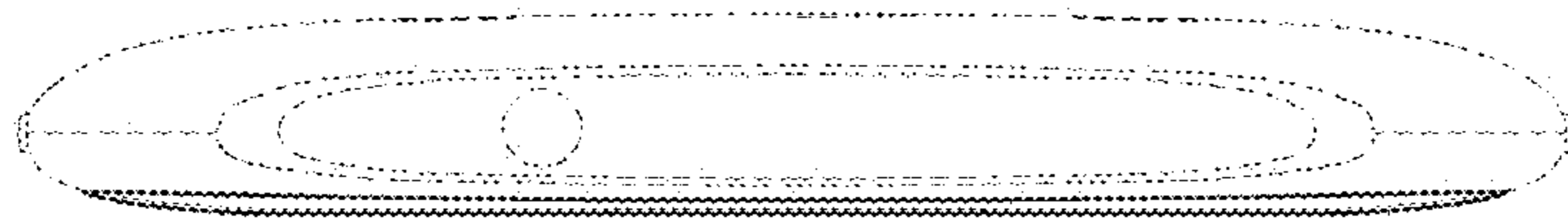


FIG. 7

