



US00D722595S

(12) **United States Design Patent**  
**Mackiewicz et al.**

(10) **Patent No.:** **US D722,595 S**

(45) **Date of Patent:** **\*\* Feb. 17, 2015**

(54) **LOUDSPEAKER**

(56)

**References Cited**

(71) Applicant: **Harman International Industries, Incorporated**, Northridge, CA (US)  
  
(72) Inventors: **Damian Mackiewicz**, Shenzhen (CN);  
**Alexander Demin**, Shenzhen (CN);  
**Hyungwoo Yoon**, Shenzhen (CN)

U.S. PATENT DOCUMENTS

D563,391 S \* 3/2008 Skurdal ..... D14/216  
D573,579 S \* 7/2008 Yamaguchi ..... D14/500  
D686,186 S \* 7/2013 Kaneko et al. .... D14/168  
D698,753 S \* 2/2014 Yiu et al. .... D14/216  
D706,747 S \* 6/2014 Yoshimura ..... D14/209.1  
D715,764 S \* 10/2014 Kim et al. .... D14/209.1  
D715,765 S \* 10/2014 Kim et al. .... D14/209.1

(73) Assignee: **Harman International Industries, Incorporated**, Northridge, CA (US)

OTHER PUBLICATIONS

U.S. Appl. No. 29/465,408, filed Aug. 27, 2013.

(\*\*) Term: **14 Years**

\* cited by examiner

(21) Appl. No.: **29/478,395**

*Primary Examiner* — Keli L Hill

(22) Filed: **Jan. 3, 2014**

(74) *Attorney, Agent, or Firm* — Plumsea Law Group, LLC

(51) **LOC (10) Cl.** ..... **14-03**

(57) **CLAIM**

The ornamental design for a loudspeaker, as shown and described.

(52) **U.S. Cl.**

**DESCRIPTION**

USPC ..... **D14/216**

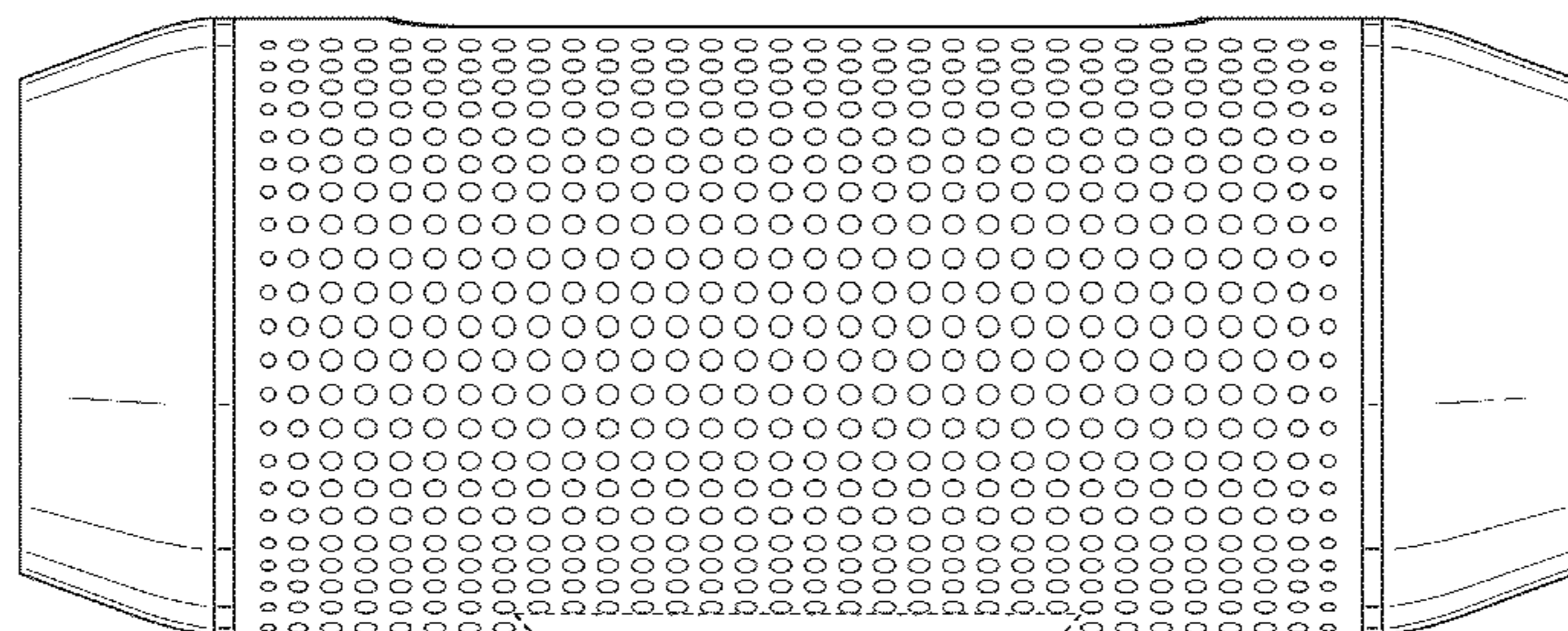
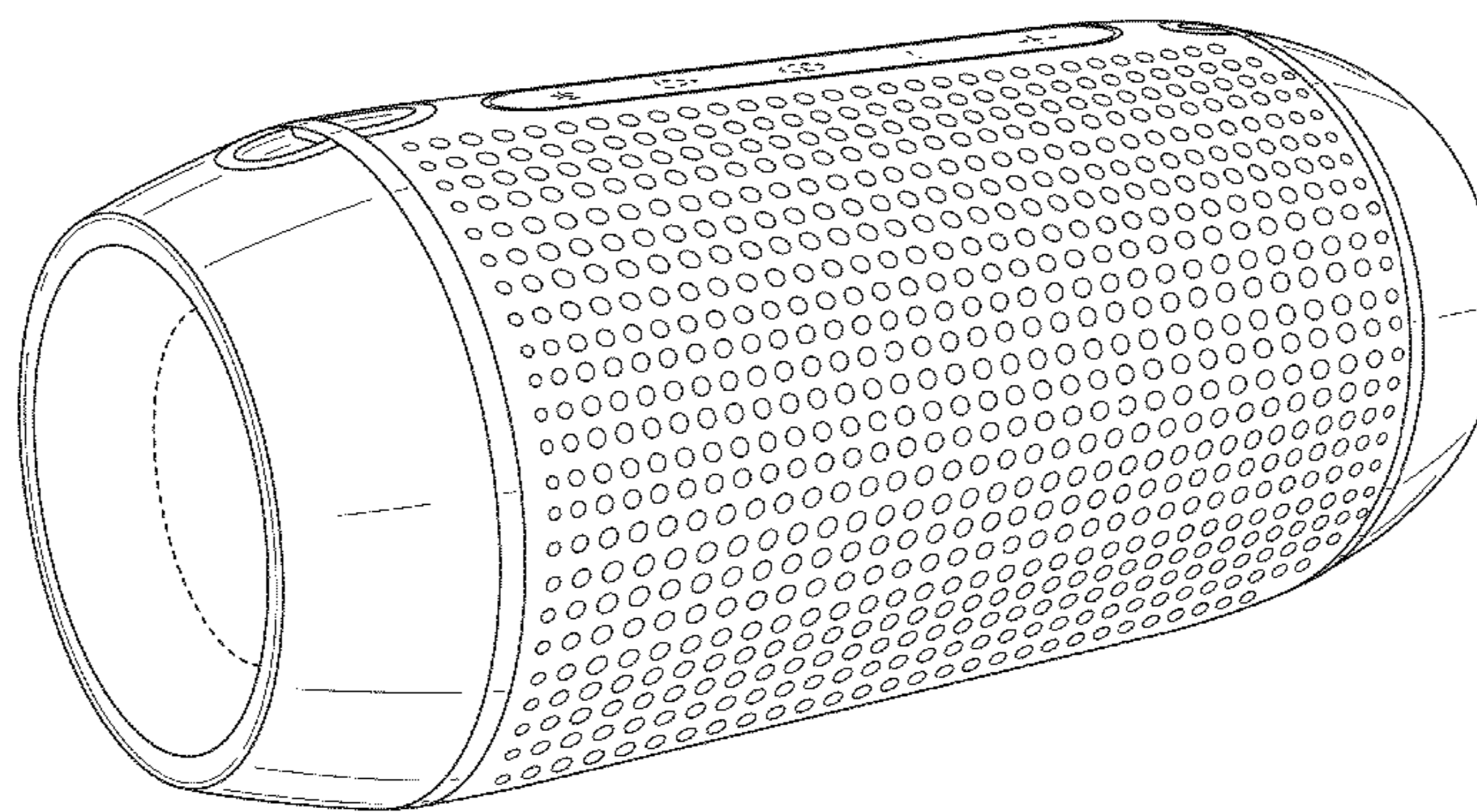
(58) **Field of Classification Search**

USPC ..... D14/167, 168, 170–172, 188, 192,  
D14/194–196, 204, 207, 209.1, 210–216,  
D14/219, 221, 222, 224, 496; 181/143, 144,  
181/147, 148, 150, 153, 157, 198, 199;  
381/300–303, 306, 332, 333, 336, 345,  
381/361–364, 386, 388; 369/6–12

FIG. 1 is a perspective view of a loudspeaker showing my new design;  
FIG. 2 is a front elevational view thereof, the rear elevational view being a mirror image thereof;  
FIG. 3 is a top plan view thereof; and,  
FIG. 4 is a side elevational view thereof, the opposite side elevational view being a mirror image thereof.  
The broken line showings form no part of the claimed design.

See application file for complete search history.

**1 Claim, 4 Drawing Sheets**



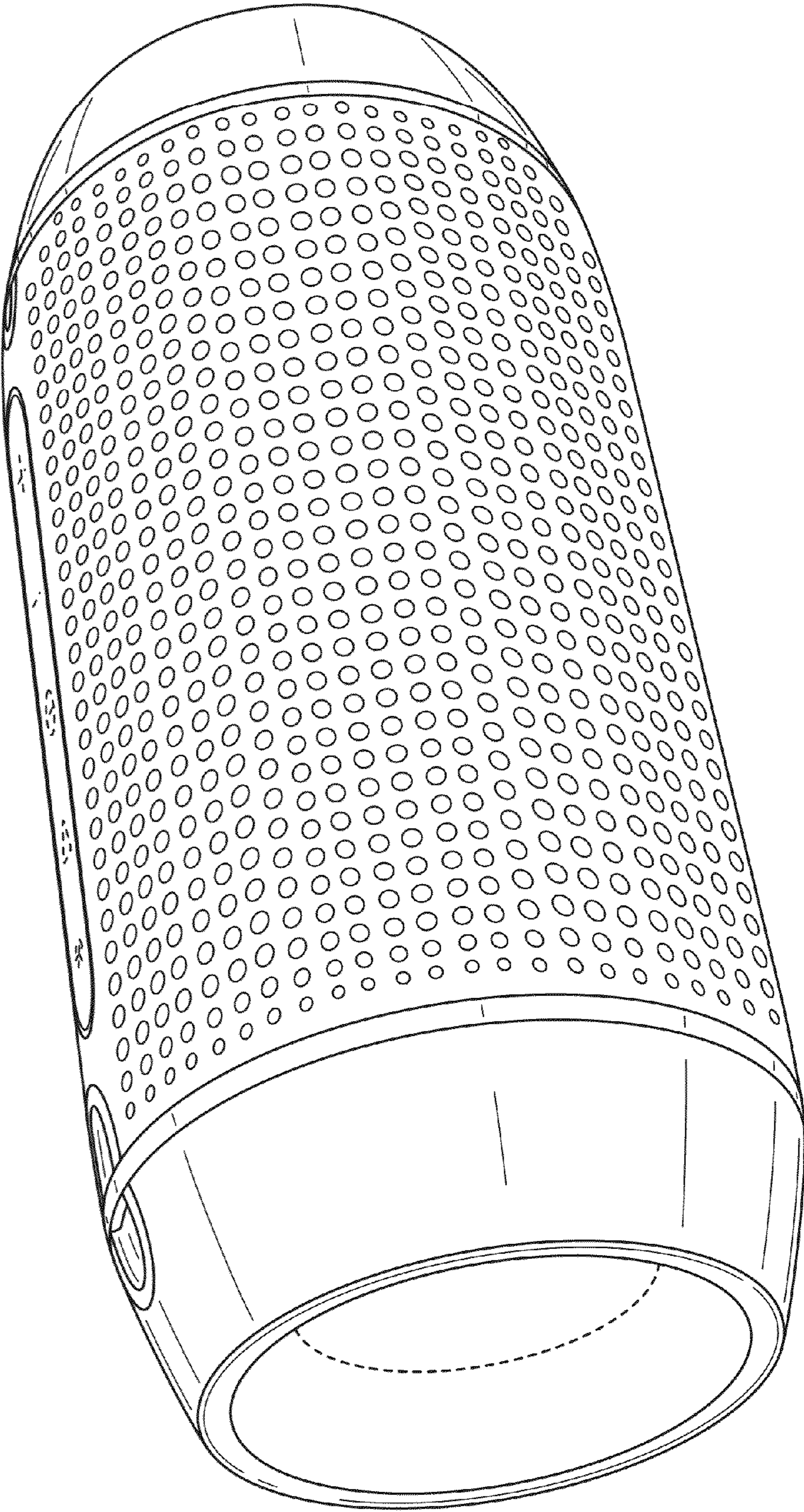


FIG. 1

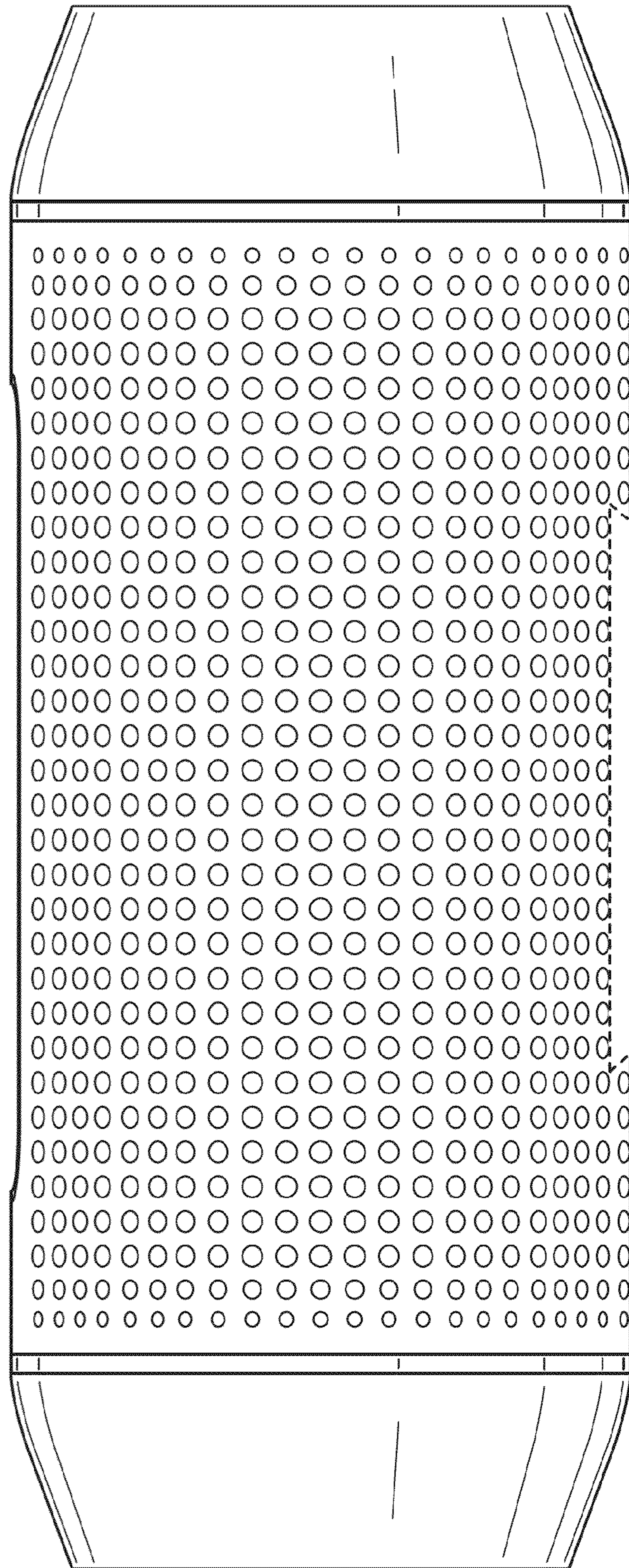


FIG. 2

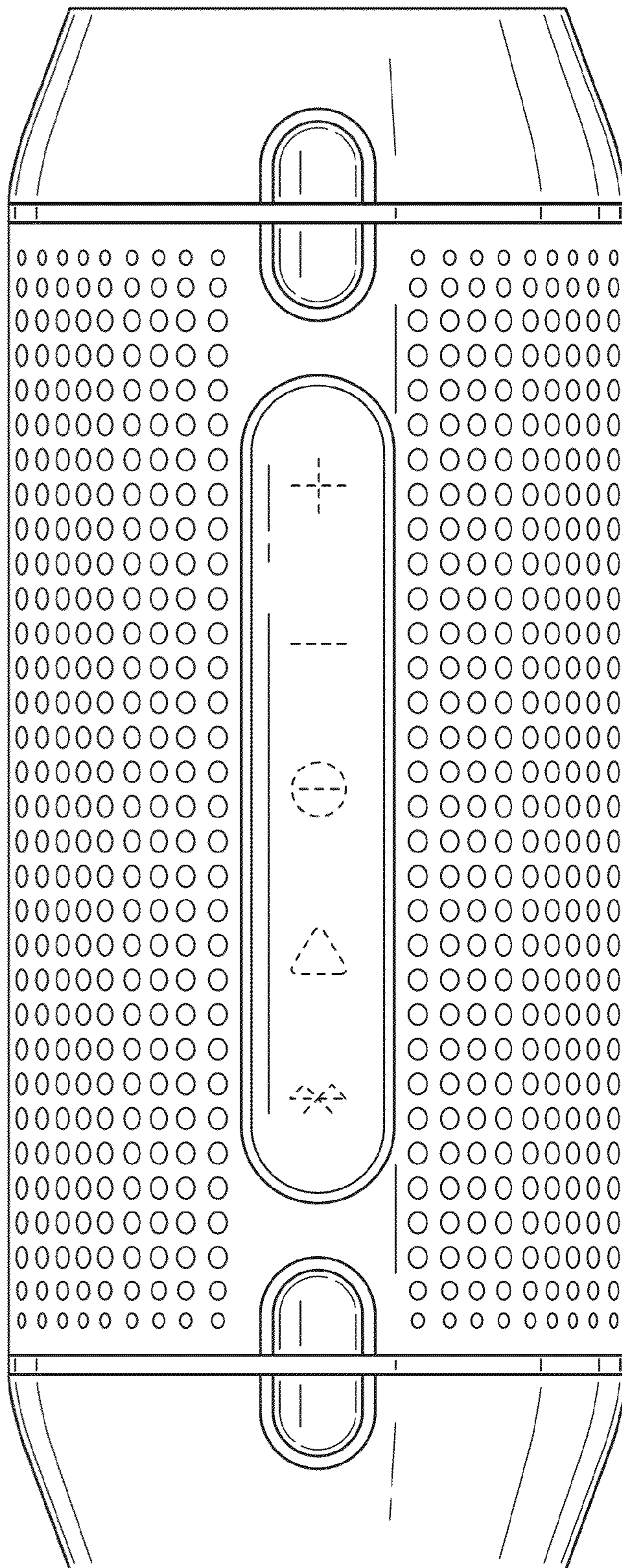
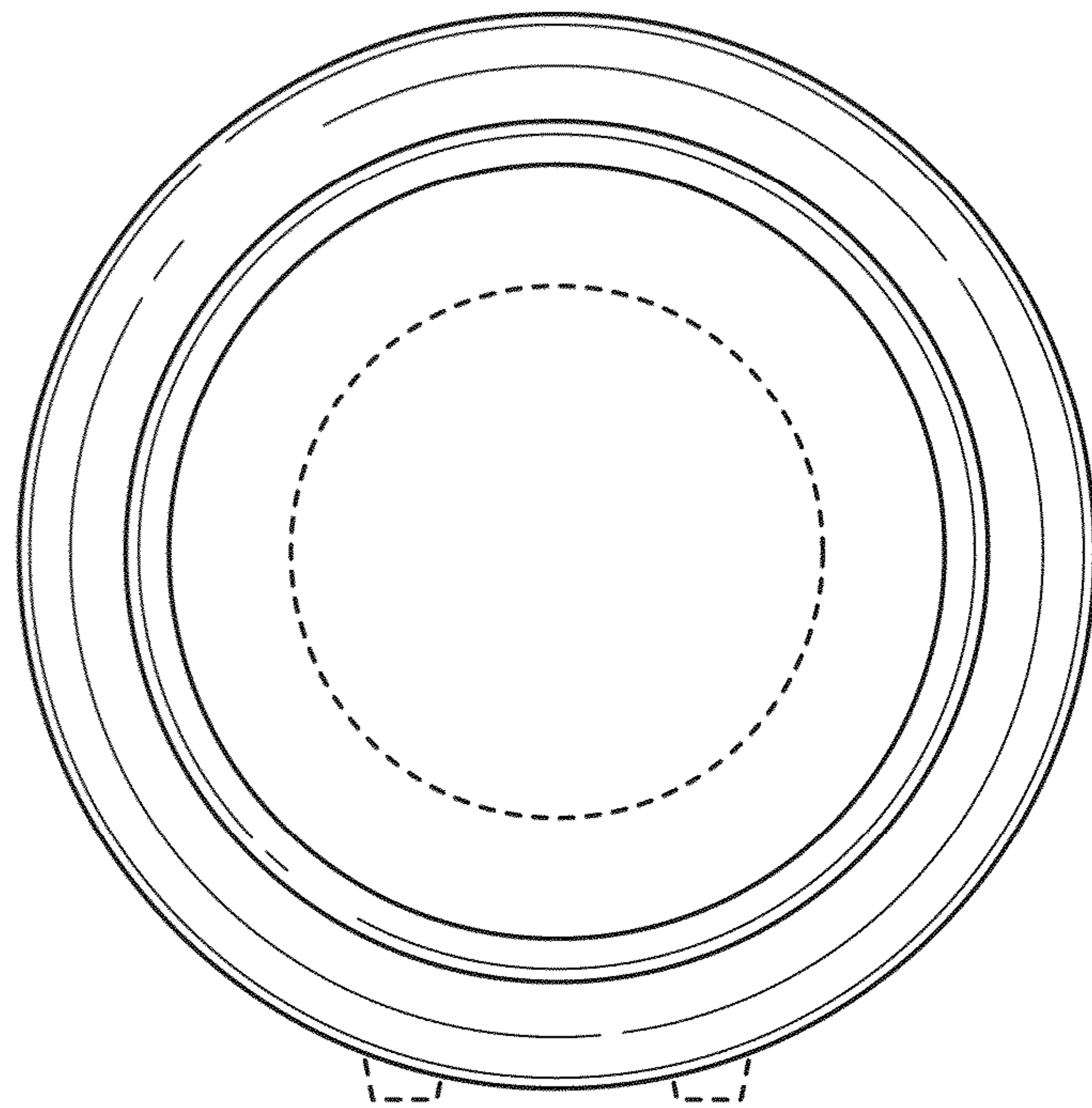


FIG. 3



**FIG. 4**