



US00D722592S

(12) **United States Design Patent**  
**Nagaoka**

(10) **Patent No.:** **US D722,592 S**

(45) **Date of Patent:** **\*\* Feb. 17, 2015**

(54) **SPEAKER BOX**

(71) Applicant: **BIOPHRAGM Co., Inc.**,  
Nishinomiya-shi, Hyogo (JP)

(72) Inventor: **Tadashi Nagaoka**, Nishinomiya (JP)

(73) Assignee: **BIOPHRAGM Co., Inc.**, Hyogo (JP)

(\*\*) Term: **14 Years**

(21) Appl. No.: **29/453,612**

(22) Filed: **May 1, 2013**

(30) **Foreign Application Priority Data**

Dec. 19, 2012 (JP) ..... D2012-030902

(51) **LOC (10) Cl.** ..... **14-03**

(52) **U.S. Cl.**  
USPC ..... **D14/215**

(58) **Field of Classification Search**  
USPC ..... D14/167, 168, 170-172, 188, 194-196,  
D14/204, 207, 209.1, 210-216, 219, 221,  
D14/222, 224, 496; 181/143, 144, 147, 148,  
181/150, 153, 157, 198, 199; 381/300-303,  
381/306, 332, 333, 336, 345, 361-364,  
381/386-388; 369/6-12

See application file for complete search history.

(56) **References Cited**

U.S. PATENT DOCUMENTS

4,073,365	A *	2/1978	Johnson	.....	181/147
4,083,426	A *	4/1978	Peugh	.....	181/156
D358,392	S *	5/1995	Yamazaki	.....	D14/213
D394,860	S *	6/1998	Kitsmiller et al.	.....	D14/214
D671,526	S *	11/2012	Lee et al.	.....	D14/215

OTHER PUBLICATIONS

“Astera”—electronic catalog from website of Diapason.

\* cited by examiner

*Primary Examiner* — Keli L Hill

(74) *Attorney, Agent, or Firm* — Gerald E. Hespos; Michael J. Porco; Matthew T. Hespos

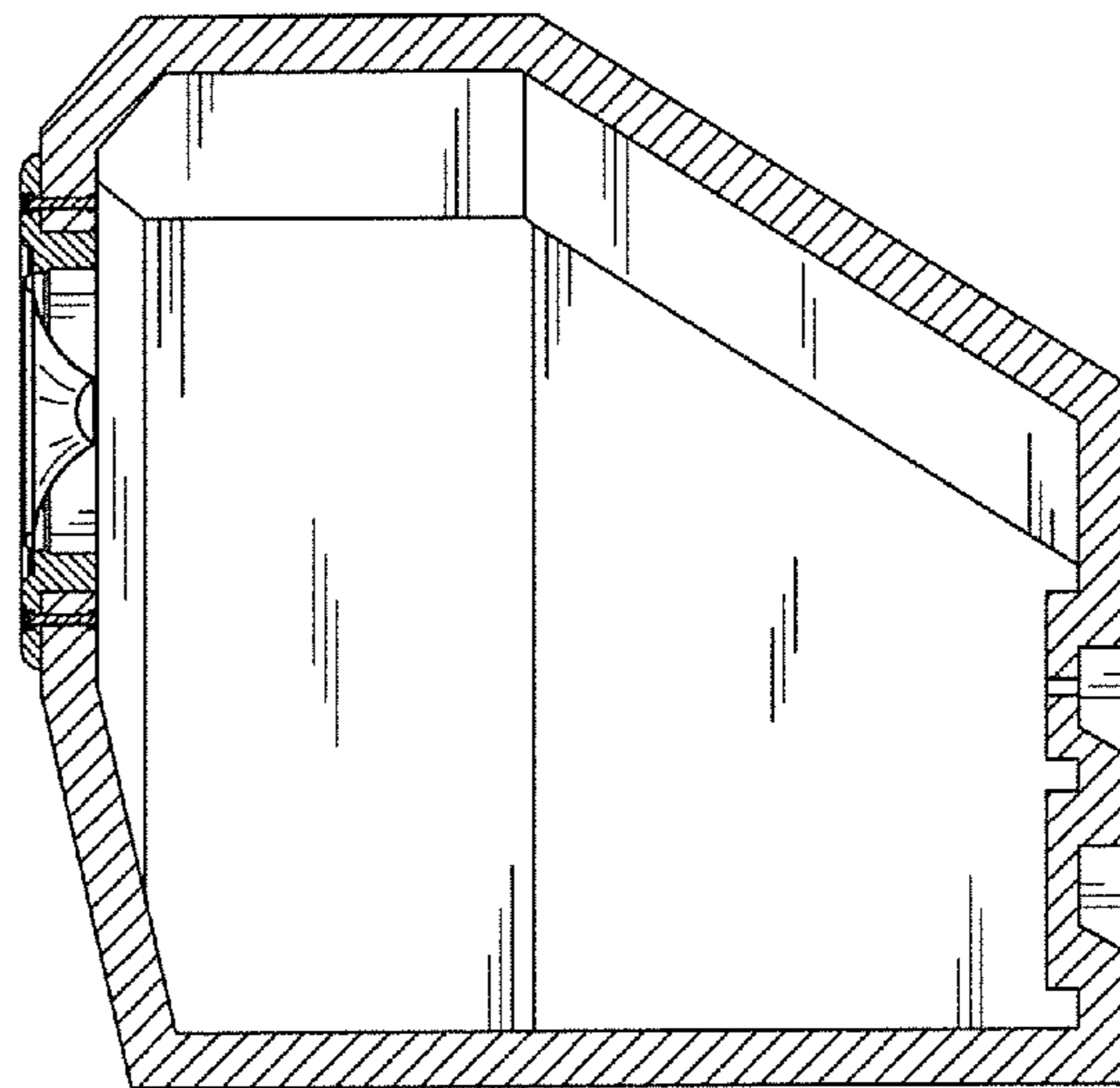
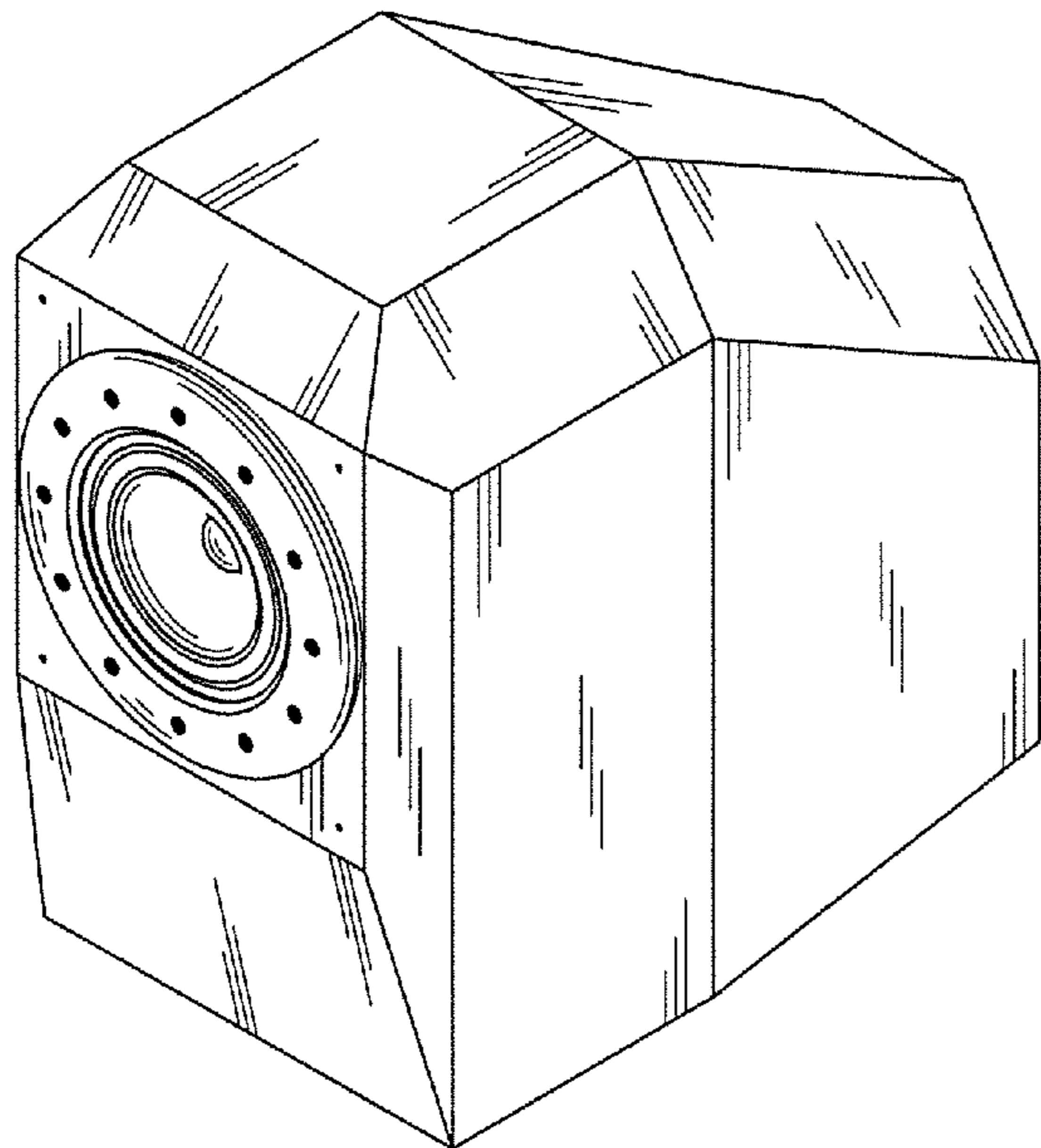
(57) **CLAIM**

The ornamental design for a speaker box, as shown and described.

**DESCRIPTION**

FIG. 1 is a perspective view of a speaker box;  
FIG. 2 is a front view thereof;  
FIG. 3 is a rear view thereof;  
FIG. 4 is a left side view thereof, the opposite side being a mirror image of the side shown herein;  
FIG. 5 is a top view thereof;  
FIG. 6 is bottom view thereof; and,  
FIG. 7 is a cross-sectional view taken in the direction of line 7-7 in FIG. 2, in which the internal mechanism is omitted.

**1 Claim, 5 Drawing Sheets**



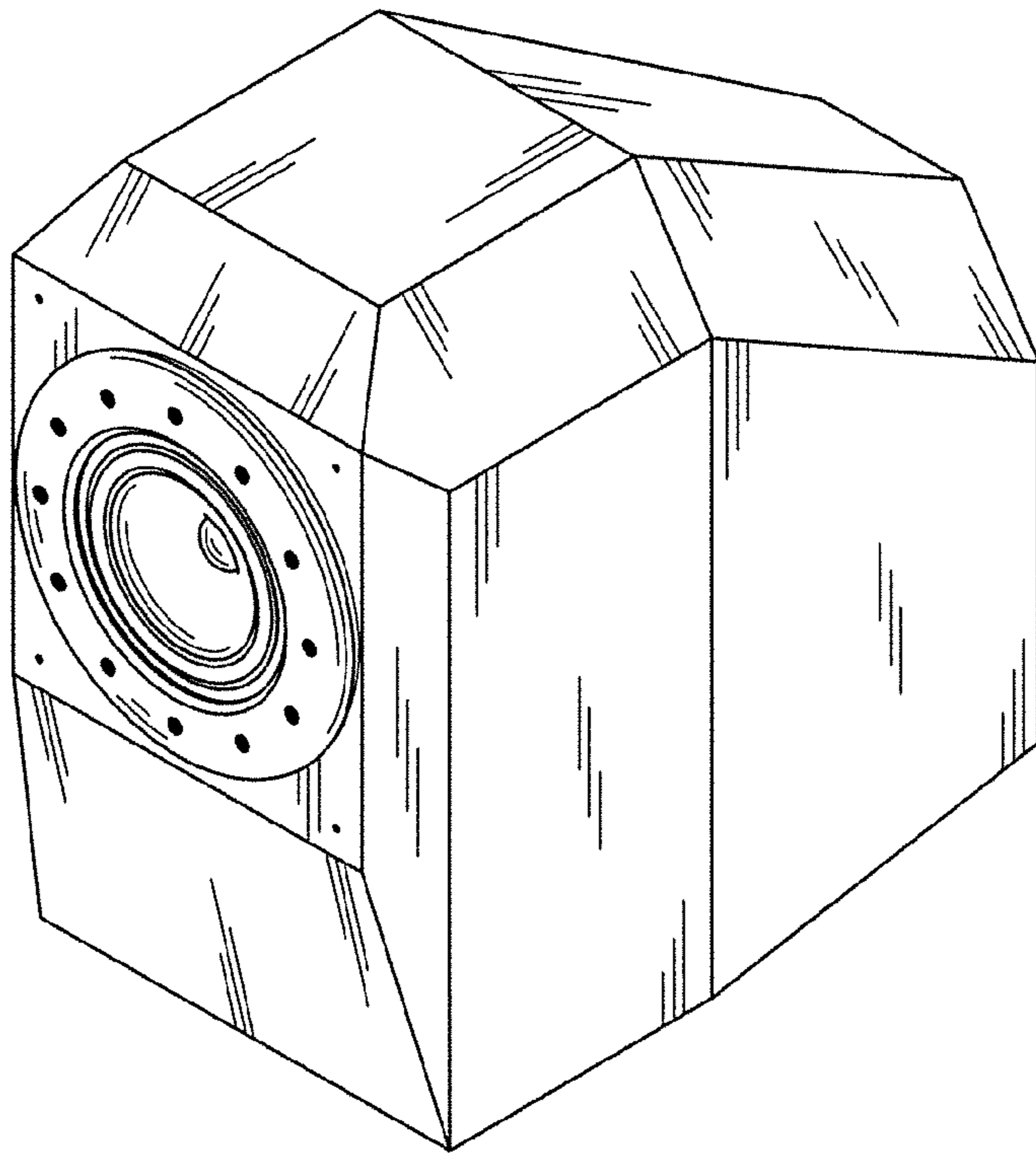


FIG.1

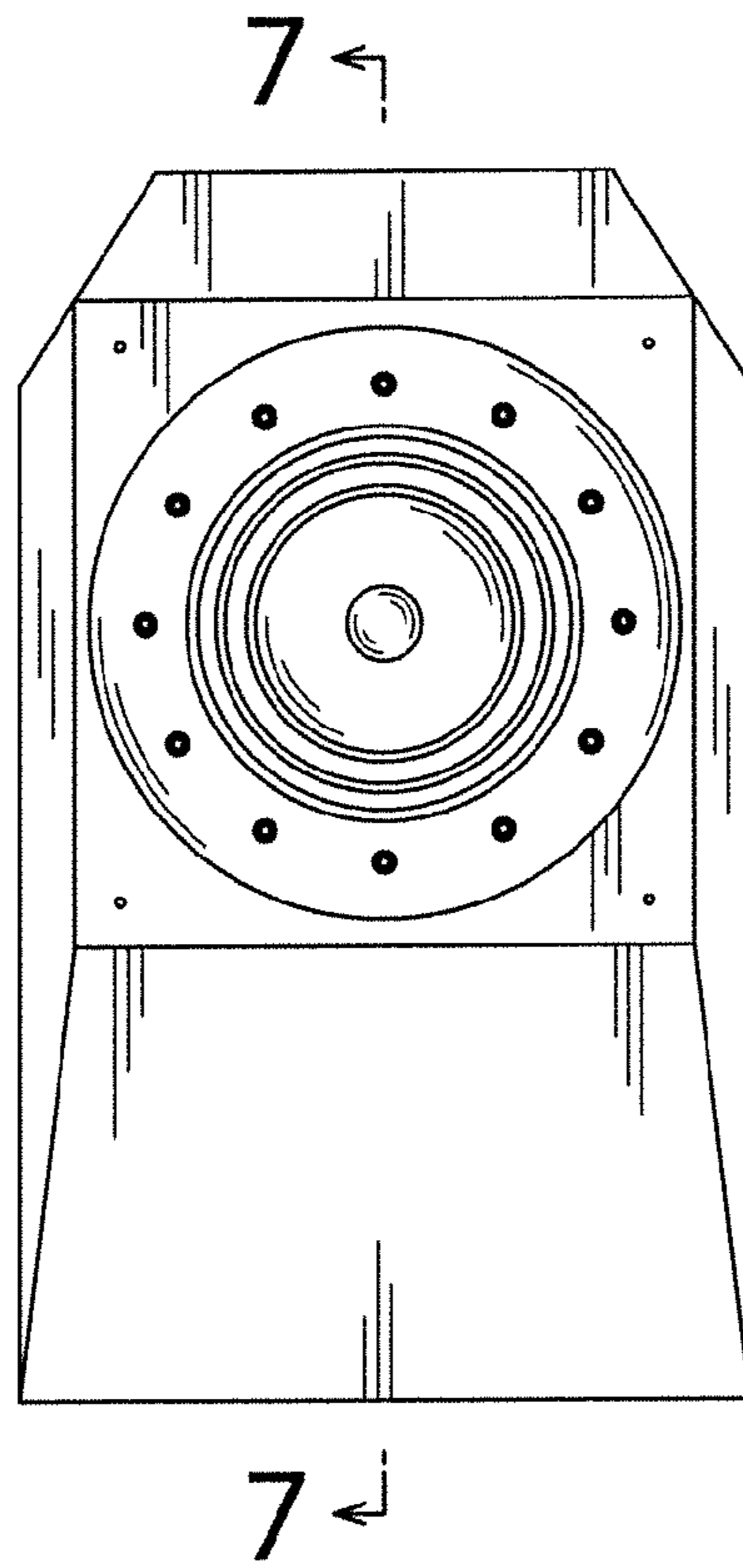


FIG.2

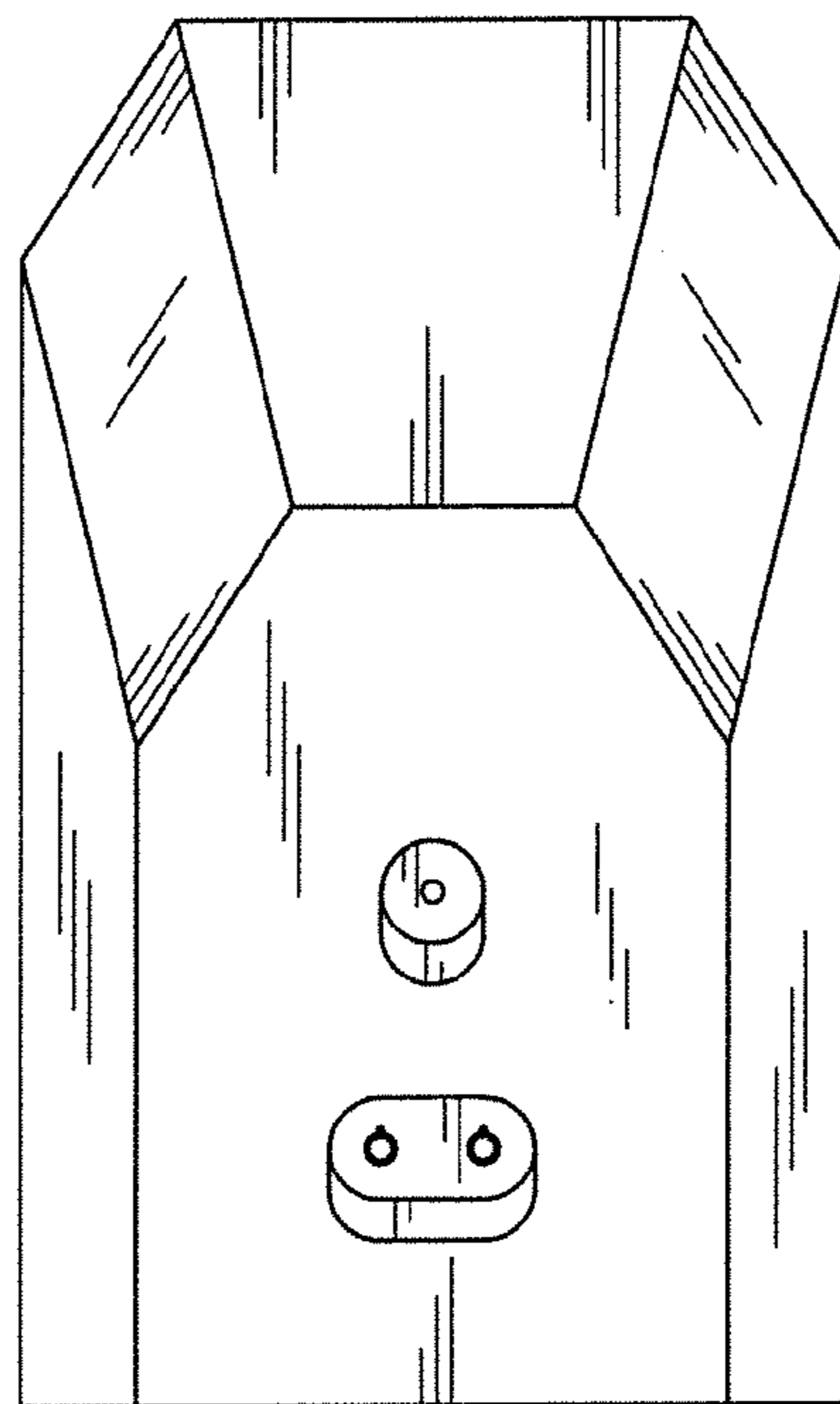


FIG.3

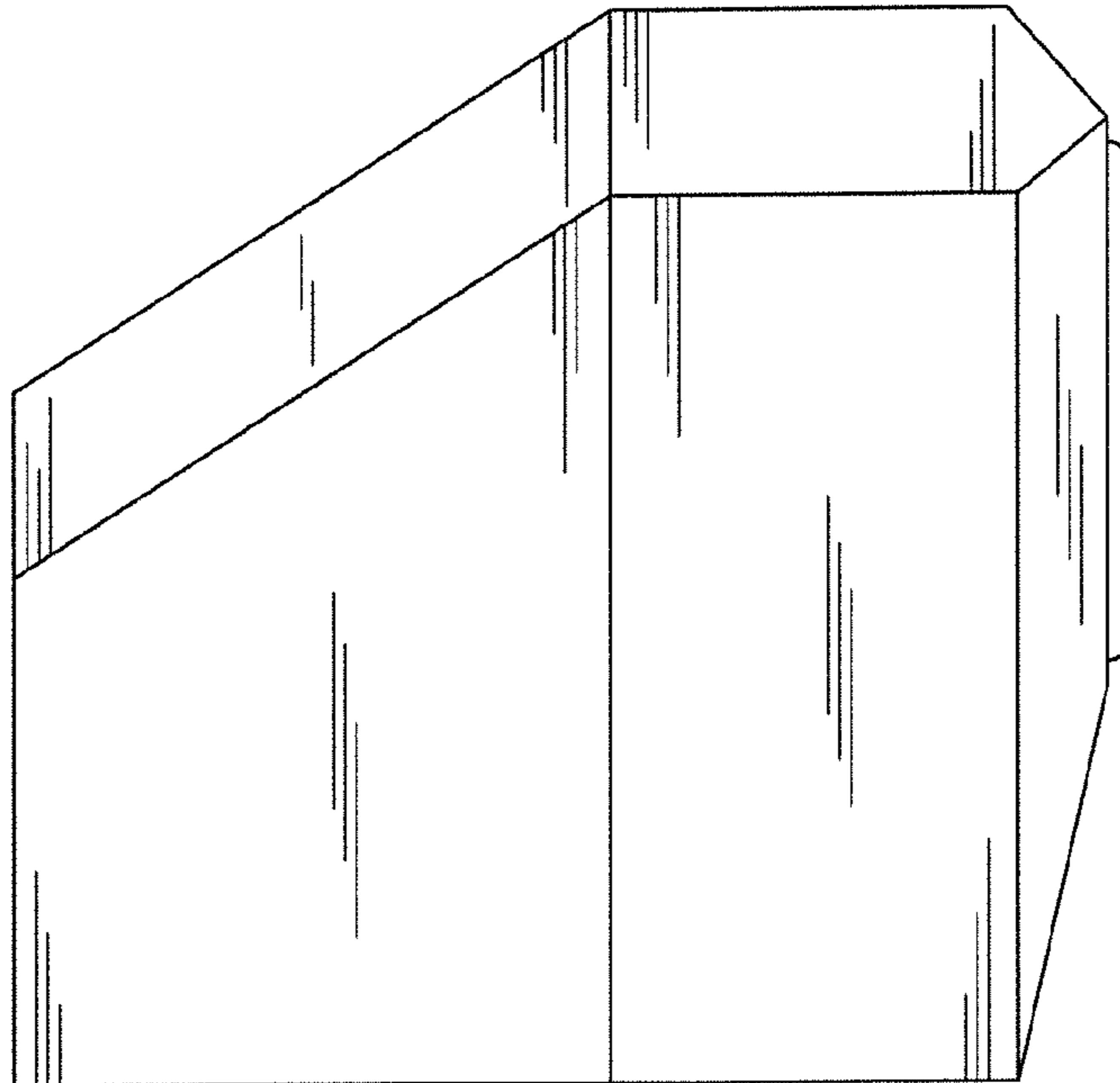


FIG.4

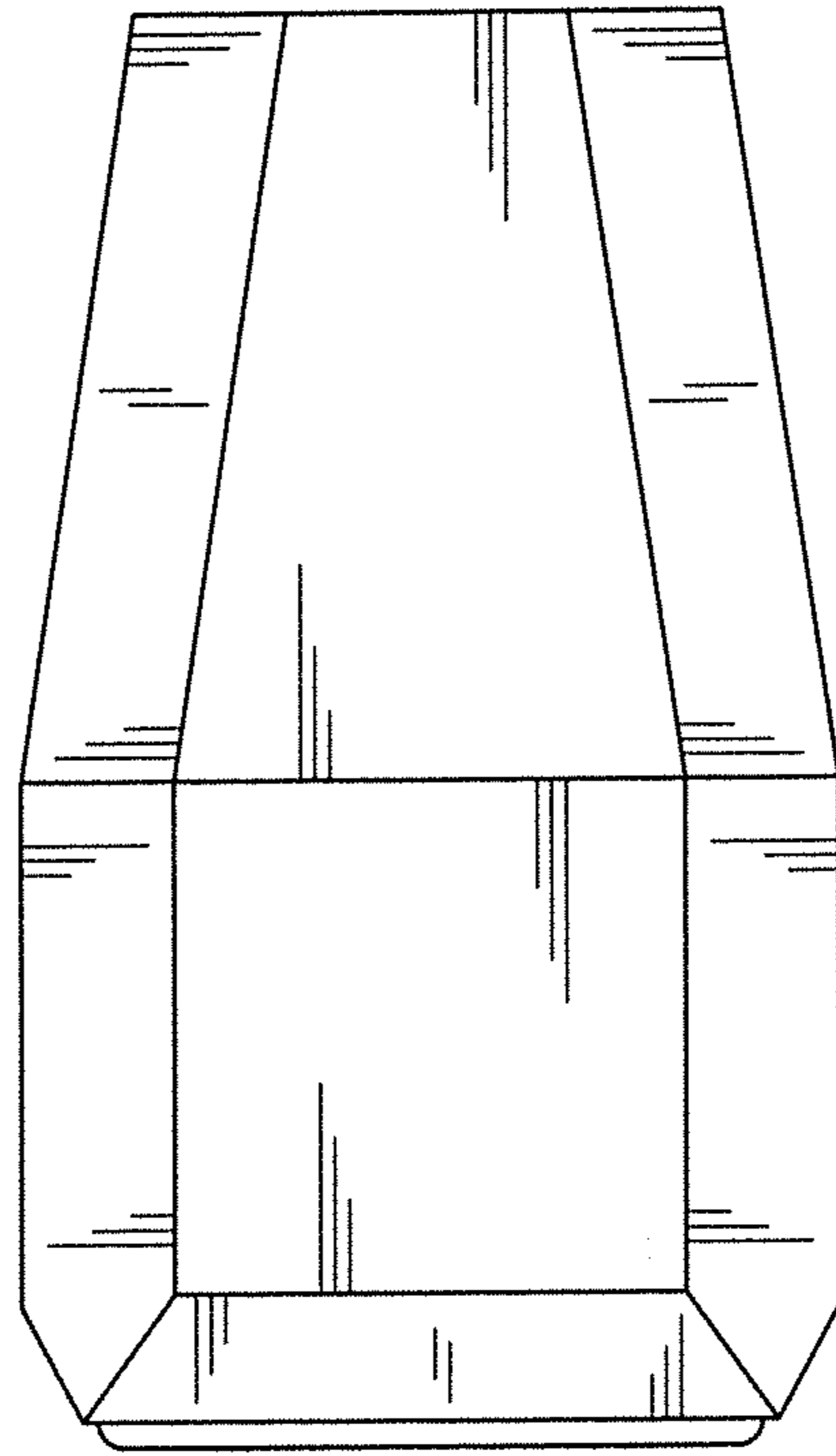


FIG. 5

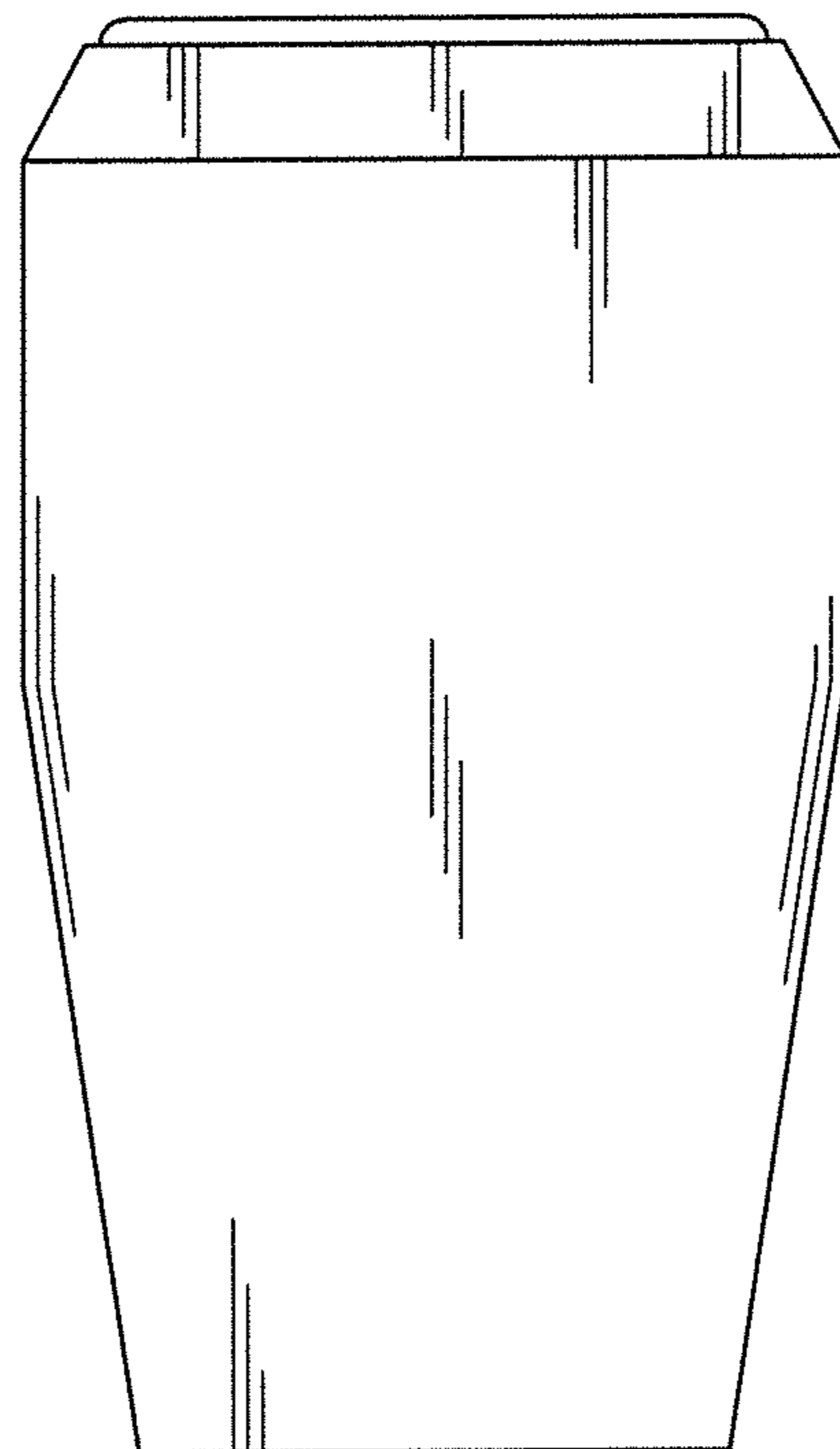


FIG. 6

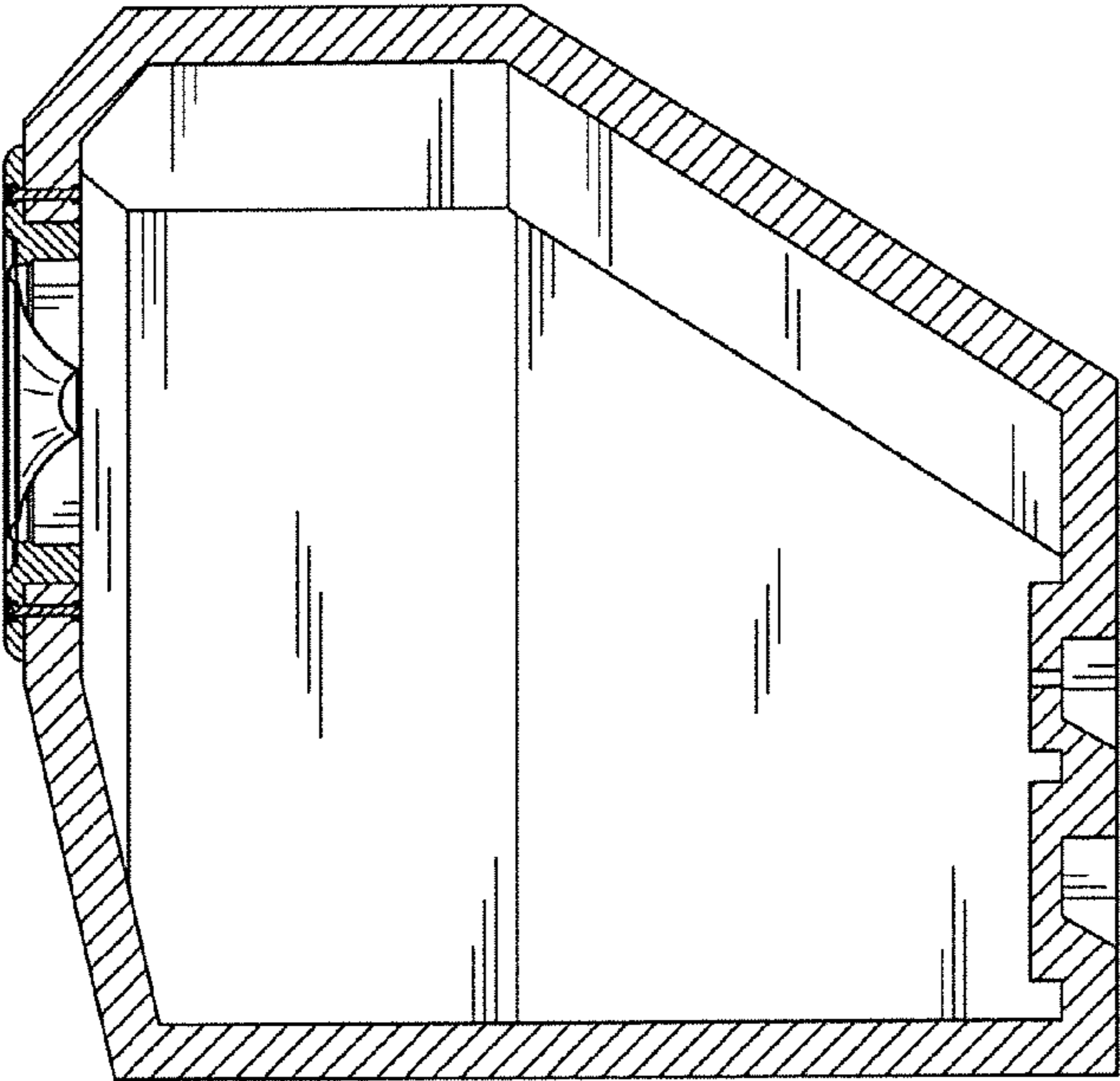


FIG.7