



US00D722590S

(12) **United States Design Patent**  
**Lu**

(10) **Patent No.:** **US D722,590 S**  
(45) **Date of Patent:** **\*\* Feb. 17, 2015**

(54) **HEADPHONE**

(71) Applicant: **Koninklijke Philips N.V.**, Eindhoven (NL)

(72) Inventor: **Luke Lu**, Hong Kong (CN)

(73) Assignee: **Koninklijke Philips N.V.**, Eindhoven (NL)

(\*\*) Term: **14 Years**

(21) Appl. No.: **29/480,907**

(22) Filed: **Jan. 30, 2014**

(30) **Foreign Application Priority Data**

Jul. 31, 2013 (EM) ..... 002284695-0003

(51) **LOC (10) Cl.** ..... **14-01**

(52) **U.S. Cl.**  
USPC ..... **D14/205**

(58) **Field of Classification Search**  
CPC ..... H04R 1/1066  
USPC ..... D14/205, 206; 181/129, 130, 135;  
379/430, 431; 381/380, 381, 374;  
455/90.3, 575.1; D29/112; 2/209, 174;  
132/212

See application file for complete search history.

(56) **References Cited**

**U.S. PATENT DOCUMENTS**

1,606,165	A *	11/1926	Glenn	.....	381/384
2,149,341	A *	3/1939	Harrison	.....	381/379
2,593,892	A *	4/1952	Kindel	.....	181/129
2,954,442	A *	9/1960	Mickenberg	.....	2/410
3,211,160	A *	10/1965	Miller	.....	132/275
3,408,658	A *	11/1968	Beguín et al.	.....	2/209
3,505,684	A *	4/1970	Hutchinson et al.	.....	2/209
5,018,599	A *	5/1991	Dohi et al.	.....	181/129
5,033,094	A *	7/1991	Hung	.....	381/379

D328,074	S *	7/1992	Yamazaki et al.	.....	D14/205
D328,461	S *	8/1992	Daido et al.	.....	D14/205
D353,818	S *	12/1994	Nakamura	.....	D14/205
5,384,857	A *	1/1995	Nordin et al.	.....	381/378
5,406,037	A *	4/1995	Nageno et al.	.....	181/129
6,611,963	B2 *	9/2003	Woo et al.	.....	2/209
D494,154	S *	8/2004	Polito	.....	D14/206
D563,382	S *	3/2008	Wikel	.....	D14/205
D581,394	S *	11/2008	Lee	.....	D14/205
D594,847	S *	6/2009	Suzuki	.....	D14/205
D632,668	S *	2/2011	Brunner et al.	.....	D14/205
D654,472	S *	2/2012	Fischer	.....	D14/206
D657,344	S *	4/2012	Brunner et al.	.....	D14/205
D657,345	S *	4/2012	Brunner et al.	.....	D14/205
D668,633	S *	10/2012	Enquist	.....	D14/205
D684,559	S *	6/2013	Groset et al.	.....	D14/205
D696,226	S *	12/2013	Brunner et al.	.....	D14/205
D700,590	S *	3/2014	Heath	.....	D14/205
D702,210	S *	4/2014	Birger	.....	D14/205

\* cited by examiner

*Primary Examiner* — Paula Greene

(74) *Attorney, Agent, or Firm* — Venable LLP; Steven J. Schwarz

(57) **CLAIM**

The ornamental design for headphone, as shown and described.

**DESCRIPTION**

FIG. 1 is a perspective view of a headphone according to an embodiment of the claimed design;  
FIG. 2 is a front elevational view of the headphone of FIG. 1;  
FIG. 3 is a rear view elevational view of the headphone of FIG. 1;  
FIG. 4 is a left elevational view of the headphone of FIG. 1;  
FIG. 5 is a right elevational view of the headphone of FIG. 1;  
FIG. 6 is a top elevational view of the headphone of FIG. 1;  
and,  
FIG. 7 is a bottom elevational view of the headphone of FIG. 1.

**1 Claim, 5 Drawing Sheets**





FIG. 1



FIG. 2



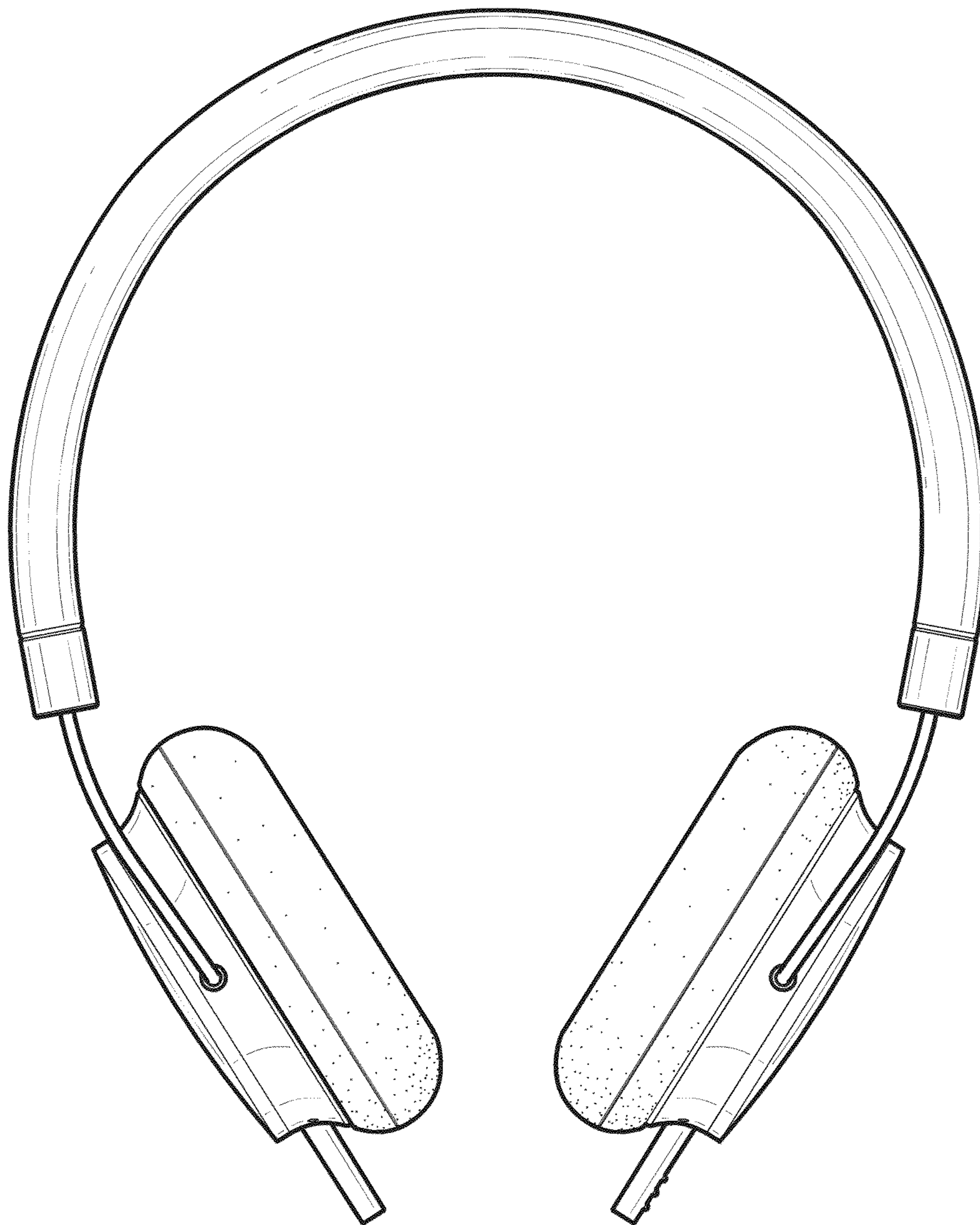


FIG. 3

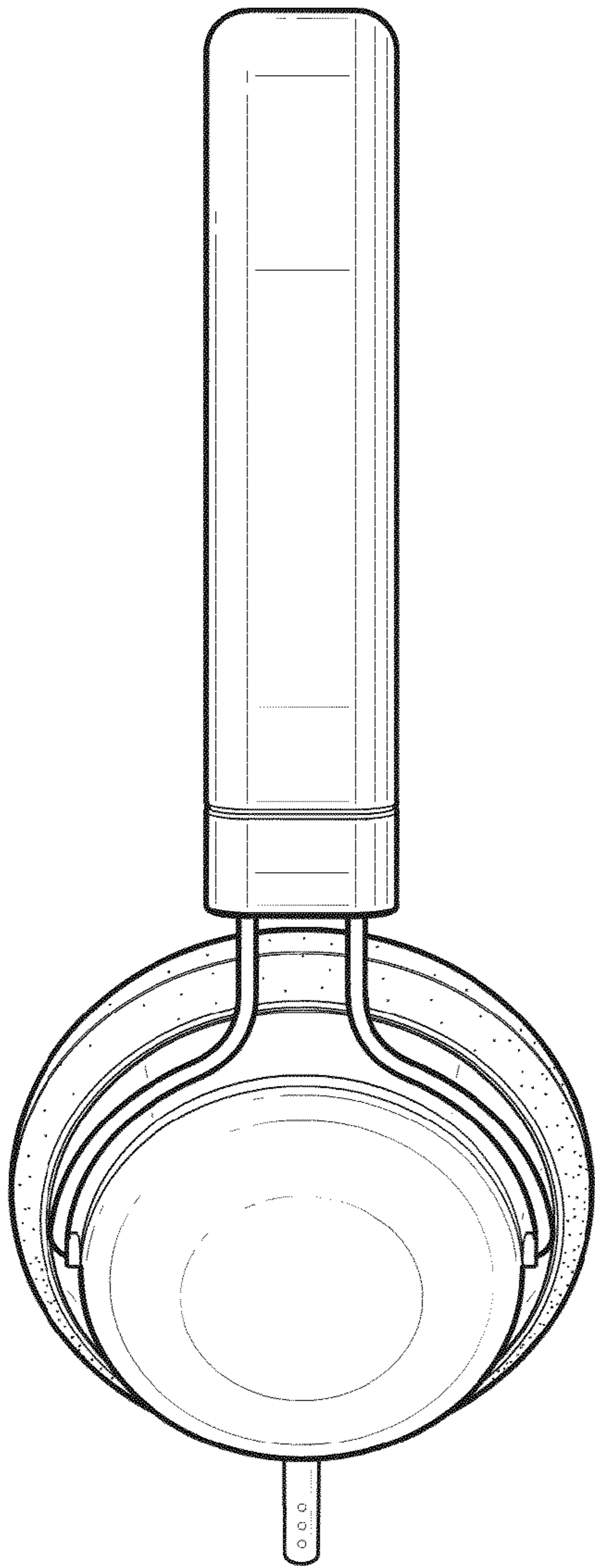


FIG. 4

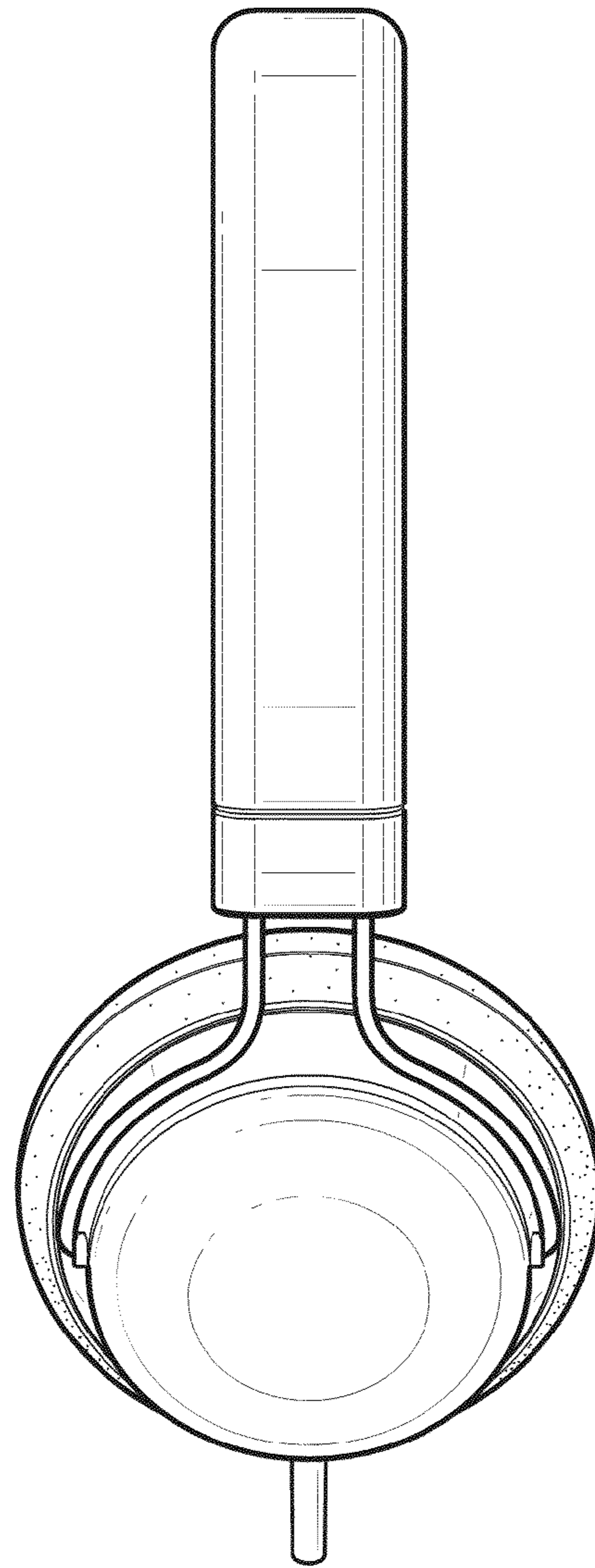


FIG. 5

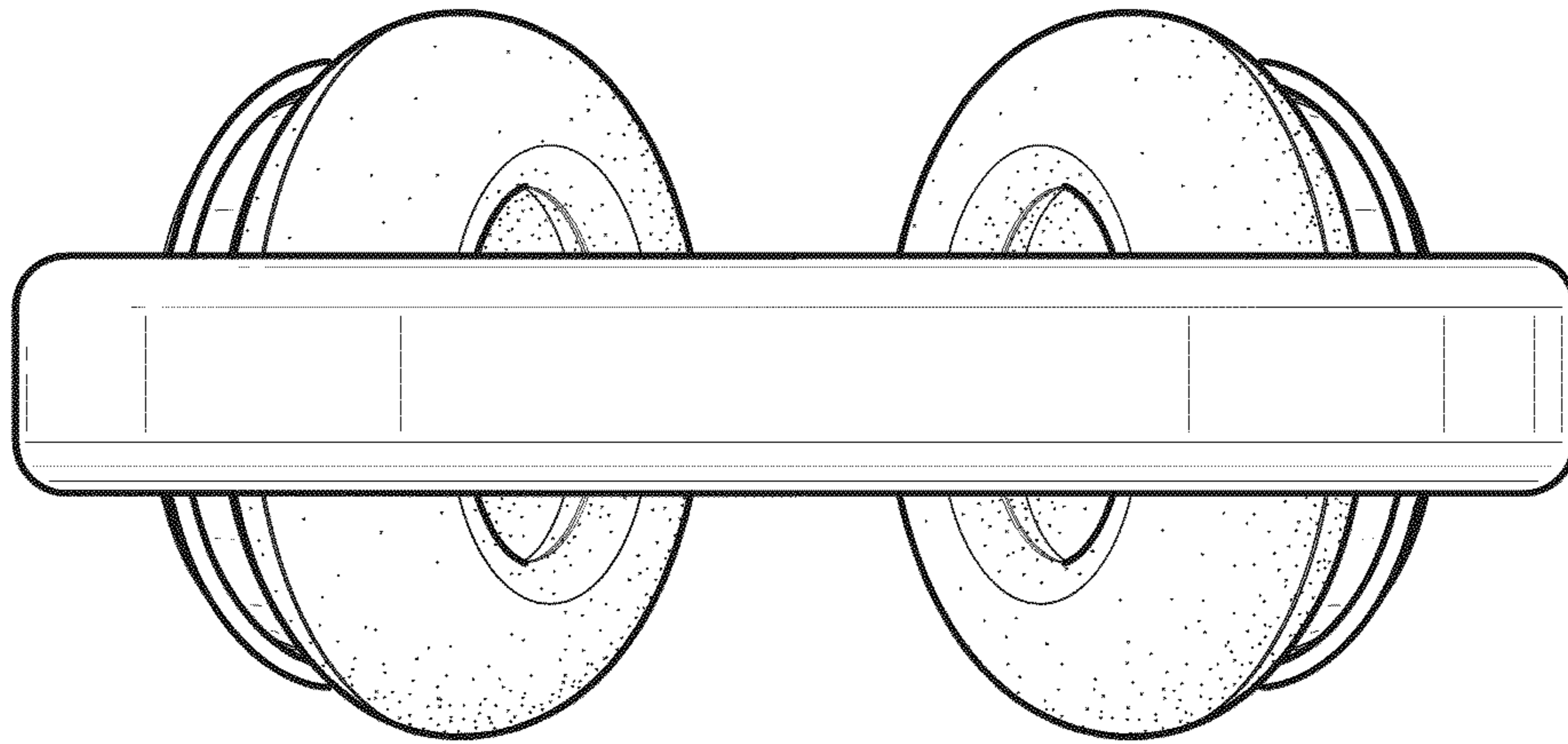


FIG. 6

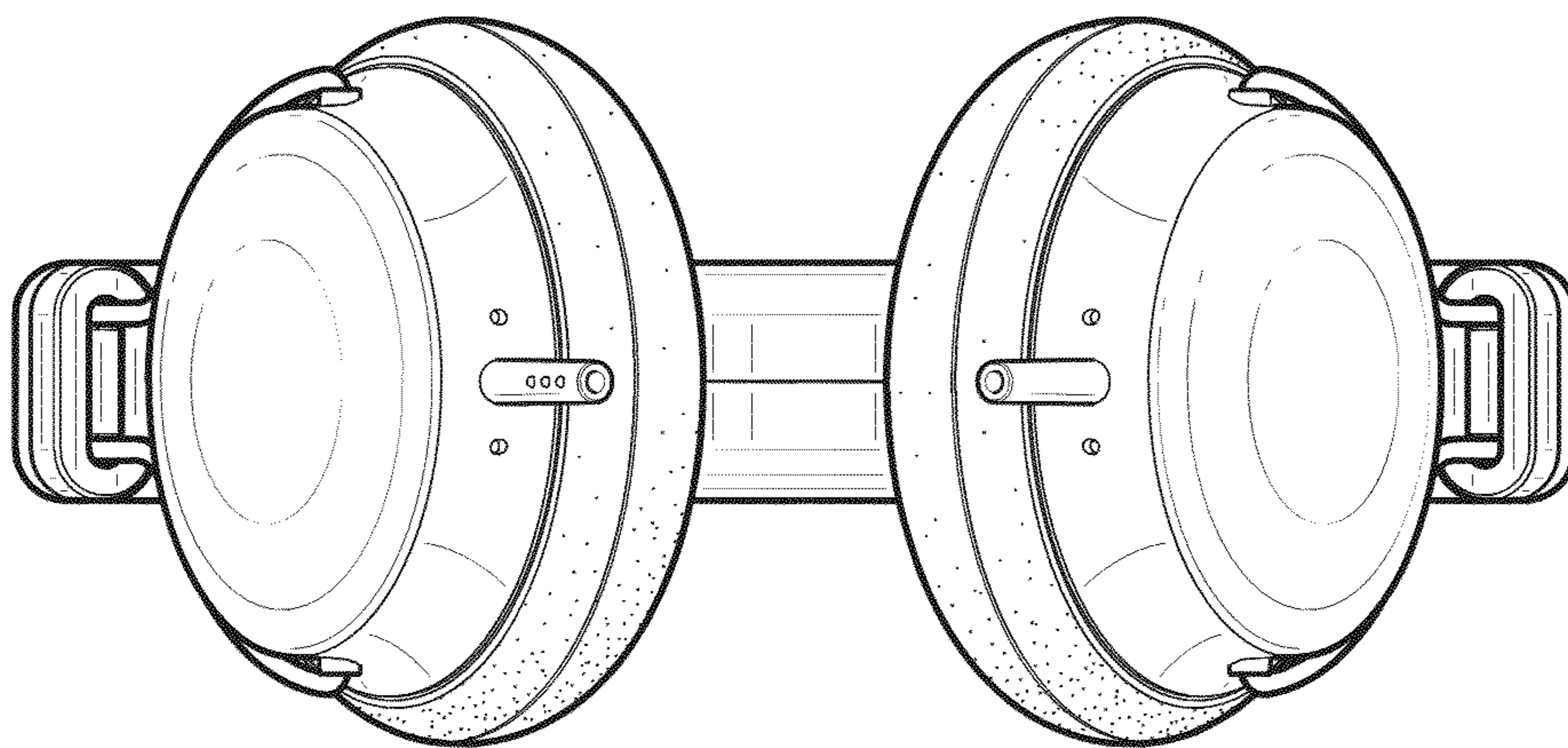


FIG. 7