



US00D722589S

(12) **United States Design Patent**
Lu

(10) **Patent No.:** **US D722,589 S**
(45) **Date of Patent:** **** Feb. 17, 2015**

(54) **HEADPHONE**

(71) Applicant: **Koninklijke Philips N.V.**, Eindhoven (NL)

(72) Inventor: **Luke Lu**, Hong Kong (CN)

(73) Assignee: **Koninklijke Philips N.V.**, Eindhoven (NL)

(**) Term: **14 Years**

(21) Appl. No.: **29/480,906**

(22) Filed: **Jan. 30, 2014**

(30) **Foreign Application Priority Data**

Jul. 31, 2013 (EM) 002284695-0004

(51) **LOC (10) Cl.** **14-01**

(52) **U.S. Cl.**
USPC **D14/205**

(58) **Field of Classification Search**
CPC H04R 1/1066
USPC D14/205, 206; D29/112; 2/209;
181/129, 130, 135; 379/430, 431;
381/380, 381, 371, 372, 374, 376, 378,
381/379; 455/90.3, 575.1
See application file for complete search history.

(56) **References Cited**

U.S. PATENT DOCUMENTS

1,483,315	A *	2/1924	Saal	381/378
1,555,997	A *	10/1925	Lidberg	381/378
2,149,341	A *	3/1939	Harrison	381/379
2,314,782	A *	3/1943	Goretsky	2/209
2,420,245	A *	5/1947	Hurst	2/209
2,501,107	A *	3/1950	Volkman	381/378
2,593,892	A *	4/1952	Kindel	181/129
2,754,519	A *	7/1956	Kindel	2/209

3,356,797	A *	12/1967	Konzelmann et al.	379/430
3,505,684	A *	4/1970	Hutchinson et al.	2/209
D228,352	S *	9/1973	Itagaki	D14/205
3,908,200	A *	9/1975	Lundin	2/209
4,453,050	A *	6/1984	Enokido	381/381
4,459,707	A *	7/1984	Stallings	2/209
4,471,496	A *	9/1984	Gardner et al.	2/209
D323,043	S *	1/1992	Lofton	D29/112
D358,389	S *	5/1995	Isono	D14/205
6,353,938	B1 *	3/2002	Young	2/209
D457,512	S *	5/2002	Yoneda	D14/205
D684,559	S *	6/2013	Groset et al.	D14/205
D686,593	S *	7/2013	Larsen	D14/205
8,620,007	B2 *	12/2013	Lee et al.	381/104
D700,162	S *	2/2014	Takahashi	D14/138 G
8,755,555	B2 *	6/2014	Dougherty et al.	381/378
D714,756	S *	10/2014	Xiang et al.	D14/205

* cited by examiner

Primary Examiner — Paula Greene

(74) *Attorney, Agent, or Firm* — Venable LLP; Steven J. Schwarz

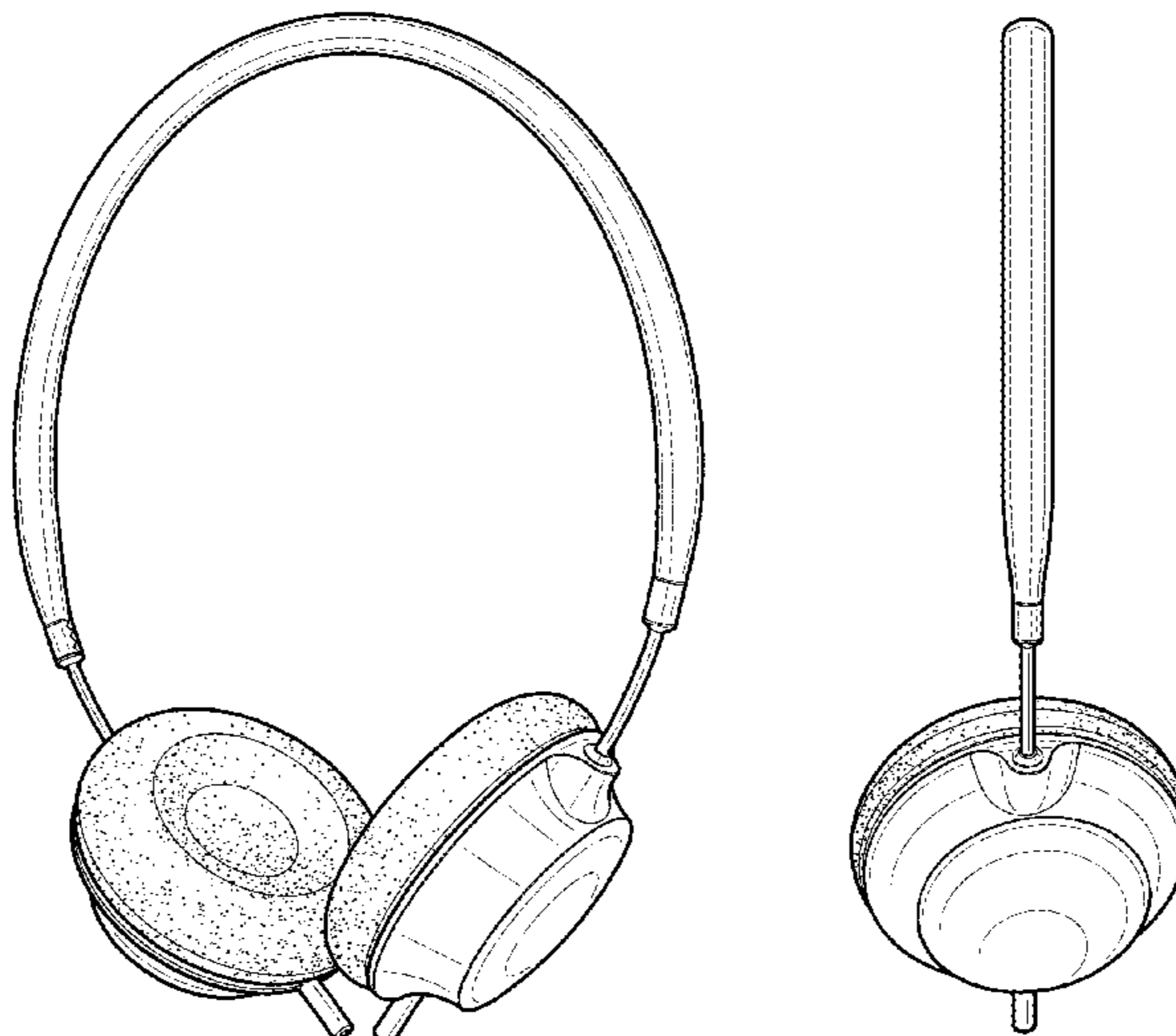
(57) **CLAIM**

The ornamental design for headphone, as shown and described.

DESCRIPTION

FIG. 1 is a perspective view of a headphone according to an embodiment of the claimed design;
FIG. 2 is a front elevational view of the headphone of FIG. 1;
FIG. 3 is a rear view elevational view of the headphone of FIG. 1;
FIG. 4 is a left elevational view of the headphone of FIG. 1;
FIG. 5 is a right elevational view of the headphone of FIG. 1;
FIG. 6 is a top elevational view of the headphone of FIG. 1; and,
FIG. 7 is a bottom elevational view of the headphone of FIG. 1.

1 Claim, 5 Drawing Sheets



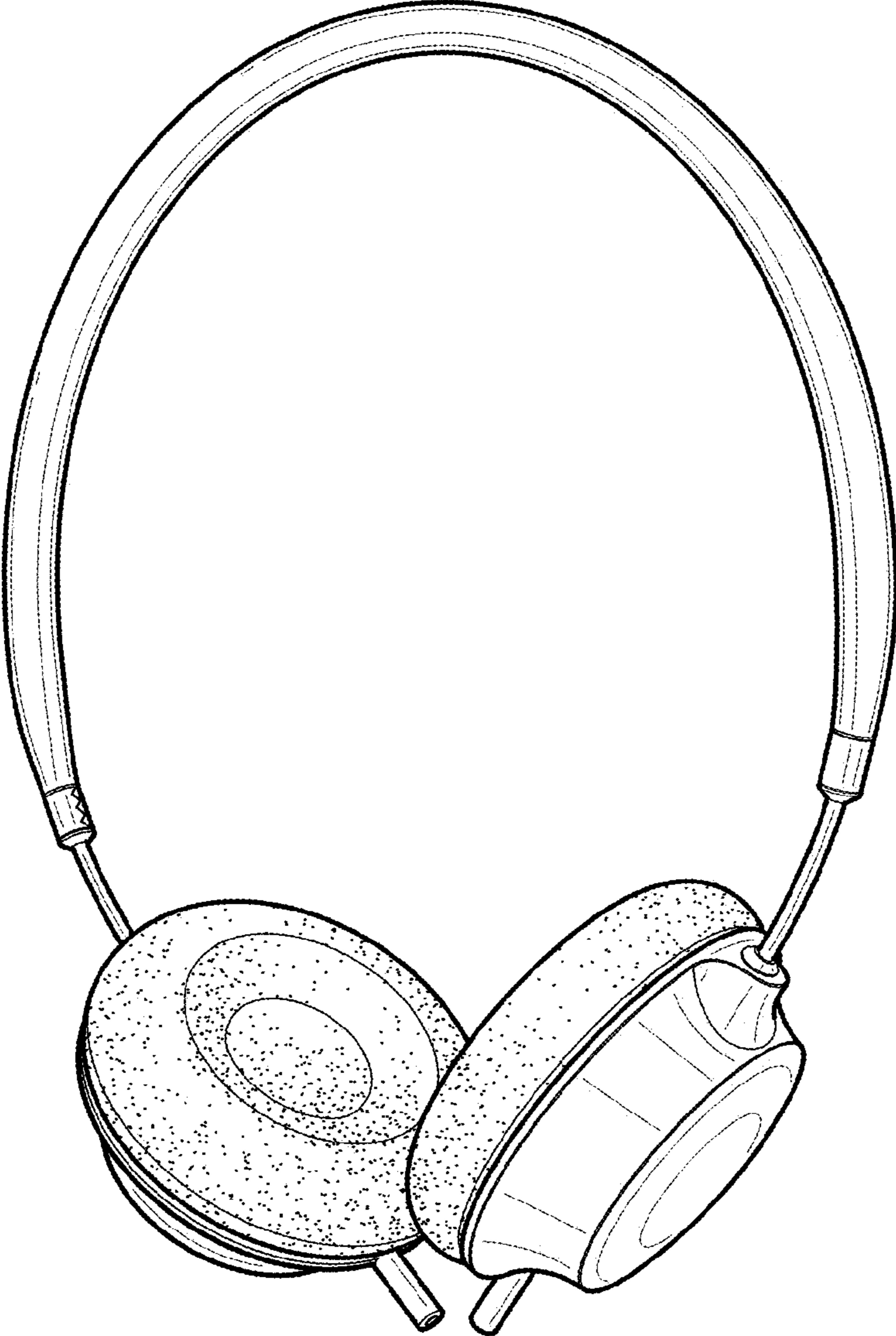


FIG. 1

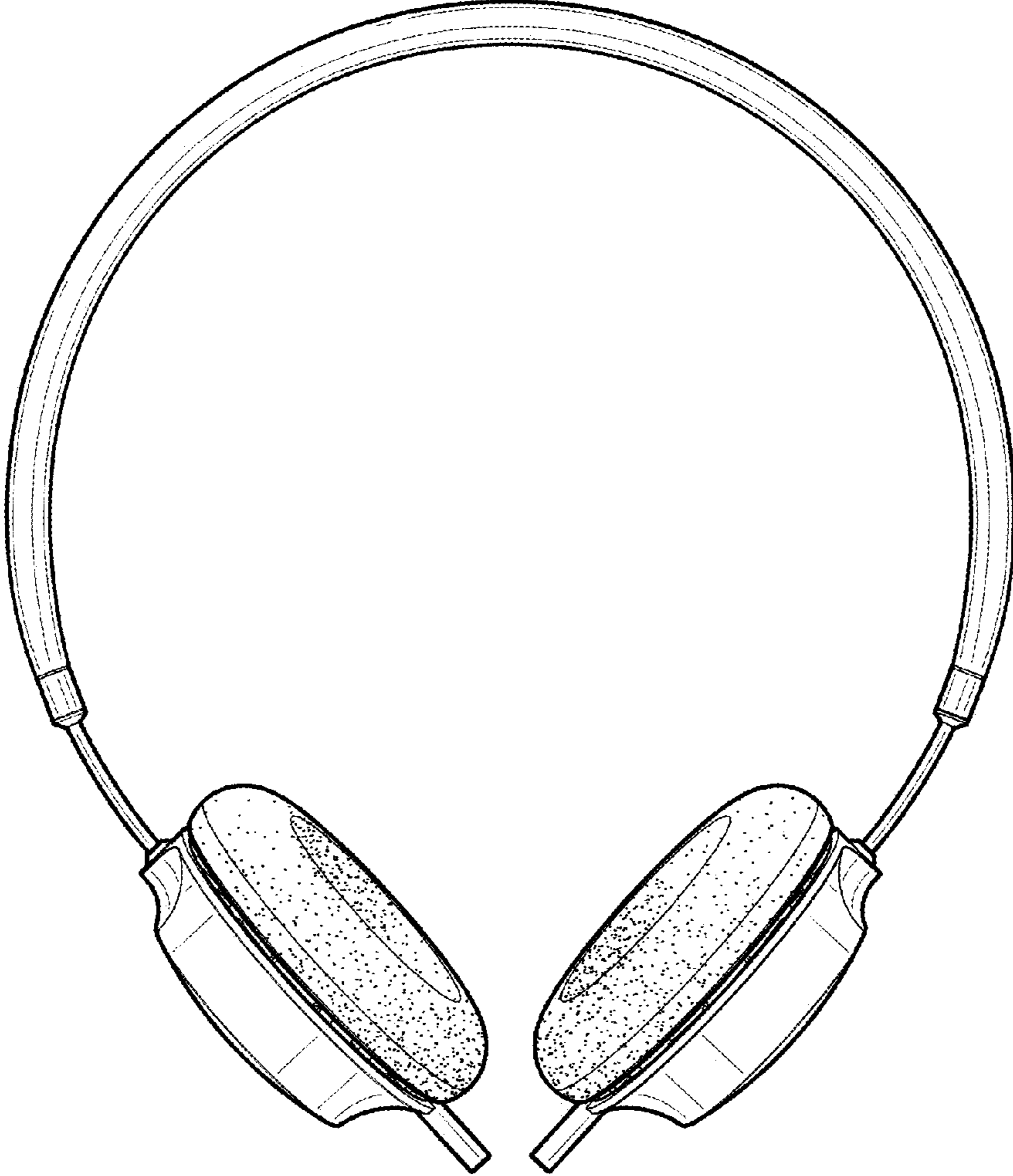


FIG. 2

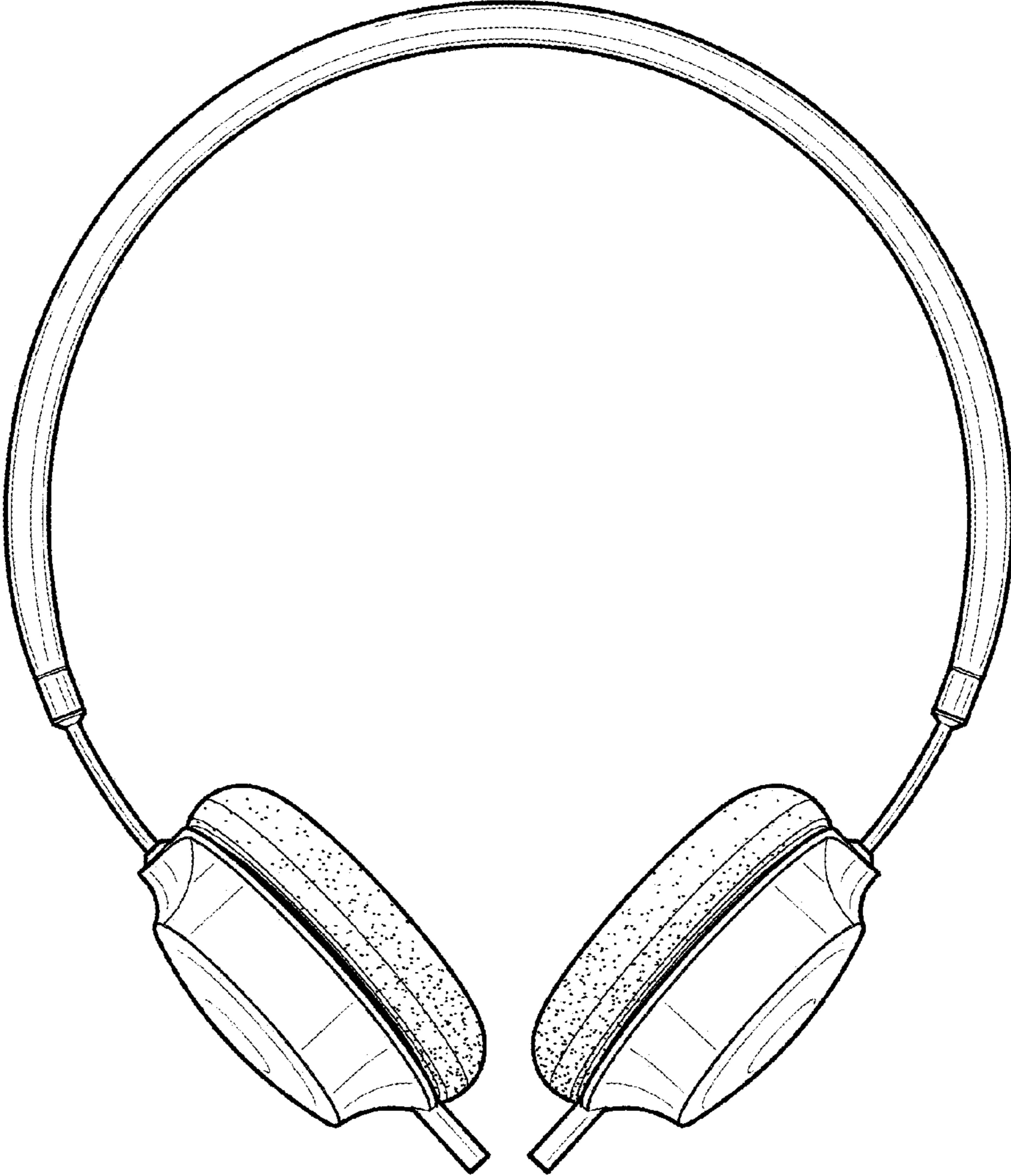


FIG. 3

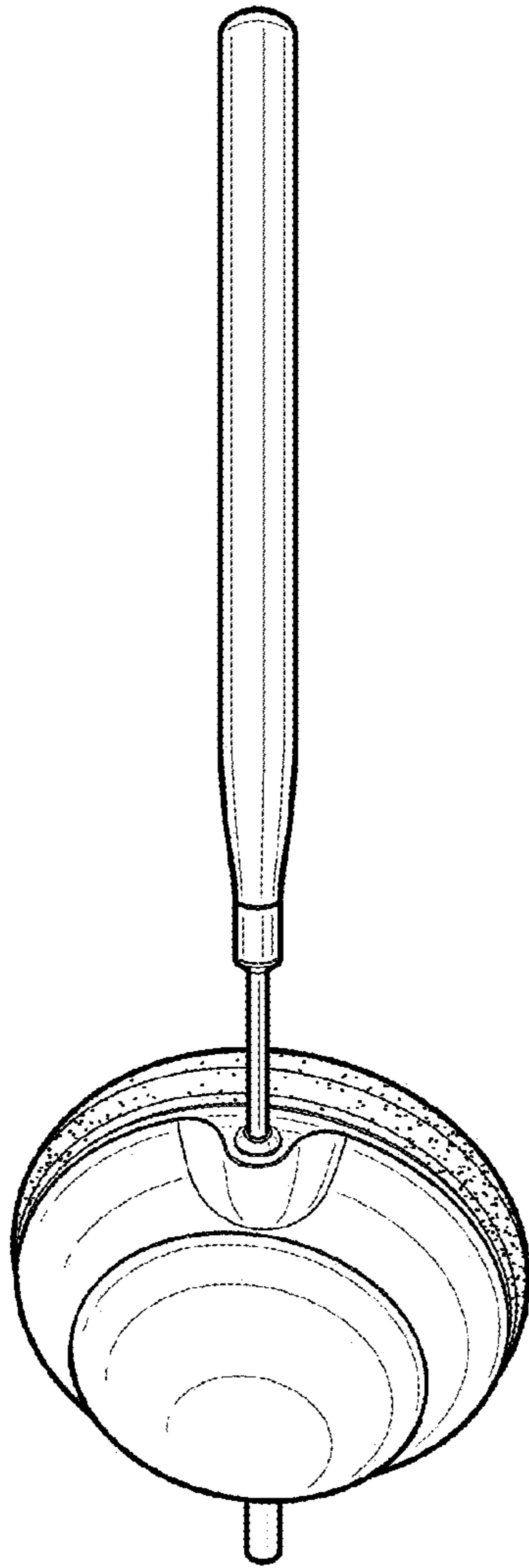


FIG. 4

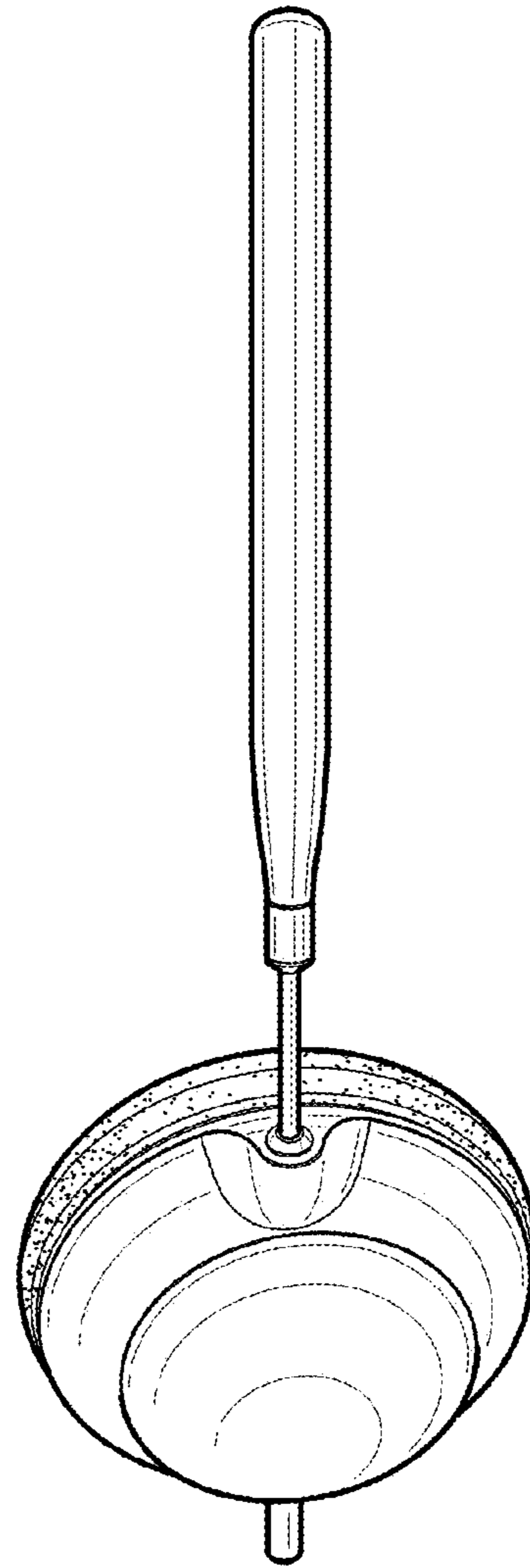


FIG. 5

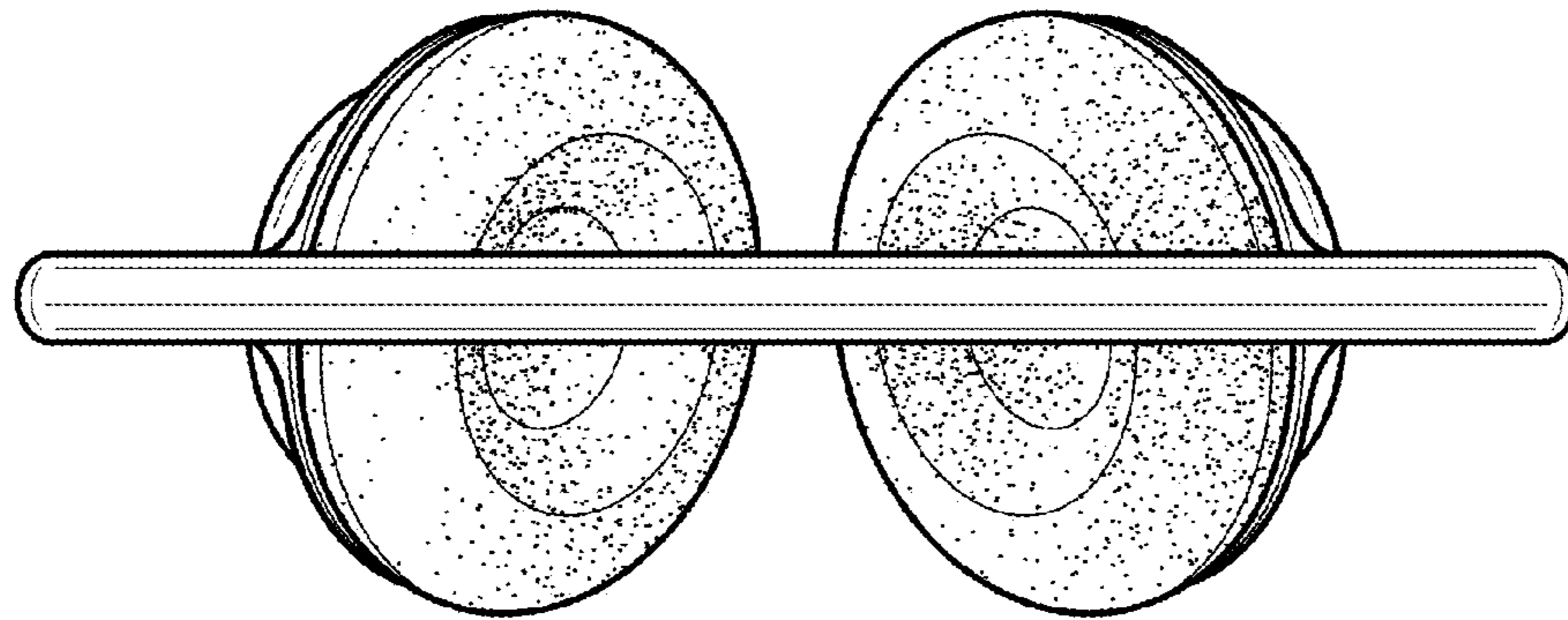


FIG. 6

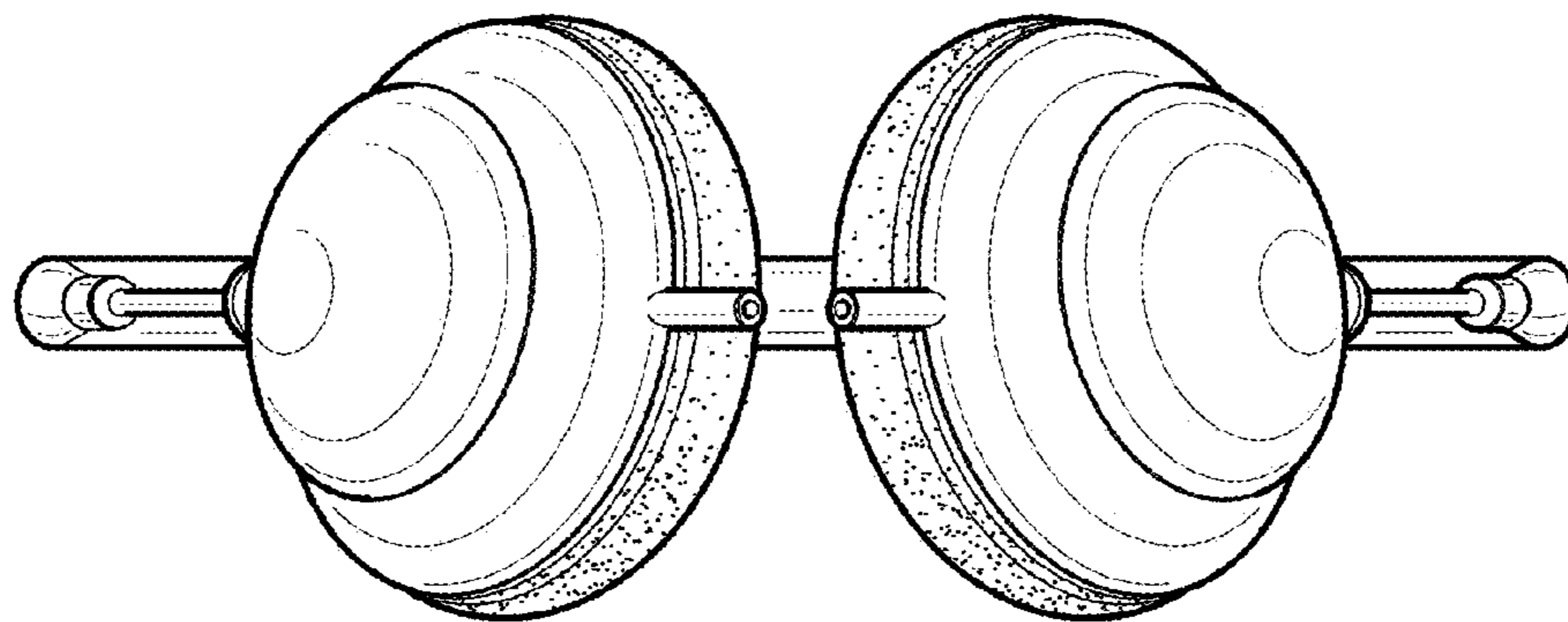


FIG. 7