



US00D722587S

(12) **United States Design Patent**
Green et al.

(10) **Patent No.:** **US D722,587 S**

(45) **Date of Patent:** **** Feb. 17, 2015**

(54) **AUDIO SYSTEM**

(75) Inventors: **Seth N. Green**, Newton, MA (US);
Huiying Xin, Shenzhen (CN); **David H. Pitcher**, Worcester, MA (US)

(73) Assignee: **Bose Corporation**, Framingham, MA (US)

(**) Term: **14 Years**

(21) Appl. No.: **29/430,749**

(22) Filed: **Aug. 29, 2012**

(51) **LOC (10) Cl.** **14-03**

(52) **U.S. Cl.**
USPC **D14/188**

(58) **Field of Classification Search**
USPC D13/103, 106, 184; D14/132, 133, 137, D14/138 AB, 155, 188, 193, 196, 203.4, D14/210, 211, 213, 214, 221, 242, 243, 257, D14/258, 265, 315, 321, 345, 348, 351, 353, D14/358, 433, 496, 498, 500-503; D26/72, D26/104, 118; 359/258; 379/25, 93.09, 379/93.19, 156, 220.01, 221.09, 338, 339, 379/441; 455/557; 711/100, 115; 720/270, 720/658, 691; 725/111

See application file for complete search history.

(56) **References Cited**

U.S. PATENT DOCUMENTS

D574,823 S * 8/2008 Wung D14/357
D599,339 S * 9/2009 Yau D14/300

D599,754 S * 9/2009 Xie et al. D14/125
D609,687 S * 2/2010 Lyman et al. D14/155
D640,668 S * 6/2011 Chern D14/214
D661,670 S * 6/2012 Huang D14/125
D666,163 S * 8/2012 Hsu D14/125
D666,564 S * 9/2012 Lee D14/125

* cited by examiner

Primary Examiner — Stella Reid

Assistant Examiner — Janice Lim

(74) *Attorney, Agent, or Firm* — Bose Corporation

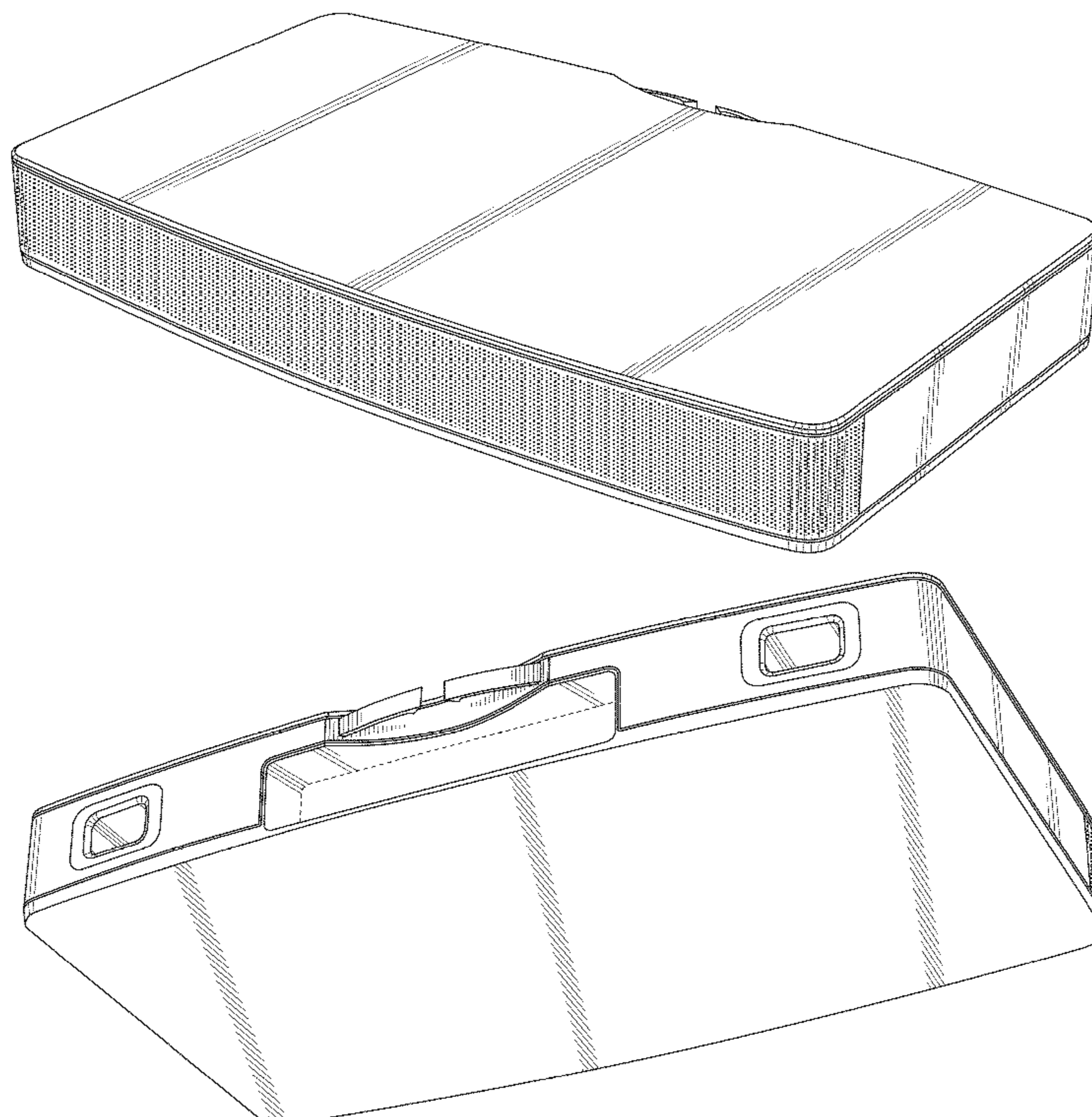
(57) **CLAIM**

The ornamental design for an audio system, substantially as shown and described.

DESCRIPTION

FIG. 1 is a front perspective view of an audio system as seen from the front, top, and right side;
FIG. 2 is a back perspective view thereof, as seen from the back, bottom, and left side;
FIG. 3 is a front view thereof;
FIG. 4 is a back view thereof;
FIG. 5 is a top view thereof;
FIG. 6 is a bottom view thereof;
FIG. 7 is an left side view thereof; and,
FIG. 8 is a right side view thereof.
The broken line portions of FIGS. 2 and 4 are included to show unclaimed subject matter only and form no part of the claimed design.

1 Claim, 8 Drawing Sheets



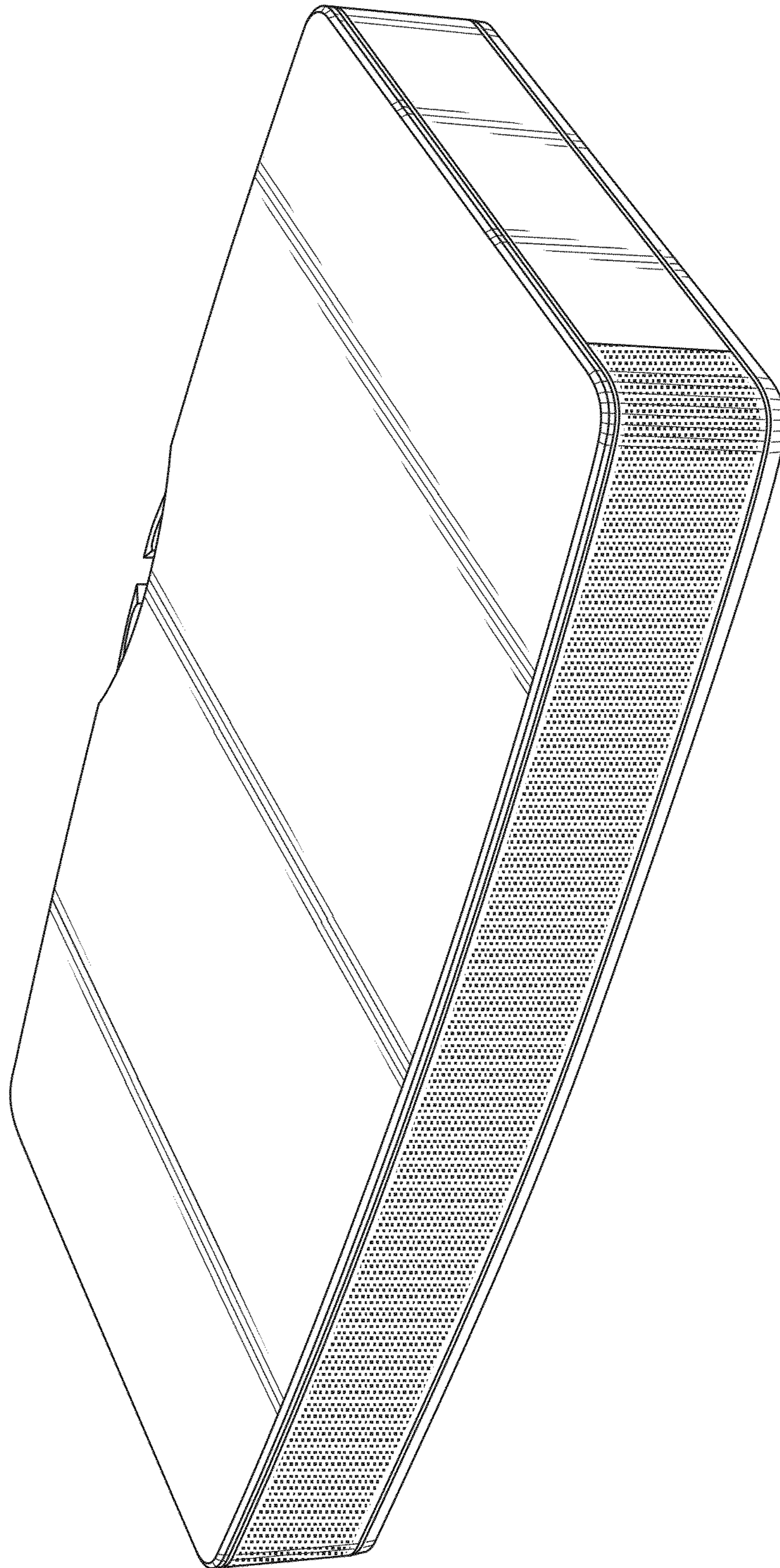


FIG. 1

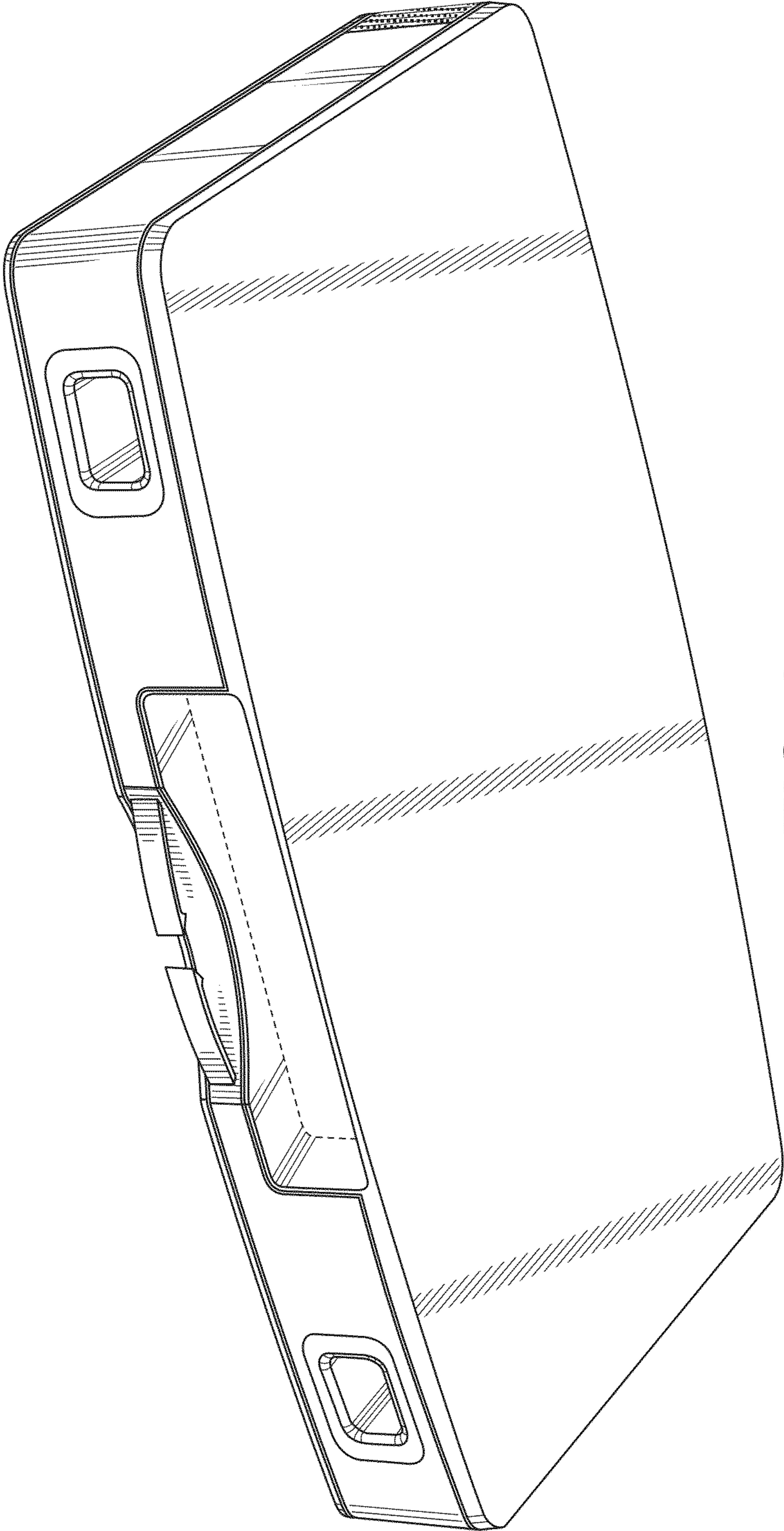


FIG. 2

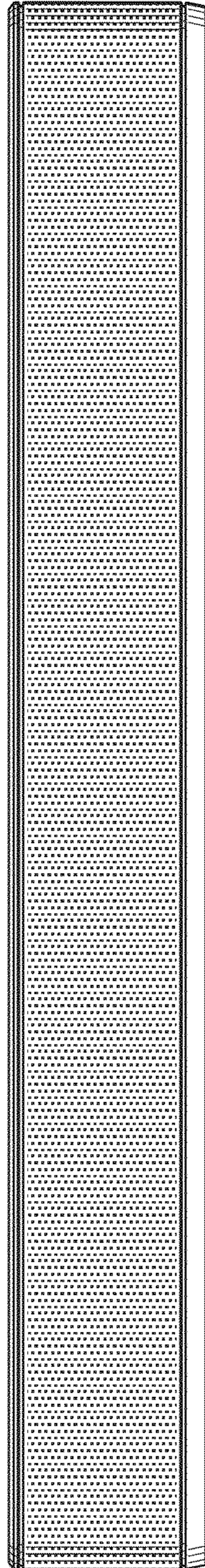


FIG. 3

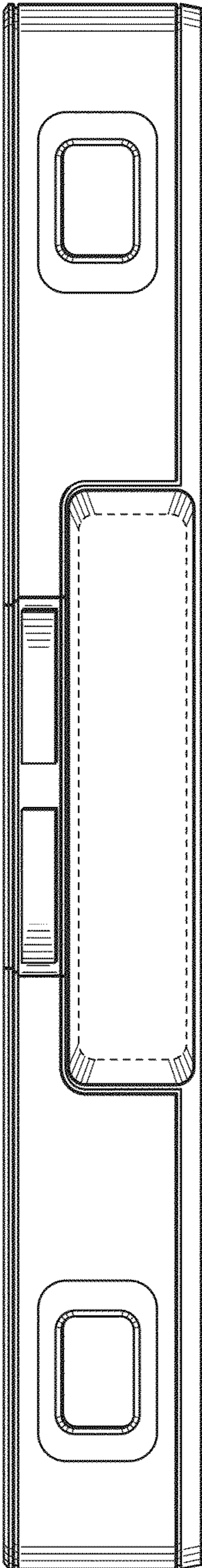


FIG. 4

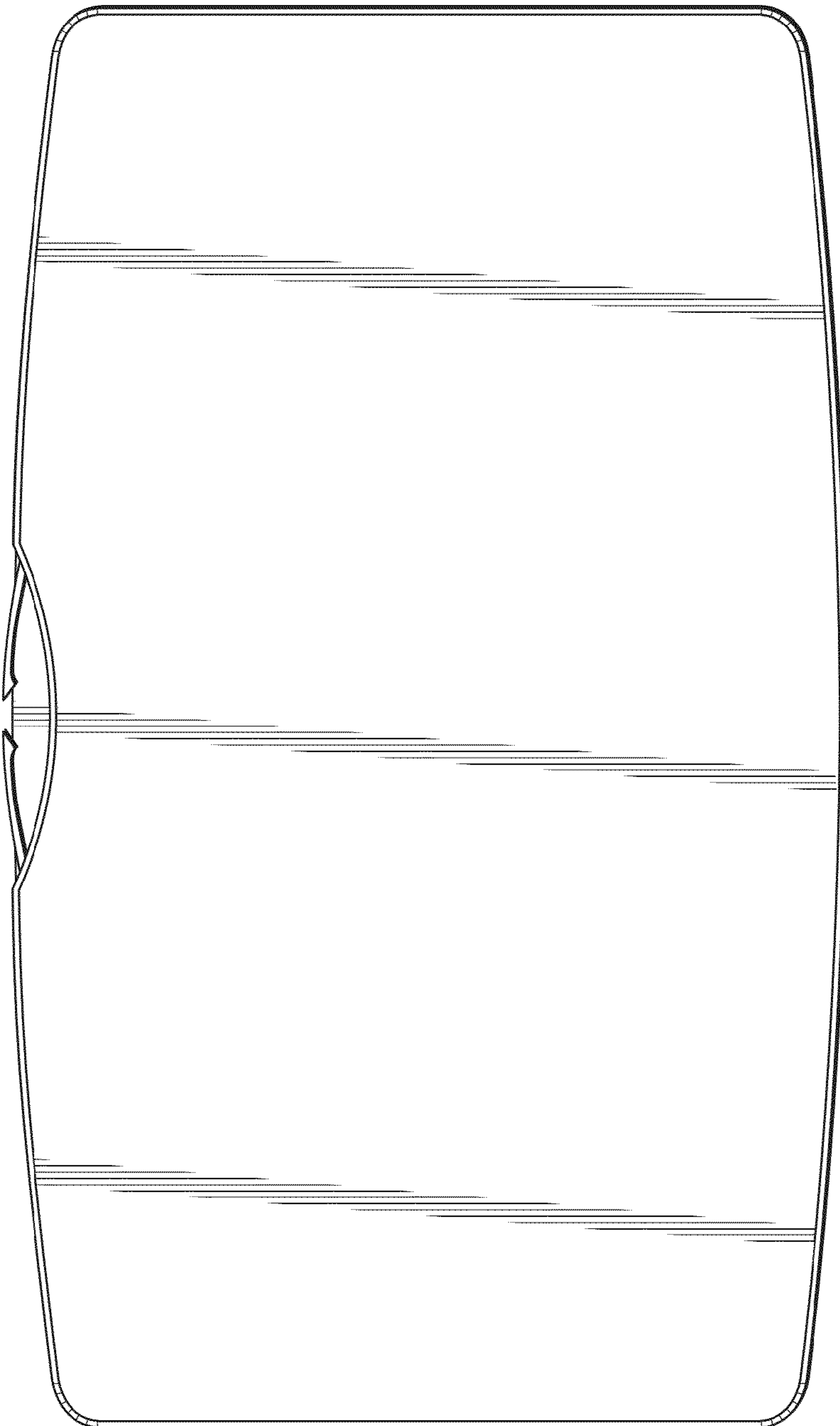


FIG. 5

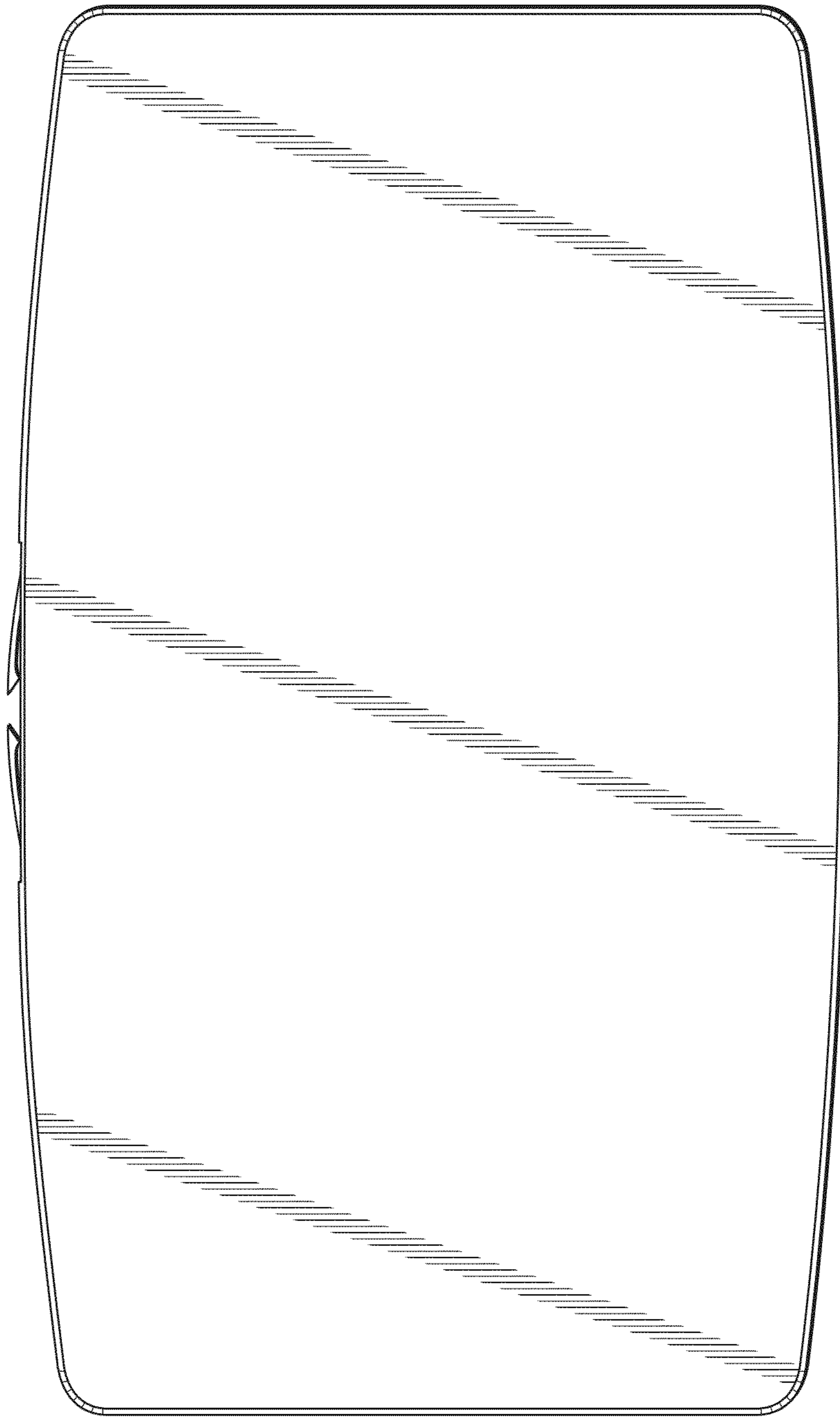


FIG. 6

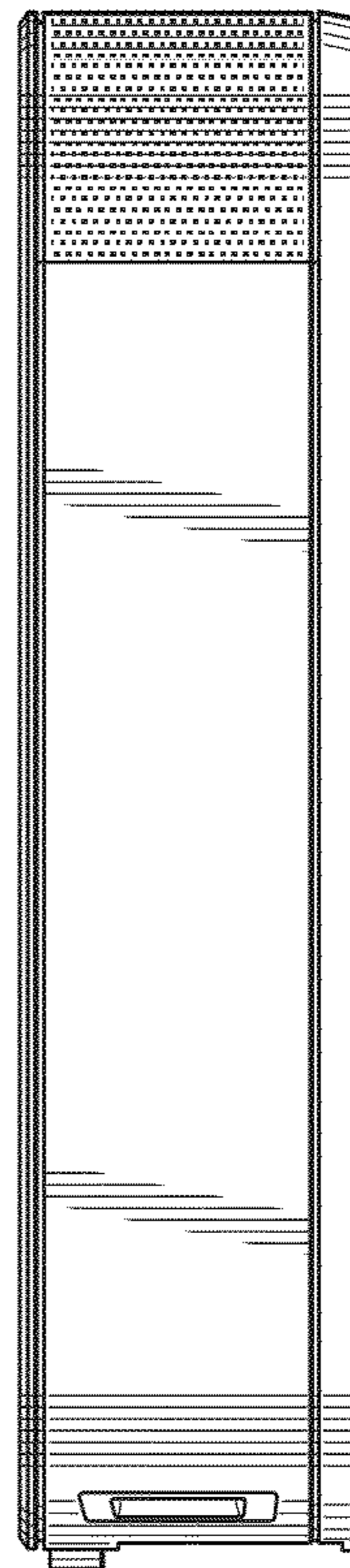


FIG. 7

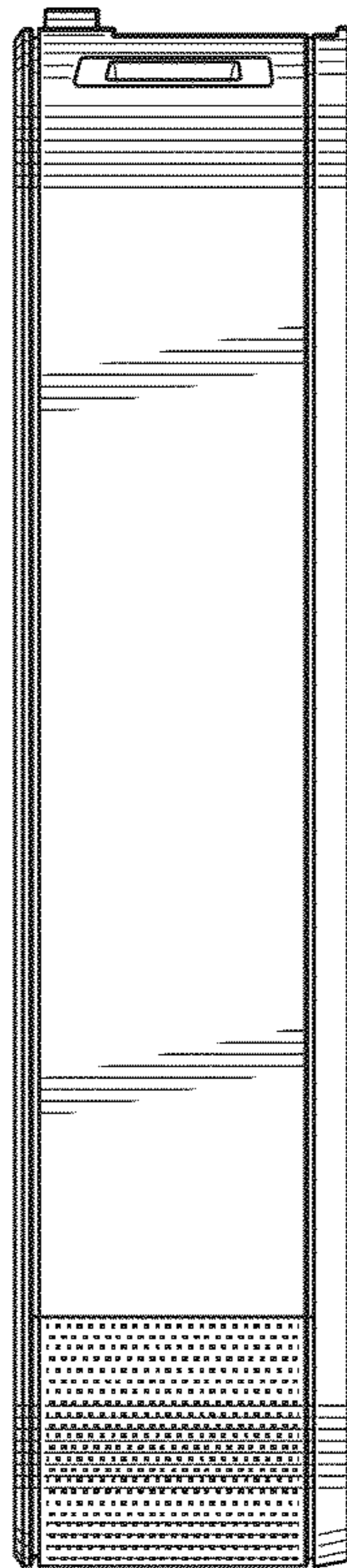


FIG. 8