



US00D722585S

(12) **United States Design Patent**
Suzuki

(10) **Patent No.:** **US D722,585 S**

(45) **Date of Patent:** **** Feb. 17, 2015**

(54) **DIGITAL AUDIO DISC PLAYER FOR
AUTOMOBILE**

(71) Applicant: **JVC Kenwood Corporation**, Kanagawa
(JP)

(72) Inventor: **Yasuhiro Suzuki**, Kanagawa (JP)

(73) Assignee: **JVC Kenwood Corporation**, Kanagawa
(JP)

(**) Term: **14 Years**

(21) Appl. No.: **29/438,625**

(22) Filed: **Nov. 30, 2012**

(30) **Foreign Application Priority Data**

May 31, 2012 (JP) 2012-012880

(51) **LOC (10) Cl.** **14-03**

(52) **U.S. Cl.**
USPC **D14/157; D14/498; D14/258**

(58) **Field of Classification Search**
USPC D14/126, 129, 131-133, 203.1, 203.4,
D14/137, 155, 157, 168-171, 188, 194, 197,
D14/198, 239, 257, 258, 496, 498-508;
455/90.1-90.3, 344-355; 369/6-12

See application file for complete search history.

(56) **References Cited**

U.S. PATENT DOCUMENTS

D565,043	S	*	3/2008	Shiono	D14/258
D602,928	S	*	10/2009	Kimura et al.	D14/258
D671,906	S	*	12/2012	Kimura	D14/157
D704,694	S	*	5/2014	Takahashi	D14/258
D704,695	S	*	5/2014	Kanou	D14/258
D704,696	S	*	5/2014	Kimura	D14/258

* cited by examiner

Primary Examiner — Keli L Hill

(74) *Attorney, Agent, or Firm* — Osha Liang LLP

(57) **CLAIM**

The ornamental design for digital audio disc player for automobile, as shown and described.

DESCRIPTION

FIG. 1 is a perspective view of front, right and top of digital audio disc player for automobile showing my new design;

FIG. 2 is a front view thereof;

FIG. 3 is a rear view thereof;

FIG. 4 is a left side view thereof;

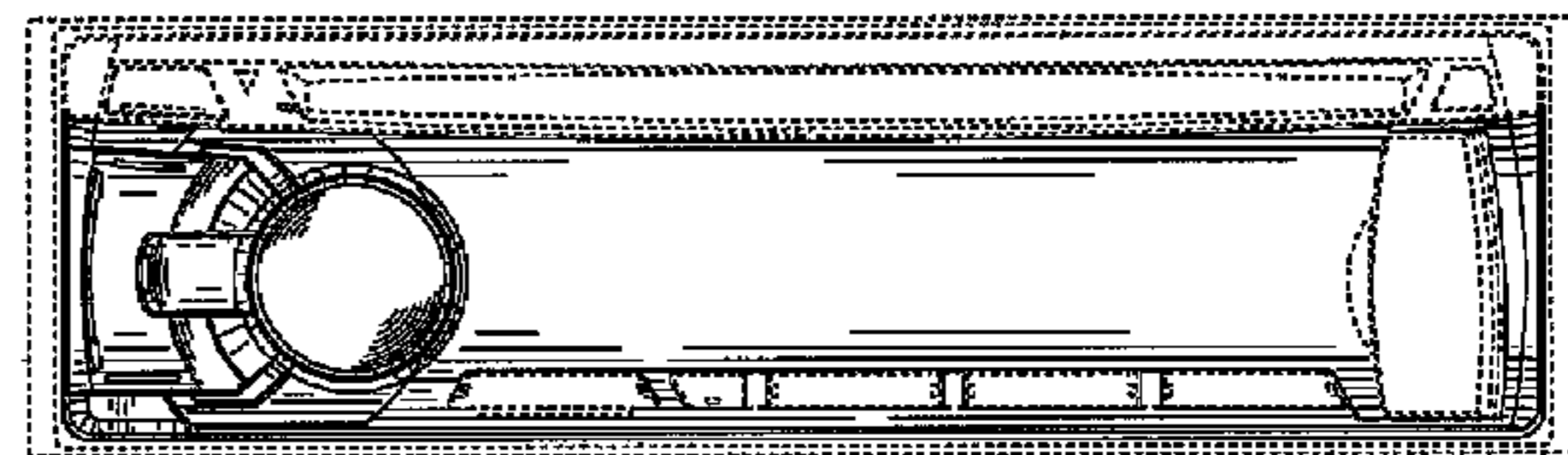
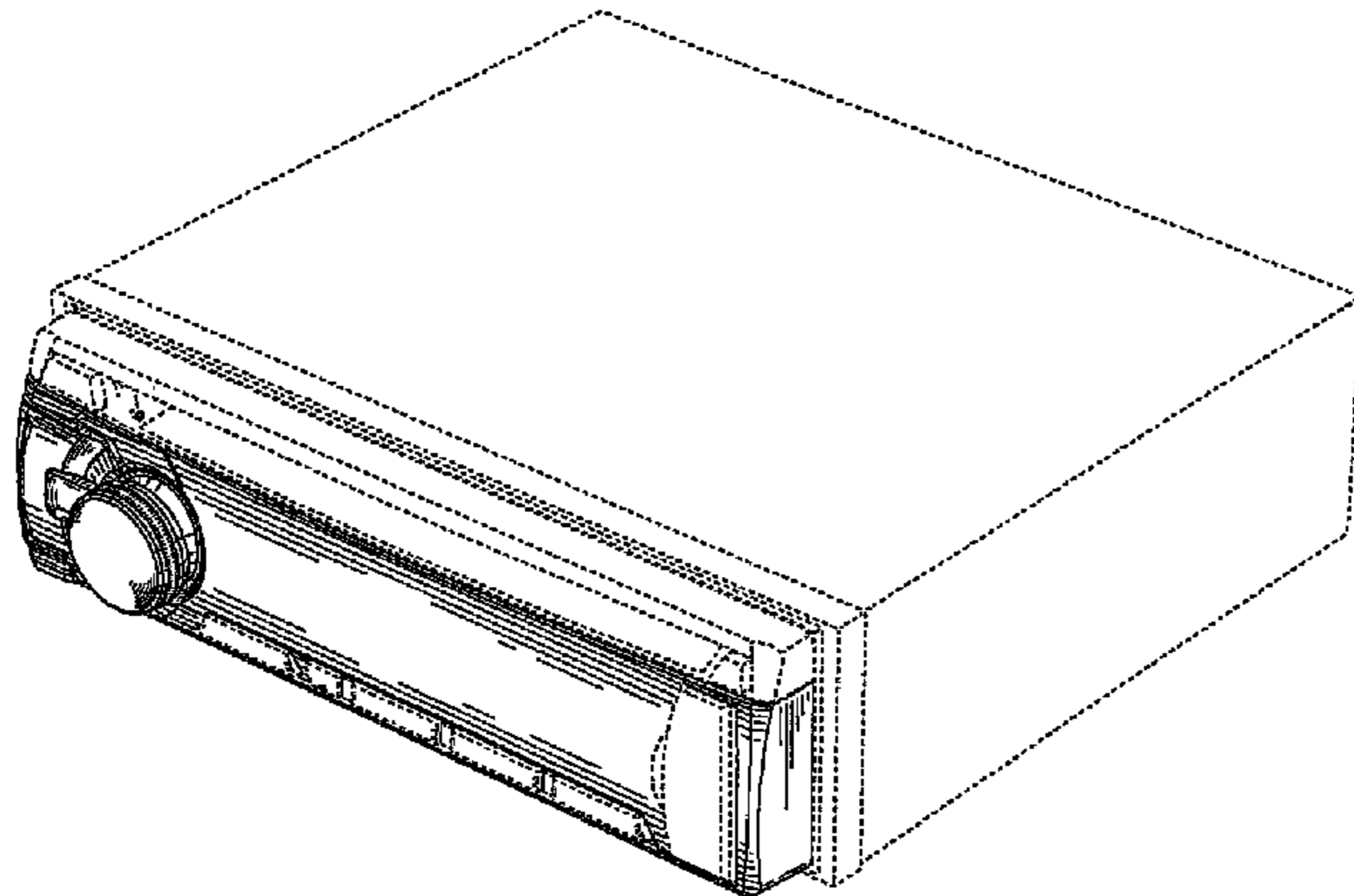
FIG. 5 is a right side view thereof;

FIG. 6 is a top view thereof; and,

FIG. 7 is a bottom view thereof.

The broken lines showing of digital audio disc player for automobile is included for the purpose of illustrating portions of digital audio disc player for automobile and forms no part of the claimed design.

1 Claim, 5 Drawing Sheets



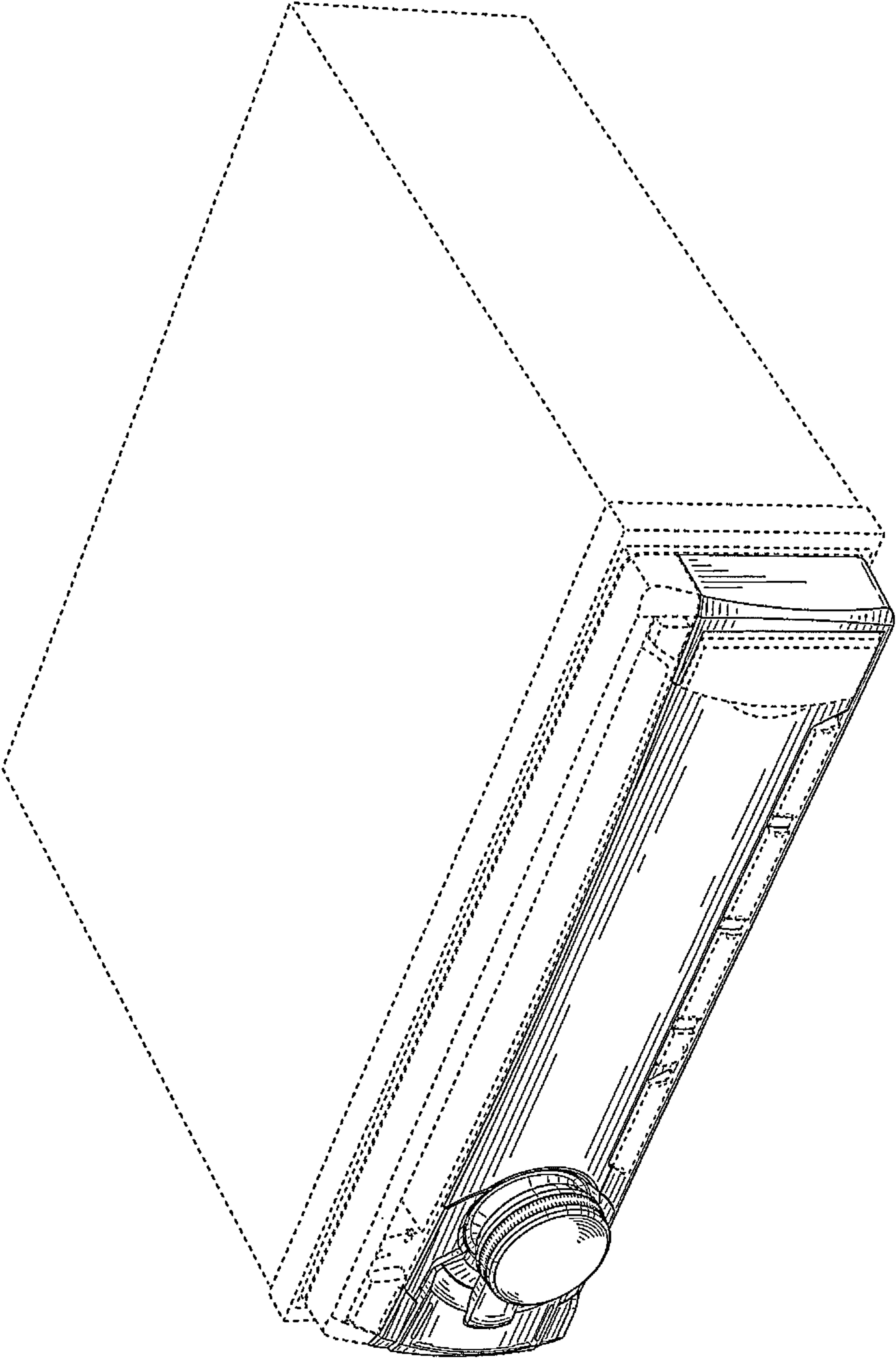


FIG. 1

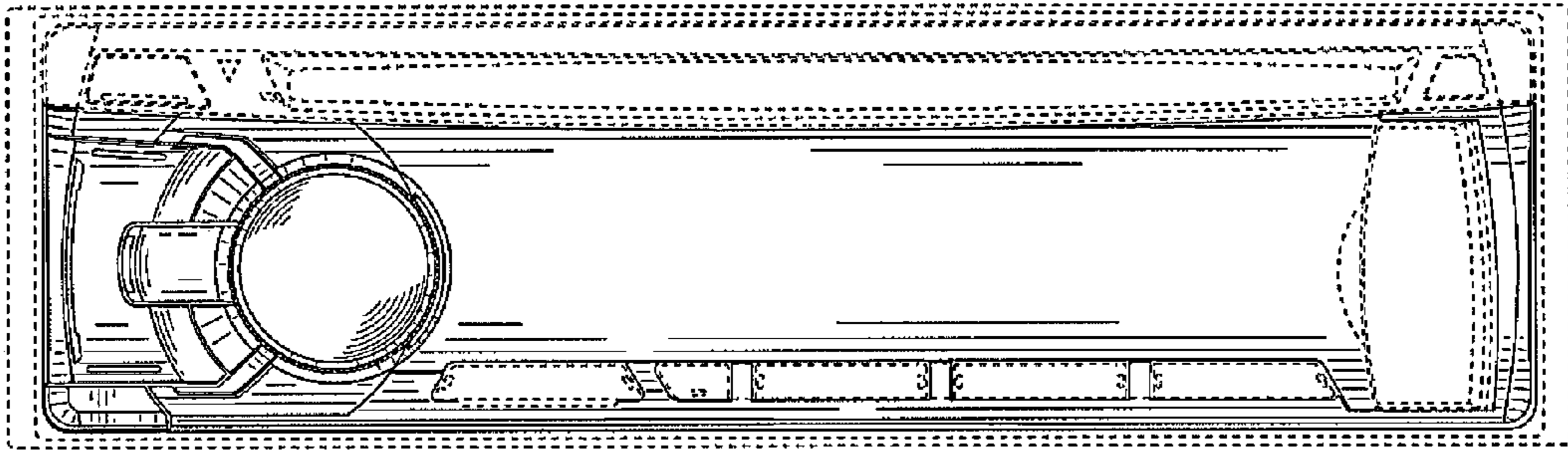


FIG. 2



FIG. 3



FIG. 4



FIG. 5

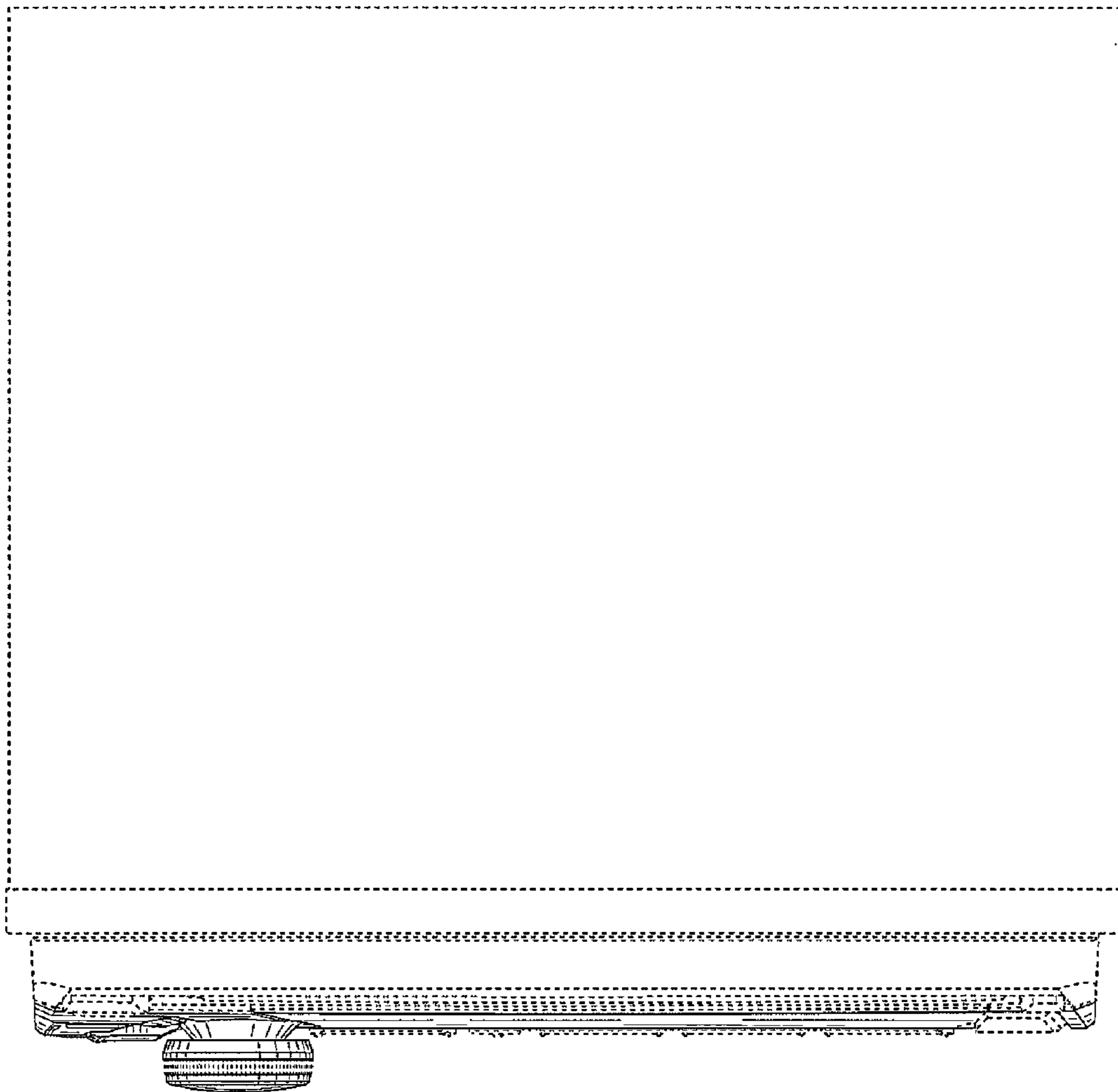


FIG. 6

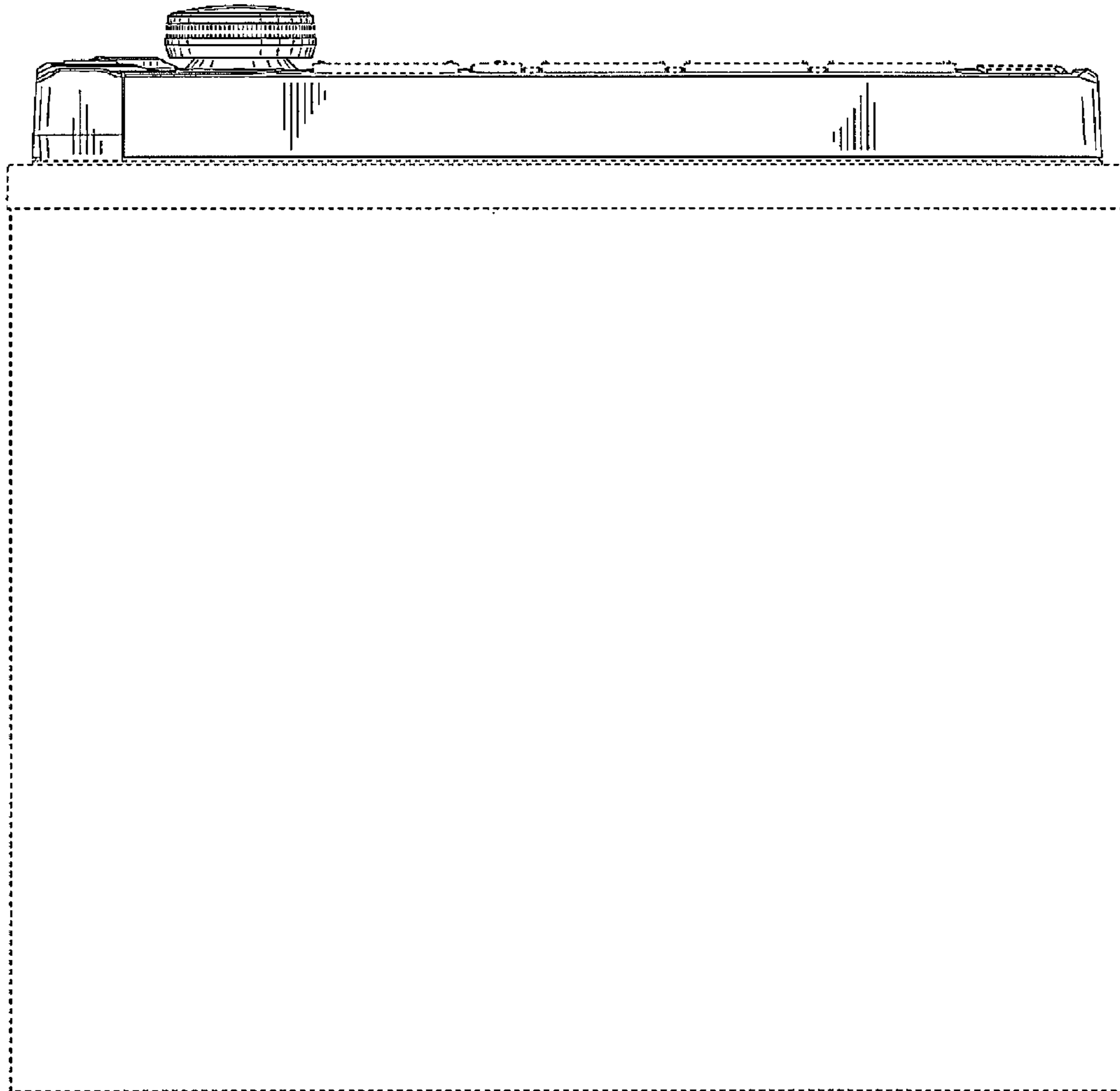


FIG. 7