



US00D722577S

(12) **United States Design Patent**
Zimmer

(10) **Patent No.:** **US D722,577 S**

(45) **Date of Patent:** **** Feb. 17, 2015**

(54) **HOUSING FOR ELECTRONIC MODULES WITH COOLING FINS**

(56) **References Cited**

(71) Applicant: **Liebherr-Elektronik GmbH**, Lindau (DE)

(72) Inventor: **Martin Zimmer**, Tettwang (DE)

(73) Assignee: **Liebherr-Elektronik GmbH**, Lindau (DE)

(**) Term: **14 Years**

(21) Appl. No.: **29/478,927**

(22) Filed: **Jan. 9, 2014**

(30) **Foreign Application Priority Data**

Jul. 12, 2013 (EP) 2 273 391

(51) **LOC (10) Cl.** **13-03**

(52) **U.S. Cl.**
USPC **D13/179**

(58) **Field of Classification Search**

CPC F28D 1/0246; F28D 1/0426; F28D 15/02; F28D 15/0266; F28D 15/0275; F28D 15/04; F28F 13/003; F28F 13/12; F28F 1/325; F04D 25/0613; F04D 25/068; F04D 29/281422; F21V 29/2293; F21V 29/2231; G03B 21/16; G06F 1/20; G06F 1/203; H01L 23/34; H01L 23/367; H01L 23/3672; H01L 23/40; H01L 23/4006; H01L 23/4093; H01L 23/427; H01L 23/467; H05K 7/20; H05K 7/20127; H05K 7/20145; H05K 7/20154; H05K 7/20172; H05K 7/20336
USPC D13/179; 165/80.3, 104.26, 104.33, 165/122, 151, 185; 257/706, 707, 718-722; 361/695, 697, 700, 702, 704, 709, 710, 361/711, 719

See application file for complete search history.

U.S. PATENT DOCUMENTS

3,592,260 A *	7/1971	Berger	165/121
D368,253 S *	3/1996	Graves	D13/179
D403,666 S *	1/1999	Maack et al.	D13/179
6,144,092 A *	11/2000	Kappes et al.	257/718
D449,587 S *	10/2001	Cronin	D13/179
6,313,399 B1 *	11/2001	Suntio et al.	174/17 VA
6,326,761 B1 *	12/2001	Tareilus	318/722
6,421,239 B1 *	7/2002	Huang	361/696
D483,019 S *	12/2003	Cook et al.	D13/179
6,671,177 B1 *	12/2003	Han	361/719
6,778,390 B2 *	8/2004	Michael	361/695
6,847,525 B1 *	1/2005	Smith et al.	361/703

(Continued)

Primary Examiner — Selina Sikder

(74) *Attorney, Agent, or Firm* — Alleman Hall McCoy Russell & Tuttle LLP

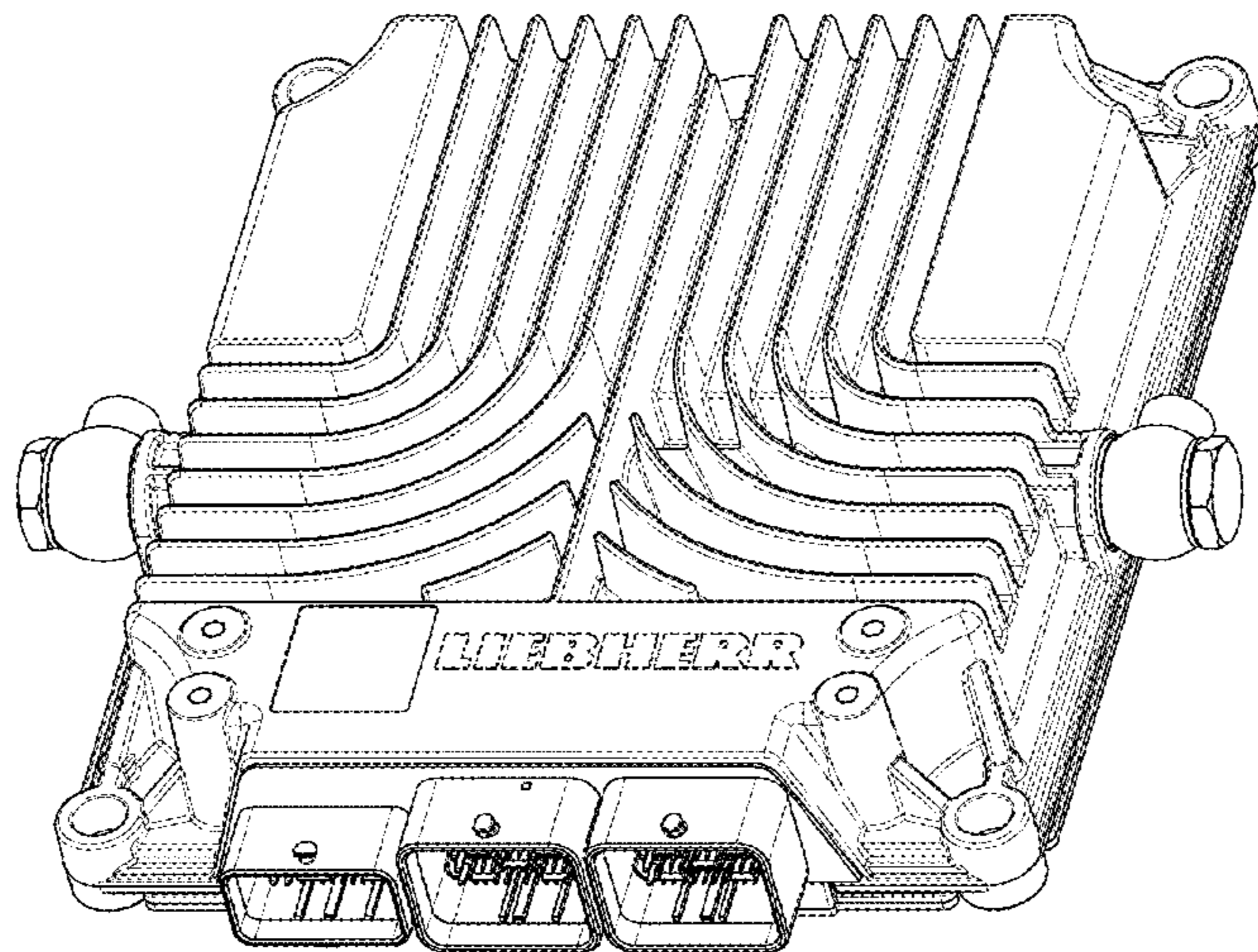
(57) **CLAIM**

The ornamental design for a housing for electronic modules with cooling fins, as shown and described.

DESCRIPTION

FIG. 1 is a front view of a design for a housing for electronic modules with cooling fins according to the present disclosure. FIG. 2 is a back view of the housing for electronic modules with cooling fins of FIG. 1. FIG. 3 is a left view of the housing for electronic modules with cooling fins of FIG. 1. FIG. 4 is a right view of the housing for electronic modules with cooling fins of FIG. 1. FIG. 5 is a top view of the housing for electronic modules with cooling fins of FIG. 1. FIG. 6 is a bottom view of the housing for electronic modules with cooling fins of FIG. 1; and, FIG. 7 is a perspective view of the housing for electronic modules with cooling fins of FIG. 1. The solid lines in FIGS. 1-7 illustrate a housing for electronic modules with cooling fins according to the present disclosure. The broken lines form no part of the claimed design.

1 Claim, 7 Drawing Sheets



(56)

References Cited

U.S. PATENT DOCUMENTS

	2008/0291632	A1*	11/2008	Bremicker et al.	361/707
	2011/0051370	A1*	3/2011	Leutwein	361/697
	2012/0103589	A1*	5/2012	Sohn et al.	165/185
D627,316	S	*	11/2010	Theisen et al.	D13/182

* cited by examiner

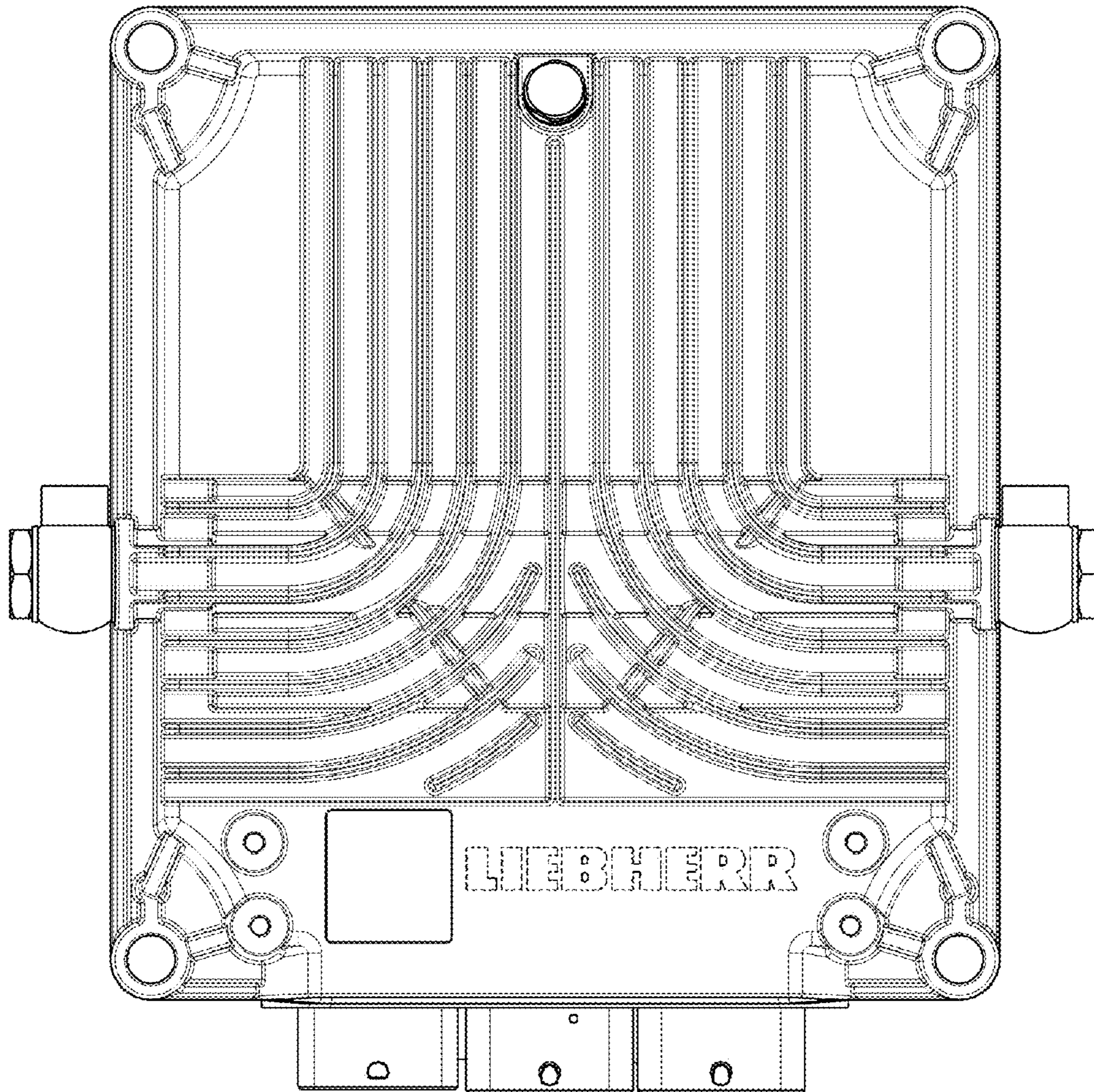


FIG. 1

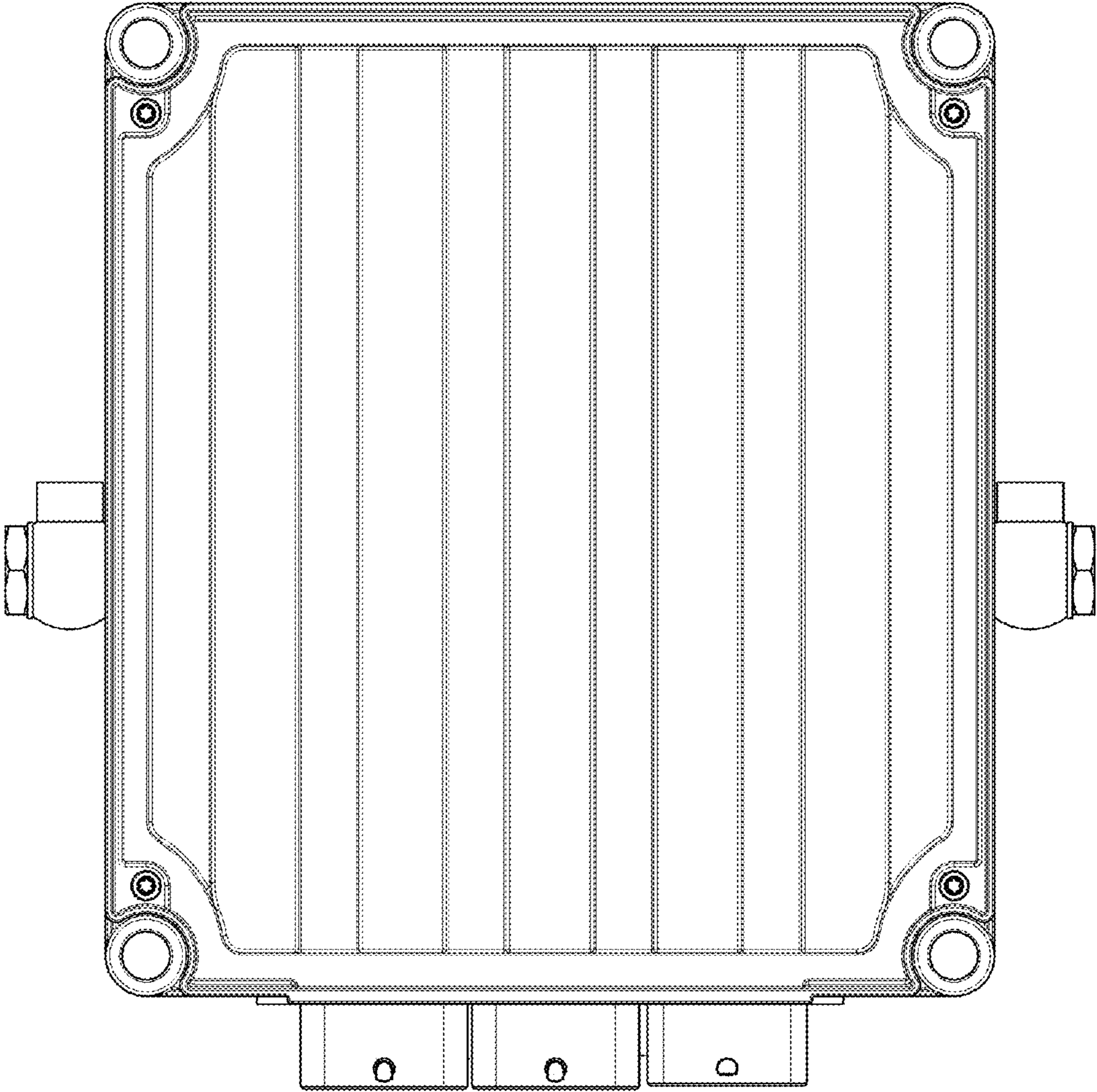


FIG. 2

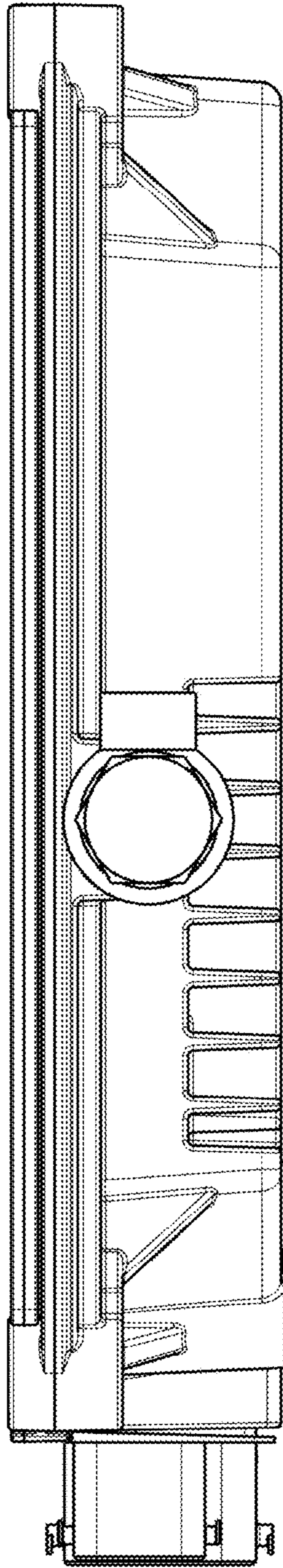


FIG. 3

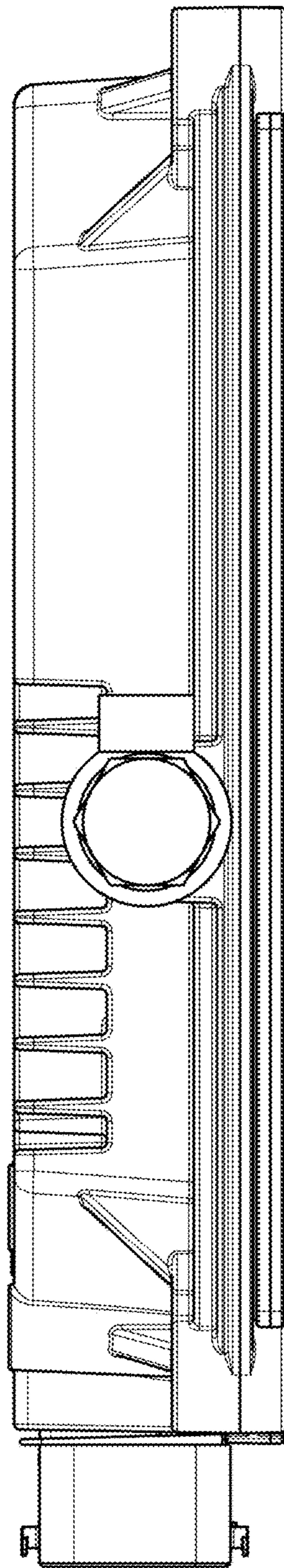


FIG. 4

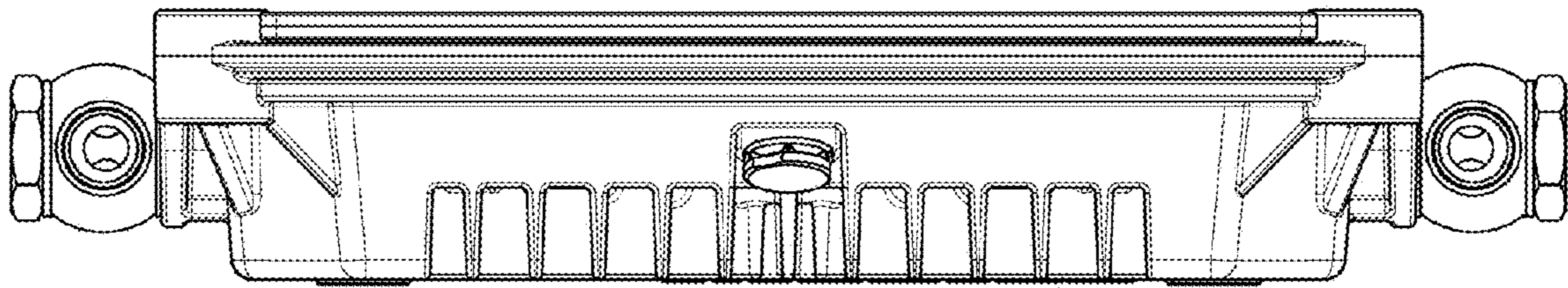


FIG. 5

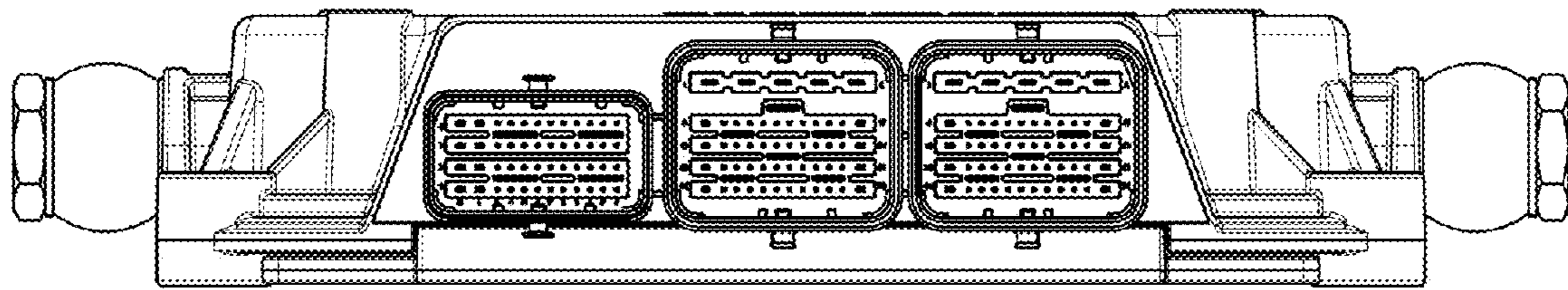


FIG. 6

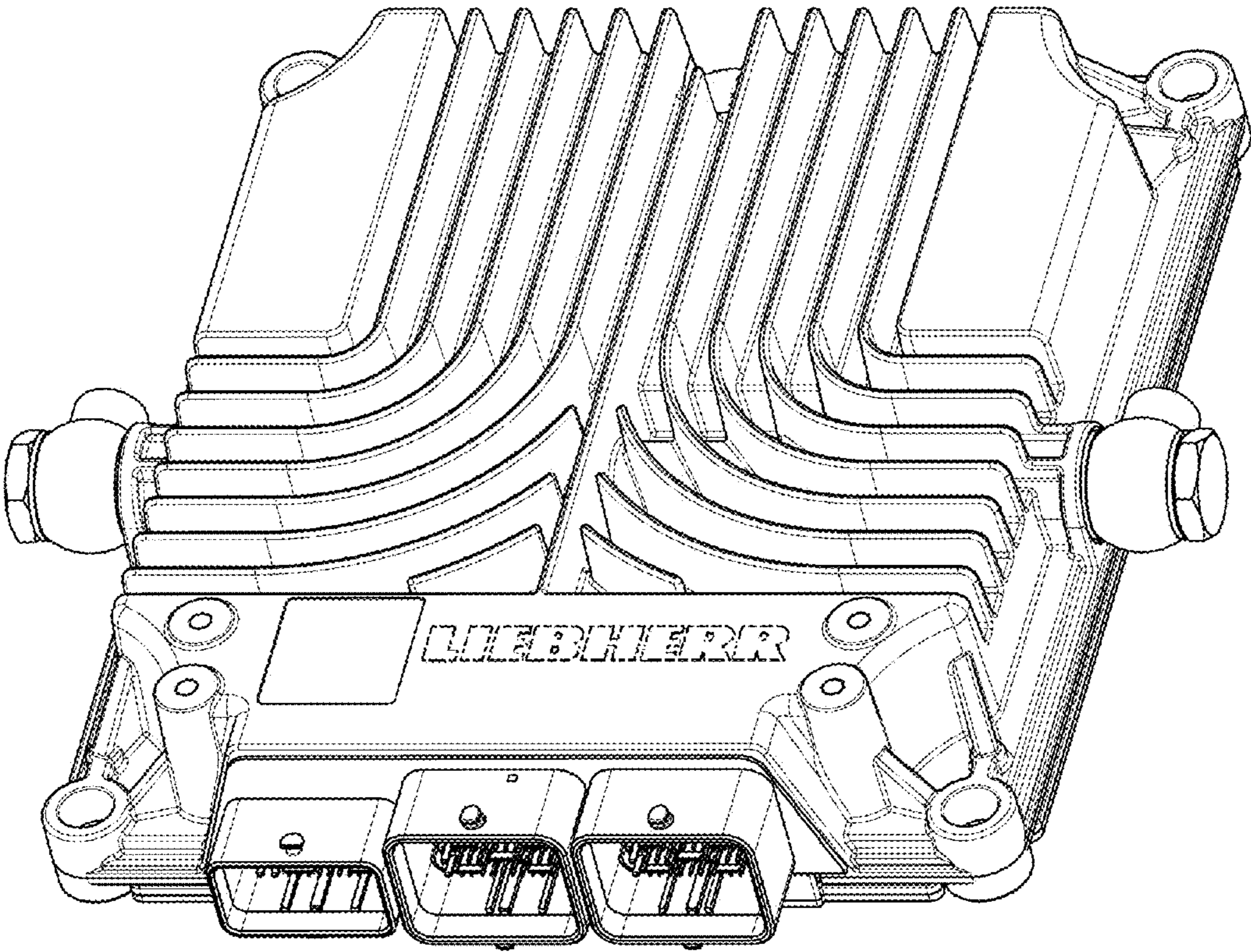


FIG. 7