



US00D722571S

(12) **United States Design Patent**
Aromin

(10) **Patent No.:** **US D722,571 S**

(45) **Date of Patent:** **** Feb. 17, 2015**

(54) **GROUND FAULT INDICATOR APPARATUS**

(56) **References Cited**

(71) Applicant: **Victor V Aromin**, West Warwick, RI
(US)

U.S. PATENT DOCUMENTS

(72) Inventor: **Victor V Aromin**, West Warwick, RI
(US)

D358,368 S *	5/1995	Howard et al.	D13/160
D401,908 S *	12/1998	Cook	D13/160
D432,990 S *	10/2000	Stekelenburg	D13/137.3
D434,010 S *	11/2000	Stekelenburg	D13/160
D519,937 S *	5/2006	Laurent et al.	D13/160
D519,938 S *	5/2006	Laurent et al.	D13/160

(73) Assignee: **Tower Manufacturing**, Providence, RI
(US)

* cited by examiner

(**) Term: **14 Years**

Primary Examiner — Thomas Johannes
Assistant Examiner — Shawn T Gingrich

(21) Appl. No.: **29/473,914**

(57) **CLAIM**

(22) Filed: **Nov. 26, 2013**

The ornamental design for a ground fault indicator apparatus, substantially as shown and described.

DESCRIPTION

Related U.S. Application Data

(63) Continuation-in-part of application No. 29/467,083, filed on Sep. 15, 2013, now abandoned.

FIG. 1 is a top perspective view of the ground fault indicator apparatus employing my new design; FIG. 2 is a bottom perspective view of FIG. 1; FIG. 3 is a left side view of FIG. 1; FIG. 4 is a rear end view of FIG. 1; FIG. 5 is a right side view of FIG. 1; FIG. 6 is bottom view of FIG. 1; FIG. 7 is front end view of FIG. 1; and, FIG. 8 is top view of FIG. 1.

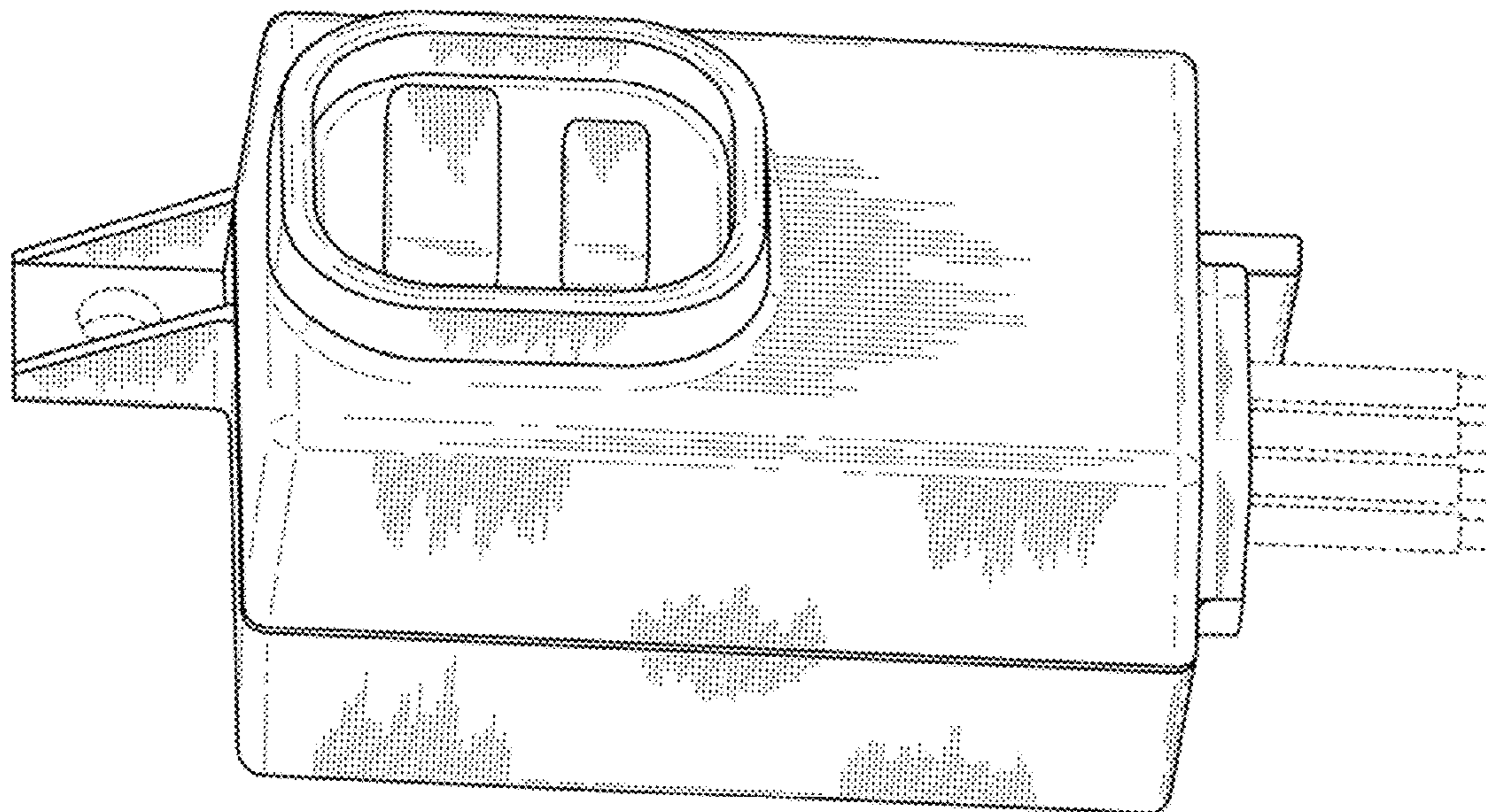
(51) **LOC (10) Cl.** **13-03**

(52) **U.S. Cl.**
USPC **D13/160**

(58) **Field of Classification Search**
USPC D13/101, 110, 123, 133, 158-162, 183, D13/184, 199; 200/43.14, 50.01, 200/50.21-50.23, 293; 361/115, 608, 634
See application file for complete search history.

The broken line portion of the figure drawings is included to show unclaimed subject matter only and forms no part of the claimed design.

1 Claim, 8 Drawing Sheets



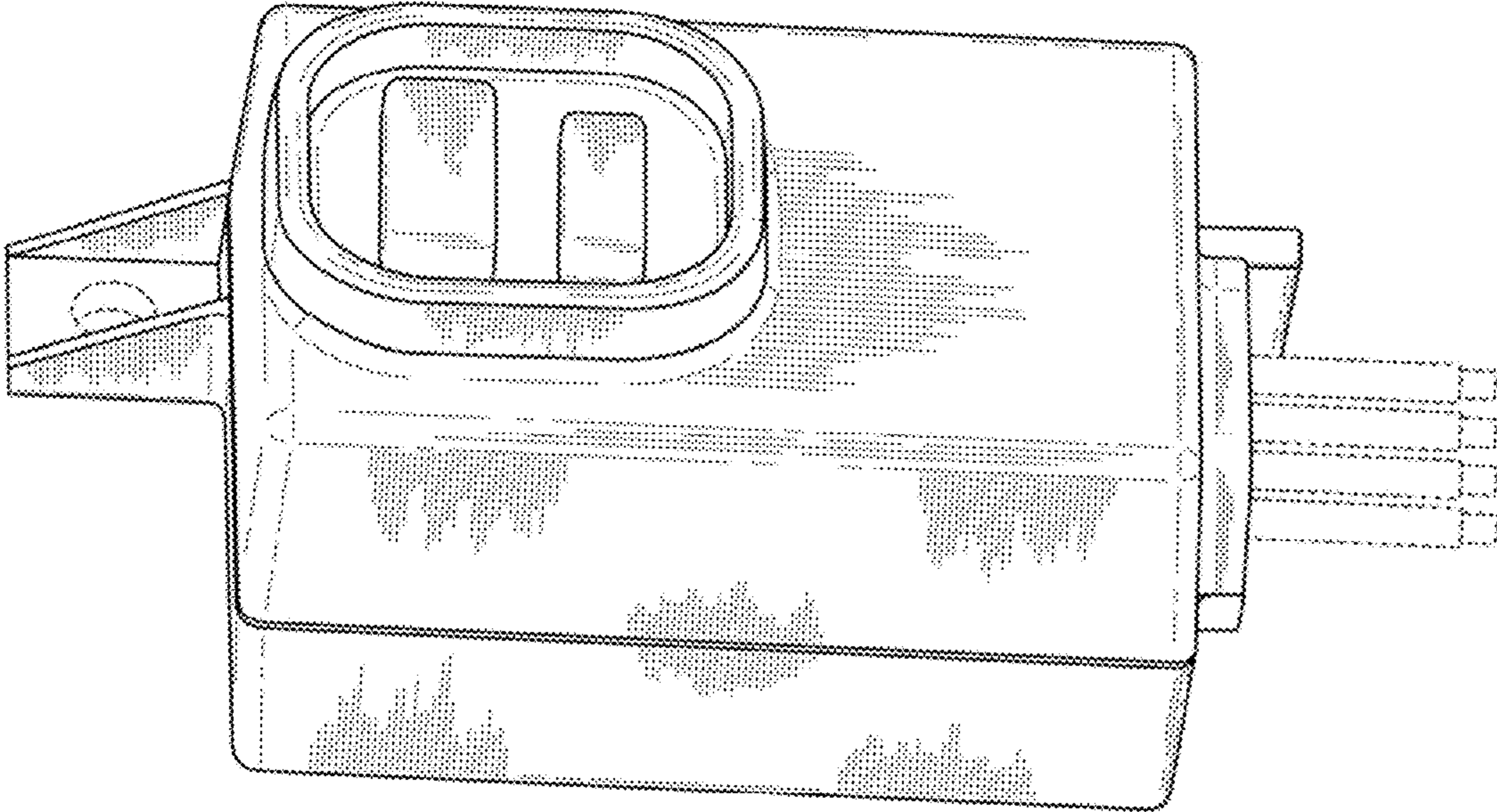


FIG. 1

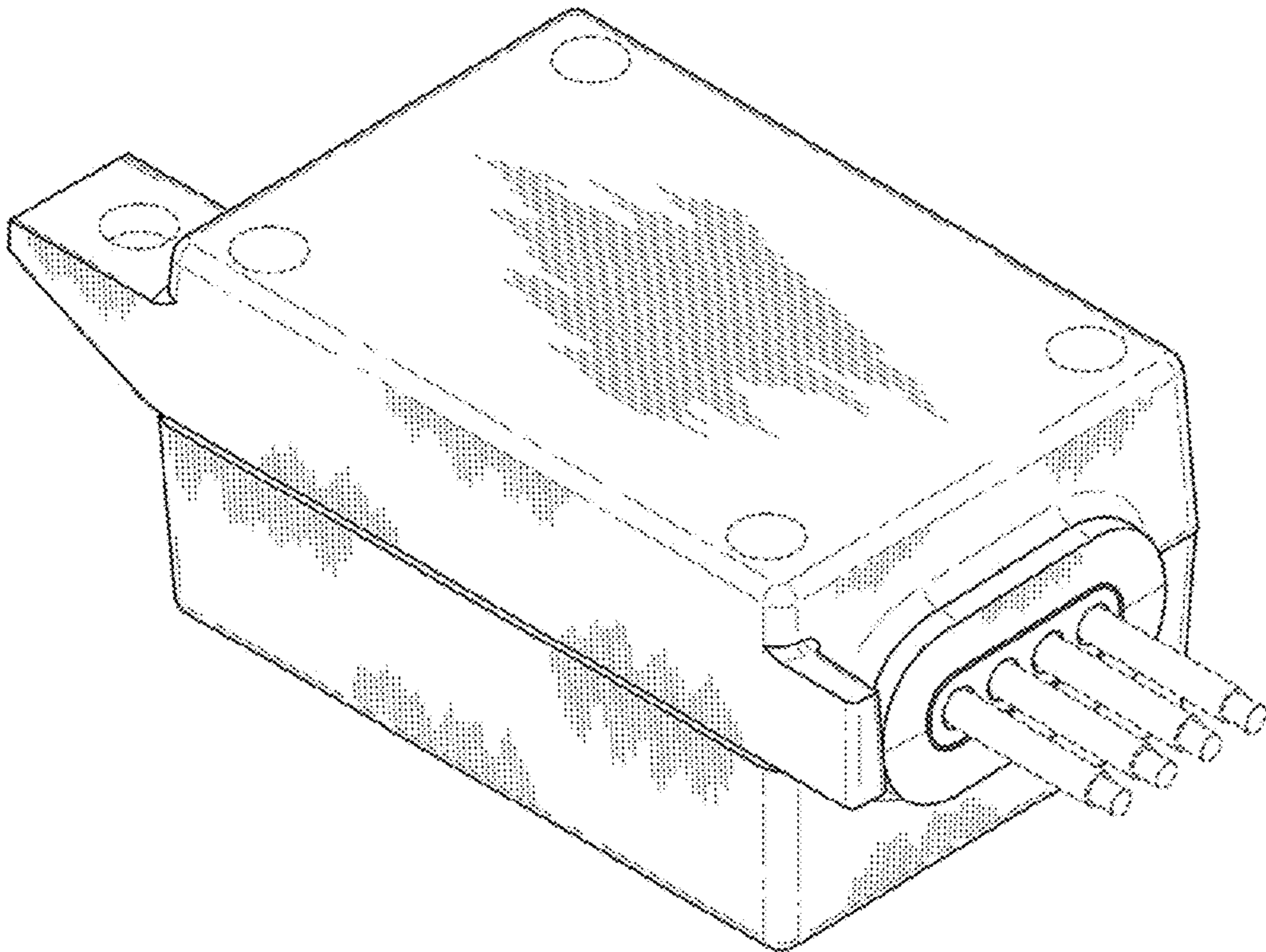


FIG. 2

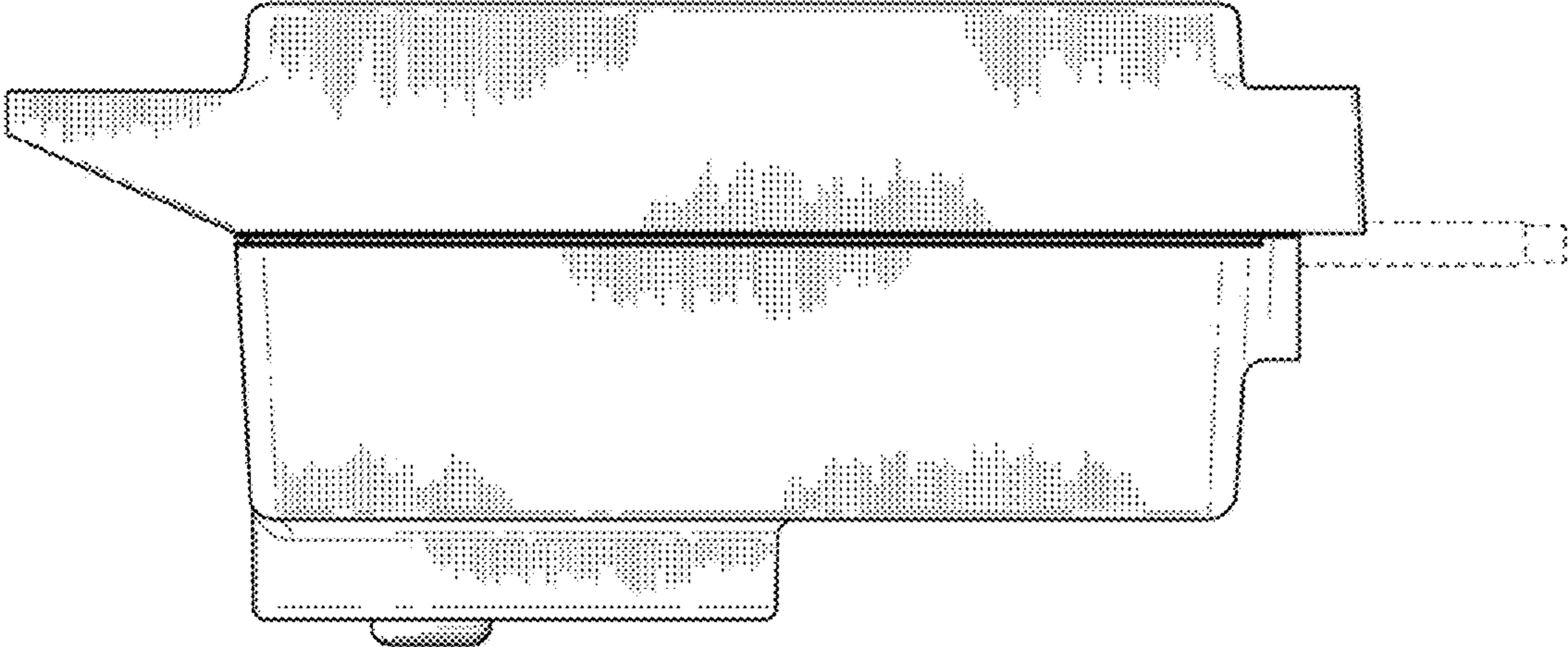


FIG. 3

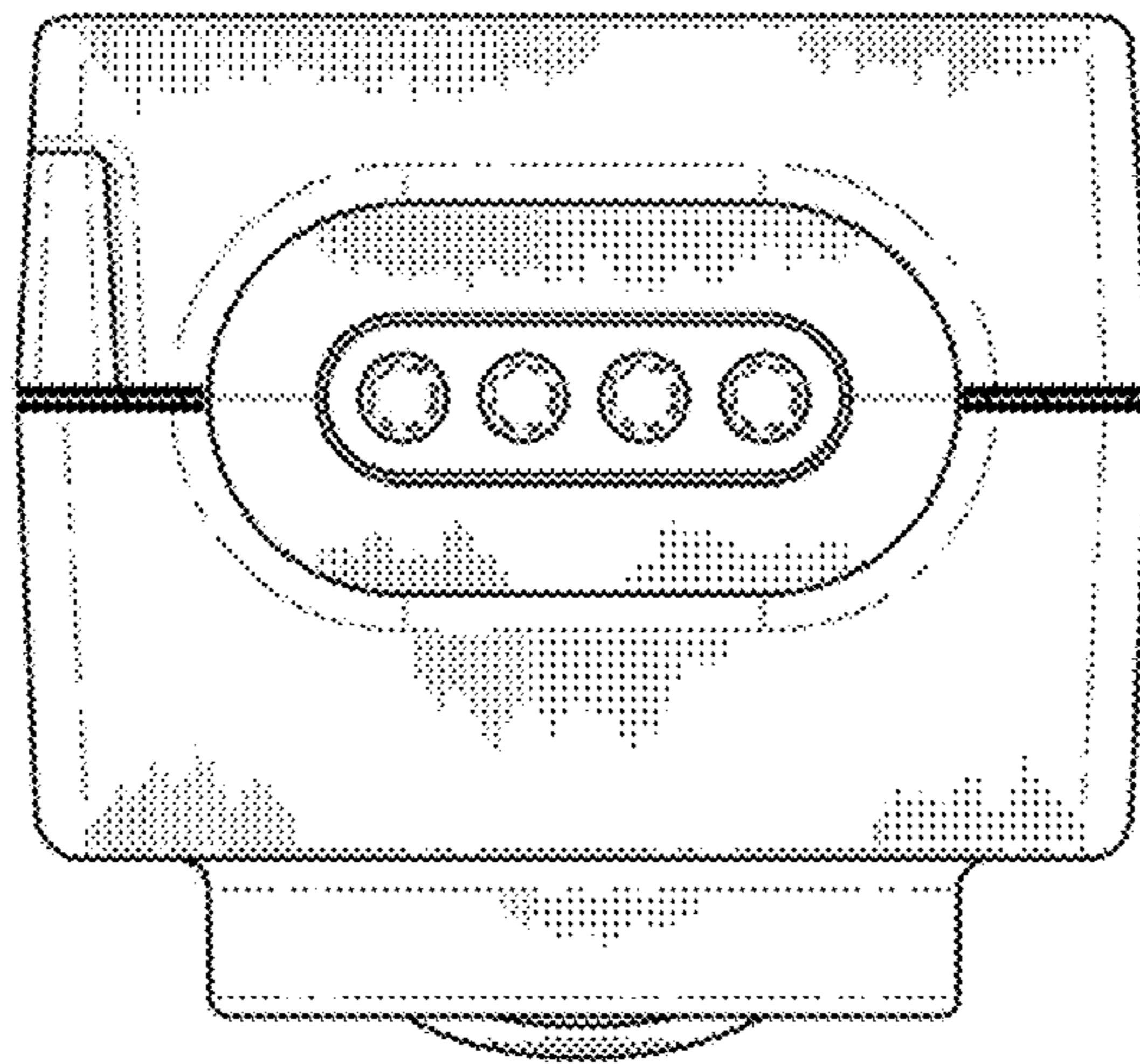


FIG. 4

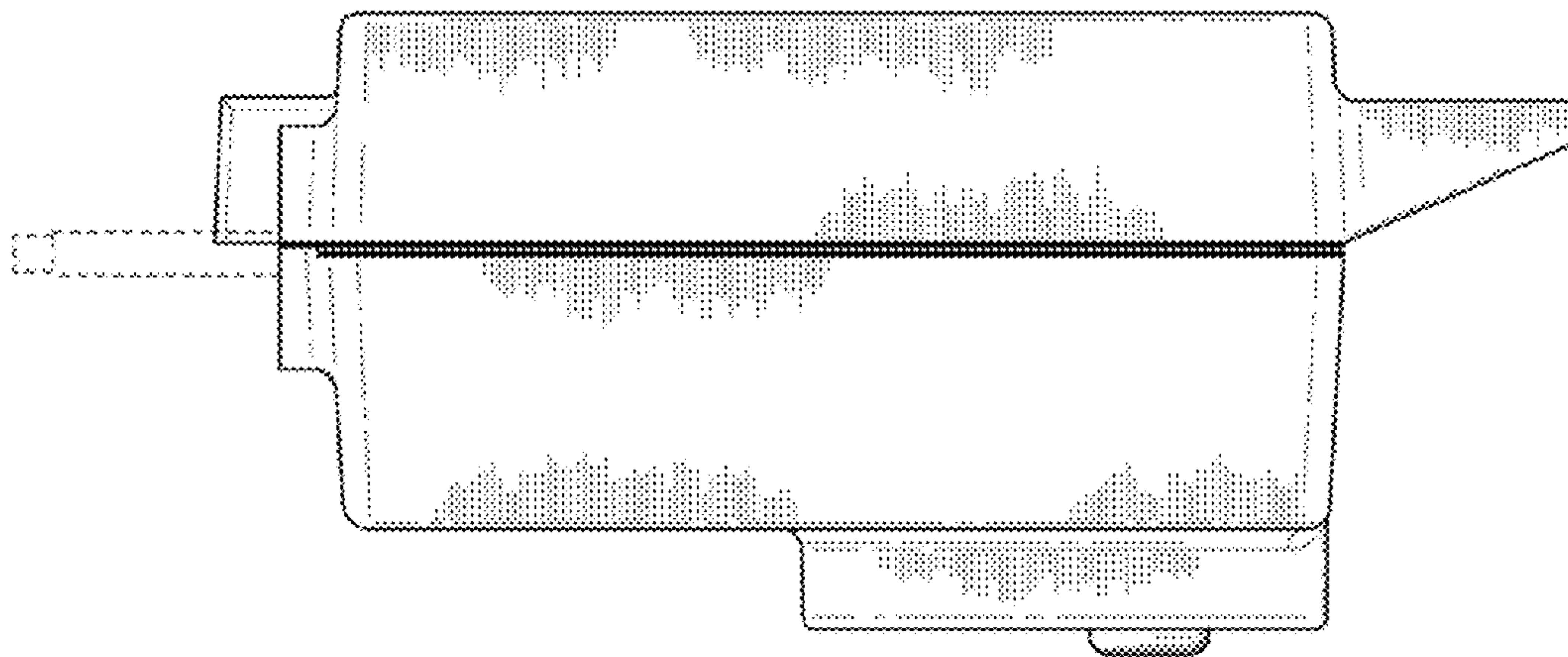


FIG. 5

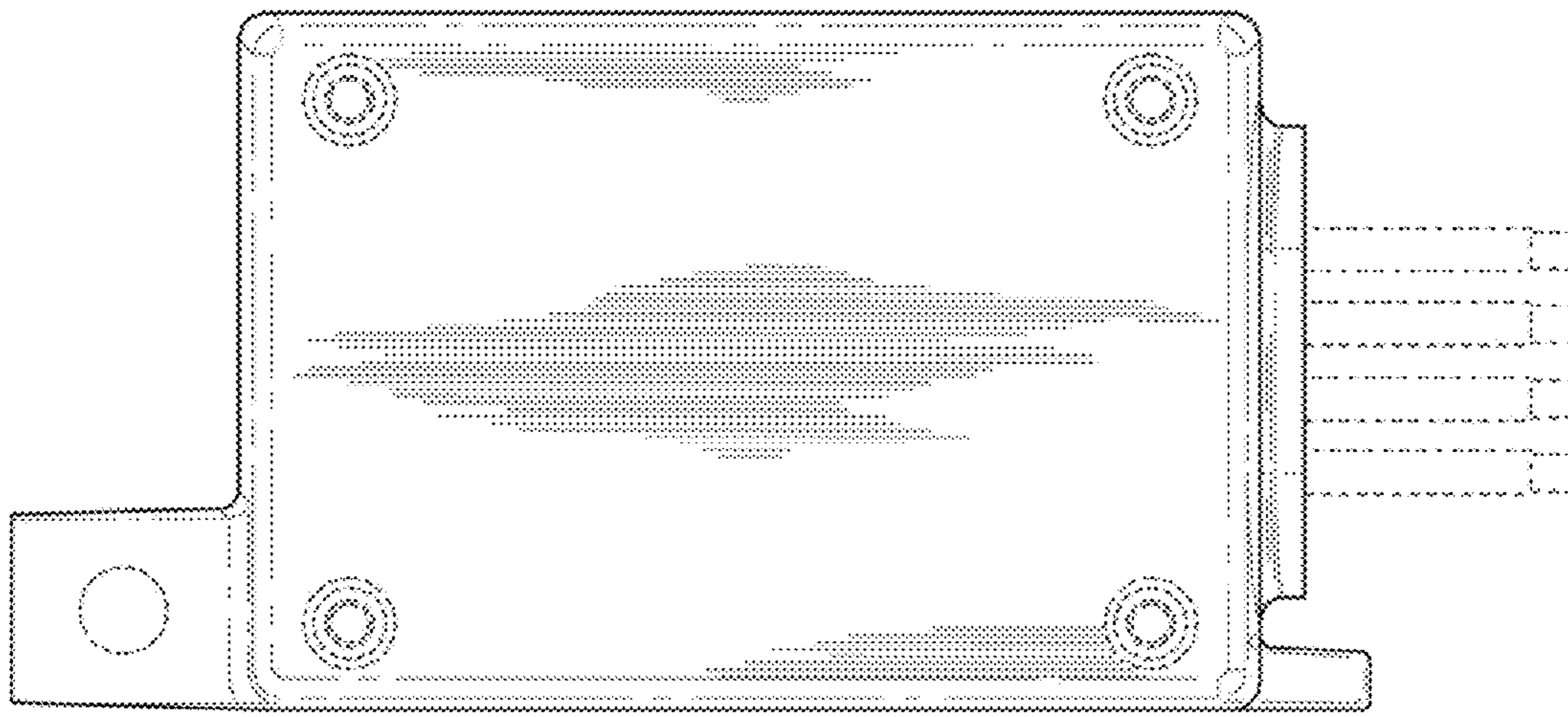


FIG. 6

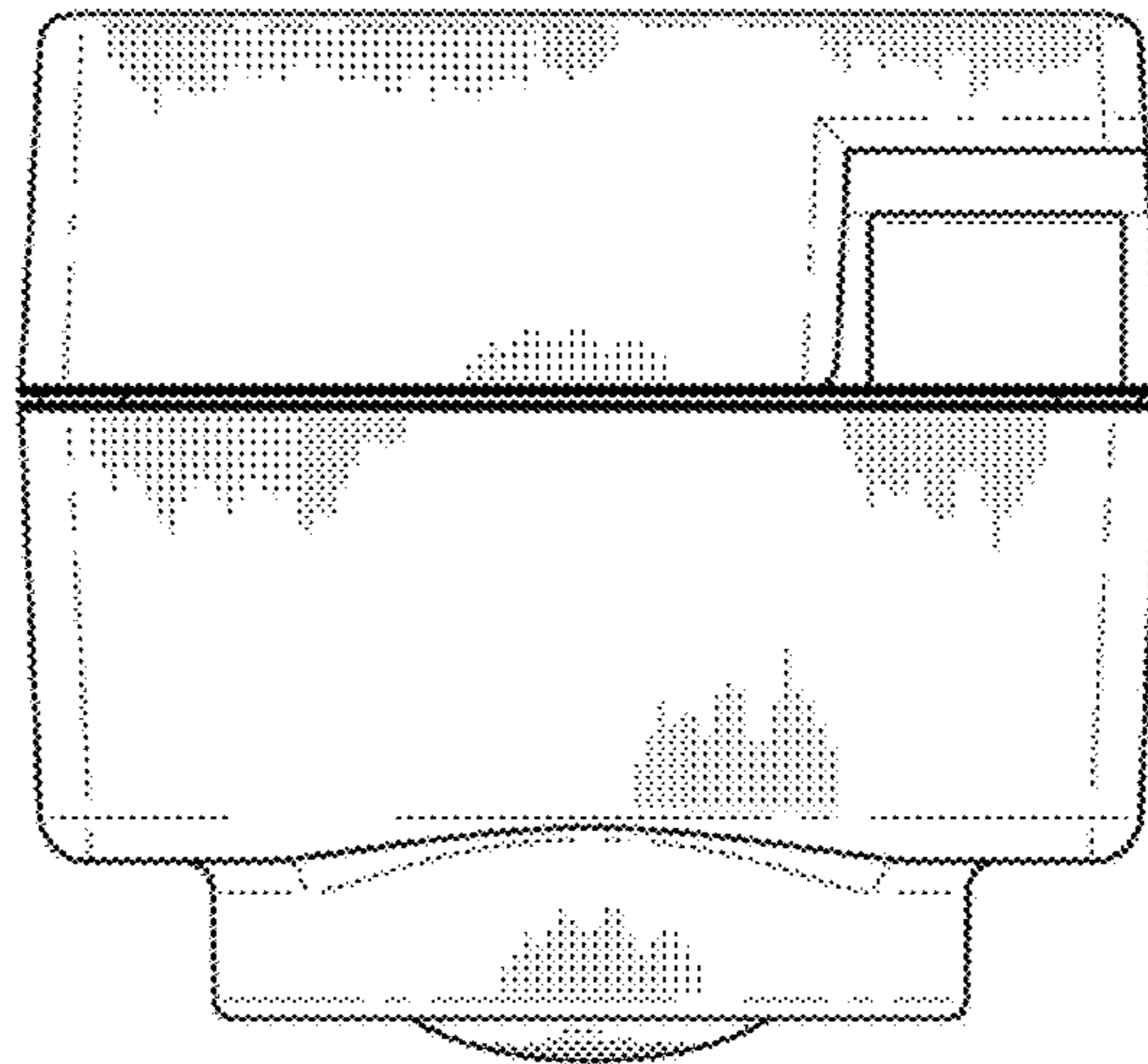


FIG. 7

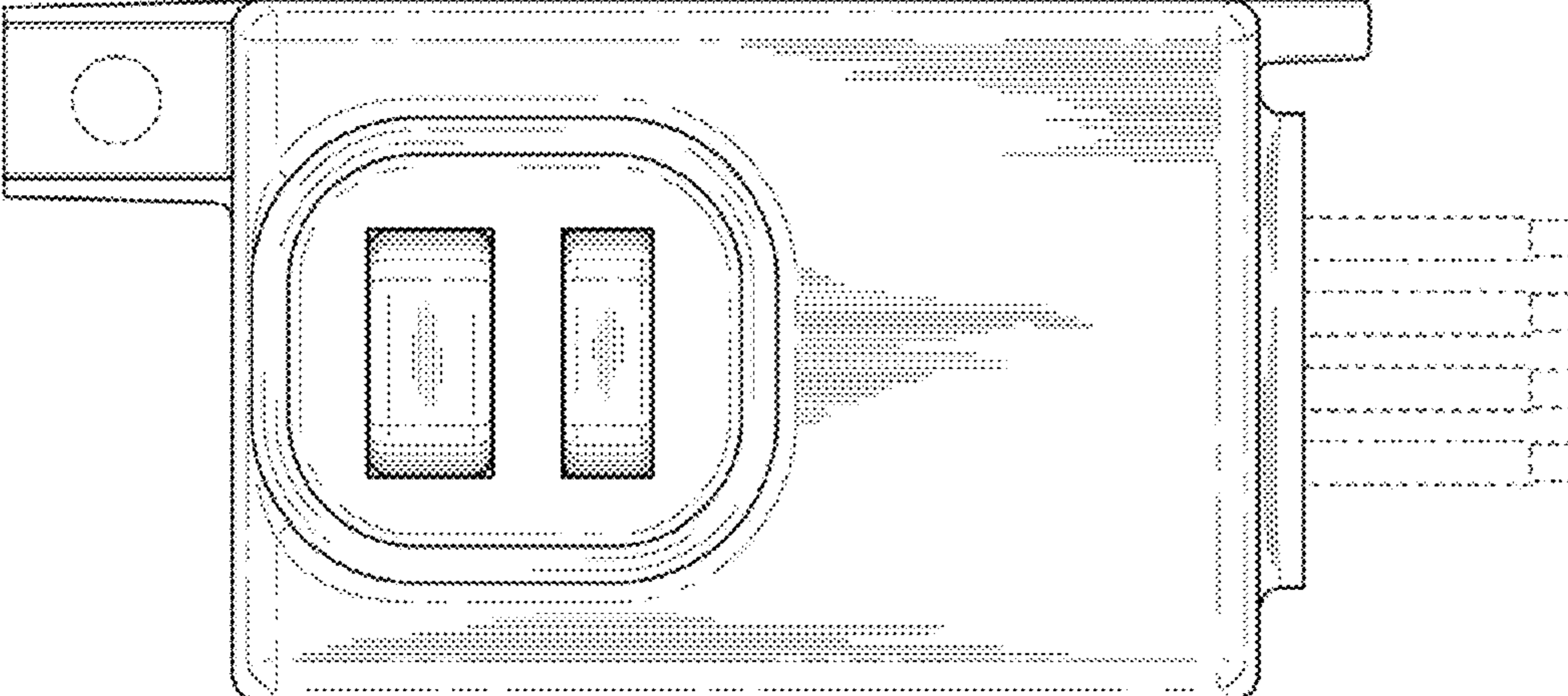


FIG. 8