



US00D722570S

(12) **United States Design Patent**
Choi et al.

(10) **Patent No.:** **US D722,570 S**

(45) **Date of Patent:** **** Feb. 17, 2015**

(54) **ELECTRICAL CONTACT DEVICE**

(71) Applicant: **Samsung Electronics Co., Ltd.**,
Suwon-si, Gyeonggi-do (KR)

(72) Inventors: **Jong-Chul Choi**, Suwon-si (KR);
Hyun-Ju Hong, Hwaseong-si (KR);
Hyung-Jin Park, Yongin-si (KR);
Seok-Hyun Yoon, Yongin-si (KR); **Gun**
Lim, Anyang-si (KR); **Chang-Ryong**
Heo, Suwon-si (KR)

(73) Assignee: **Samsung Electronics Co., Ltd.** (KR)

(**) Term: **14 Years**

(21) Appl. No.: **29/488,272**

(22) Filed: **Apr. 17, 2014**

(30) **Foreign Application Priority Data**

Oct. 25, 2013 (KR) 30-2013-0053747
Oct. 25, 2013 (KR) 30-2013-0053757
Oct. 25, 2013 (KR) 30-2013-0053762
Oct. 25, 2013 (KR) 30-2013-0053775
Oct. 25, 2013 (KR) 30-2013-0053776

(51) **LOC (10) Cl.** **13-03**

(52) **U.S. Cl.**
USPC **D13/154**

(58) **Field of Classification Search**
USPC D13/147, 154, 184, 194; 439/476.1,
439/502, 505, 607.01, 607.04, 607.05,
439/607.17, 607.25, 607.34, 607.41,
439/607.53, 623, 660, 668, 680, 792, 839,
439/842, 843, 845, 846, 849, 850, 865, 866,
439/867, 868, 869, 870, 871, 872, 873, 874,
439/875, 876, 877, 878, 879, 880, 881, 882,
439/883, 884, 885, 886, 887, 888, 889, 890,
439/891, 894

See application file for complete search history.

(56) **References Cited**

U.S. PATENT DOCUMENTS

D555,095 S * 11/2007 Ho D13/133
D569,801 S * 5/2008 Chuang D13/133
7,510,448 B2 * 3/2009 Eppe et al. 439/835

(Continued)

Primary Examiner — Daniel Bui
(74) *Attorney, Agent, or Firm* — Cantor Colburn LLP

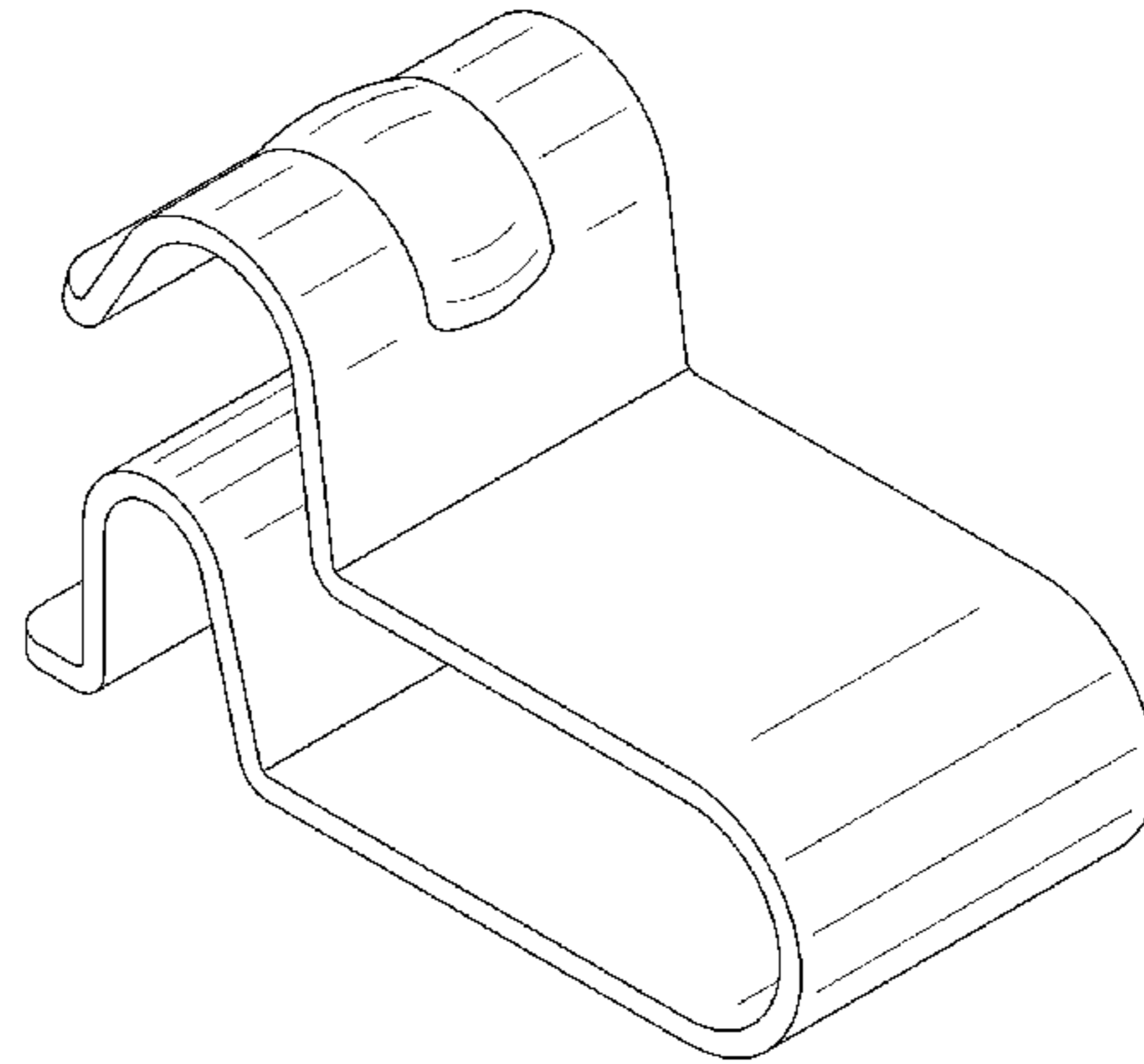
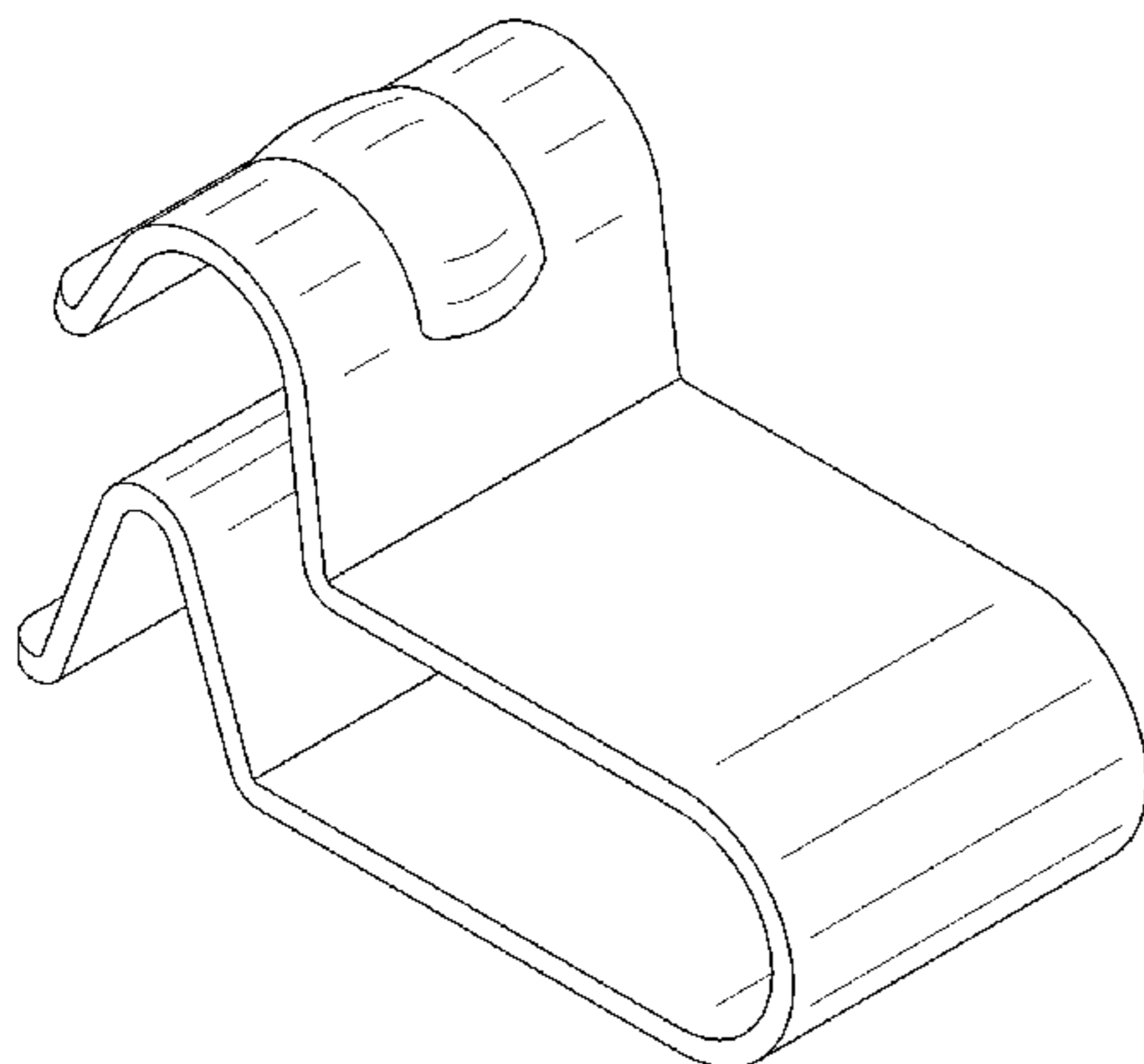
(57) **CLAIM**

We claim, the ornamental design for an electrical contact device, as shown and described.

DESCRIPTION

FIG. 1 is a front perspective view of a first embodiment of an electrical contact device showing our new design;
FIG. 2 is a front view thereof;
FIG. 3 is a rear view thereof;
FIG. 4 is a side view thereof;
FIG. 5 is another side view thereof;
FIG. 6 is a top view thereof;
FIG. 7 is a bottom view thereof;
FIG. 8 is a rear perspective view thereof;
FIG. 9 is a front perspective view of a second embodiment thereof;
FIG. 10 is a front view thereof;
FIG. 11 is a rear view thereof;
FIG. 12 is a front perspective view of a third embodiment thereof;
FIG. 13 is a front view thereof;
FIG. 14 is a rear view thereof;
FIG. 15 is a front perspective view of a fourth embodiment thereof;
FIG. 16 is a front view thereof;
FIG. 17 is a rear view thereof;
FIG. 18 is a front perspective view of a fifth embodiment thereof;
FIG. 19 is a front view thereof; and,
FIG. 20 is a rear view thereof.
The shade lines in the figures show contour and not surface ornamentation.

1 Claim, 13 Drawing Sheets



(56)

References Cited

U.S. PATENT DOCUMENTS

8,206,188 B1 *	6/2012	Zhang et al.	439/862
D704,666 S *	5/2014	Sasano et al.	D13/154
2014/0227918 A1 *	8/2014	Norridge et al.	439/884
7,927,158 B2 *	4/2011	Kim et al.	439/816
D644,177 S *	8/2011	de Bruijn et al.	D13/120
D660,248 S *	5/2012	Zhang et al.	D13/154

* cited by examiner

FIG.1

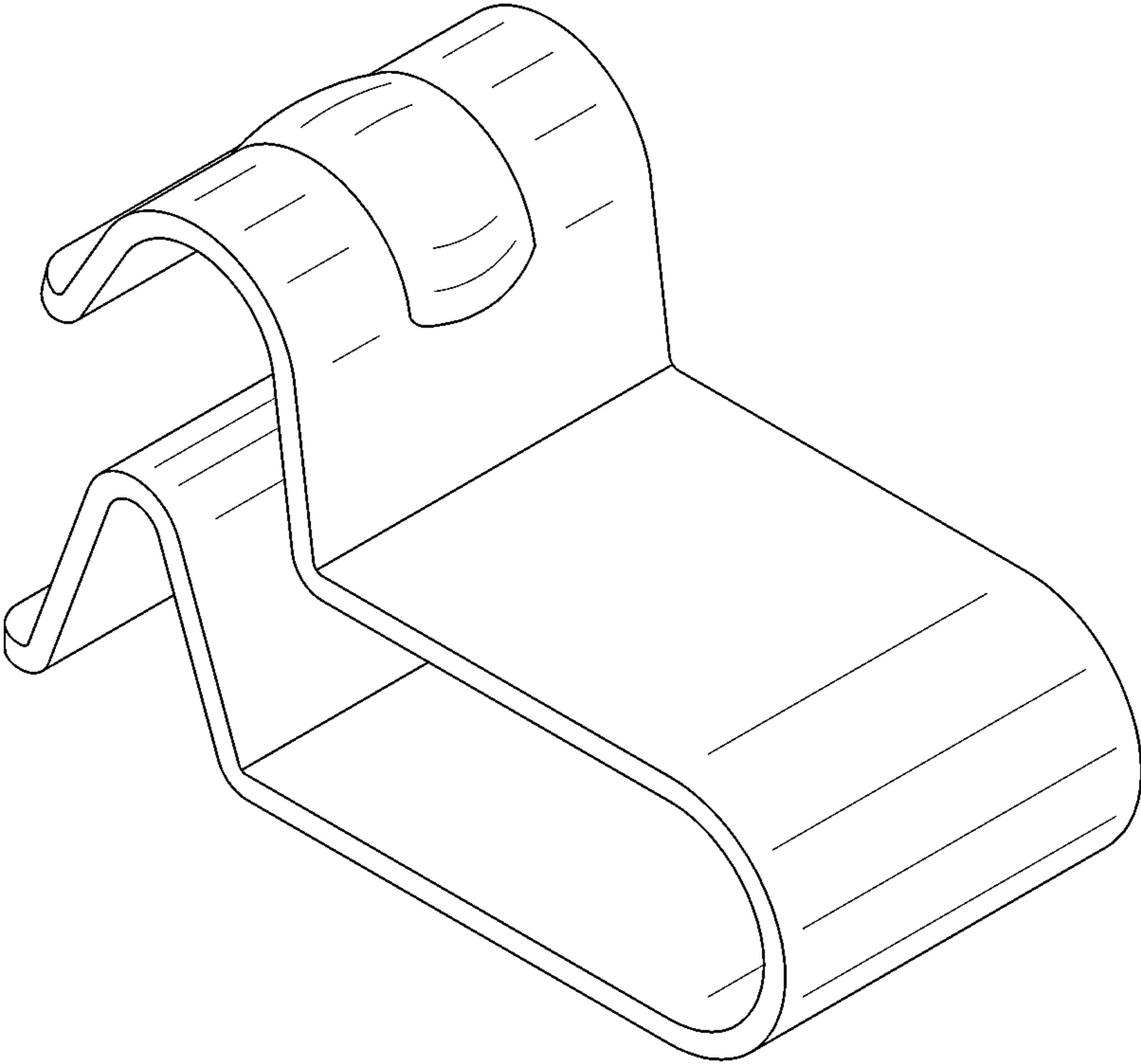


FIG.2

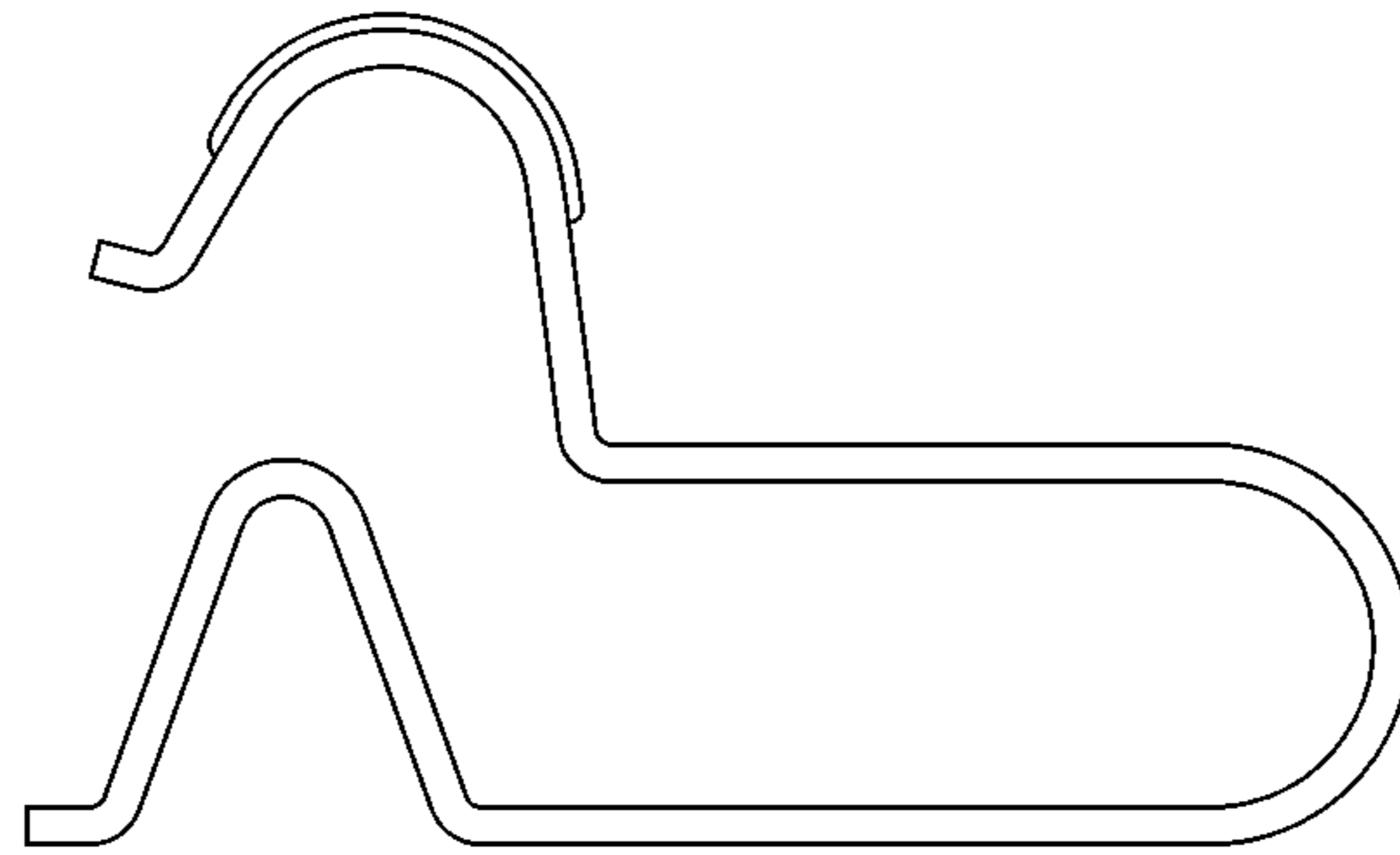


FIG.3

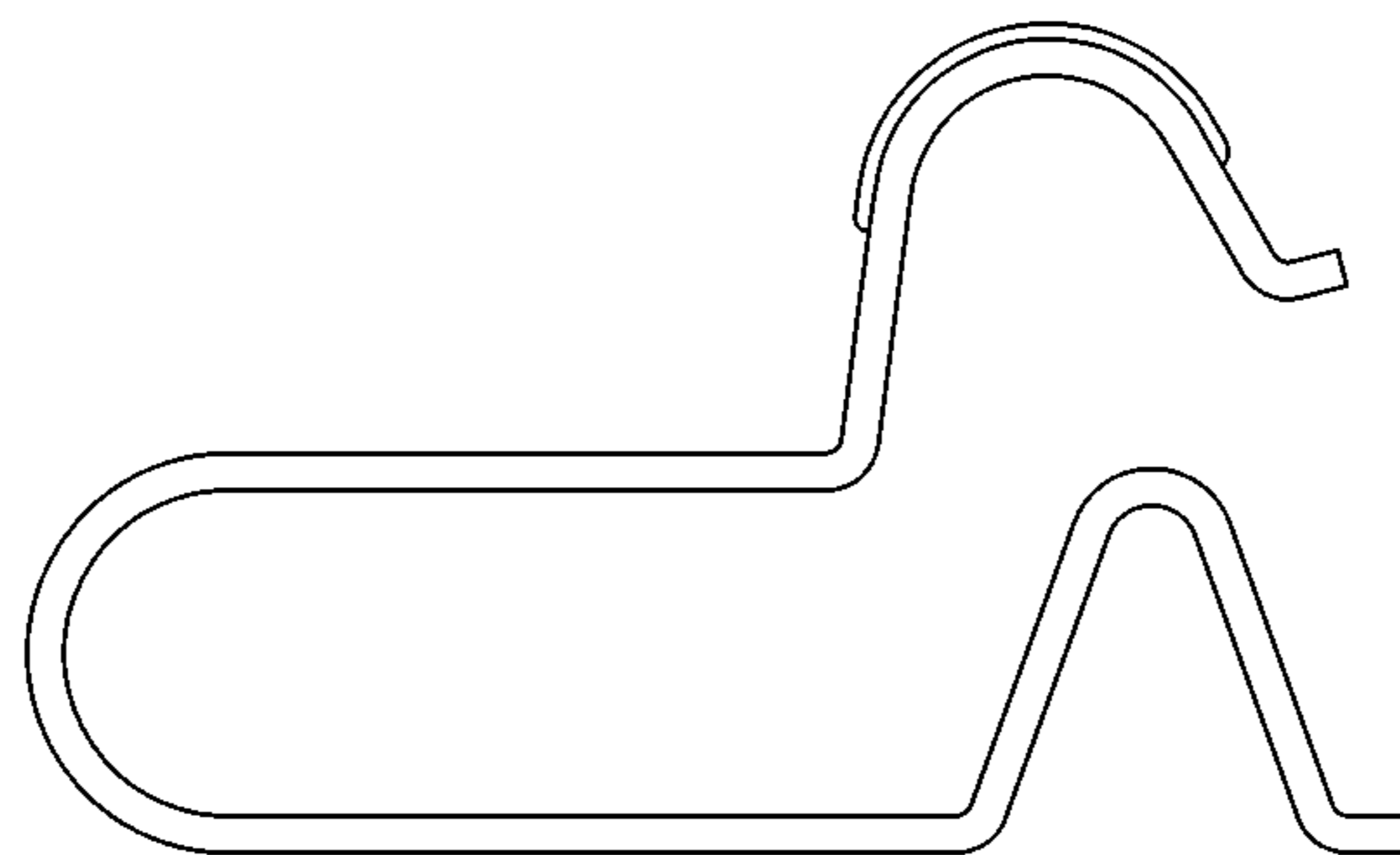


FIG.4

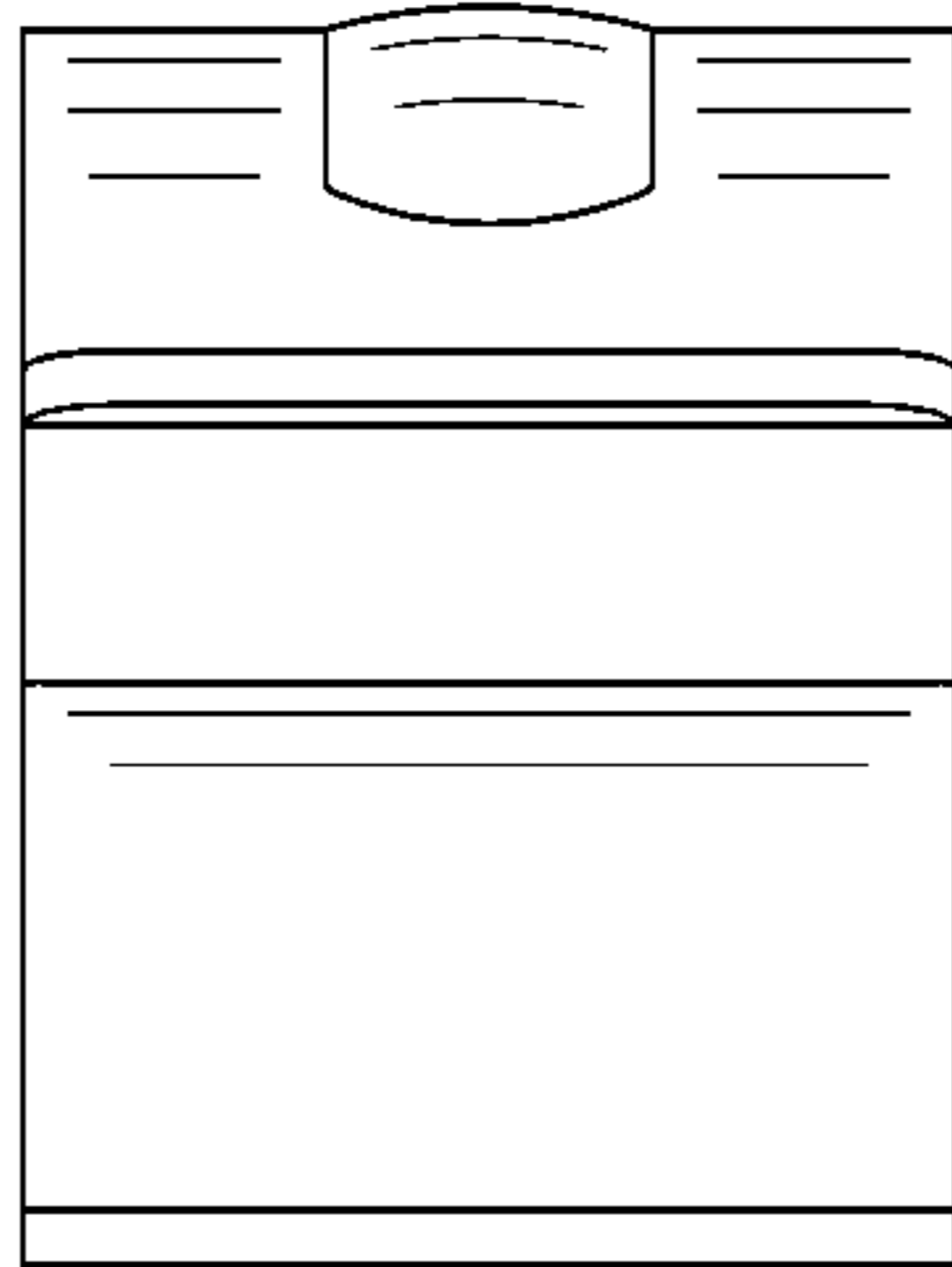


FIG.5

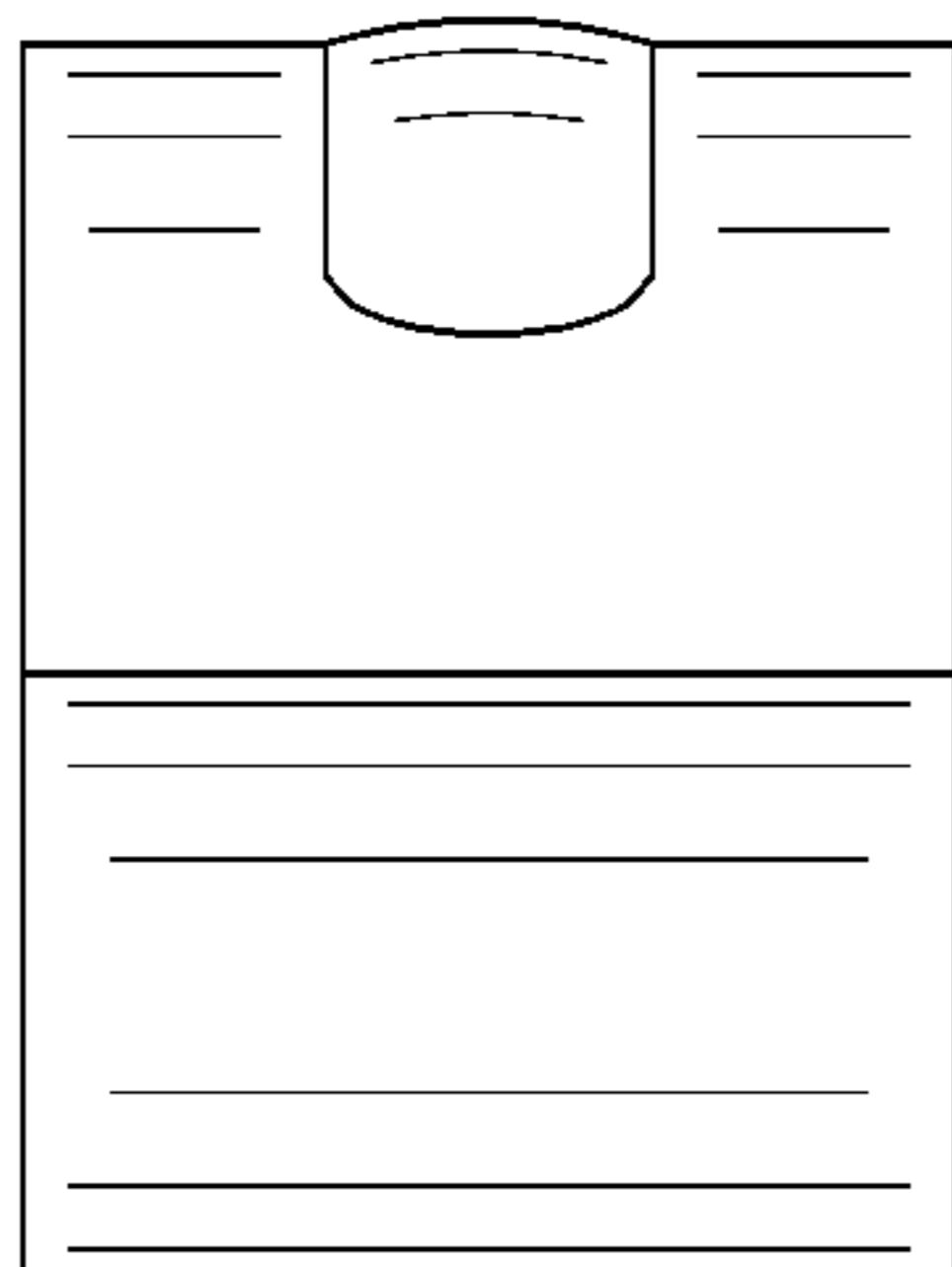


FIG.6

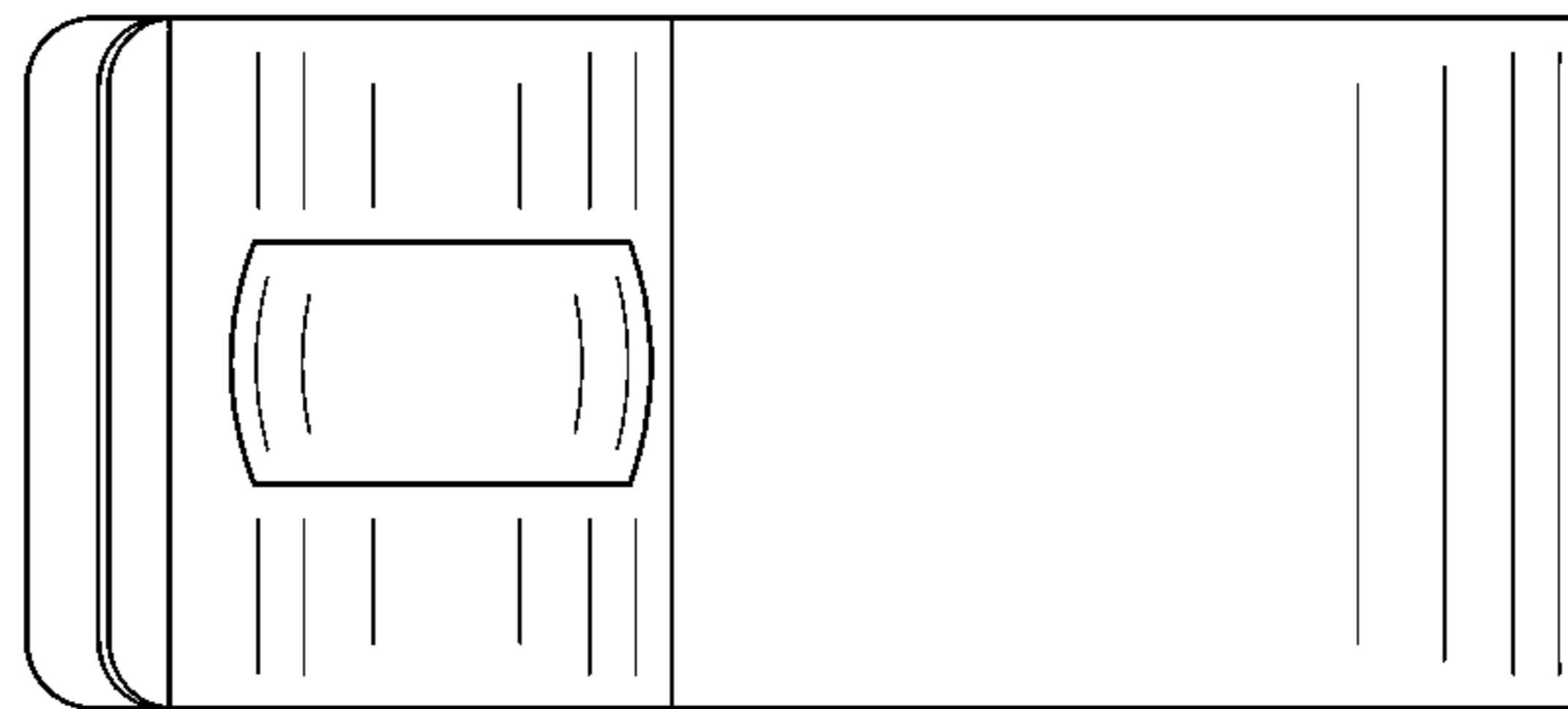


FIG.7

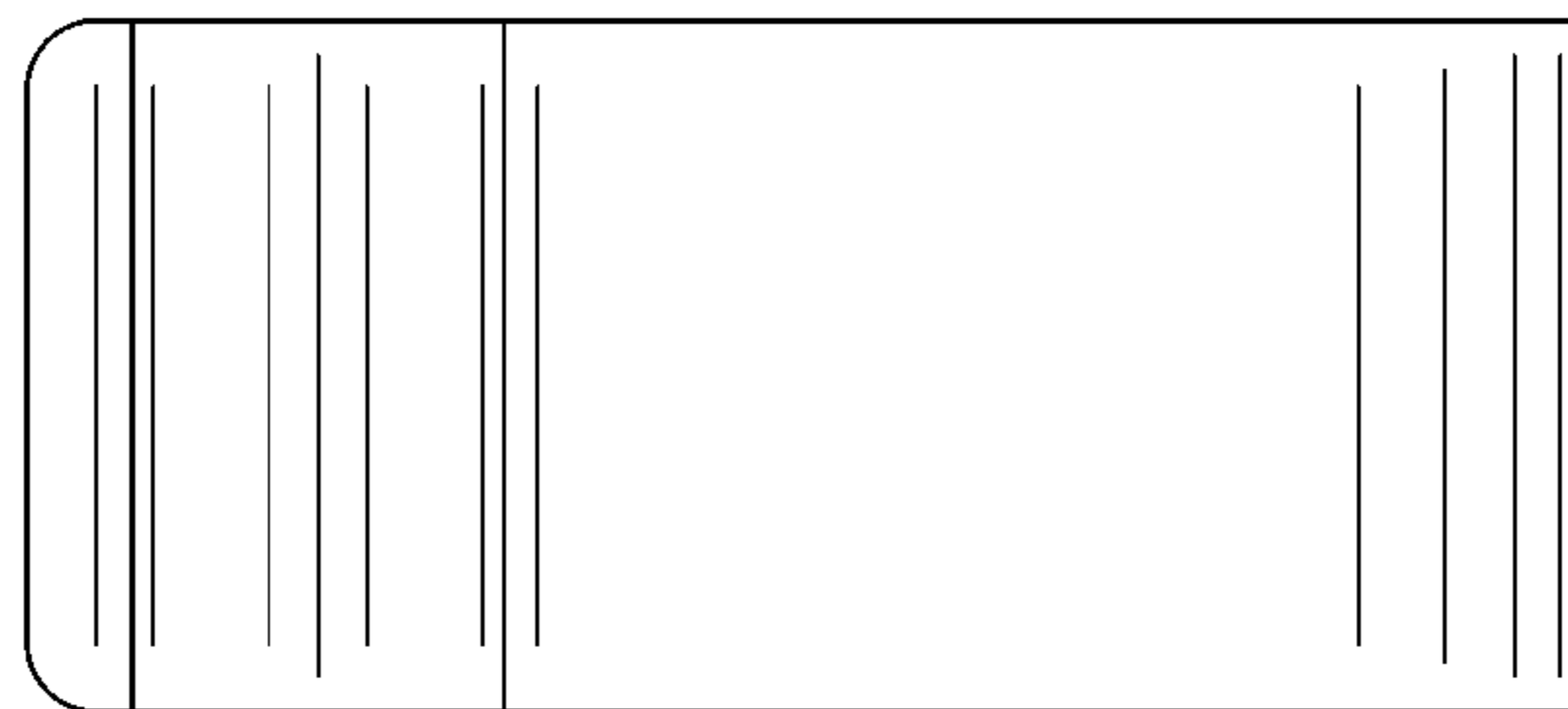


FIG.8

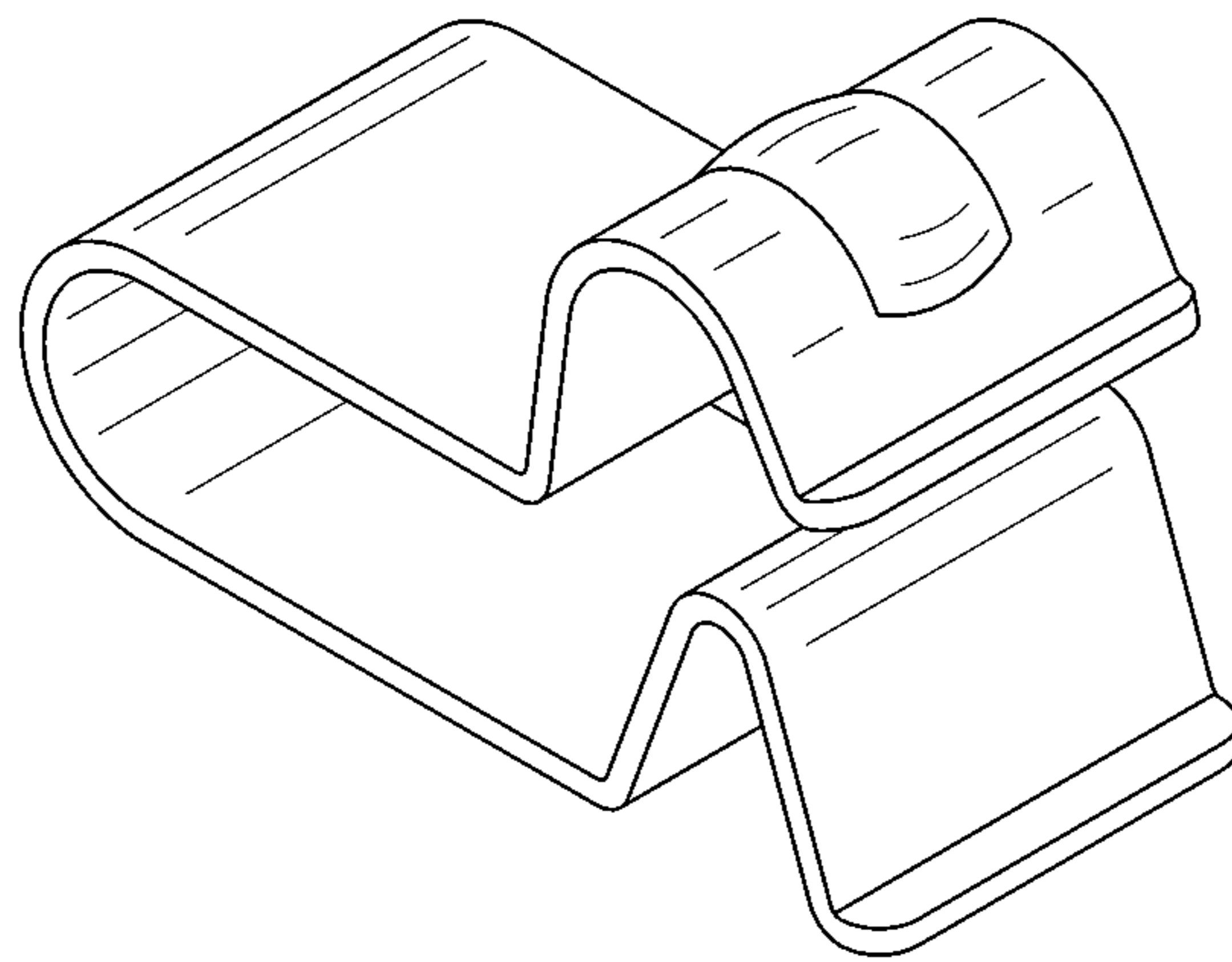


FIG.9

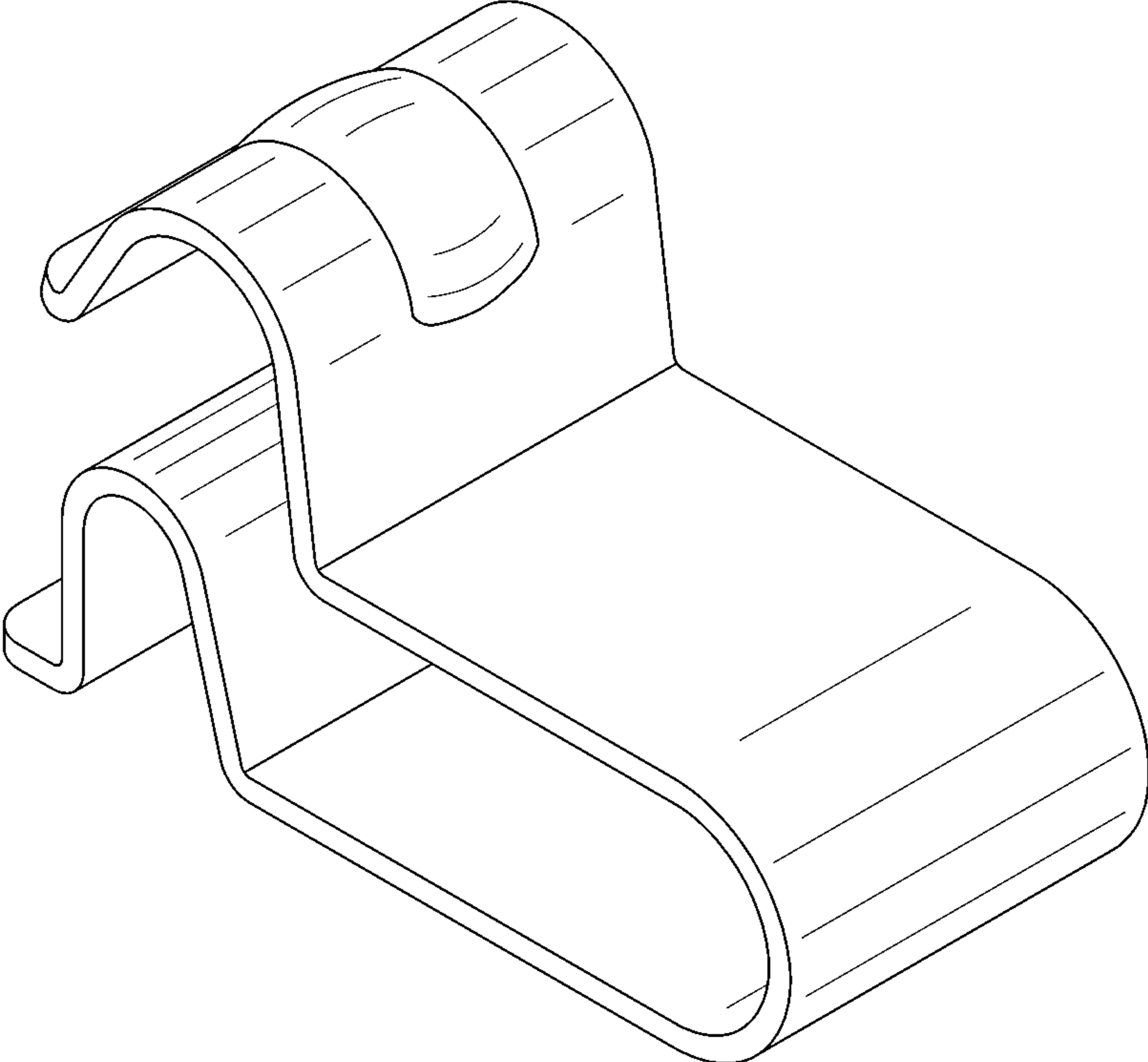


FIG.10

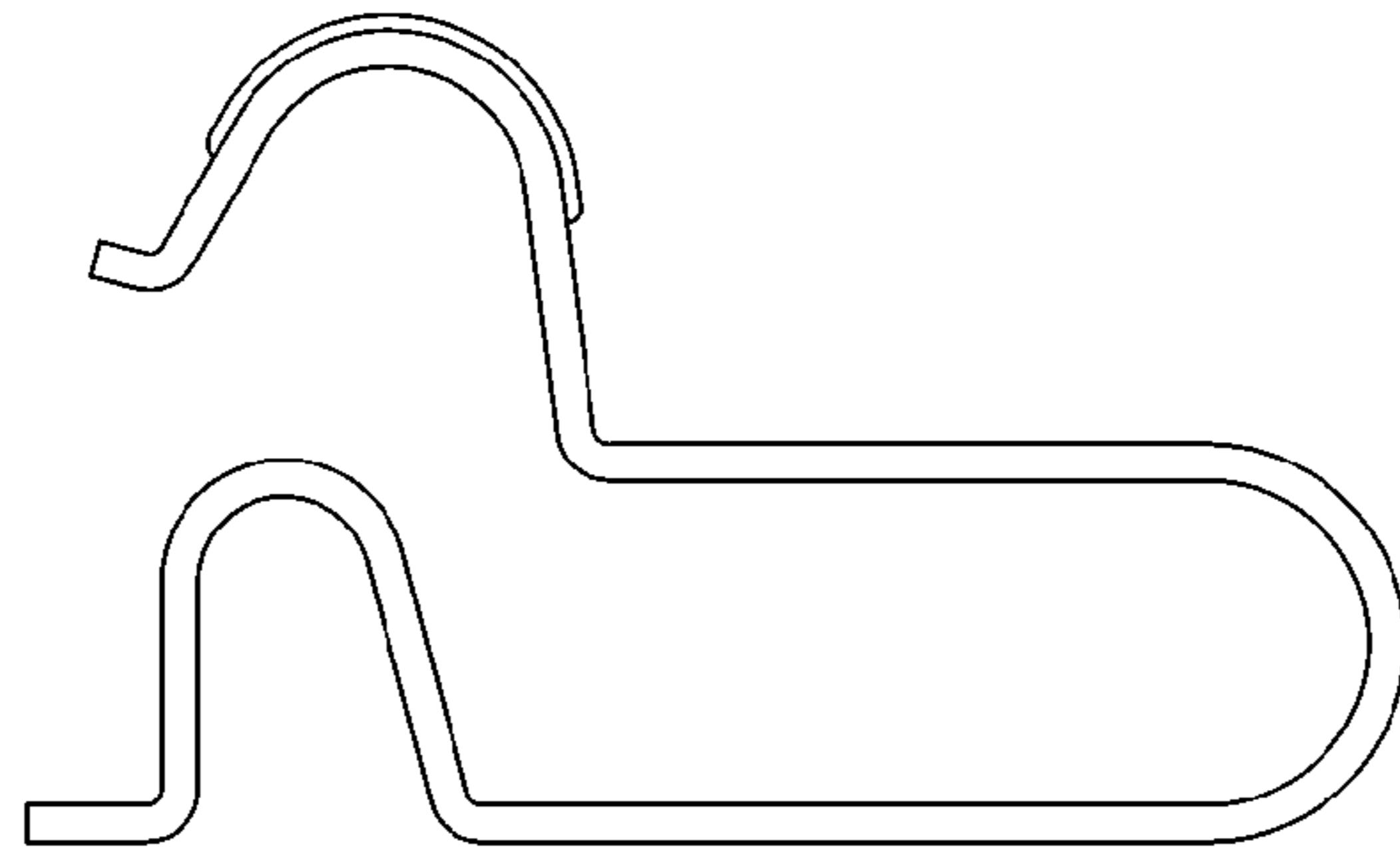


FIG.11

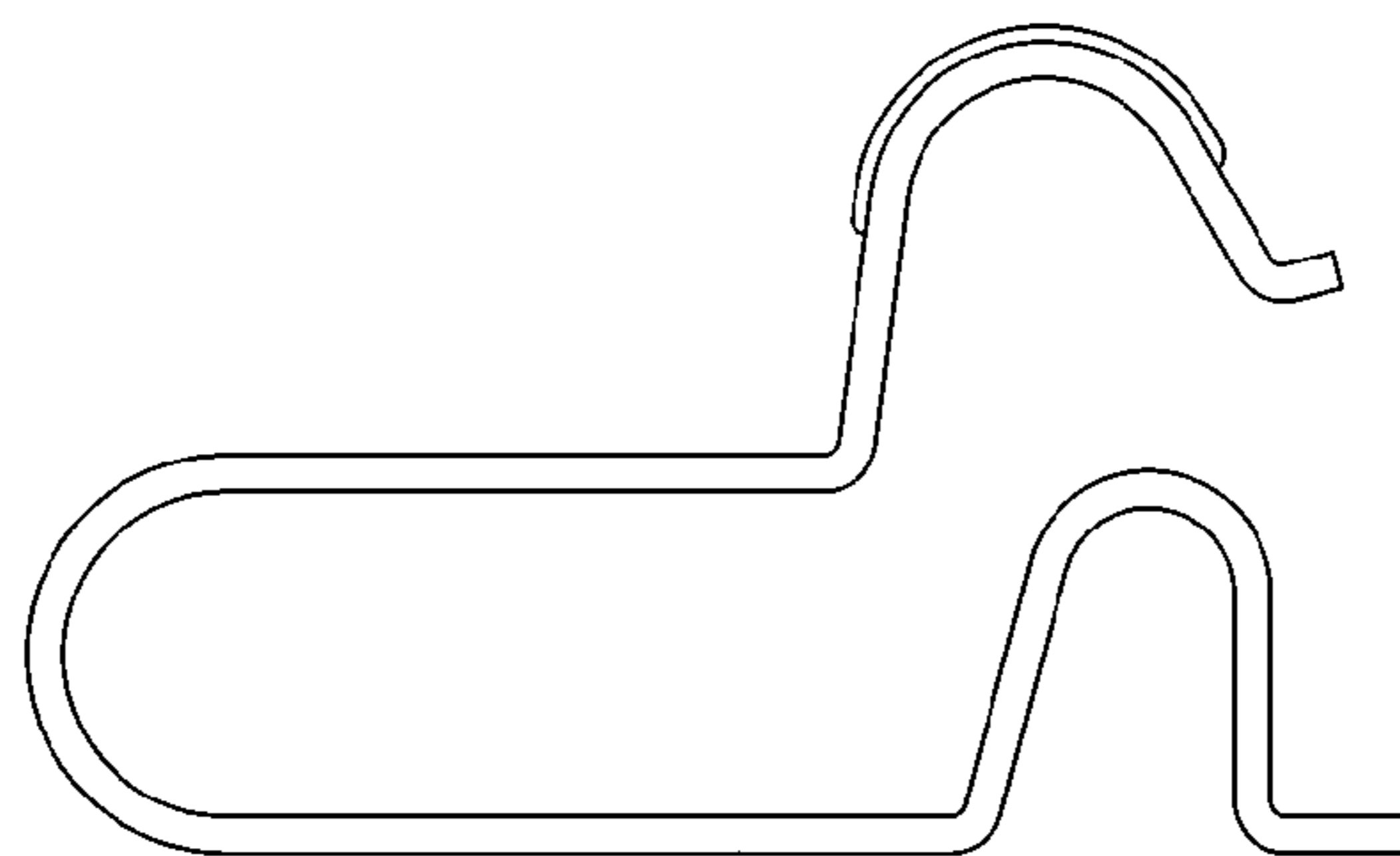


FIG. 12

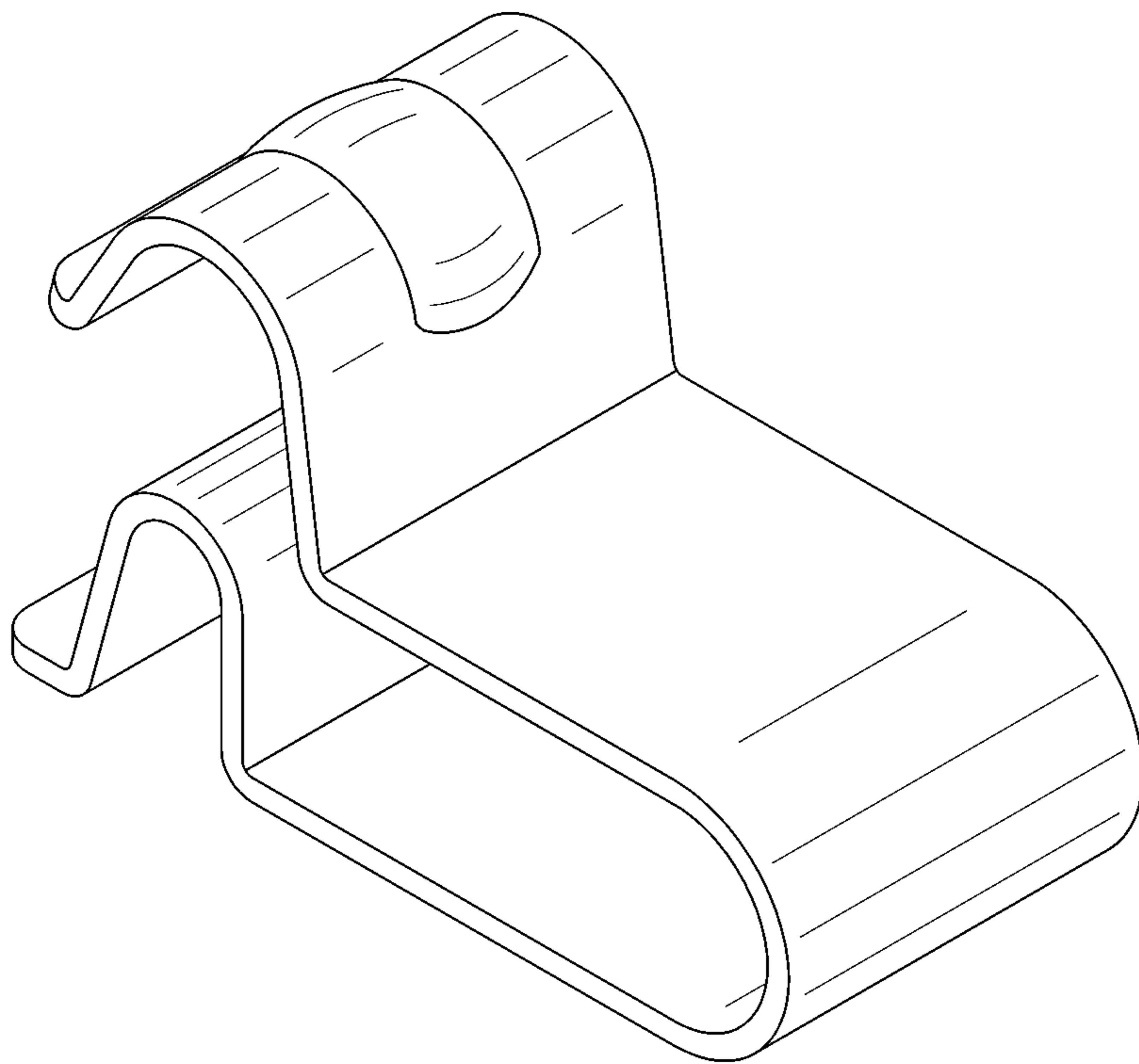


FIG.13

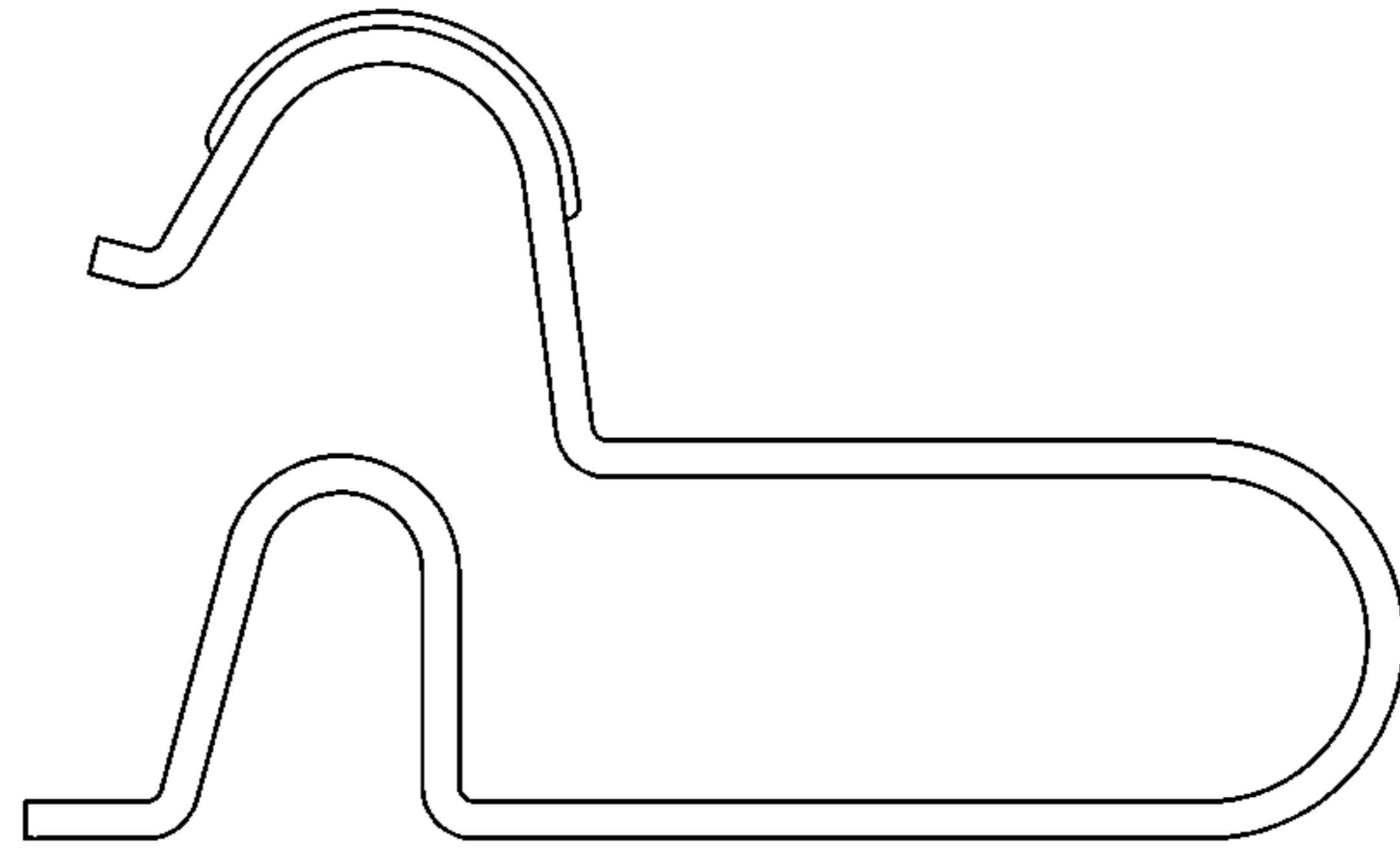


FIG.14

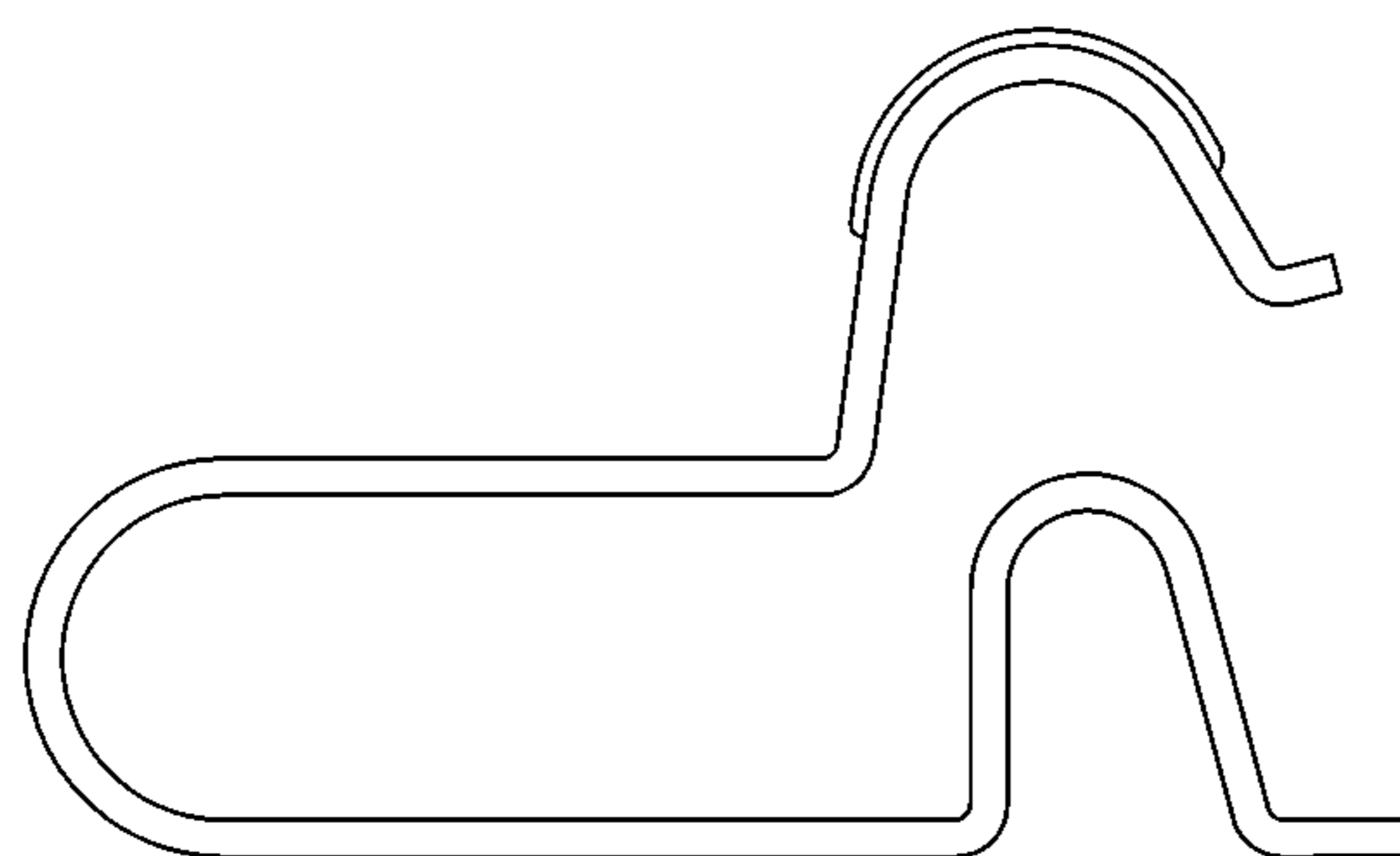


FIG.15

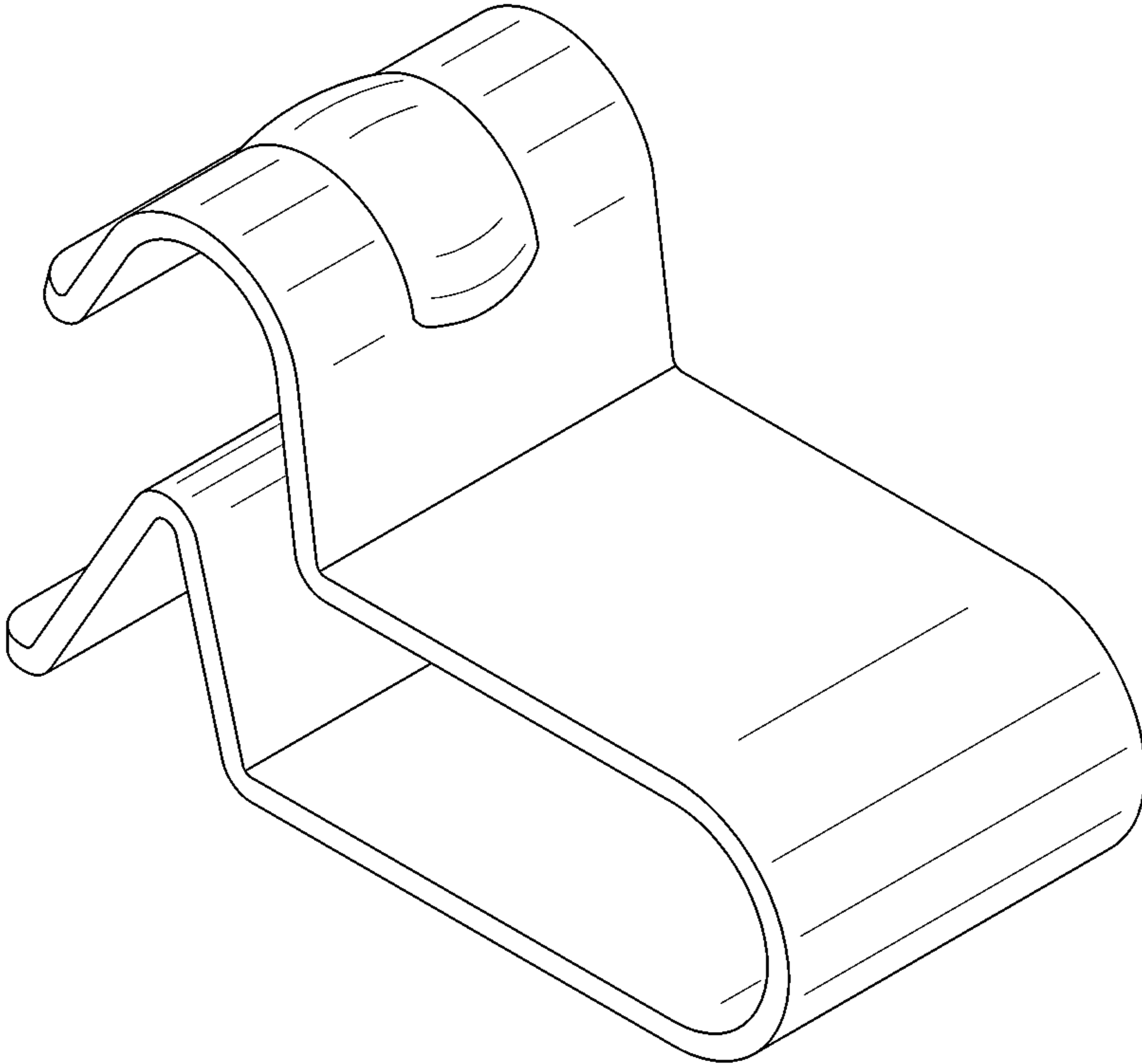


FIG.16

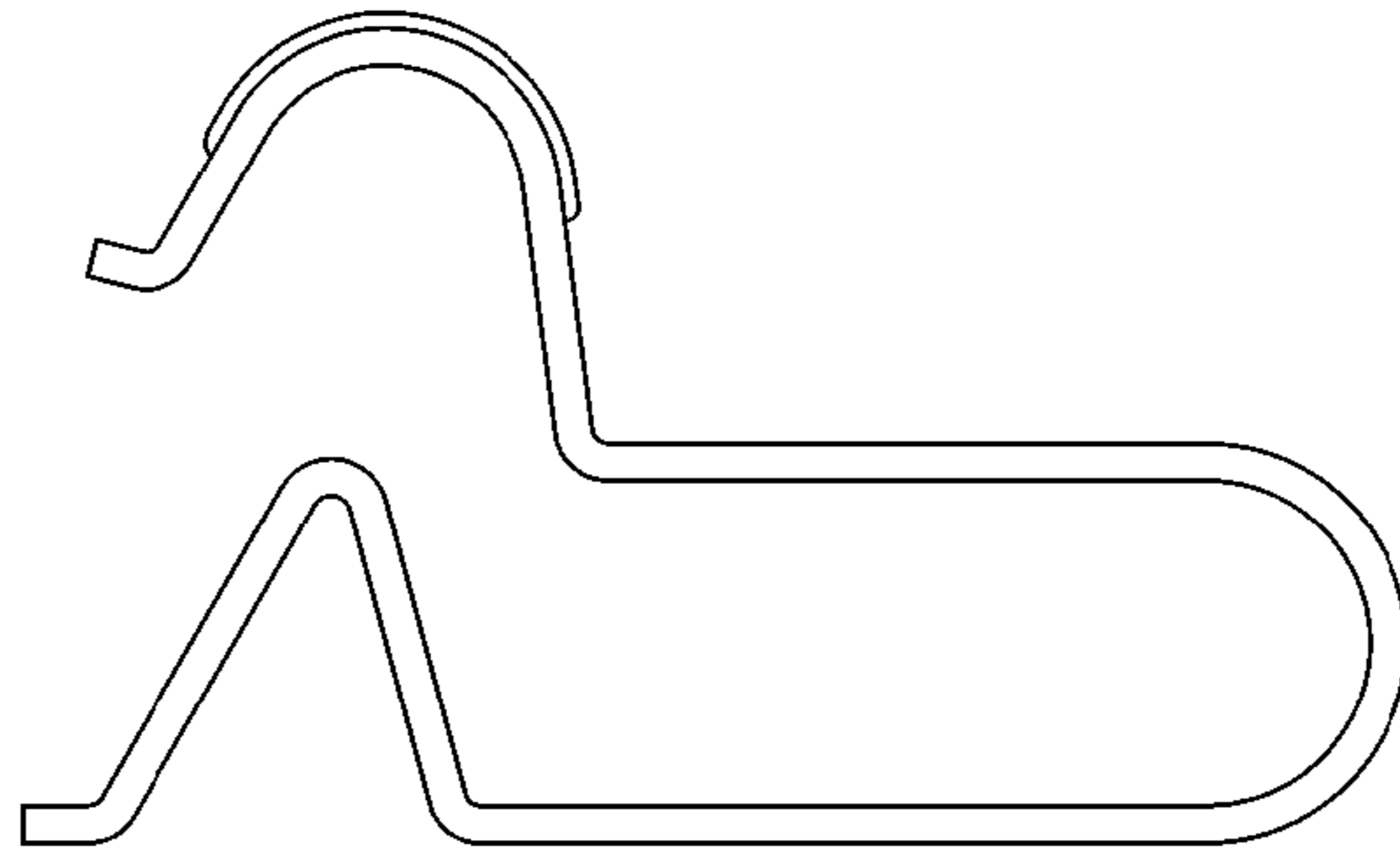


FIG.17

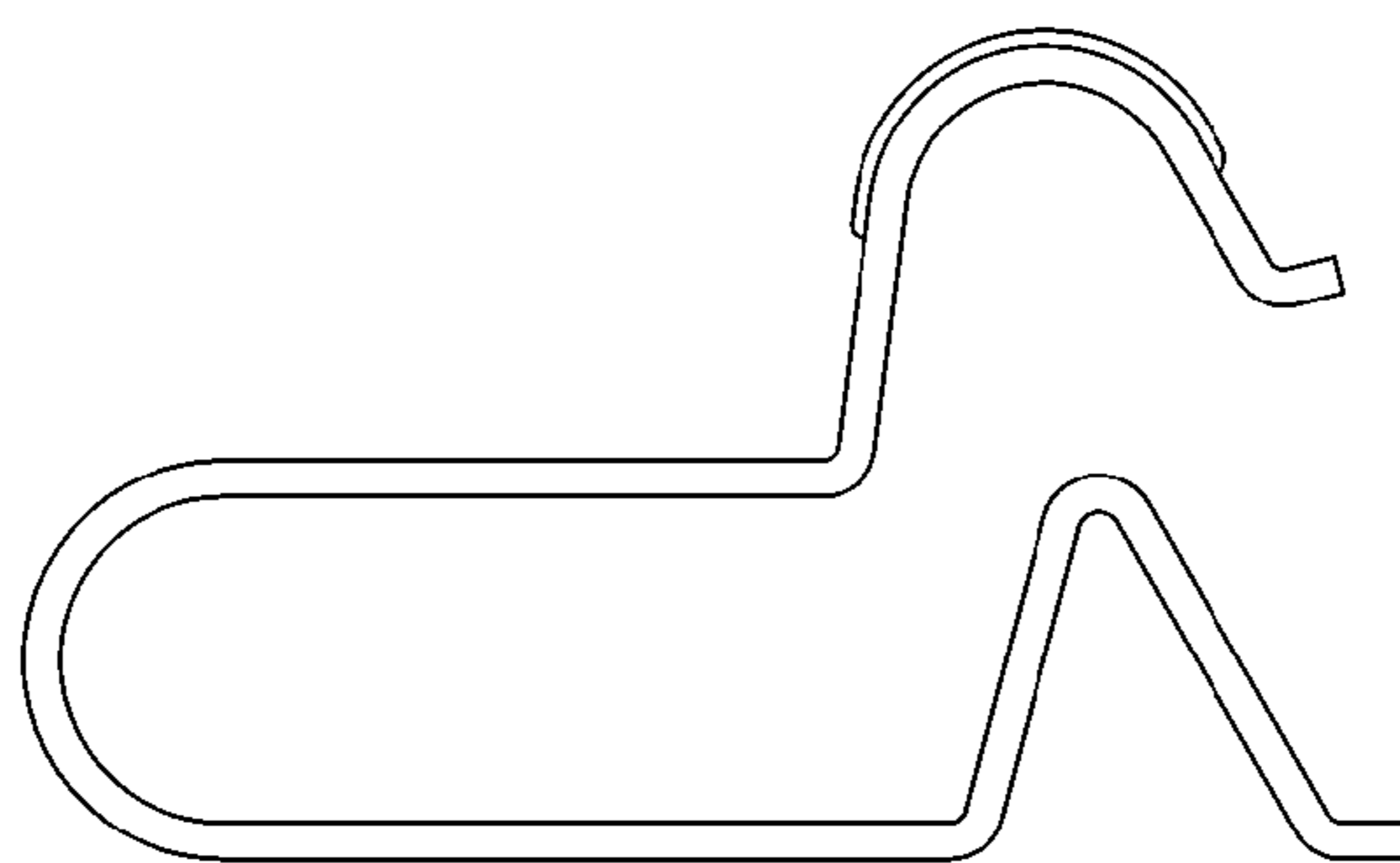


FIG.18

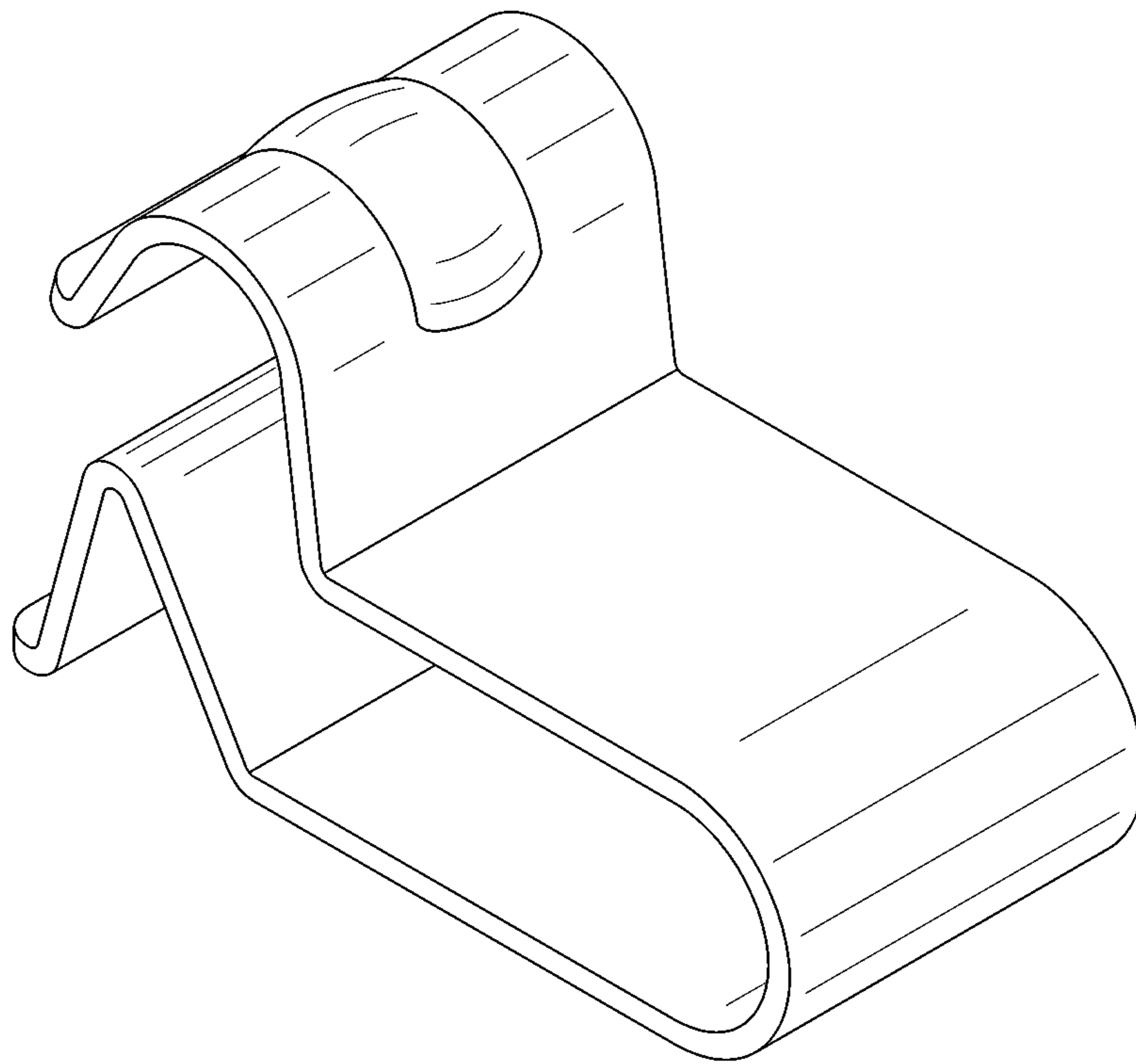


FIG.19

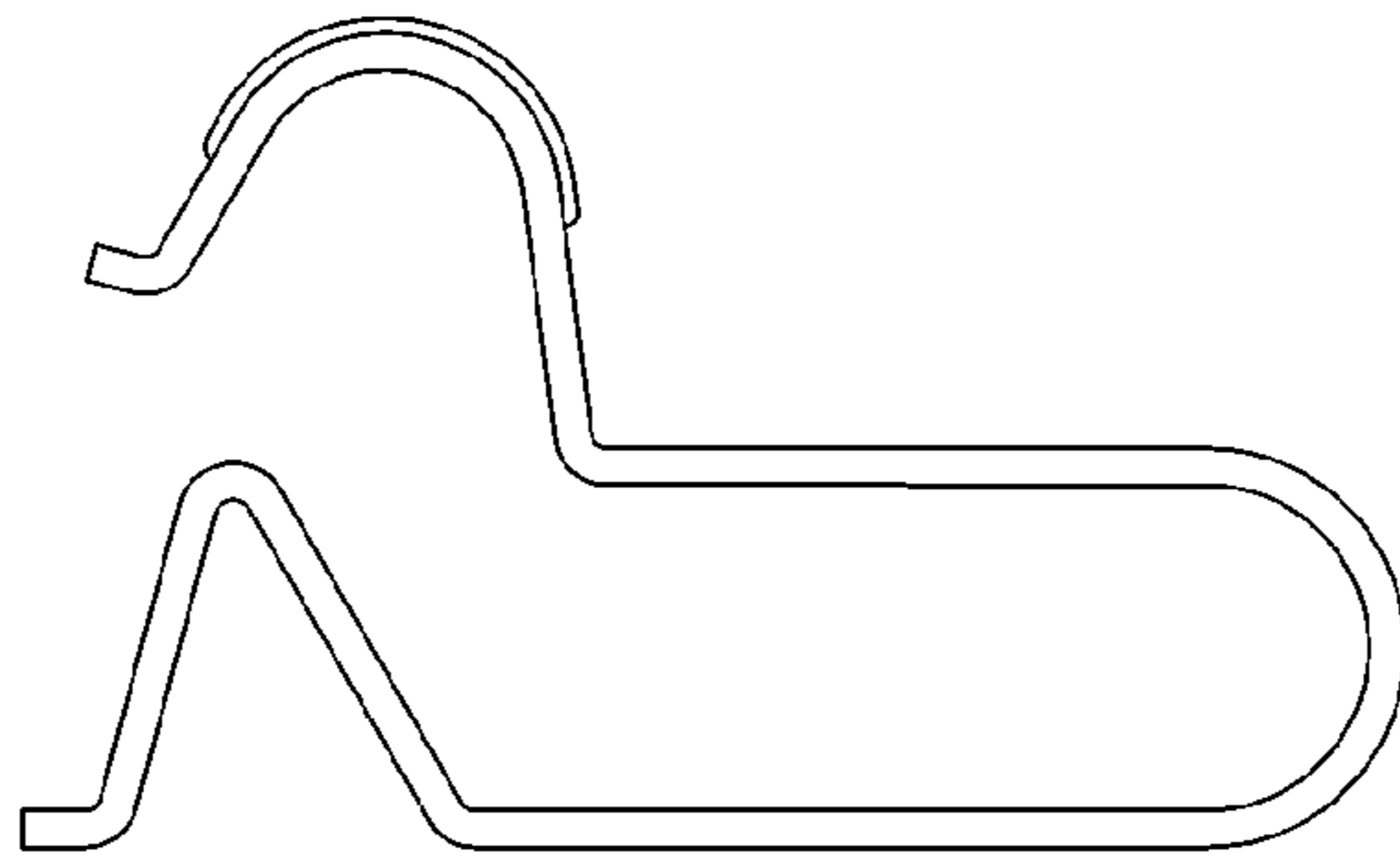


FIG.20

