

US00D722569S

(12) **United States Design Patent**
Osborne

(10) **Patent No.:** **US D722,569 S**

(45) **Date of Patent:** **** Feb. 17, 2015**

(54) **ELECTRICAL BOX WITH QUICK-CONNECT AND RELEASE CONNECTION APERTURES**

(71) Applicant: **John R Osborne**, Christiansburg, VA (US)

(72) Inventor: **John R Osborne**, Christiansburg, VA (US)

(**) Term: **14 Years**

(21) Appl. No.: **29/482,540**

(22) Filed: **Feb. 19, 2014**

(51) **LOC (10) Cl.** **13-03**

(52) **U.S. Cl.**
USPC **D13/152**

(58) **Field of Classification Search**
USPC D13/152, 156, 154, 139.1-139.8, 162, D13/164, 118, 122, 184, 177, 147; 439/535, 439/536; 174/54, 55, 58, 53, 66, 50; D14/217, 385

See application file for complete search history.

(56) **References Cited**

U.S. PATENT DOCUMENTS

2,410,287	A	10/1946	Jaberg	
3,510,822	A	5/1970	Patterson	
3,716,651	A	2/1973	Werner	
5,180,886	A *	1/1993	Dierenbach et al.	174/66
5,670,743	A	9/1997	Welch et al.	
6,259,023	B1	7/2001	Reiker	
6,799,982	B2	10/2004	Kerr, Jr.	
6,945,815	B1	9/2005	Mullally	
7,166,801	B1 *	1/2007	Gretz	174/53

7,456,358	B2 *	11/2008	Swiencicki et al.	174/66
7,572,976	B1	8/2009	Merrill	
D626,509	S *	11/2010	Severing	D13/147
8,124,872	B2 *	2/2012	Vigorito et al.	174/50
8,334,459	B2 *	12/2012	Chaumeny et al.	174/66
D676,814	S *	2/2013	Paul	D13/152
8,415,561	B2 *	4/2013	Gates et al.	174/50
8,569,619	B2 *	10/2013	Gretz	174/63
D700,893	S *	3/2014	Thomas et al.	D13/152
8,748,744	B2 *	6/2014	O'Connor et al.	174/53
8,779,284	B2 *	7/2014	Wagner et al.	174/50

* cited by examiner

Primary Examiner — Ian Simmons

Assistant Examiner — Rhea Shields

(74) *Attorney, Agent, or Firm* — Robert C. Montgomery; Montgomery Patent & Design

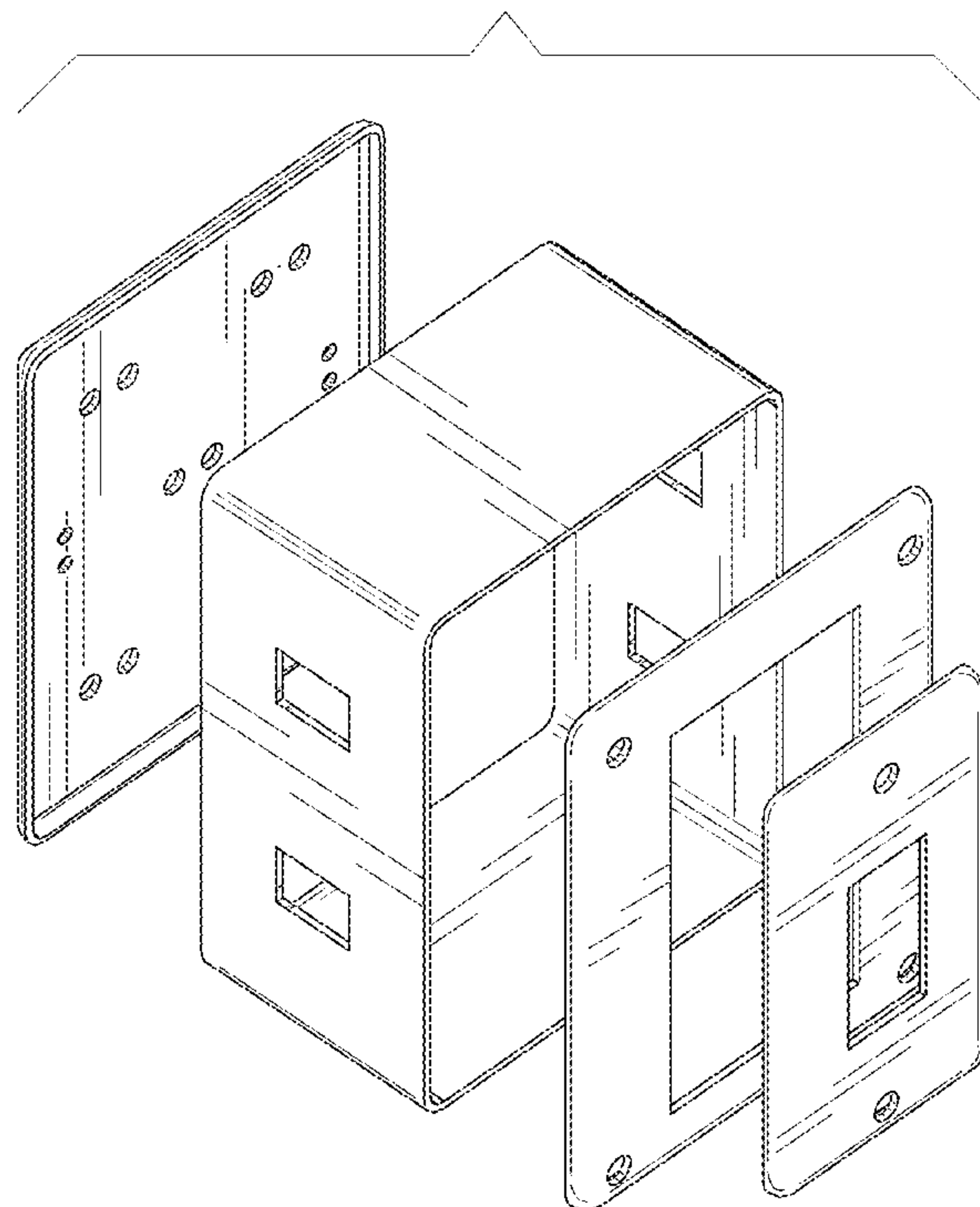
(57) **CLAIM**

The ornamental design for an electrical box with quick-connect and release connection apertures, as shown and described.

DESCRIPTION

FIG. 1 is an exploded front perspective view of an electrical box with quick-connect and release connection apertures; FIG. 2 is a front view thereof; FIG. 3 is a rear view thereof; FIG. 4 is a left-hand side view thereof, wherein a right-hand side view is a mirror image of the left-hand side view; and, FIG. 5 is a top view thereof, wherein a bottom view is a mirror image of the top view.

1 Claim, 5 Drawing Sheets



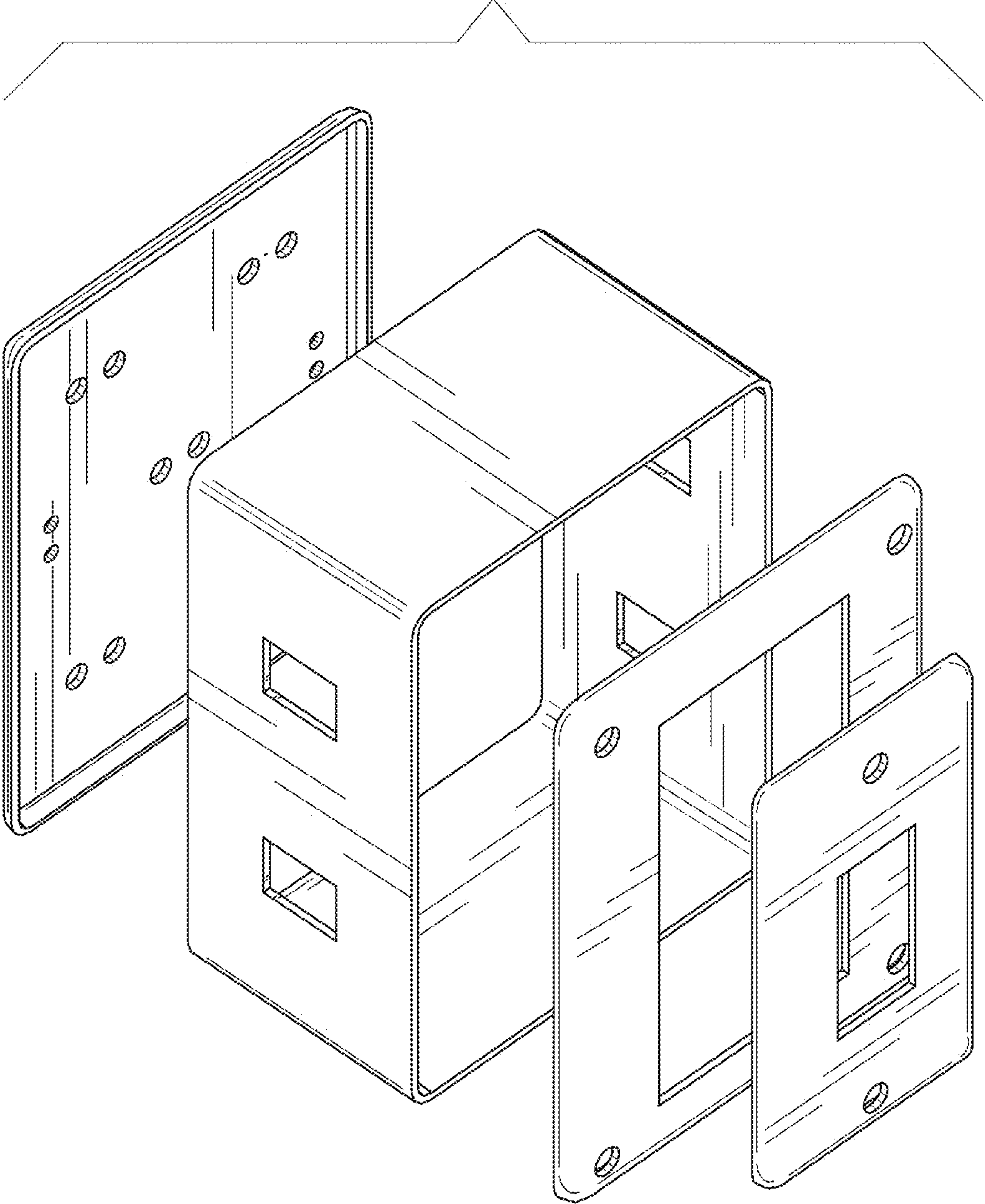


Fig. 1

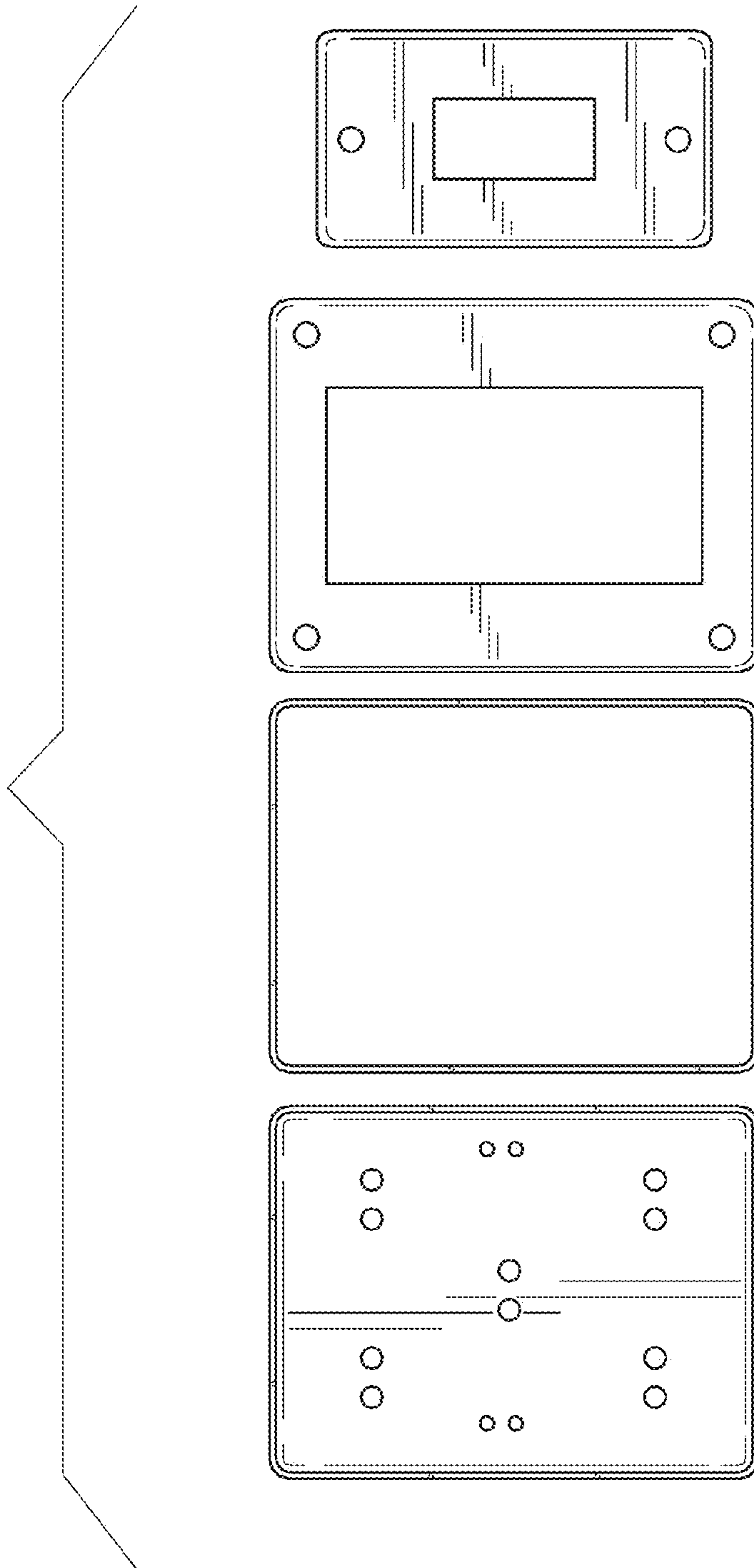


Fig. 2
Front

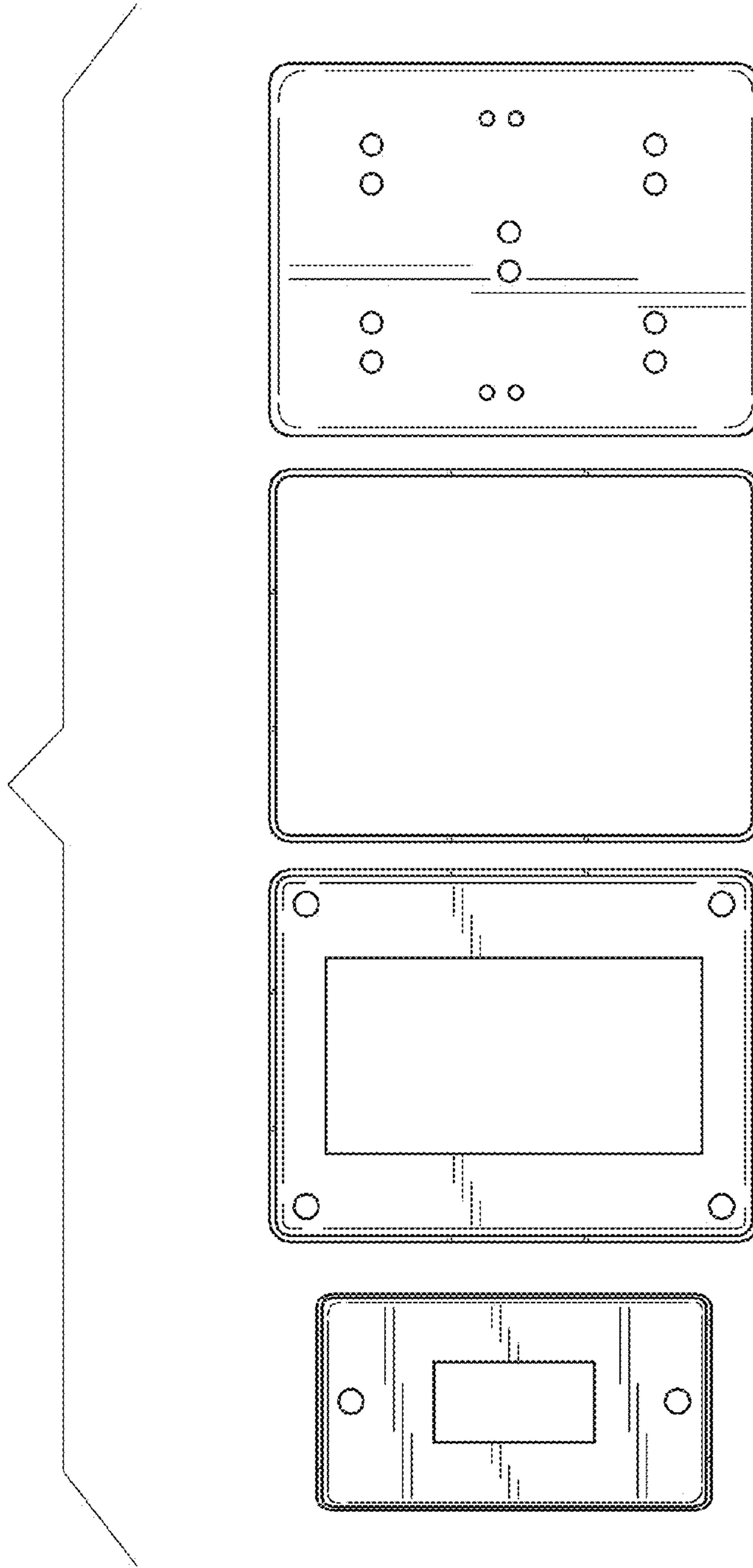


Fig. 3 Back

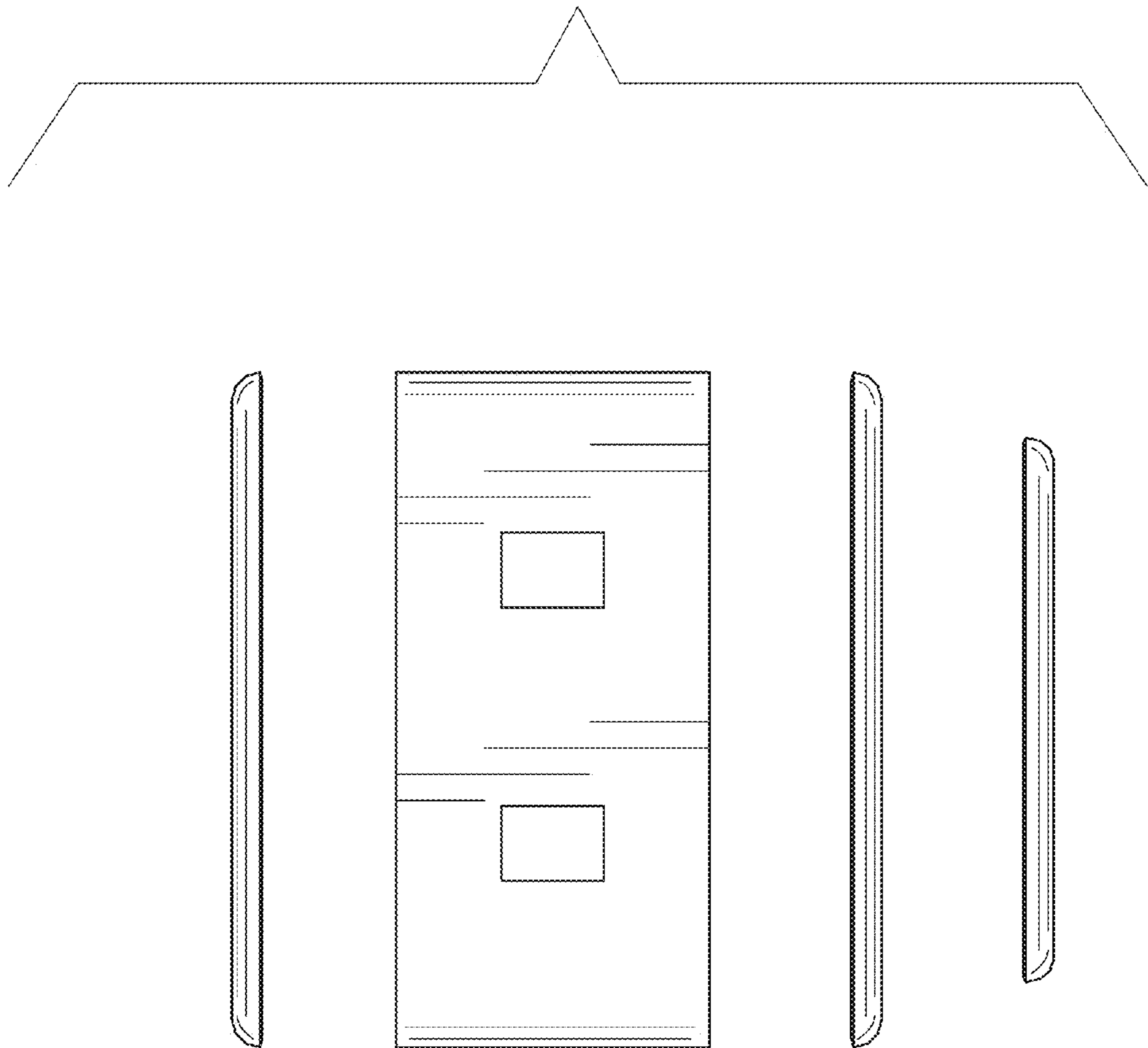


Fig. 4

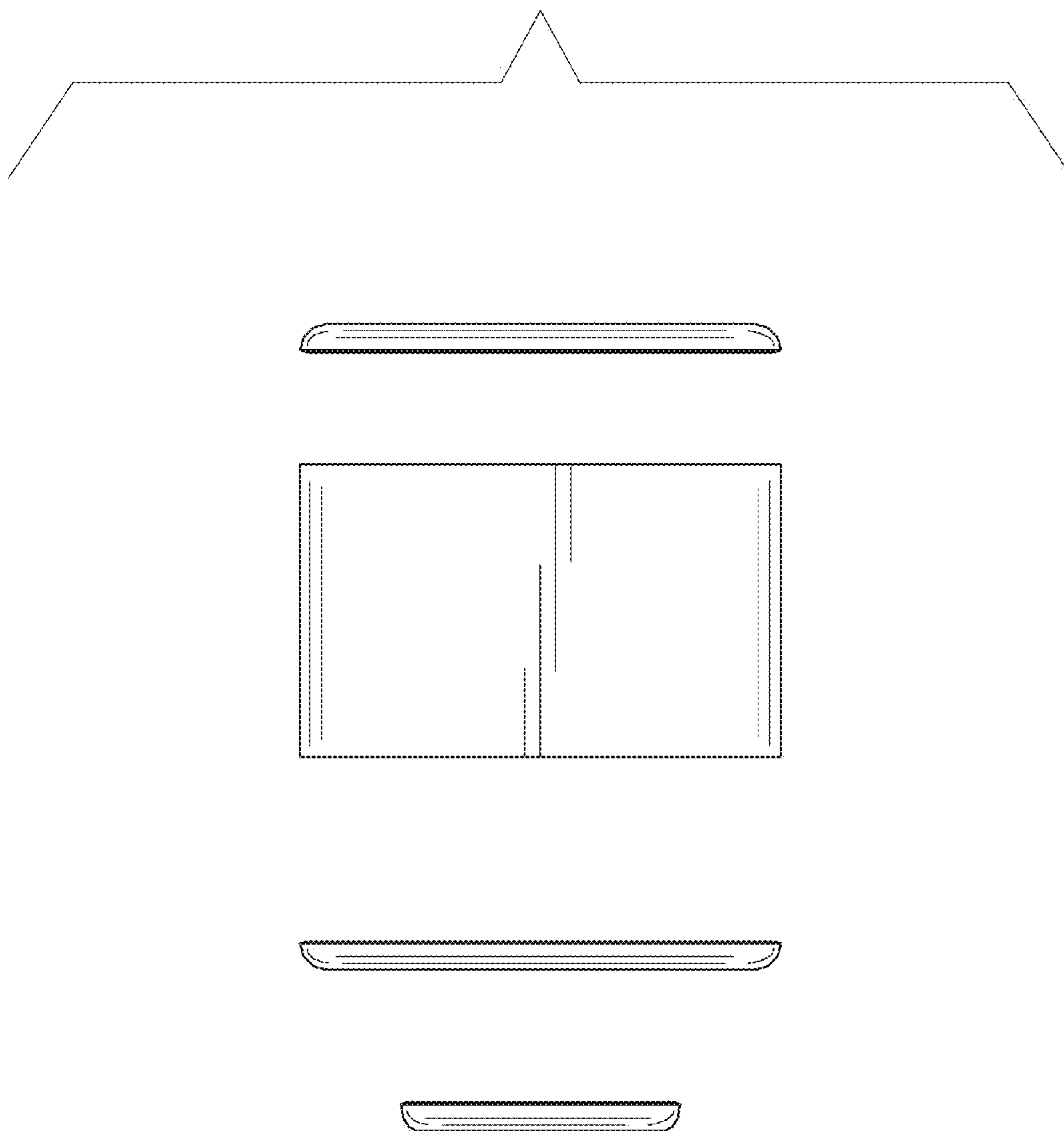


Fig. 5