



US00D722564S

(12) **United States Design Patent**
Yoshida et al.

(10) **Patent No.:** **US D722,564 S**
(45) **Date of Patent:** **** Feb. 17, 2015**

(54) **ELECTRICAL CONNECTOR**

(56) **References Cited**

(71) Applicant: **Molex Incorporated**, Lisle, IL (US)

U.S. PATENT DOCUMENTS

(72) Inventors: **Masahiko Yoshida**, Yamato (JP);
Yasuharu Ono, Yamato (JP); **Koichiro Tanaka**, Yamato (JP); **Toshiyuki Someya**, Yamato (JP)

D684,120	S	*	6/2013	Miyazaki et al.	D13/147
D687,382	S	*	8/2013	Miyazaki et al.	D13/147
D687,383	S	*	8/2013	Miyazaki et al.	D13/147
D692,833	S	*	11/2013	Nishimura et al.	D13/147
D695,691	S	*	12/2013	Kobuchi et al.	D13/147
D696,201	S	*	12/2013	Takenaga et al.	D13/147
D703,146	S	*	4/2014	Takenaga et al.	D13/147

(73) Assignee: **Molex Incorporated**, Lisle, IL (US)

* cited by examiner

(**) Term: **14 Years**

Primary Examiner — Daniel Bui

(21) Appl. No.: **29/447,769**

(74) *Attorney, Agent, or Firm* — Timothy M. Morella

(22) Filed: **Mar. 6, 2013**

(57) **CLAIM**

The ornamental design for an electrical connector, as shown and described.

(30) **Foreign Application Priority Data**

DESCRIPTION

Sep. 7, 2012 (JP) 2012-021658

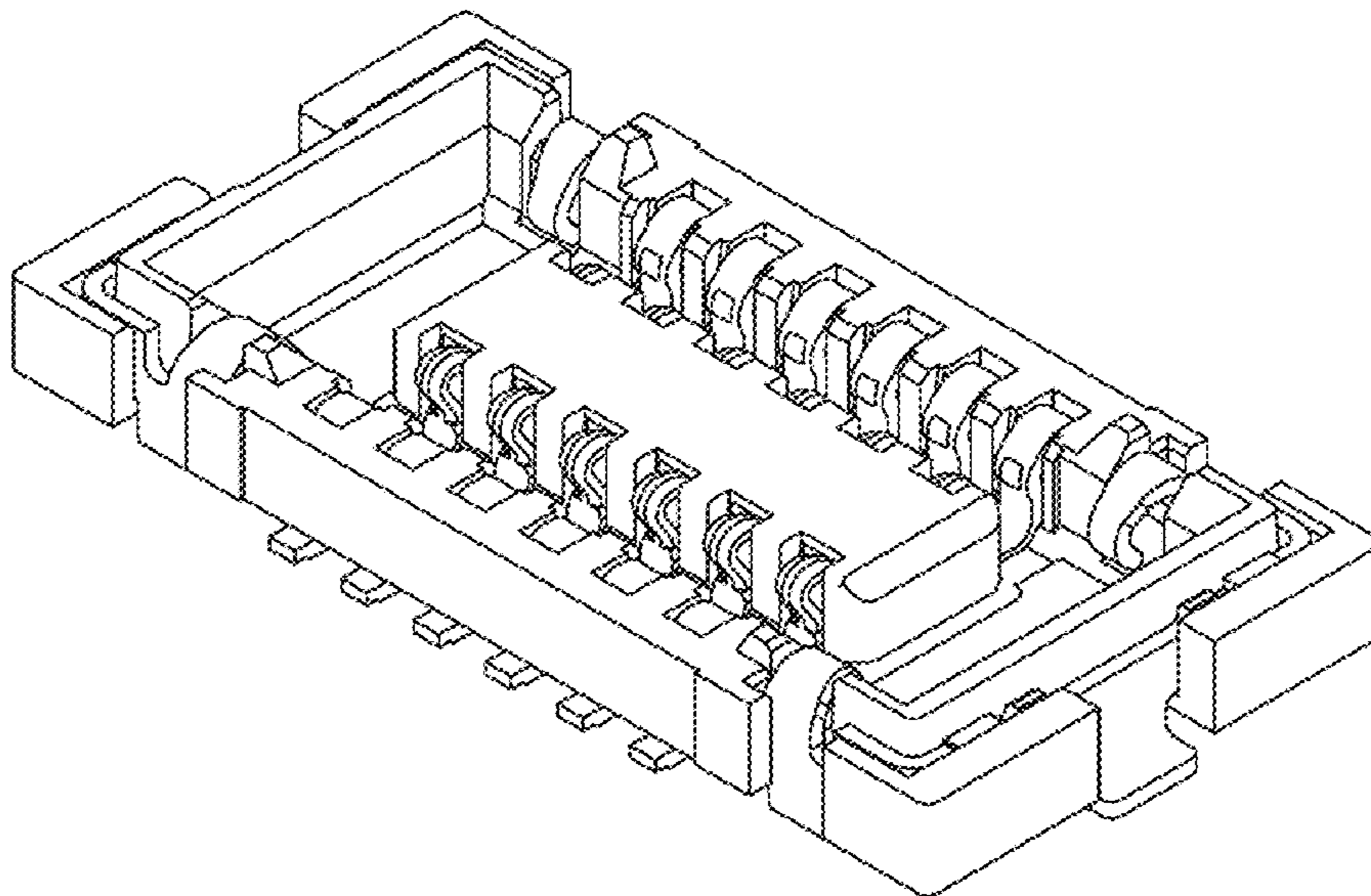
FIG. 1 is a top perspective view of an electrical connector showing our new design;
FIG. 2 is a bottom perspective view thereof;
FIG. 3 is a first side view thereof;
FIG. 4 is a second side view thereof;
FIG. 5 is a top plan view thereof;
FIG. 6 is a bottom plan view thereof;
FIG. 7 is a front plan elevation view thereof; and,
FIG. 8 is a back plan elevation view thereof.

(51) **LOC (10) Cl.** **13-03**

(52) **U.S. Cl.**
USPC **D13/147**

(58) **Field of Classification Search**
USPC D13/147, 154, 184, 199
See application file for complete search history.

1 Claim, 2 Drawing Sheets



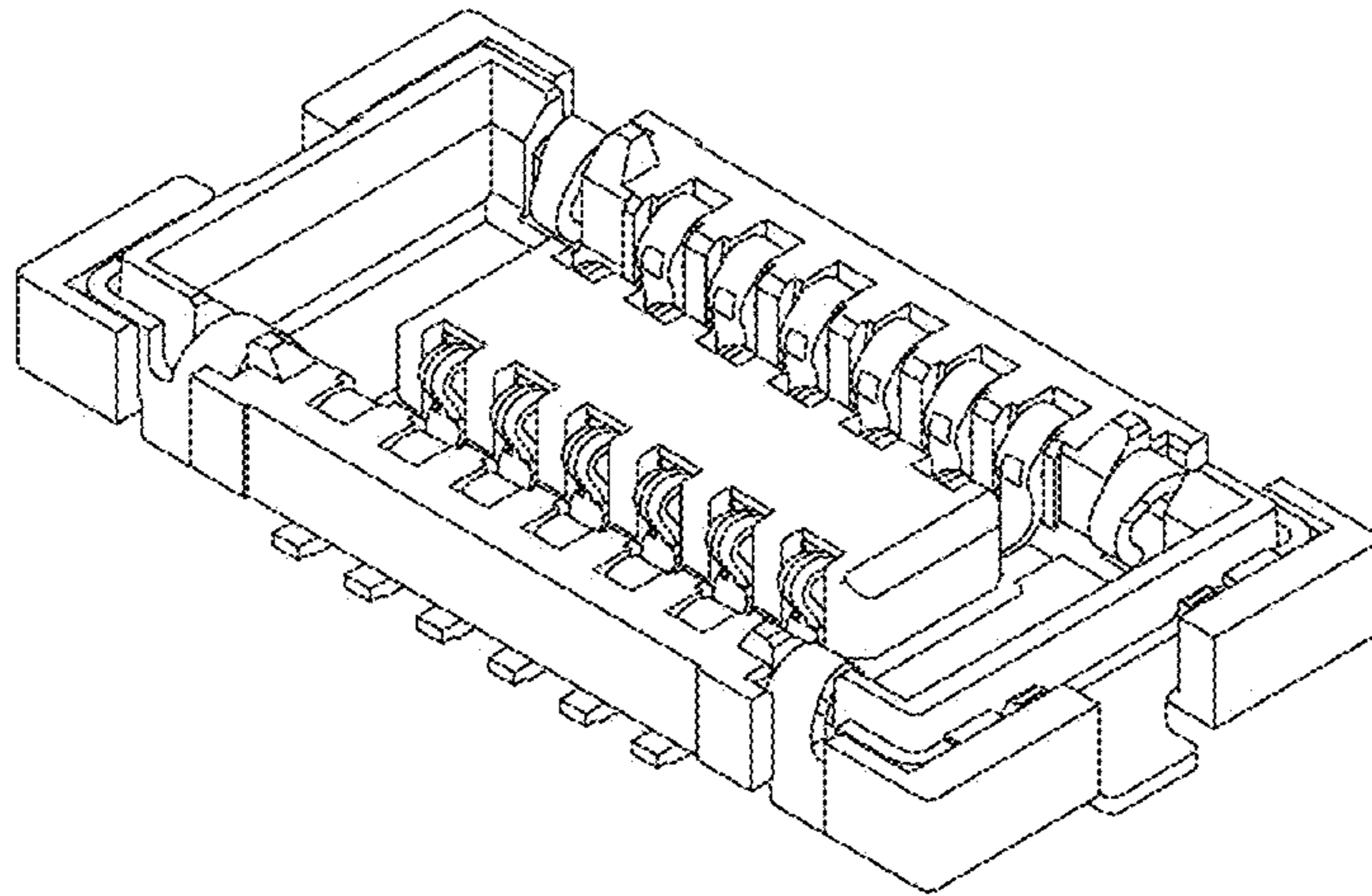


FIG. 1

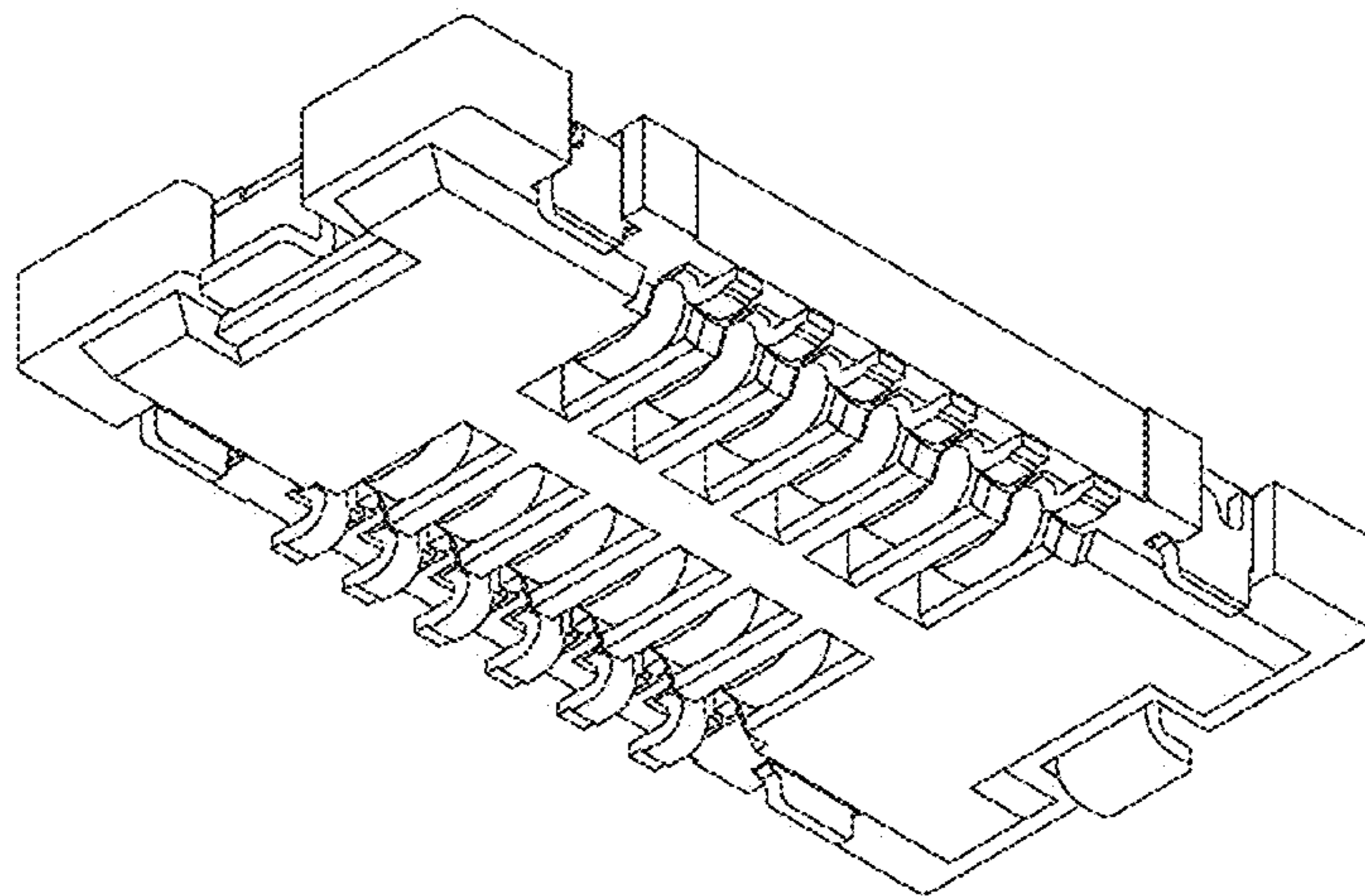


FIG. 2

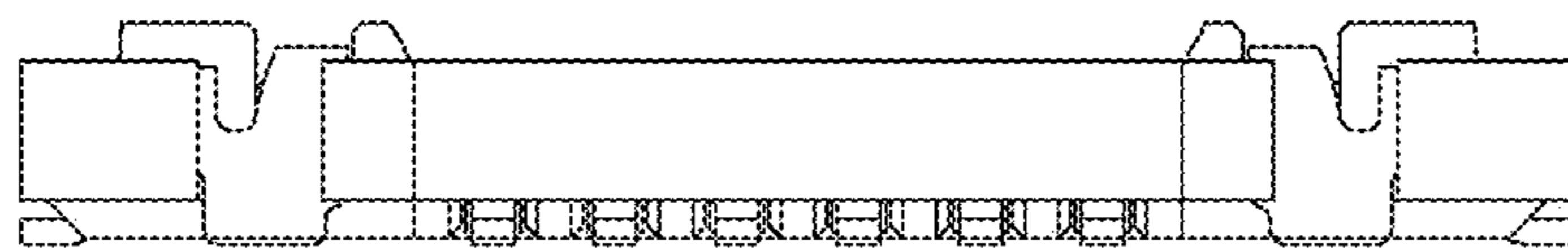


FIG. 3

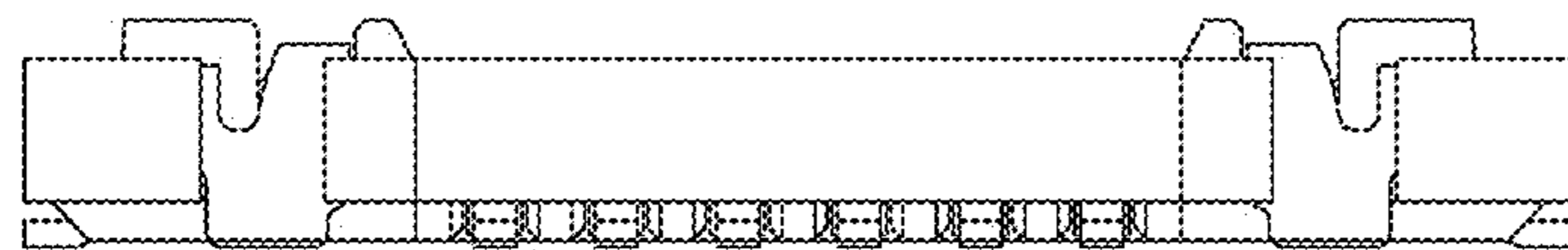


FIG. 4

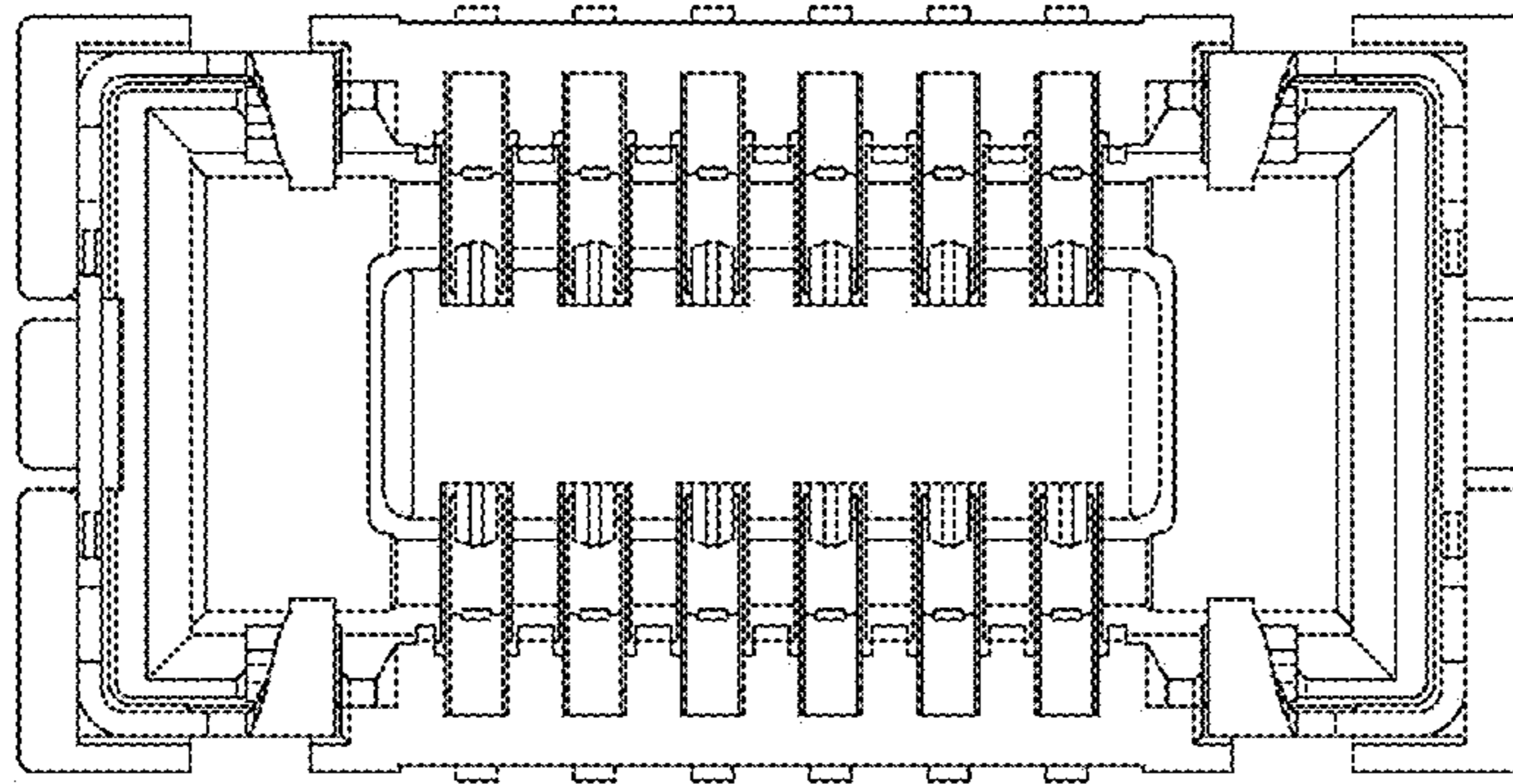


FIG. 5

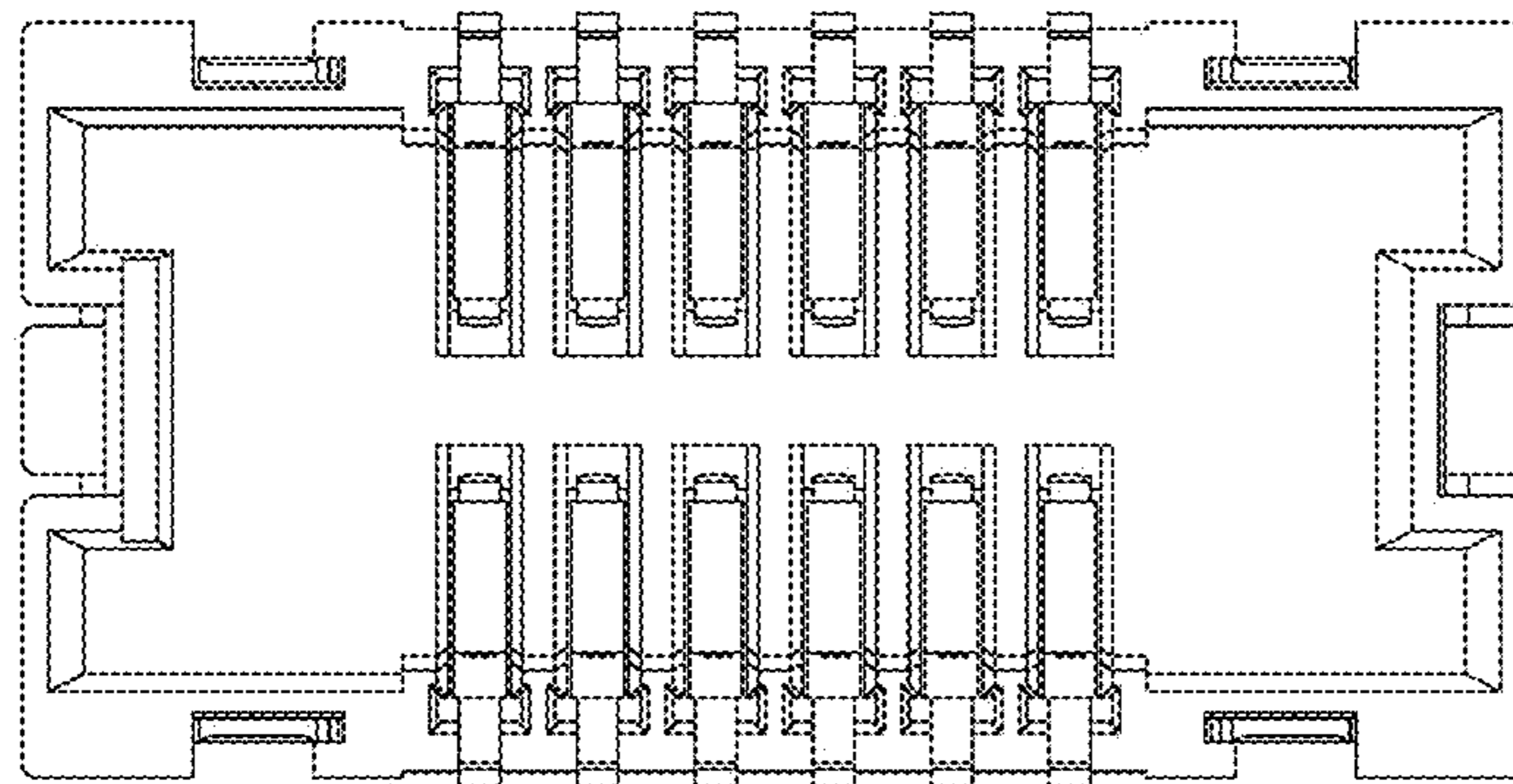


FIG. 6

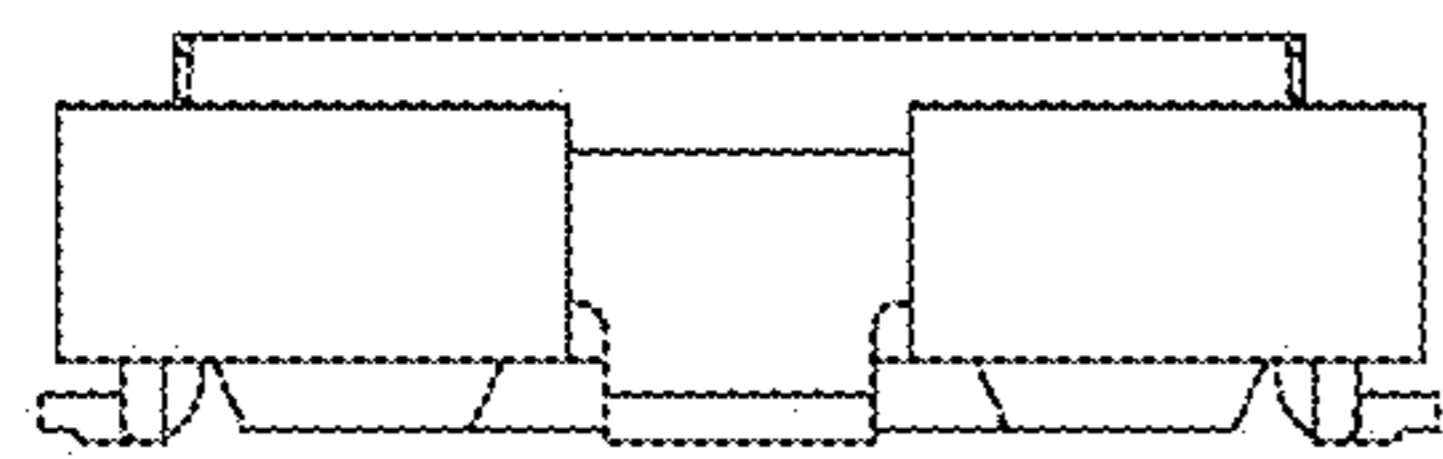


FIG. 7

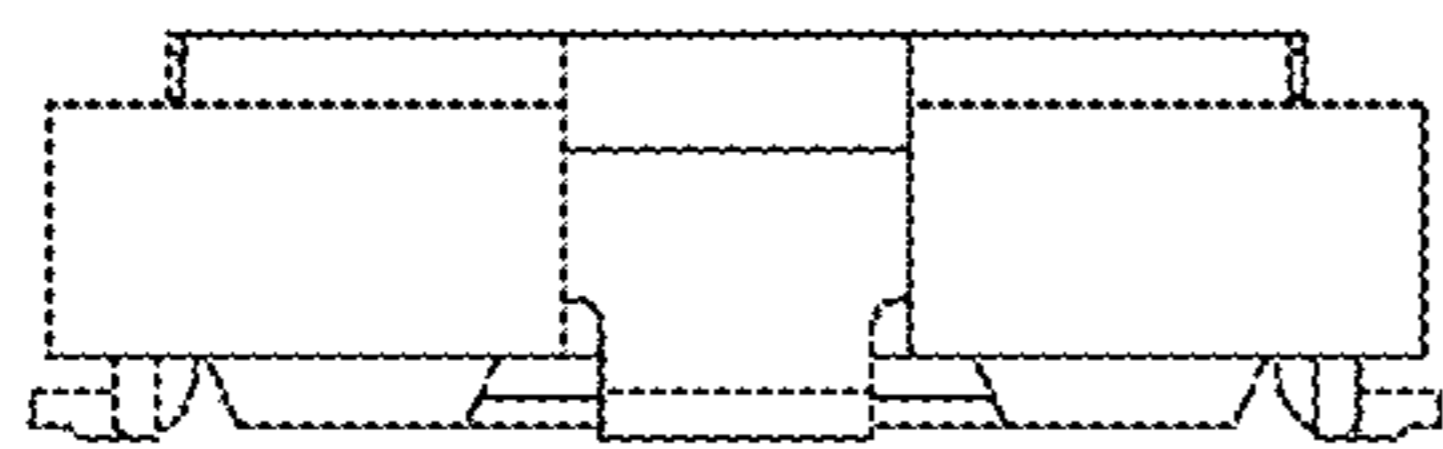


FIG. 8