



US00D722562S

(12) **United States Design Patent**  
**Restrepo et al.**

(10) **Patent No.:** **US D722,562 S**  
(45) **Date of Patent:** **\*\* Feb. 17, 2015**

(54) **USB RECEPTACLE DEVICE**

(71) Applicants: **Carlos Eduardo Restrepo**, Atlanta, GA (US); **Rohit Sumerchand Dodal**, Peachtree City, GA (US); **Bob Zhu**, Shanghai (CN); **Alex Zhuang**, Shanghai (CN); **Kevin Zhong**, Shanghai (CN)

(72) Inventors: **Carlos Eduardo Restrepo**, Atlanta, GA (US); **Rohit Sumerchand Dodal**, Peachtree City, GA (US); **Bob Zhu**, Shanghai (CN); **Alex Zhuang**, Shanghai (CN); **Kevin Zhong**, Shanghai (CN)

(73) Assignee: **Cooper Technologies Company**, Houston, TX (US)

(\*\*) Term: **14 Years**

(21) Appl. No.: **29/436,365**

(22) Filed: **Nov. 5, 2012**

(51) **LOC (10) Cl.** ..... **13-03**

(52) **U.S. Cl.**  
USPC ..... **D13/139.1**

(58) **Field of Classification Search**  
USPC ..... D13/152, 164, 184, 137.1, 139.1, 153, D13/137.2, 133, 137.4, 139.7, 130, 128, D13/132, 138.2, 139.4, 139.8, 139.6, 123, D13/160, 107; 361/683; D9/416, 423  
See application file for complete search history.

(56) **References Cited**

**U.S. PATENT DOCUMENTS**

D430,539 S *	9/2000	Leopold et al.	.....	D13/139.3
D462,660 S *	9/2002	Huang et al.	.....	D13/139.3
D531,121 S *	10/2006	Fort et al.	.....	D13/139.3
D535,256 S *	1/2007	Fort et al.	.....	D13/139.3
D536,305 S *	2/2007	Fort et al.	.....	D13/139.6
D542,223 S *	5/2007	Bazayev et al.	.....	D13/139.3
D545,272 S *	6/2007	Zhang et al.	.....	D13/139.3
D558,676 S *	1/2008	Fort et al.	.....	D13/139.3
D598,859 S *	8/2009	Vaccaro et al.	.....	D13/139.3
D601,962 S *	10/2009	Song	.....	D13/139.6

D604,873 S *	11/2009	Richter et al.	.....	D26/26
D674,753 S *	1/2013	Jansen et al.	.....	D13/139.1
D686,577 S	7/2013	Flagello		

**OTHER PUBLICATIONS**

<http://www.pilotmedia.us/wordpress/admin/features/rapid-usb-charger-ready-to-come-aboard/>.  
<http://www.slashgear.com/truepower-outlet-packs-usb-ports-and-ac-for-just-9-95-0465164/>.  
<http://www.virginiasweetpea.com/2013/01/how-to-add-a-usb-port-to-a-wall-outlet.html>.

\* cited by examiner

*Primary Examiner* — Ian Simmons

*Assistant Examiner* — Rhea Shields

(74) *Attorney, Agent, or Firm* — King & Spalding LLP

(57) **CLAIM**

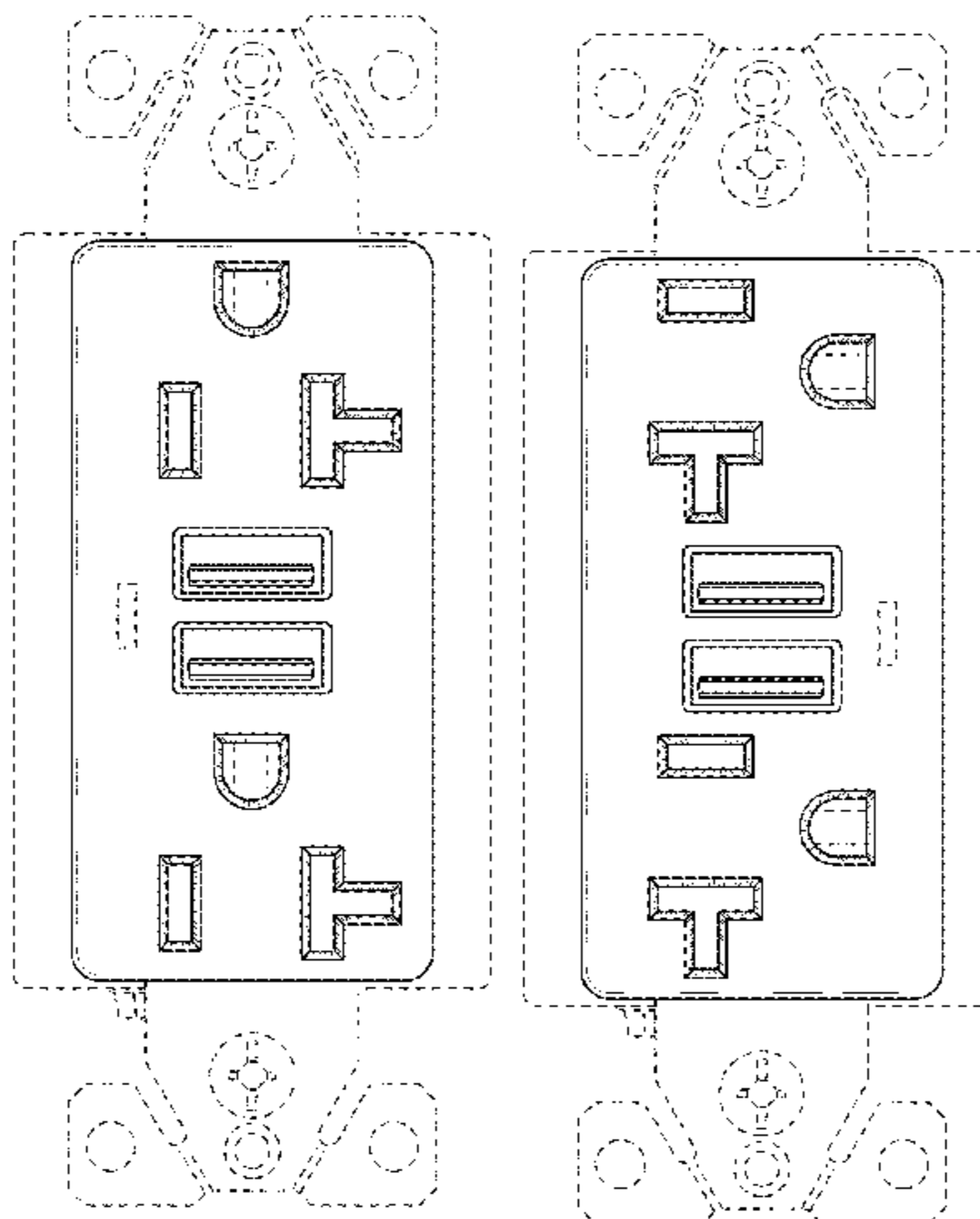
The ornamental design for a USB receptacle device, as shown and described.

**DESCRIPTION**

FIG. 1 is a side perspective view of a USB receptacle device, showing our new design;  
FIG. 2 is a front elevation view thereof;  
FIG. 3 is a back elevation view thereof;  
FIG. 4 is a left-side elevation view thereof;  
FIG. 5 is a right-side elevation view thereof;  
FIG. 6 is a top plan view thereof;  
FIG. 7 is a bottom plan view thereof;  
FIG. 8 is a side perspective view of another new ornamental design for a USB receptacle device;  
FIG. 9 is a front elevation view of the USB receptacle device of FIG. 8;  
FIG. 10 is a back elevation view of the USB receptacle device of FIG. 8;  
FIG. 11 is a left-side elevation view of the USB receptacle device of FIG. 8;  
FIG. 12 is a right-side elevation view of the USB receptacle device of FIG. 8;  
FIG. 13 is a top plan view of the USB receptacle device of FIG. 8; and  
FIG. 14 is a bottom plan view of the USB receptacle device of FIG. 8.

The broken lines shown represent unclaimed subject matter and form no part of the claimed design.

**1 Claim, 4 Drawing Sheets**



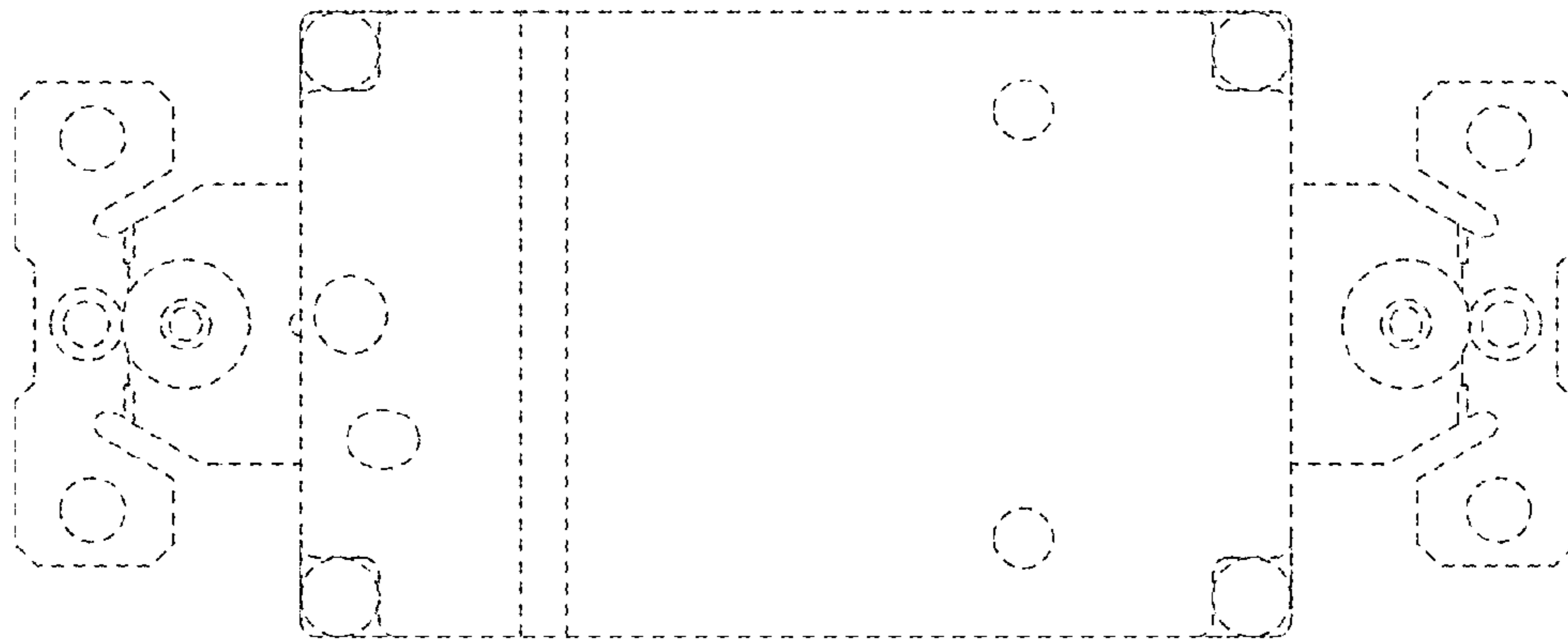


FIG. 3

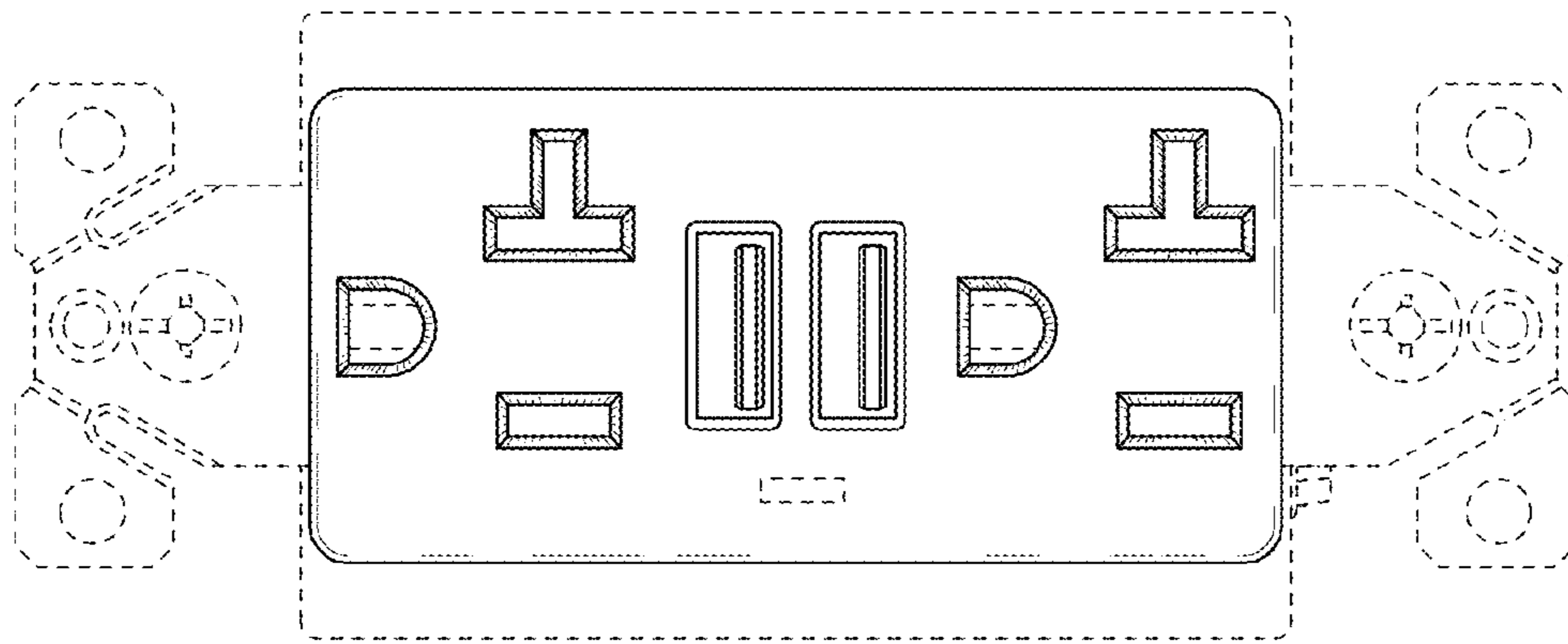


FIG. 2

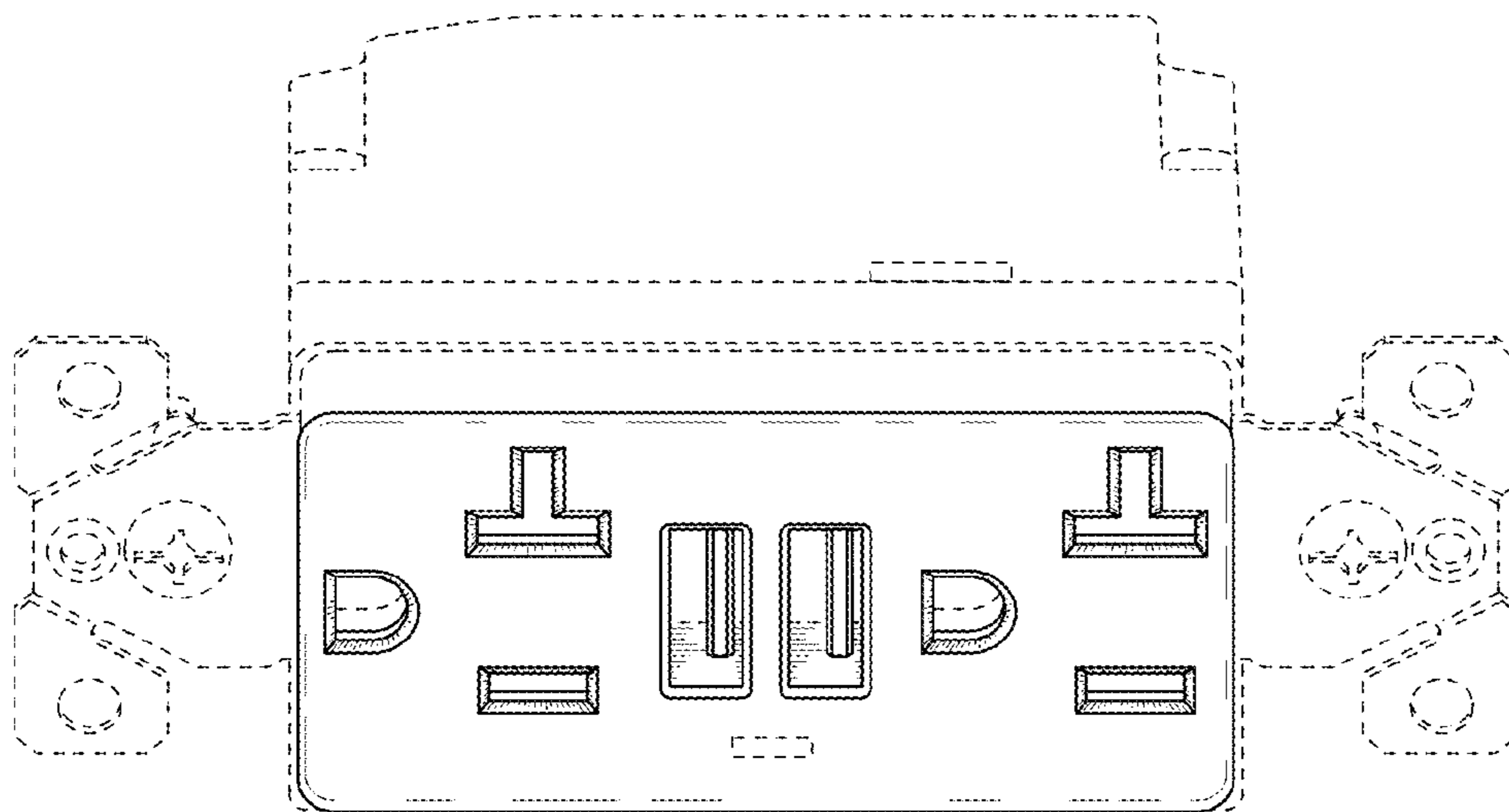
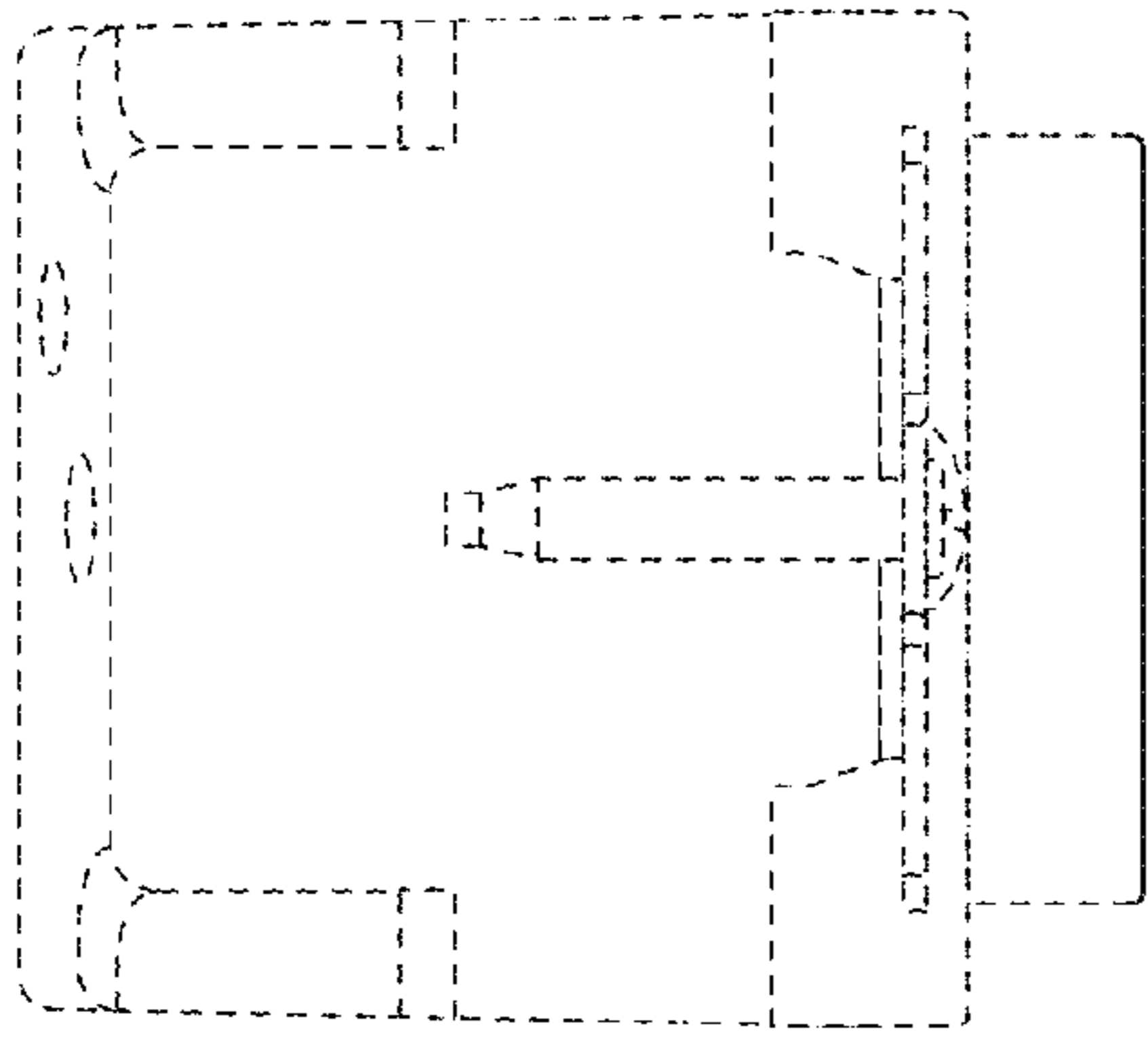
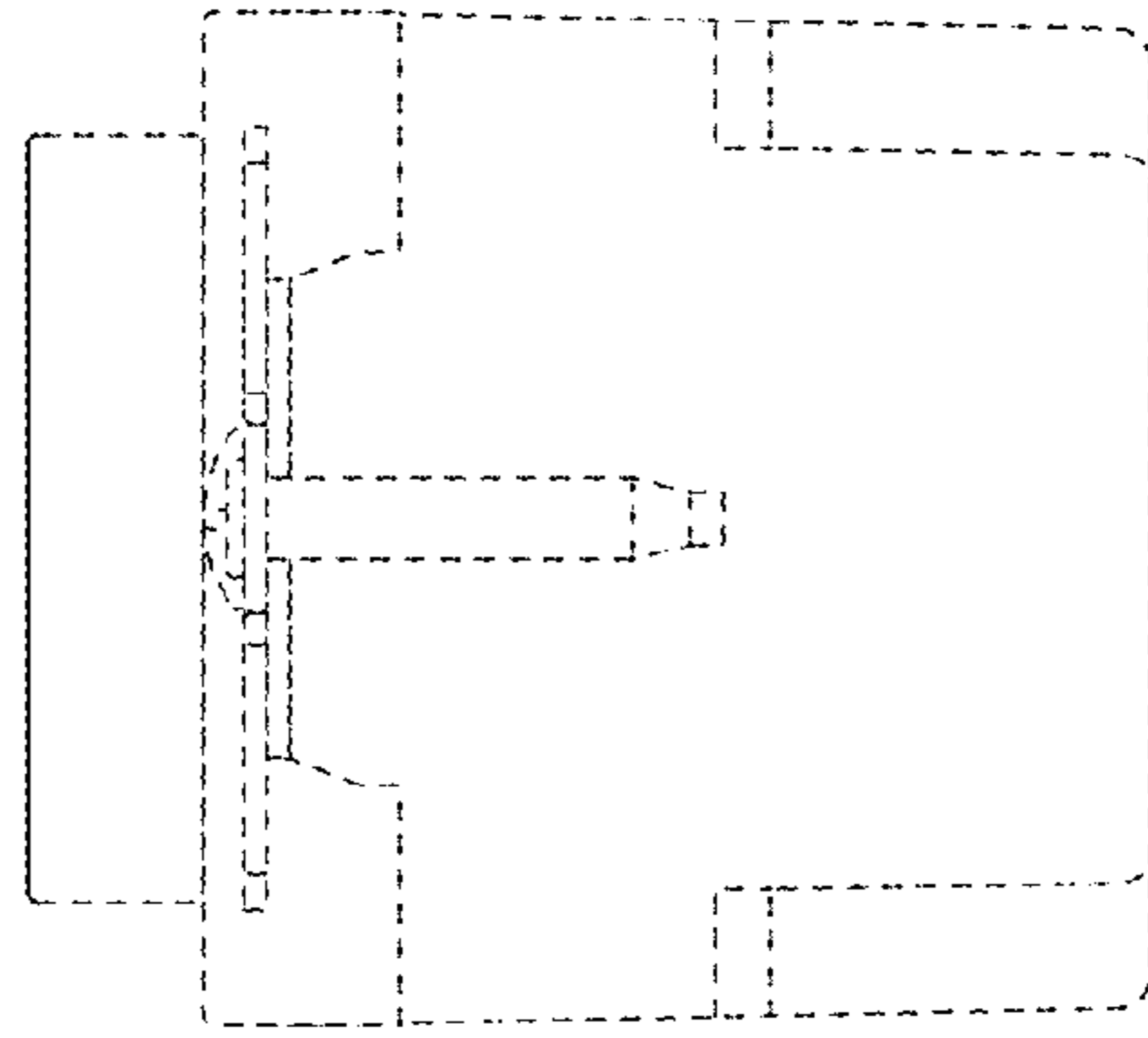


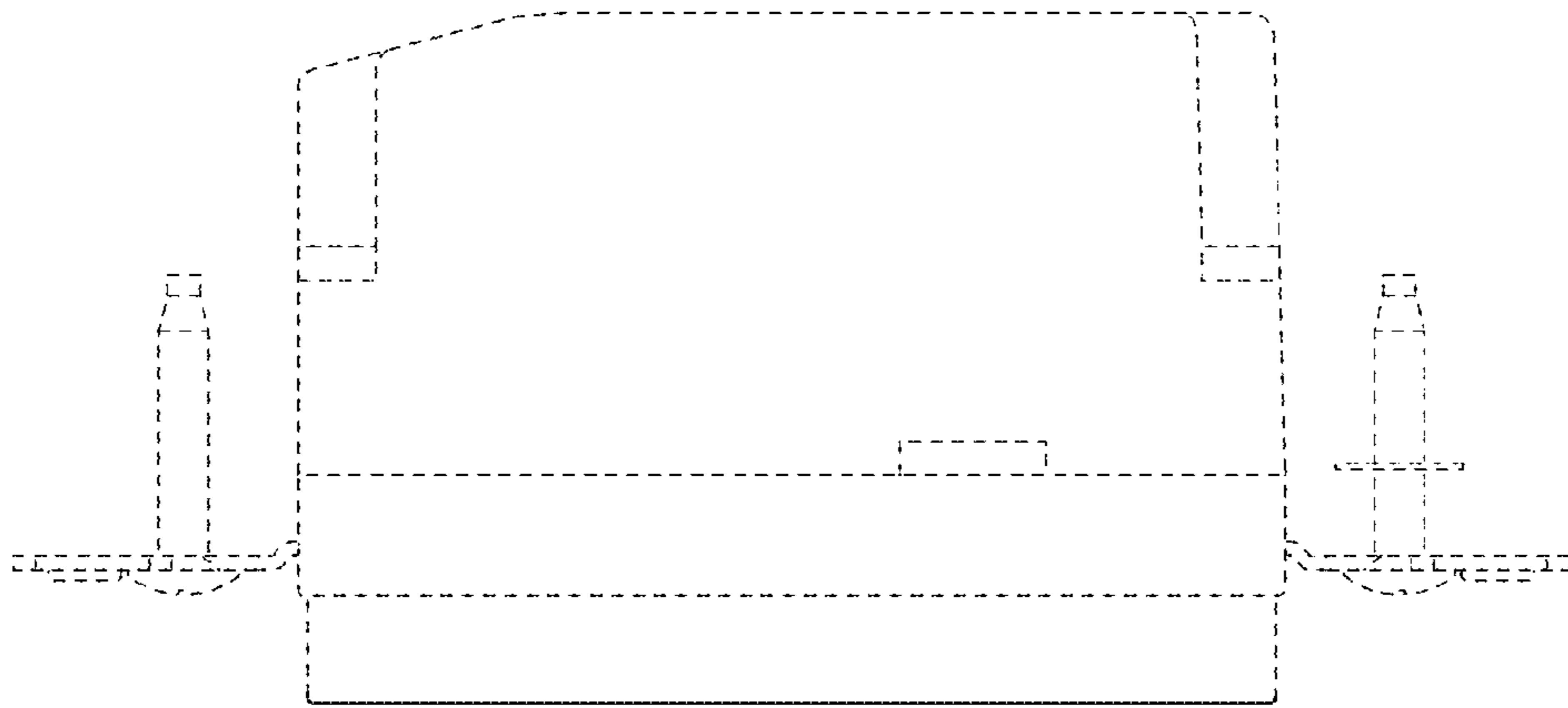
FIG. 1



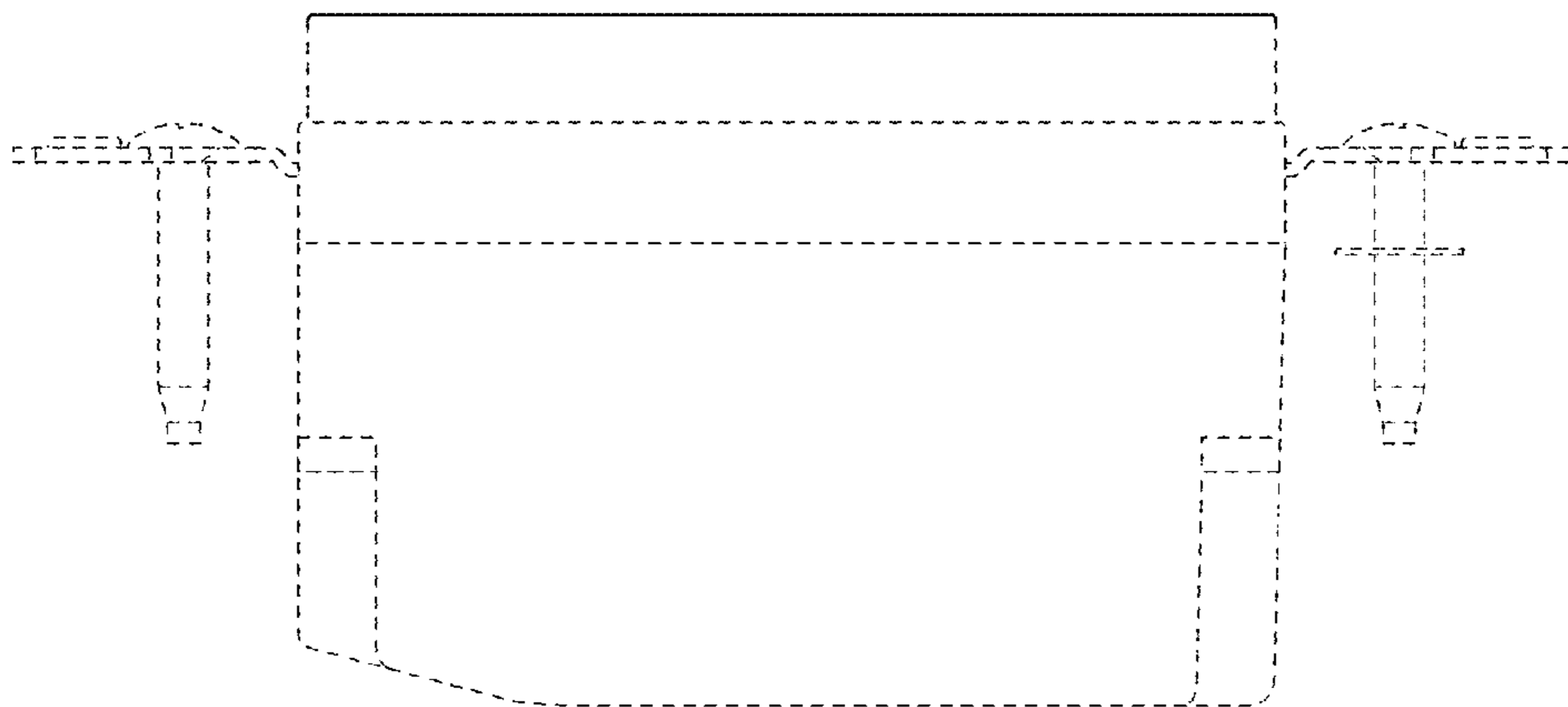
**FIG. 6**



**FIG. 7**



**FIG. 5**



**FIG. 4**

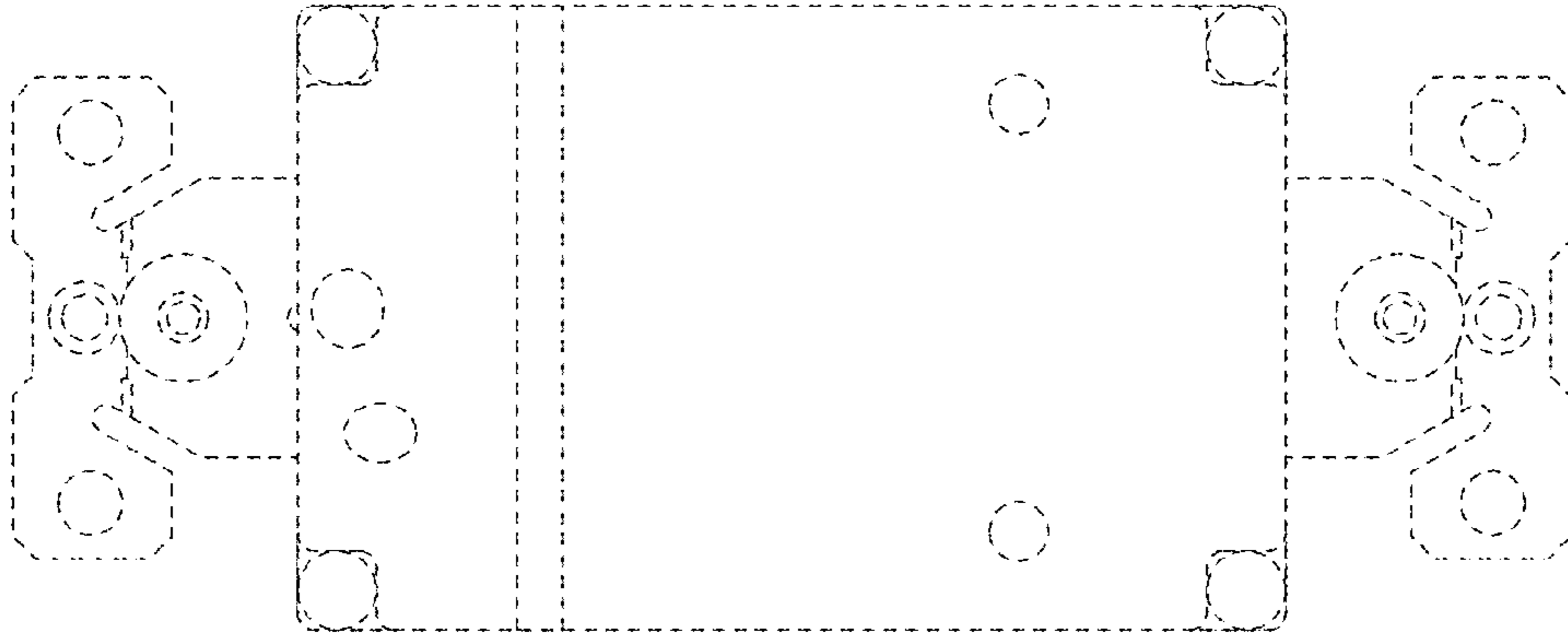


FIG. 10

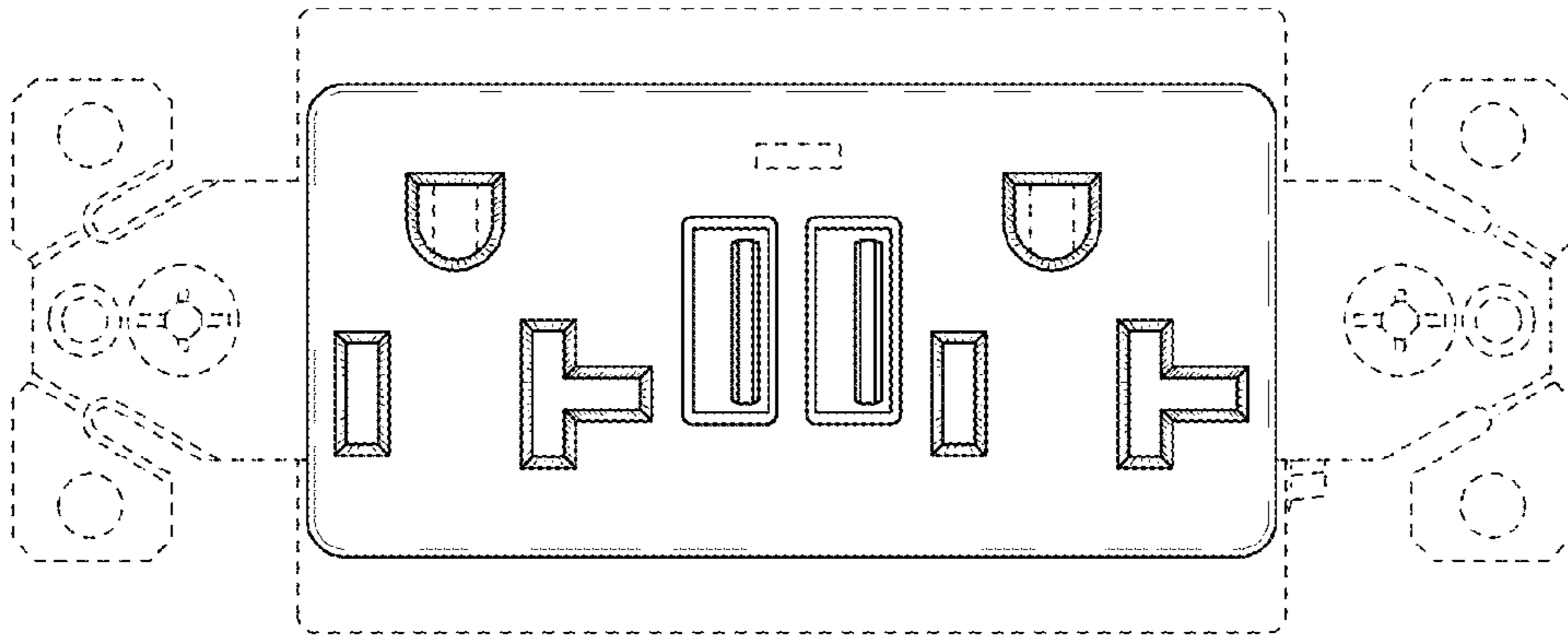


FIG. 9

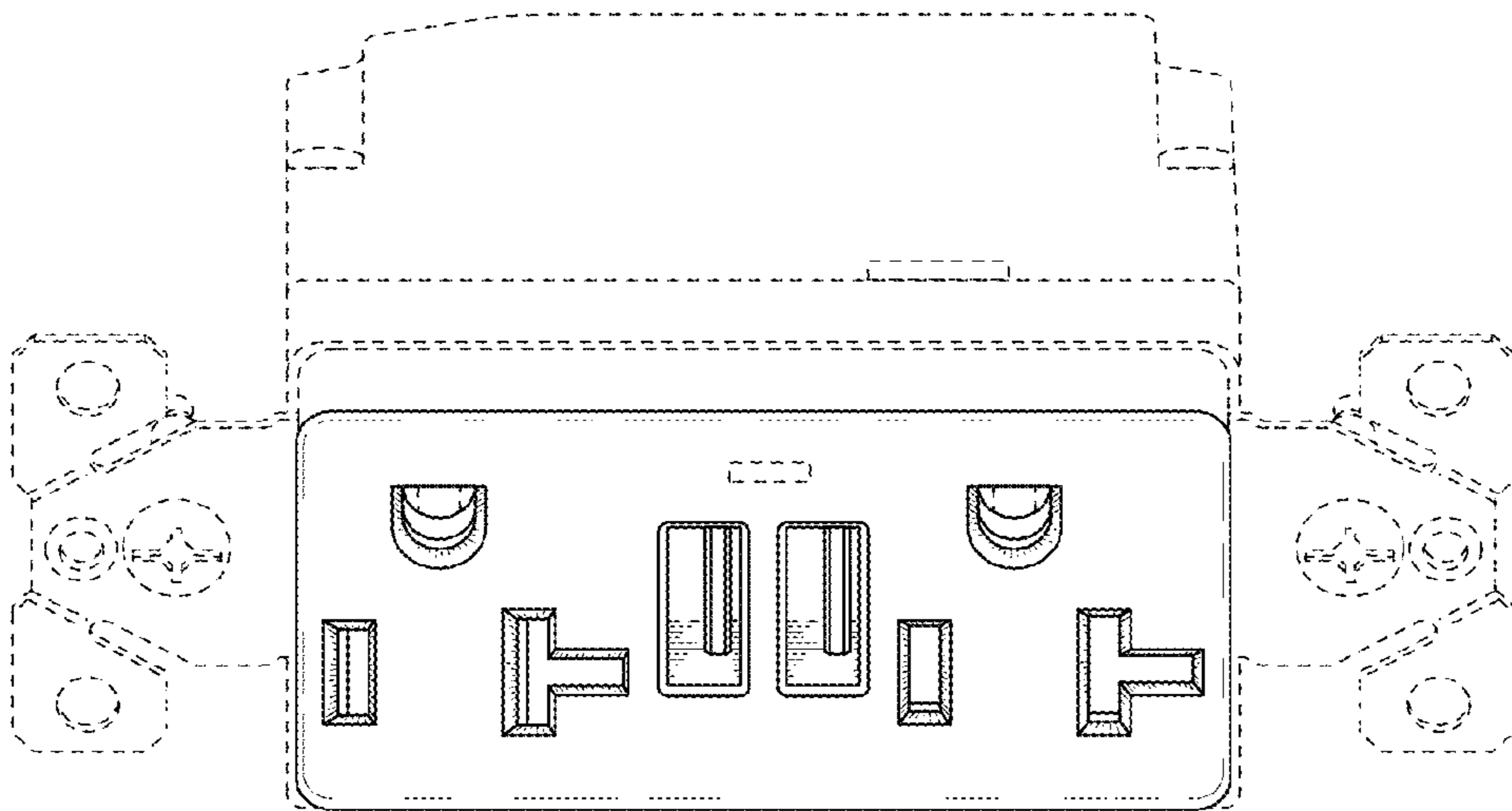


FIG. 8

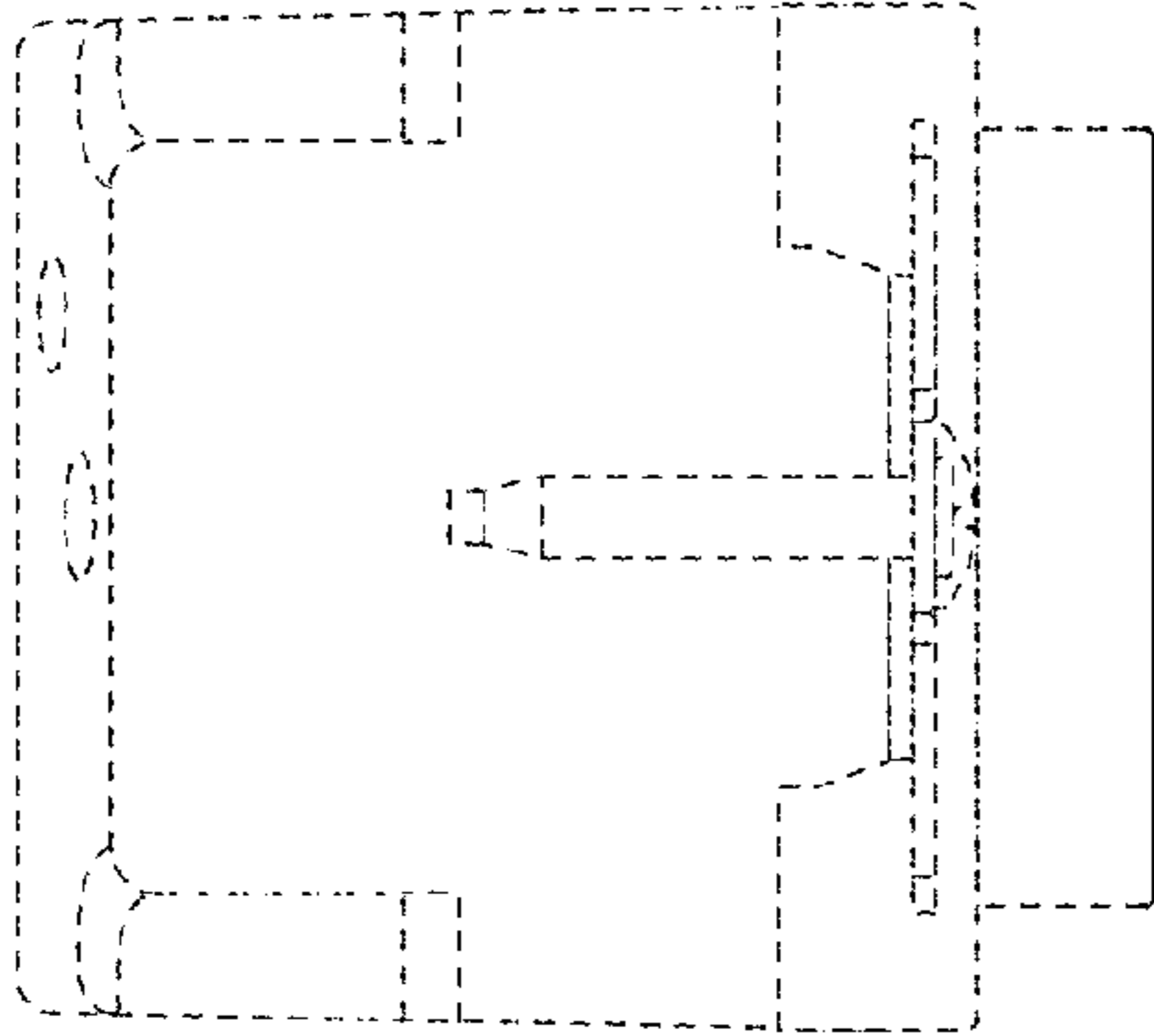


FIG. 13

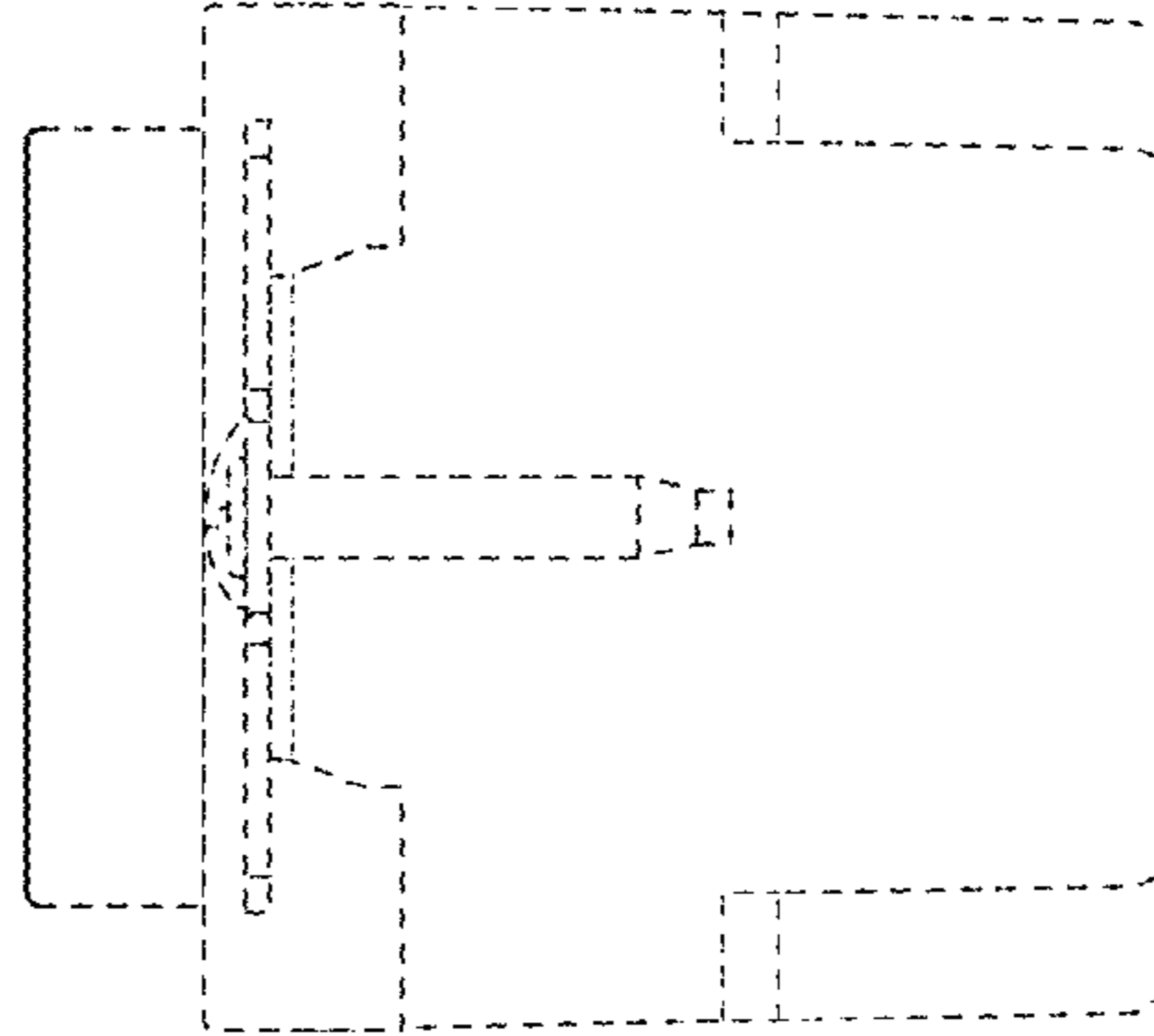


FIG. 14

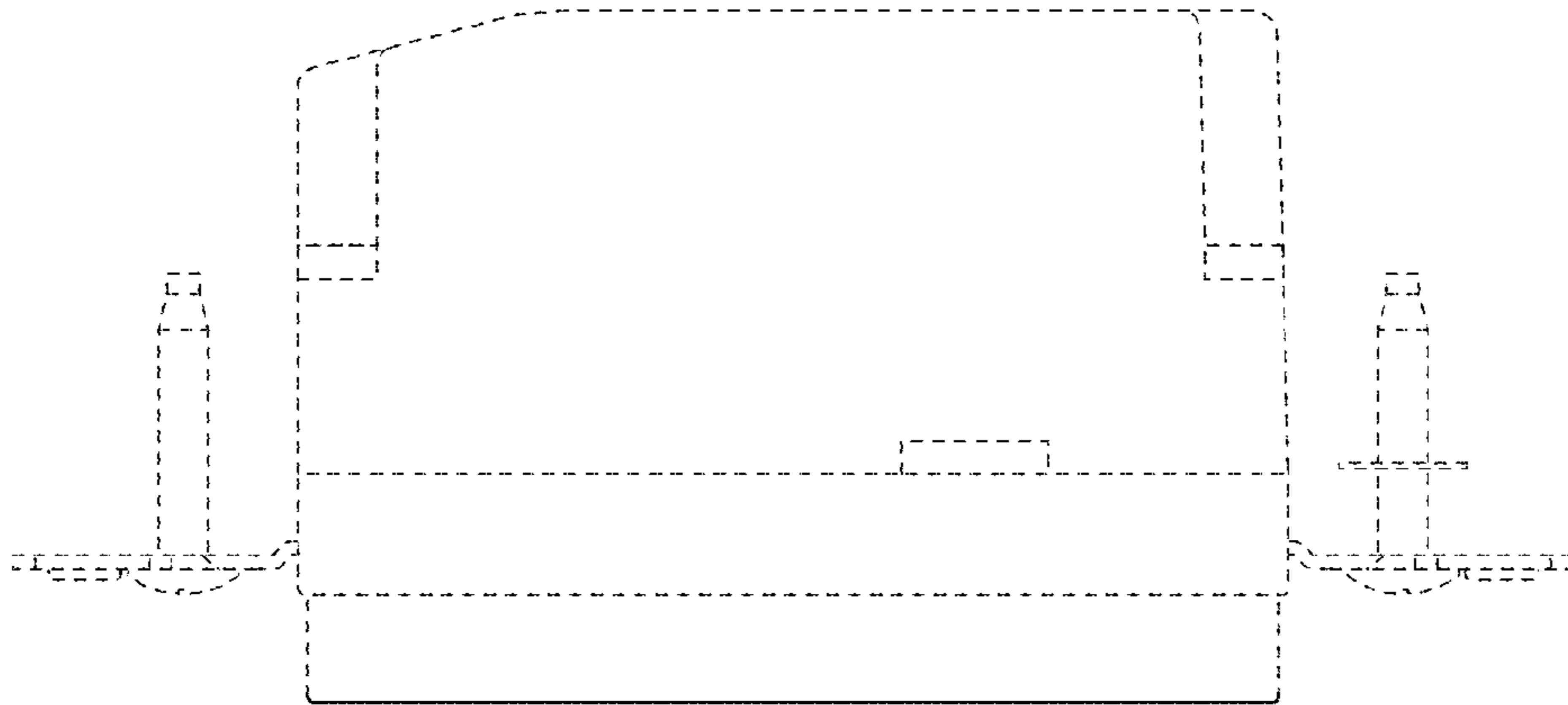


FIG. 12

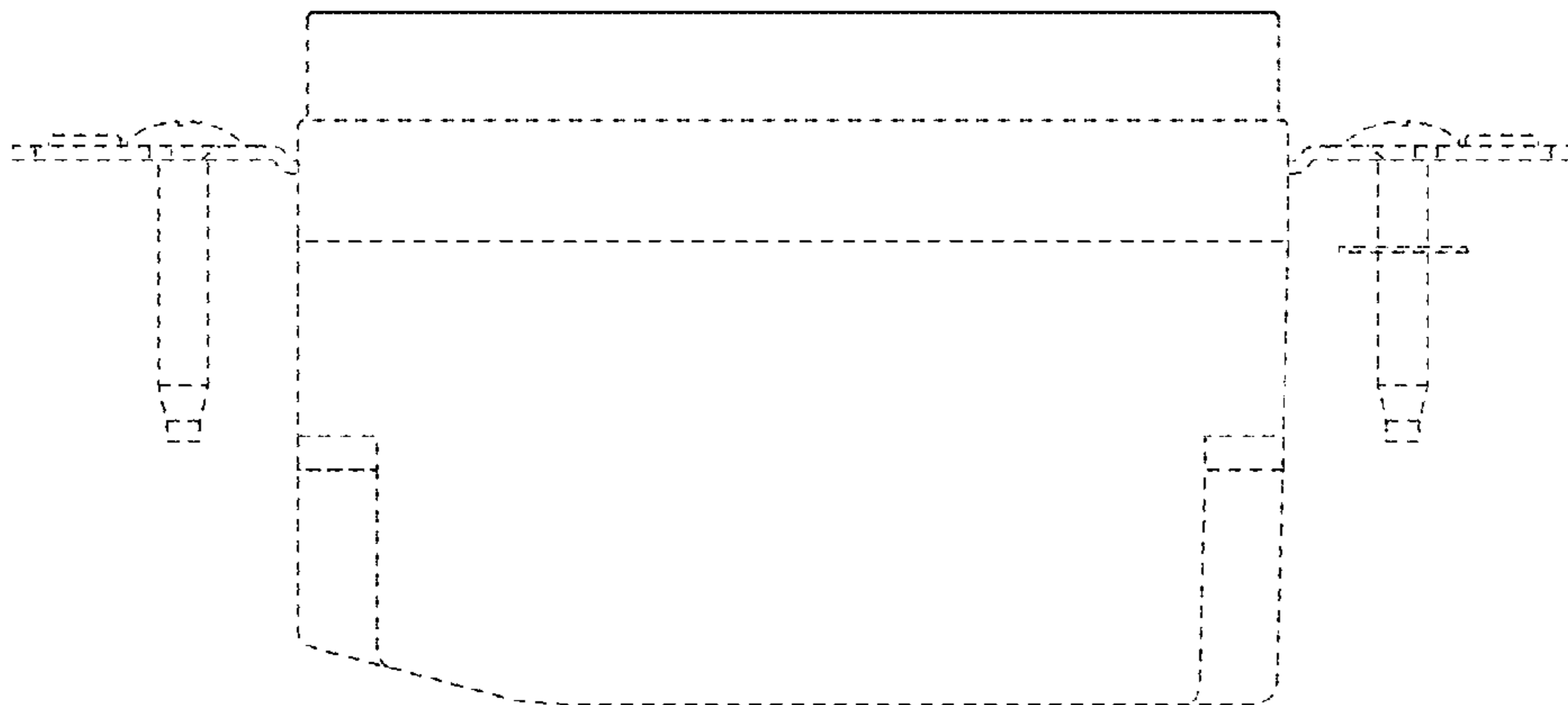


FIG. 11