



US00D722560S

(12) **United States Design Patent**
Lau et al.

(10) **Patent No.:** **US D722,560 S**
(45) **Date of Patent:** **** Feb. 17, 2015**

(54) **ELECTRIC MOTOR**

(71) Applicant: **Johnson Electric S.A.**, Murten (CH)

(72) Inventors: **James Ching Sik Lau**, Hong Kong (CN); **Duncan Yiu Lung Wong**, Hong Kong (CN); **Chun Kit Cheung**, Hong Kong (CN); **Jian Wei Sun**, Shenzhen (CN)

(73) Assignee: **Johnson Electric S.A.**, Murten (CH)

(**) Term: **14 Years**

(21) Appl. No.: **29/466,852**

(22) Filed: **Sep. 12, 2013**

(51) **LOC (10) Cl.** **13-01**

(52) **U.S. Cl.**
USPC **D13/112**

(58) **Field of Classification Search**
USPC D13/112, 113, 114, 122, 199; D15/3, 5, D15/199; 74/606 R, 609; 310/10, 40 R, 42, 310/51, 52, 58, 64, 71, 80, 83, 85, 88, 89, 310/91, 109, 236, 239, 240, 241, 242, 254; 318/245, 255; 322/16, 39; 361/688, 361/704, 709; 29/596-598

See application file for complete search history.

(56) **References Cited**

U.S. PATENT DOCUMENTS

4,244,098 A * 1/1981 Barcus 29/596
D325,560 S * 4/1992 Baines D13/112
5,311,090 A * 5/1994 Ferlatte 310/88

6,700,237 B1 * 3/2004 Yang 310/58
D511,138 S * 11/2005 Kwan D13/112
D579,869 S * 11/2008 Lau et al. D13/112
D603,793 S * 11/2009 Lindberg D13/112
D611,410 S * 3/2010 Sturm et al. D13/112
D642,200 S * 7/2011 Jiang et al. D15/5

* cited by examiner

Primary Examiner — Derrick Holland

(74) *Attorney, Agent, or Firm* — Muncy, Geissler, Olds & Lowe, P.C.

(57) **CLAIM**

The ornamental design for an electric motor, as shown and described.

DESCRIPTION

FIG. 1 is a front elevational view of an electric motor showing our new design;

FIG. 2 is a rear elevational view thereof;

FIG. 3 is a top plan view thereof;

FIG. 4 is a bottom plan view thereof;

FIG. 5 is a right side elevational view thereof;

FIG. 6 is a left side elevational view thereof;

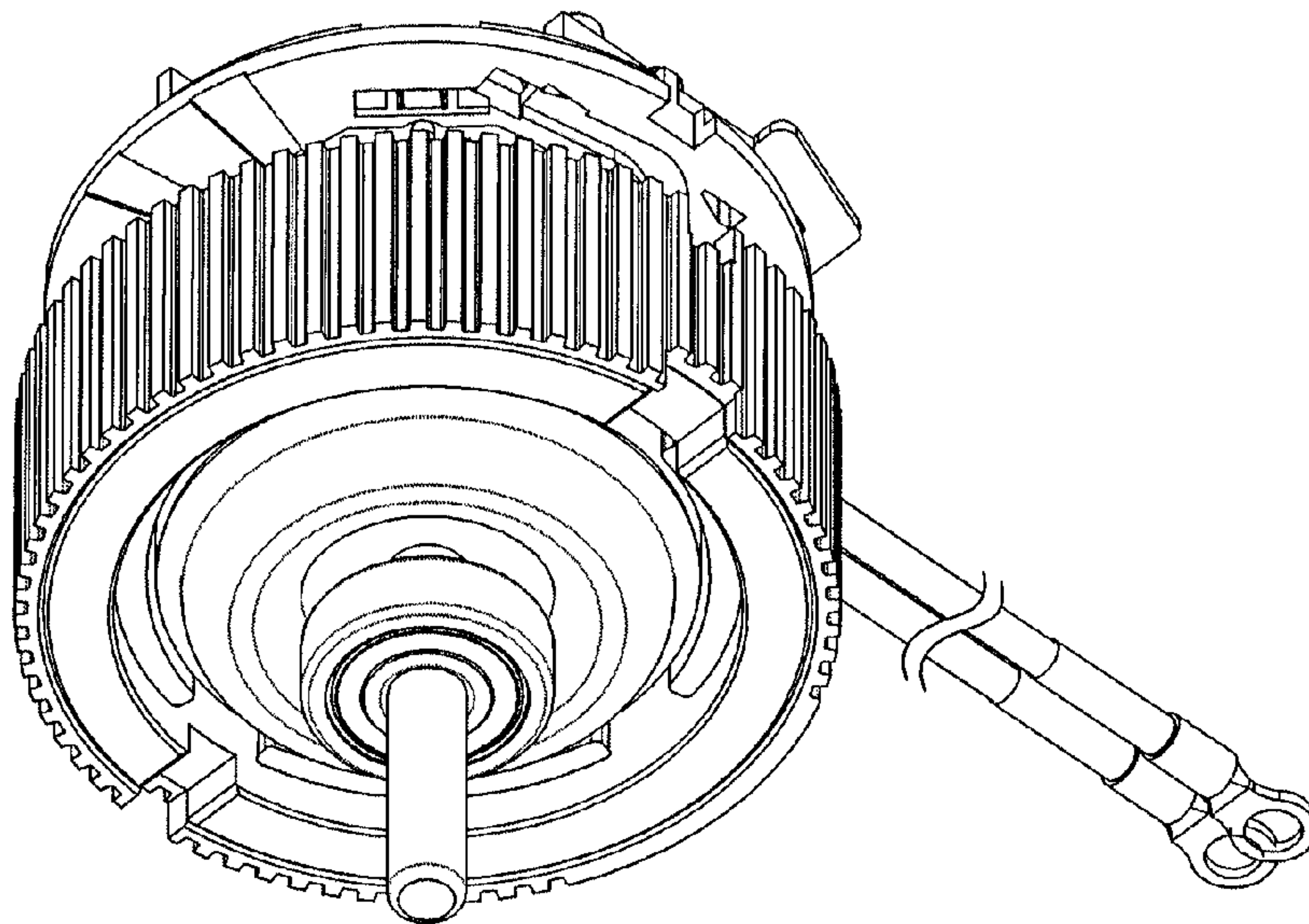
FIG. 7 is a top perspective view thereof; and,

FIG. 8 is a bottom perspective view thereof.

The broken lines shown represent unclaimed subject matter and form no part of the claimed design.

Portions of the electric motor have been shown broken to indicate indeterminate length. The indeterminate portion of the article forms no part of the claim design. Patentability is based only on those portions of the electric motor that are shown in solid lines.

1 Claim, 8 Drawing Sheets



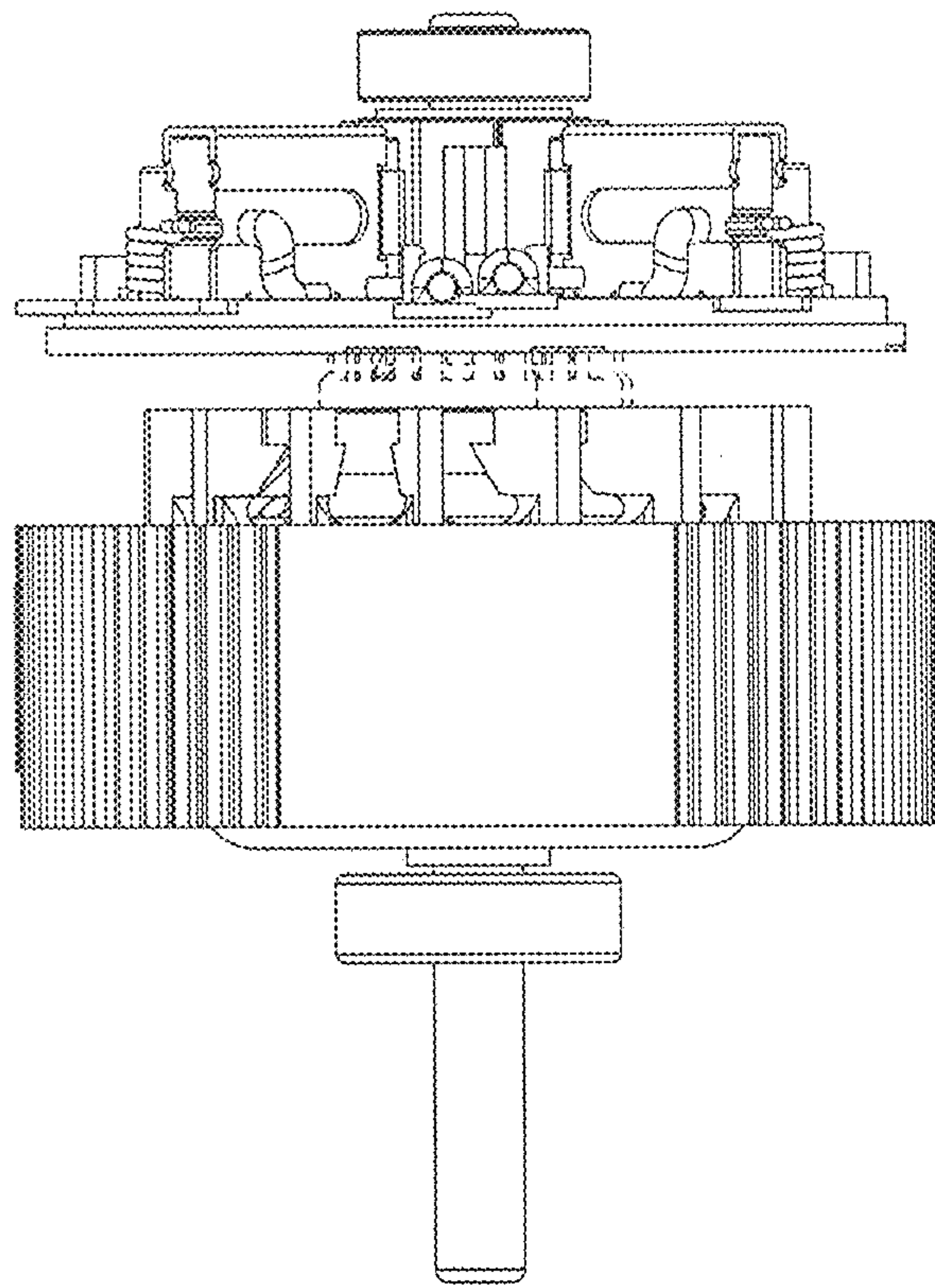


FIG. 1

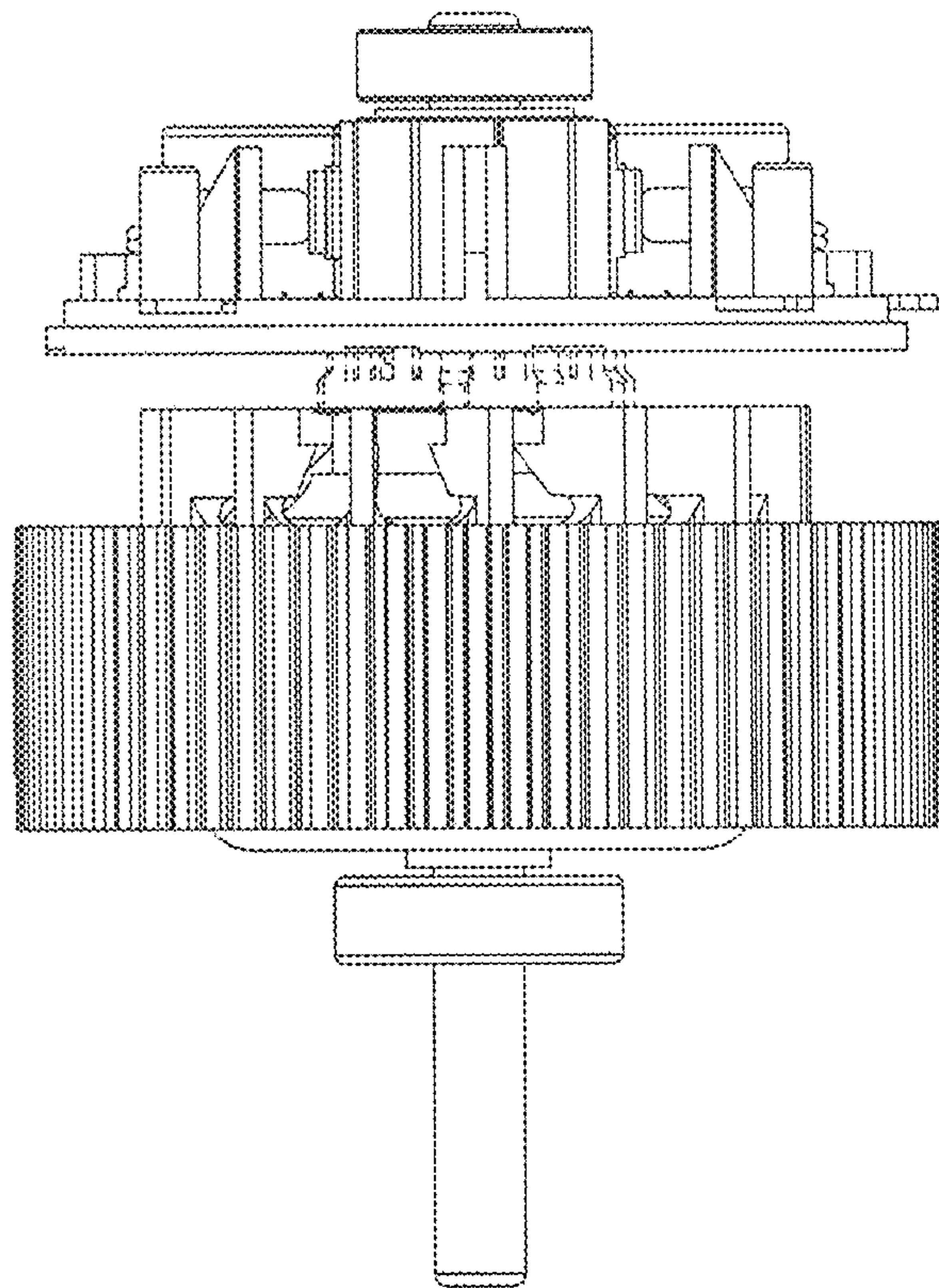


FIG. 2

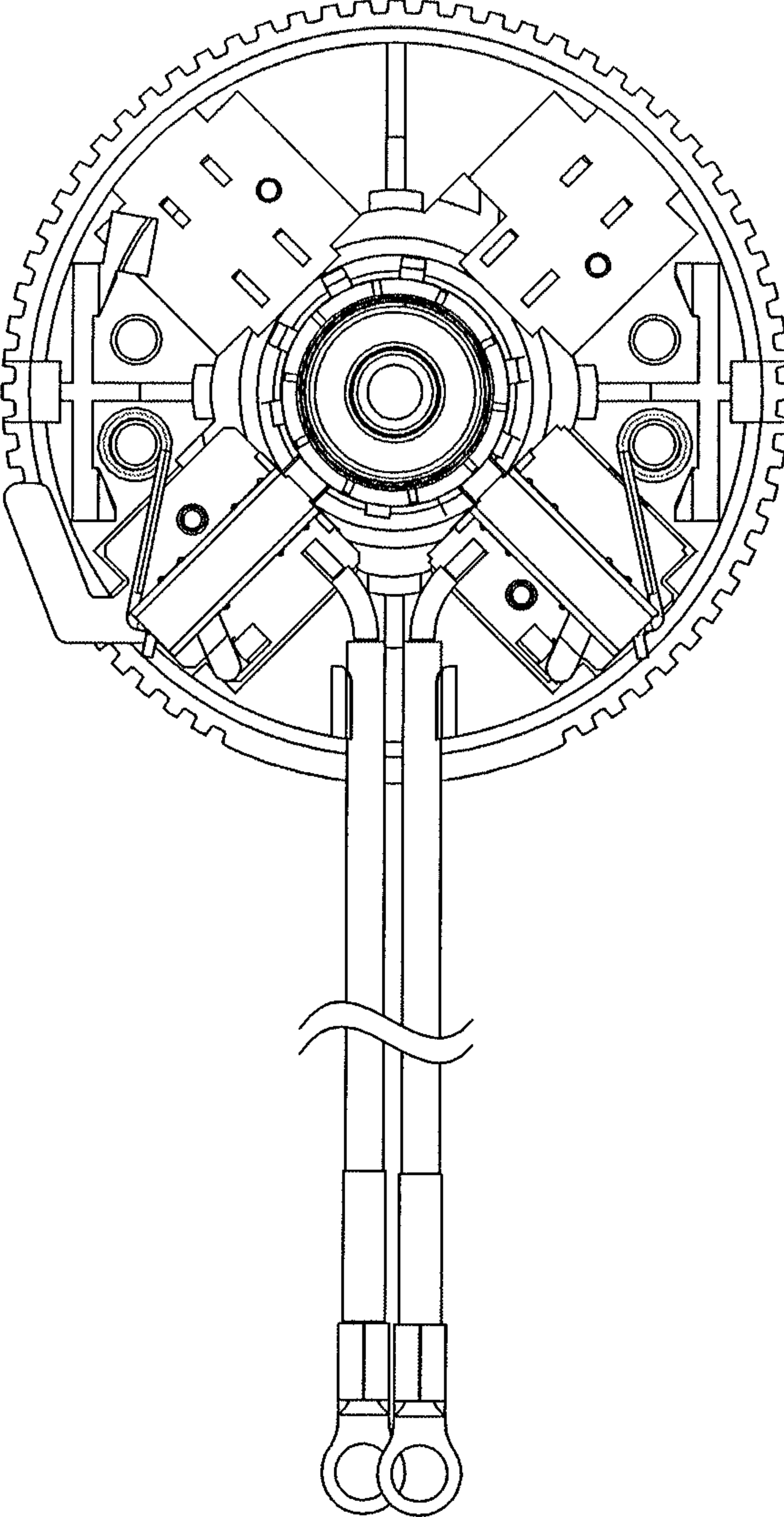


FIG. 3

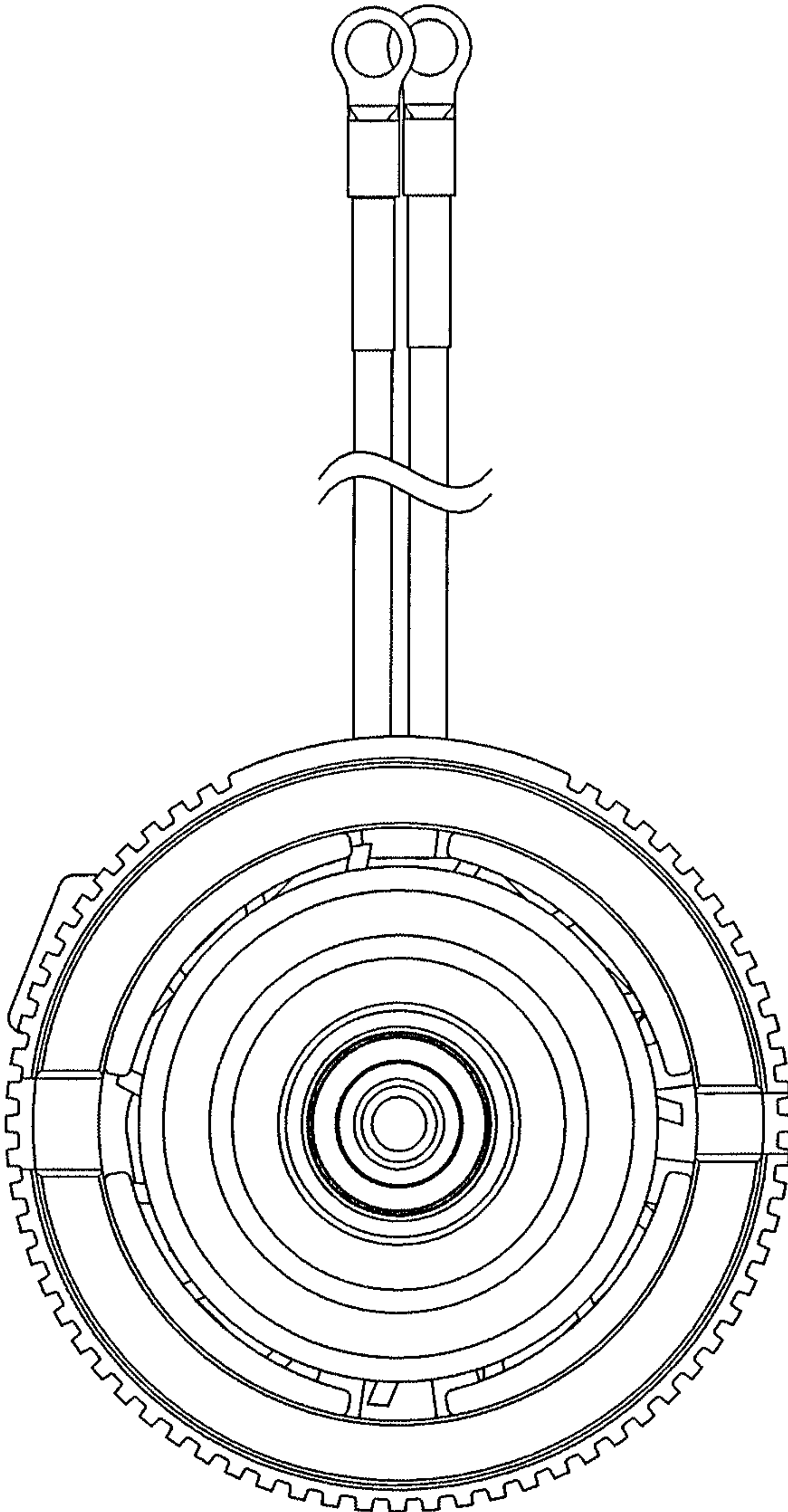


FIG. 4

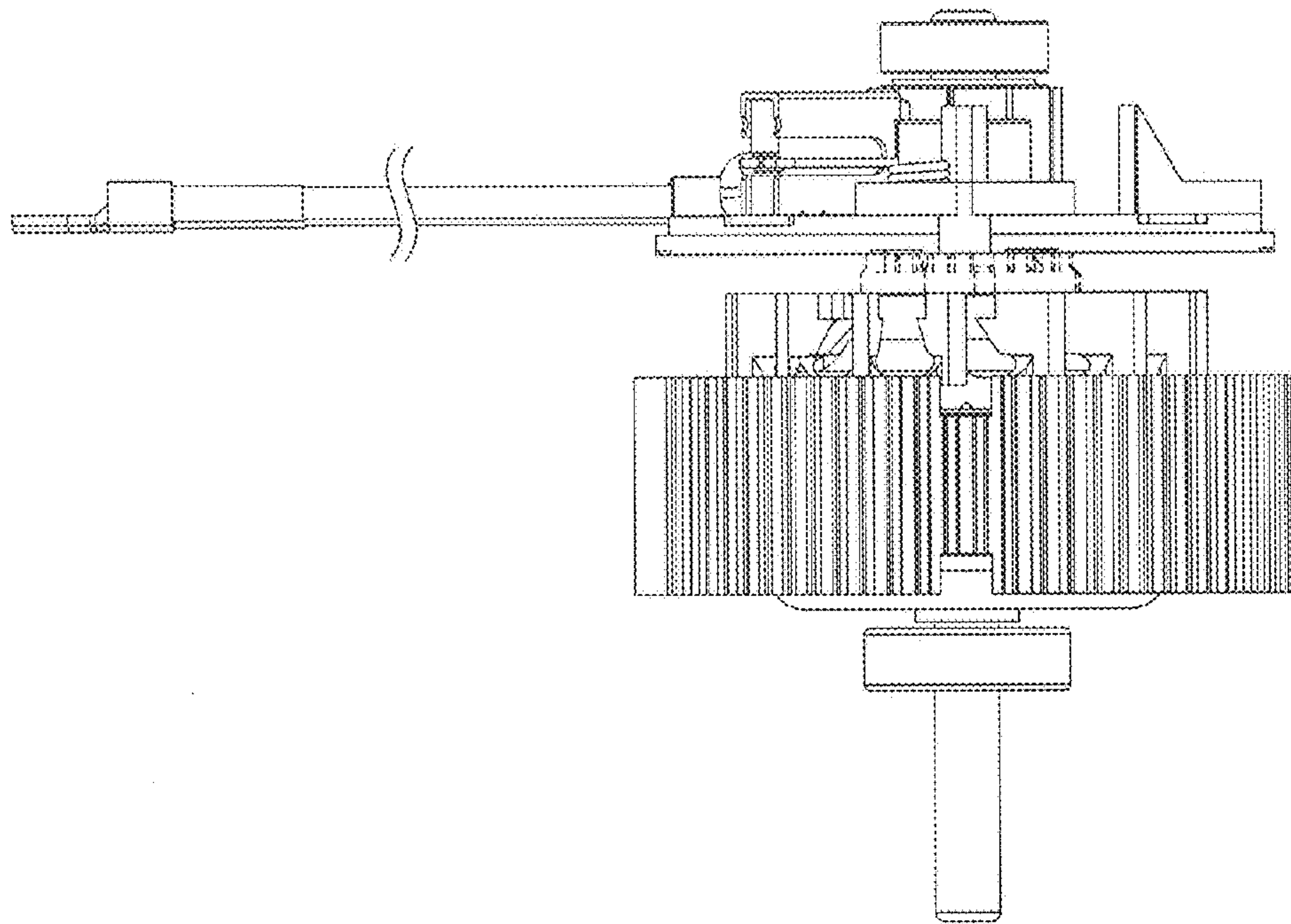


FIG. 5

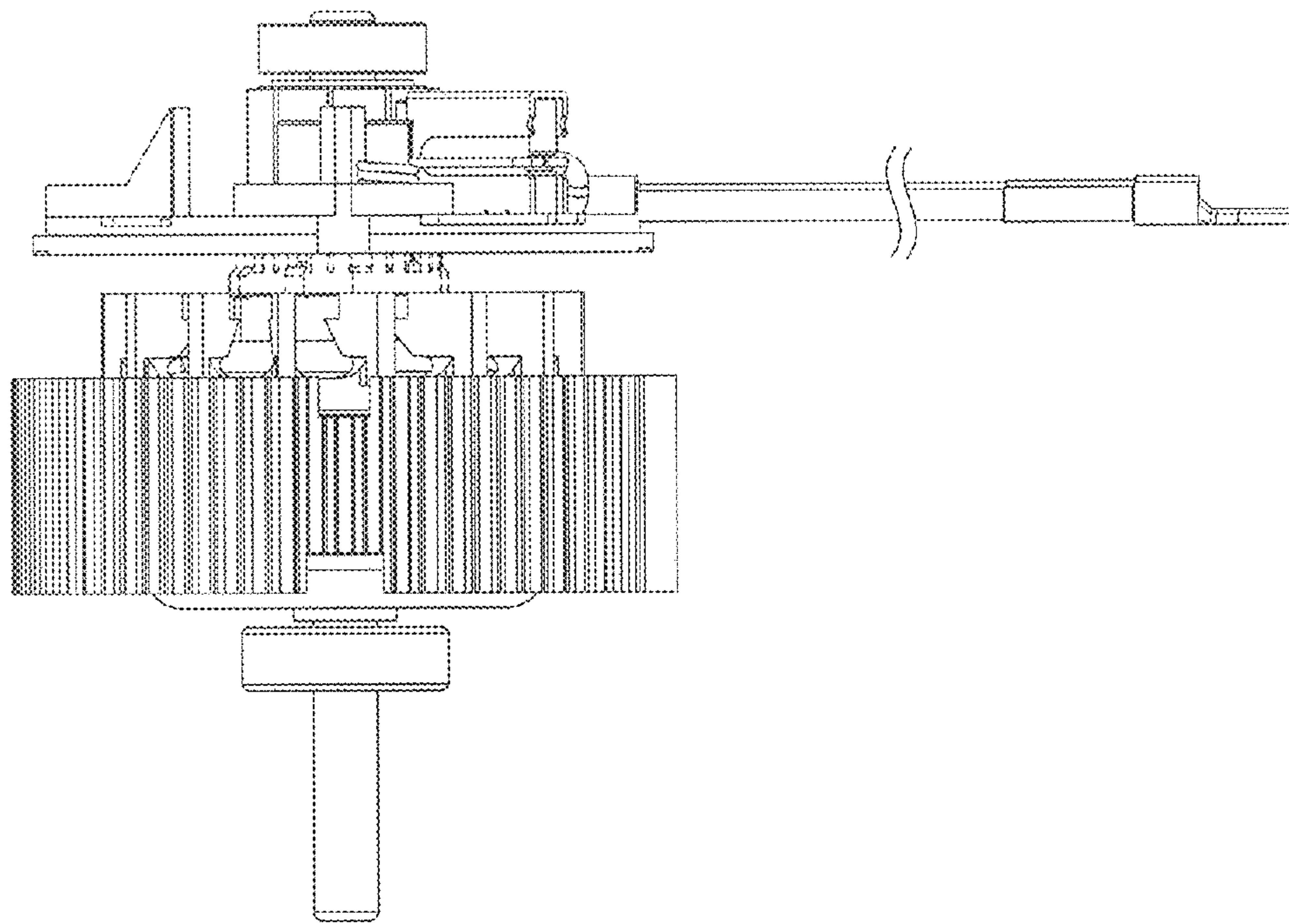


FIG. 6

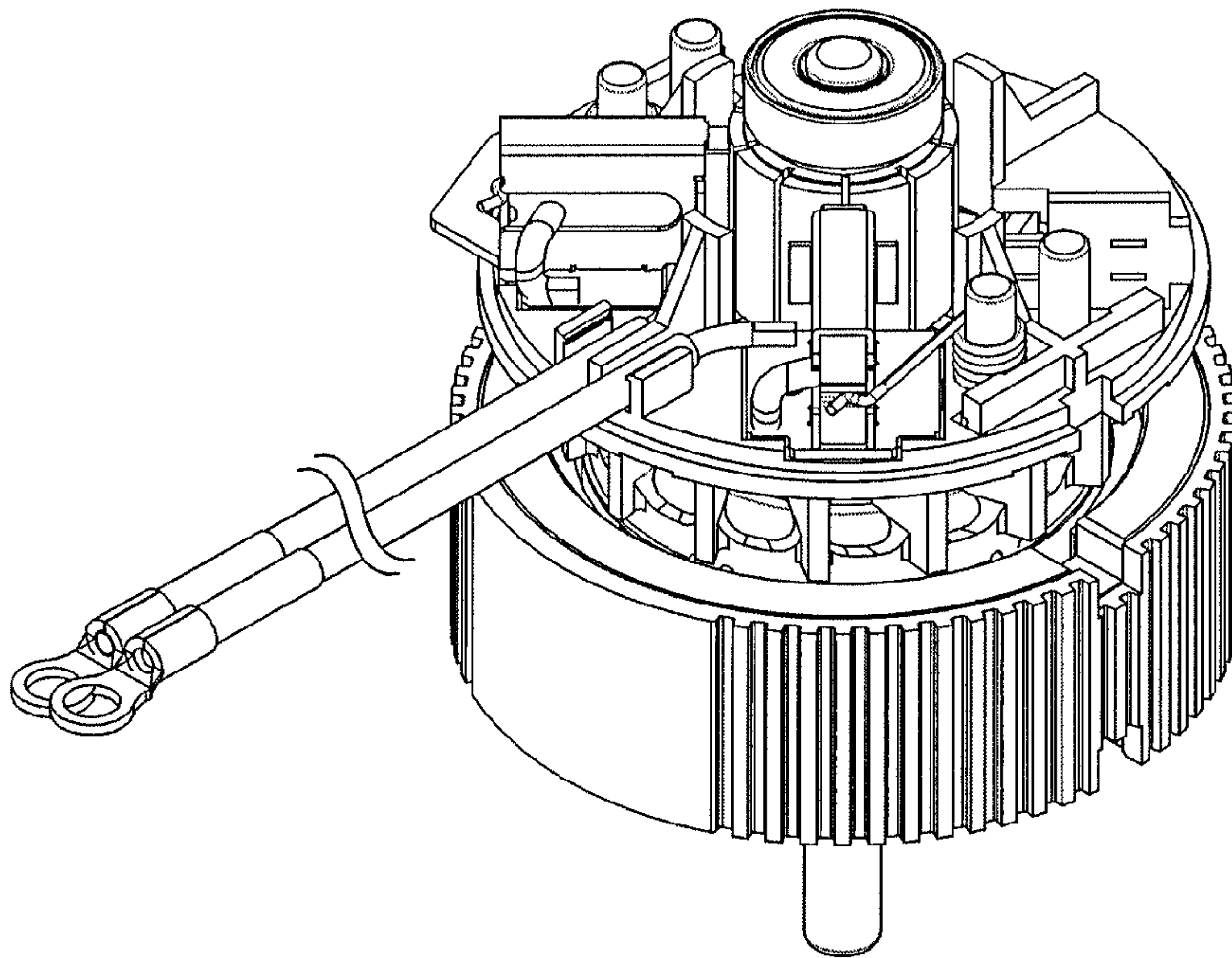


FIG. 7

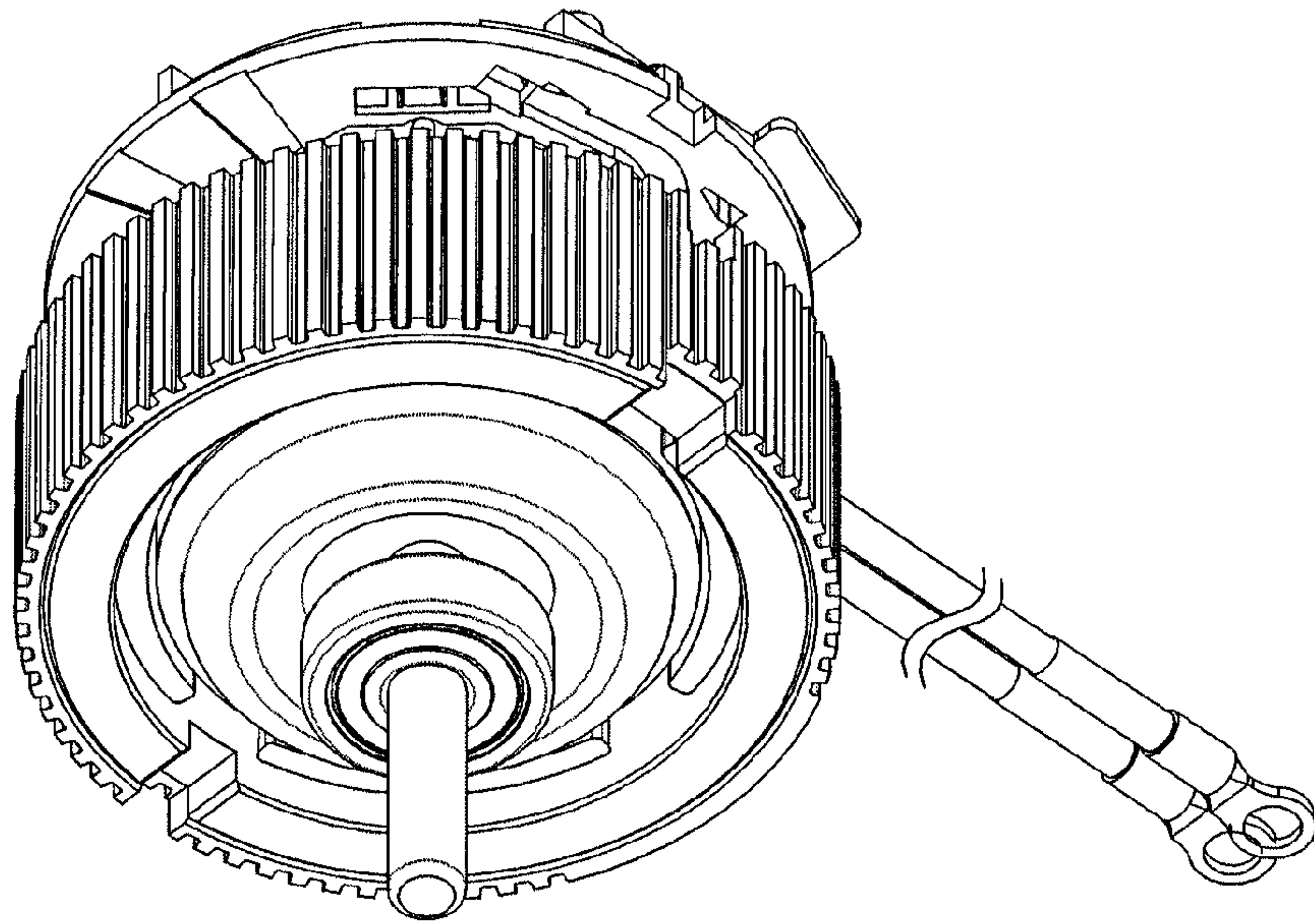


FIG. 8