



US00D722549S

(12) **United States Design Patent**
Renforth et al.

(10) **Patent No.:** **US D722,549 S**

(45) **Date of Patent:** **** Feb. 17, 2015**

(54) **VEHICLE PET BARRIER**

(56) **References Cited**

(71) Applicants: **Jack William Renforth**, Arlington, TX (US); **Ann Hanson**, Ionia, MI (US); **Paul Fair**, Denver, CO (US); **Jamie Kummerfeld**, Greeley, CO (US); **Roy Swanson**, Littleton, CO (US)

U.S. PATENT DOCUMENTS

3,044,800	A *	7/1962	Wicker	296/24.43
3,949,706	A *	4/1976	Coon, Jr.	D12/101
4,653,562	A *	3/1987	Moss et al.	296/152
4,848,832	A *	7/1989	Starnes	296/166
5,192,112	A *	3/1993	Gherardi et al.	296/166
5,558,034	A *	9/1996	Hodapp	D12/317
D393,622	S *	4/1998	Goertzen	D12/426
D473,838	S *	4/2003	Wang	D12/414
7,017,520	B2 *	3/2006	Wang	296/24.43
2008/0005967	A1 *	1/2008	Johnson et al.	49/61
2011/0023788	A1 *	2/2011	Beechie	119/172
2012/0181808	A1 *	7/2012	Reed et al.	296/24.31

(72) Inventors: **Jack William Renforth**, Arlington, TX (US); **Ann Hanson**, Ionia, MI (US); **Paul Fair**, Denver, CO (US); **Jamie Kummerfeld**, Greeley, CO (US); **Roy Swanson**, Littleton, CO (US)

(73) Assignee: **Doskocil Manufacturing Company, Inc.**, Arlington, TX (US)

* cited by examiner

Primary Examiner — Deanna L Pratt

Assistant Examiner — Natasha Vujcic

(**) Term: **14 Years**

(74) *Attorney, Agent, or Firm* — Eckert Seamans Cherin & Mellott, LLC; Brij K. Agarwal

(21) Appl. No.: **29/449,226**

(22) Filed: **Mar. 14, 2013**

(57) **CLAIM**

The ornamental design for a vehicle pet barrier, as shown and described.

(51) **LOC (10) Cl.** **12-16**

(52) **U.S. Cl.**
USPC **D12/400**

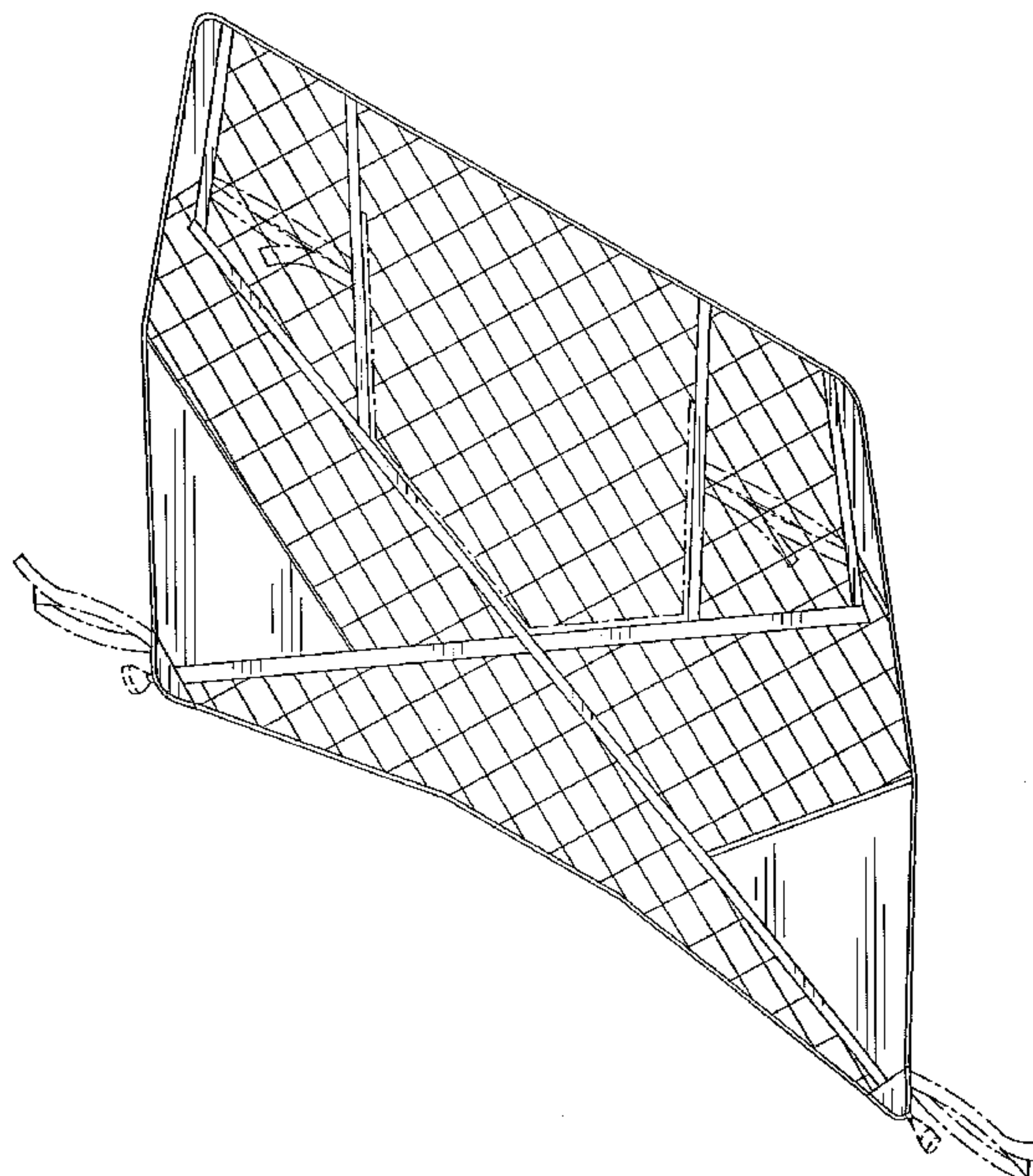
DESCRIPTION

(58) **Field of Classification Search**
CPC B60P 3/32; B60P 3/34; B60P 3/341; B60P 3/40; B60P 3/41; B60P 3/42; B63B 25/18; B63B 25/20; B63B 25/28; A01K 1/00; A01K 1/0017; A01K 1/0035; A01K 1/03; A01K 1/06; A01K 1/0613; A01K 3/002; A01L 13/00
USPC D12/20, 84, 89, 96, 97, 100, 101, 103, D12/104, 106, 196, 203, 314, 400, 406, D12/414; D28/36, 92; 280/5.3, 163, 164.2, 280/166, 169, 291; 296/156, 162, 164, 166

FIG. 1 is a perspective view of the vehicle pet barrier; FIG. 2 is front elevational view thereof; FIG. 3 is a top plan view thereof; FIG. 4 is a bottom plan view thereof; FIG. 5 is a left side elevational view thereof; FIG. 6 is a right side elevational view thereof; and, FIG. 7 is a rear elevational view thereof. The broken lines shown in the drawings illustrate portions of the vehicle pet barrier that form no part of the claimed design.

See application file for complete search history.

1 Claim, 4 Drawing Sheets



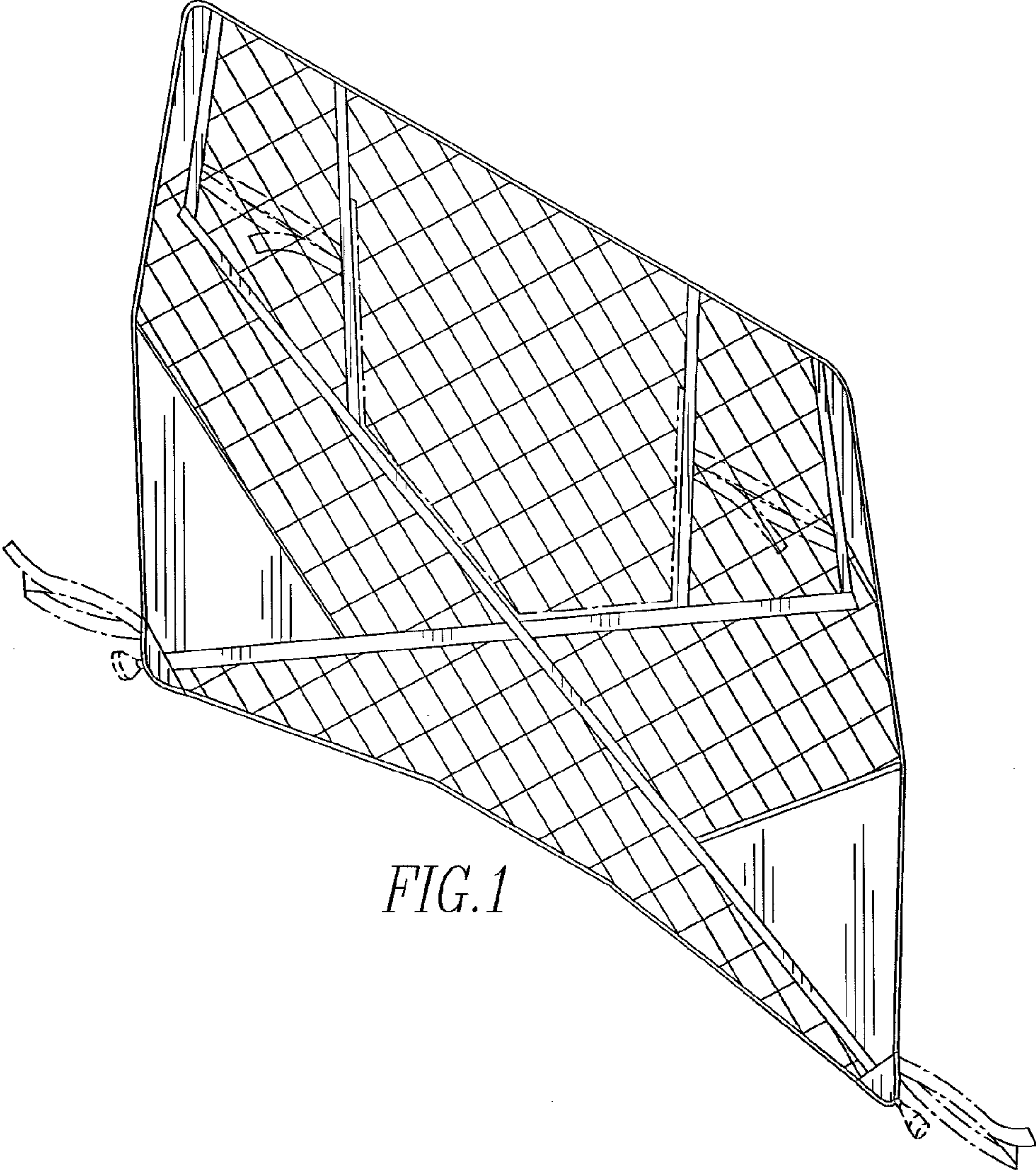


FIG.1

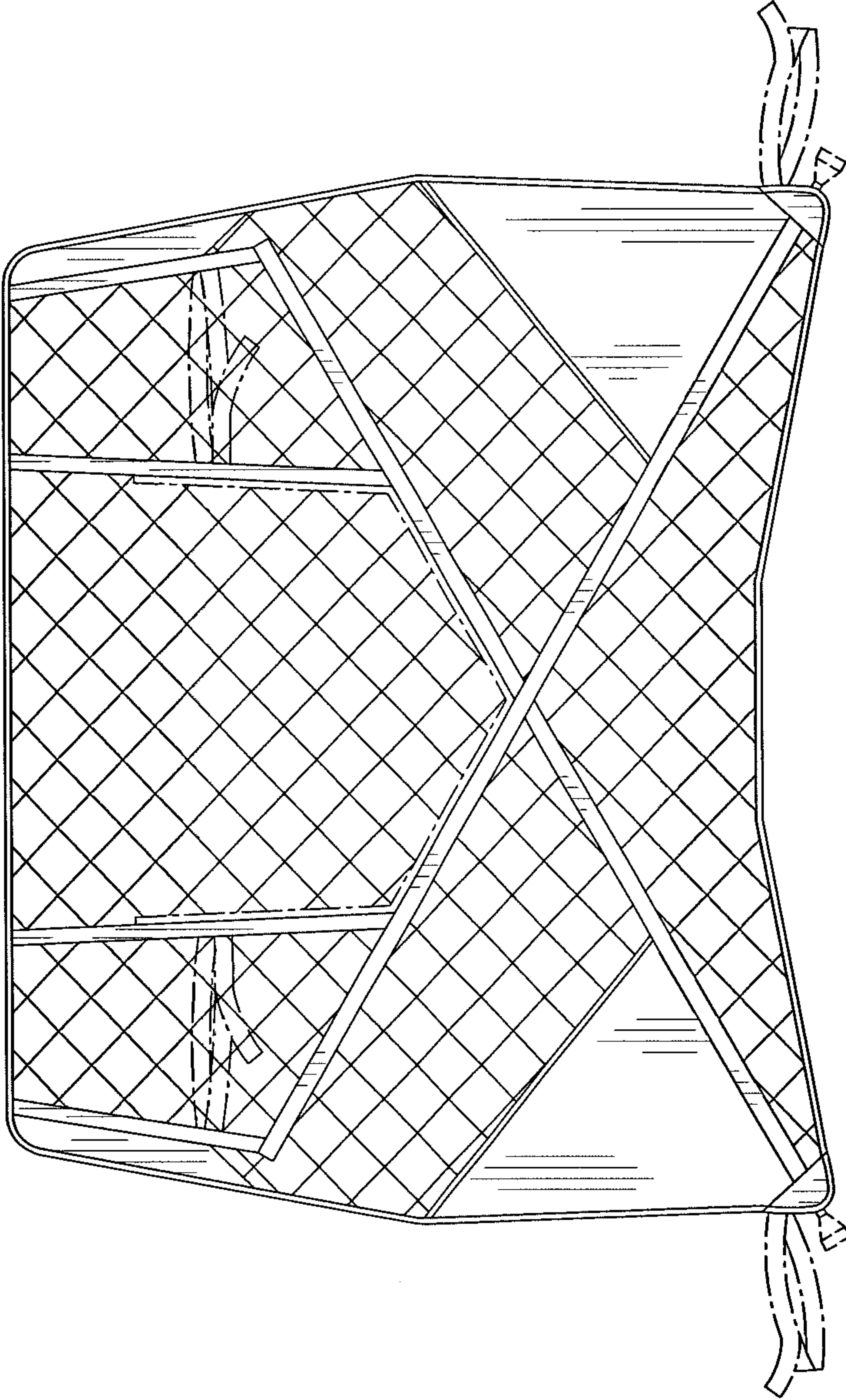
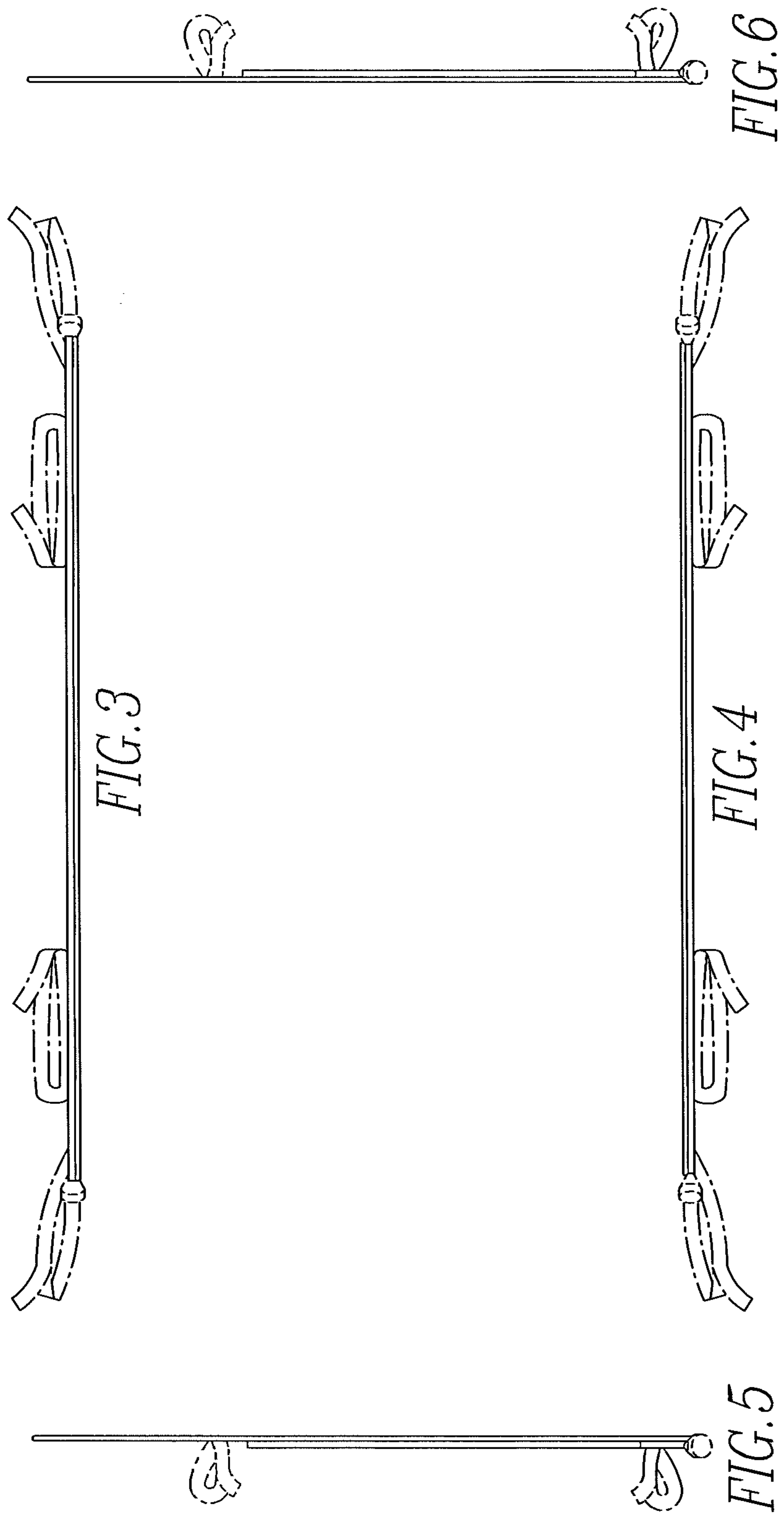


FIG. 2



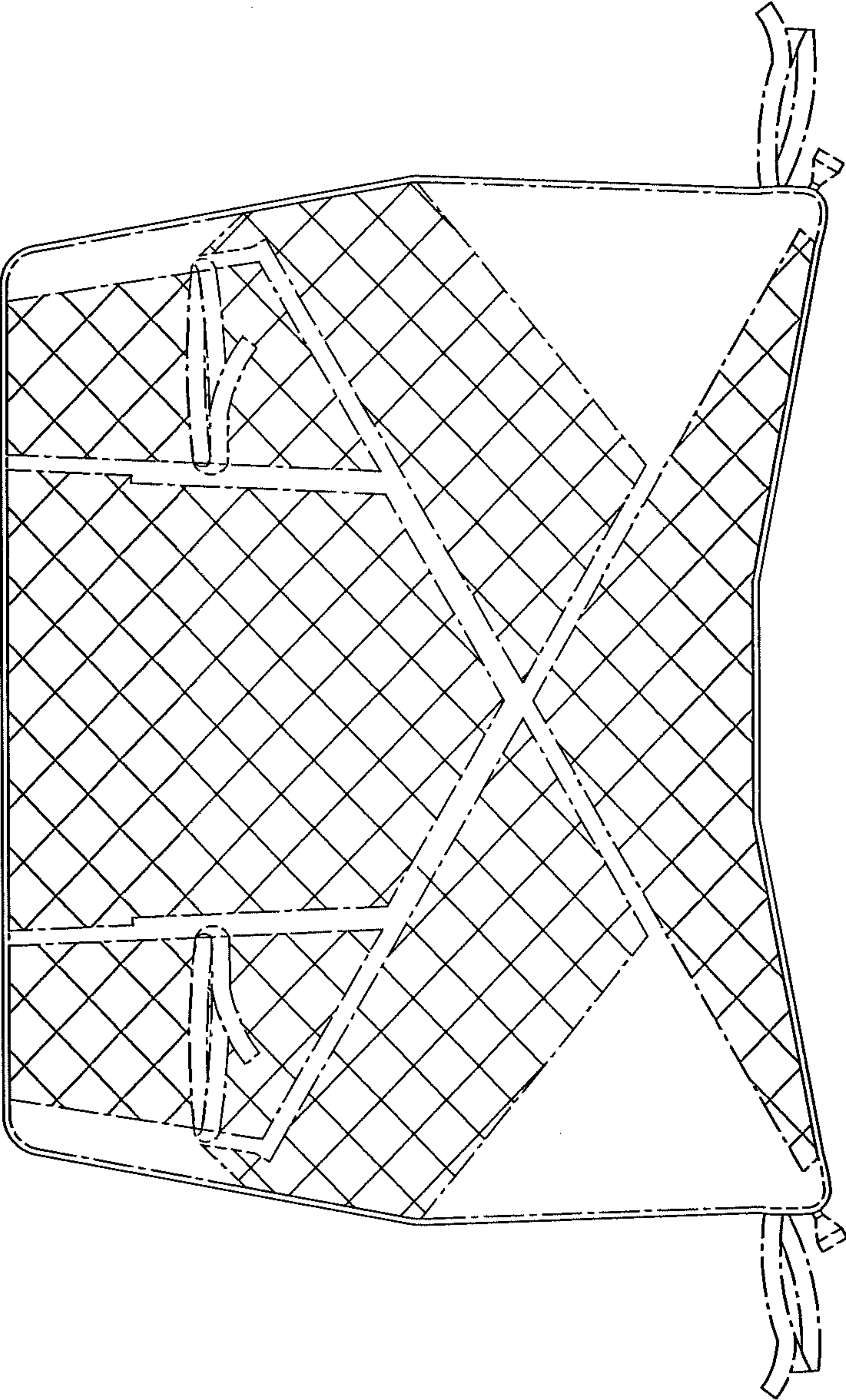


FIG. 7