



US00D722548S

(12) **United States Design Patent**  
**Chung**

(10) **Patent No.:** **US D722,548 S**  
(45) **Date of Patent:** **\*\* Feb. 17, 2015**

- (54) **AUTOMOTIVE WHEEL**
- (71) Applicant: **Suny Chung**, Anaheim, CA (US)
- (72) Inventor: **Suny Chung**, Anaheim, CA (US)
- (\*\*) Term: **14 Years**
- (21) Appl. No.: **29/494,180**
- (22) Filed: **Jun. 18, 2014**
- (51) **LOC (10) Cl.** ..... **12-16**
- (52) **U.S. Cl.**  
USPC ..... **D12/211**
- (58) **Field of Classification Search**  
CPC ..... B60B 7/00; B60B 7/02; B60B 7/04;  
B60B 7/01; B60B 7/06; B60B 3/02; B60B  
3/04; B60B 3/06; B60B 3/10; B60B 1/00;  
B60B 1/08; B60B 1/10; B60B 1/12  
USPC ..... D12/204–213  
See application file for complete search history.

(56) **References Cited**

**U.S. PATENT DOCUMENTS**

- D482,307 S \* 11/2003 Lee ..... D12/211
- D543,493 S \* 5/2007 Kim ..... D12/209
- D578,458 S \* 10/2008 Cortes ..... D12/211

- D586,715 S \* 2/2009 Cortes ..... D12/211
- D590,315 S \* 4/2009 Chung ..... D12/209
- D624,863 S \* 10/2010 Zhao ..... D12/211
- D688,187 S \* 8/2013 McMath ..... D12/209
- D706,199 S \* 6/2014 Chung ..... D12/211
- D707,167 S \* 6/2014 Chung ..... D12/209
- D709,020 S \* 7/2014 Chung ..... D12/211
- D709,428 S \* 7/2014 Chung ..... D12/209

\* cited by examiner

*Primary Examiner* — Stacia Cadmus

(57) **CLAIM**

The ornamental design for an automotive wheel, as shown and described.

**DESCRIPTION**

FIG. 1 is a perspective view of an automotive wheel, showing my new design

FIG. 2 is a front view thereof

FIG. 3 is a perspective view of a second embodiment of an automotive wheel, showing my new design without cap; and, FIG. 4 is a front view thereof.

The broken line showing of the rear portion of the wheel is included for the purpose of illustrating environment and forms no part of the claimed design.

**1 Claim, 4 Drawing Sheets**

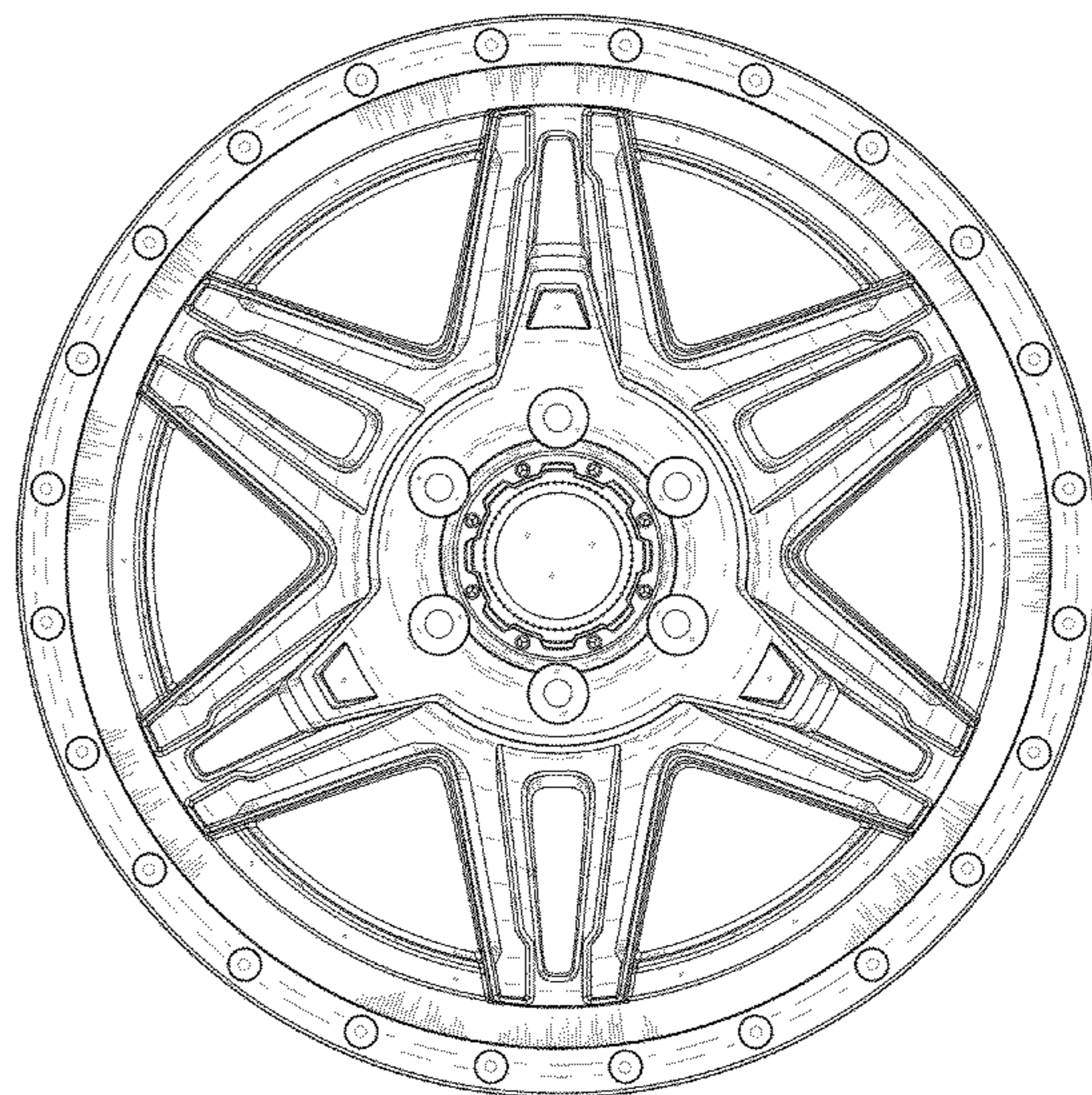
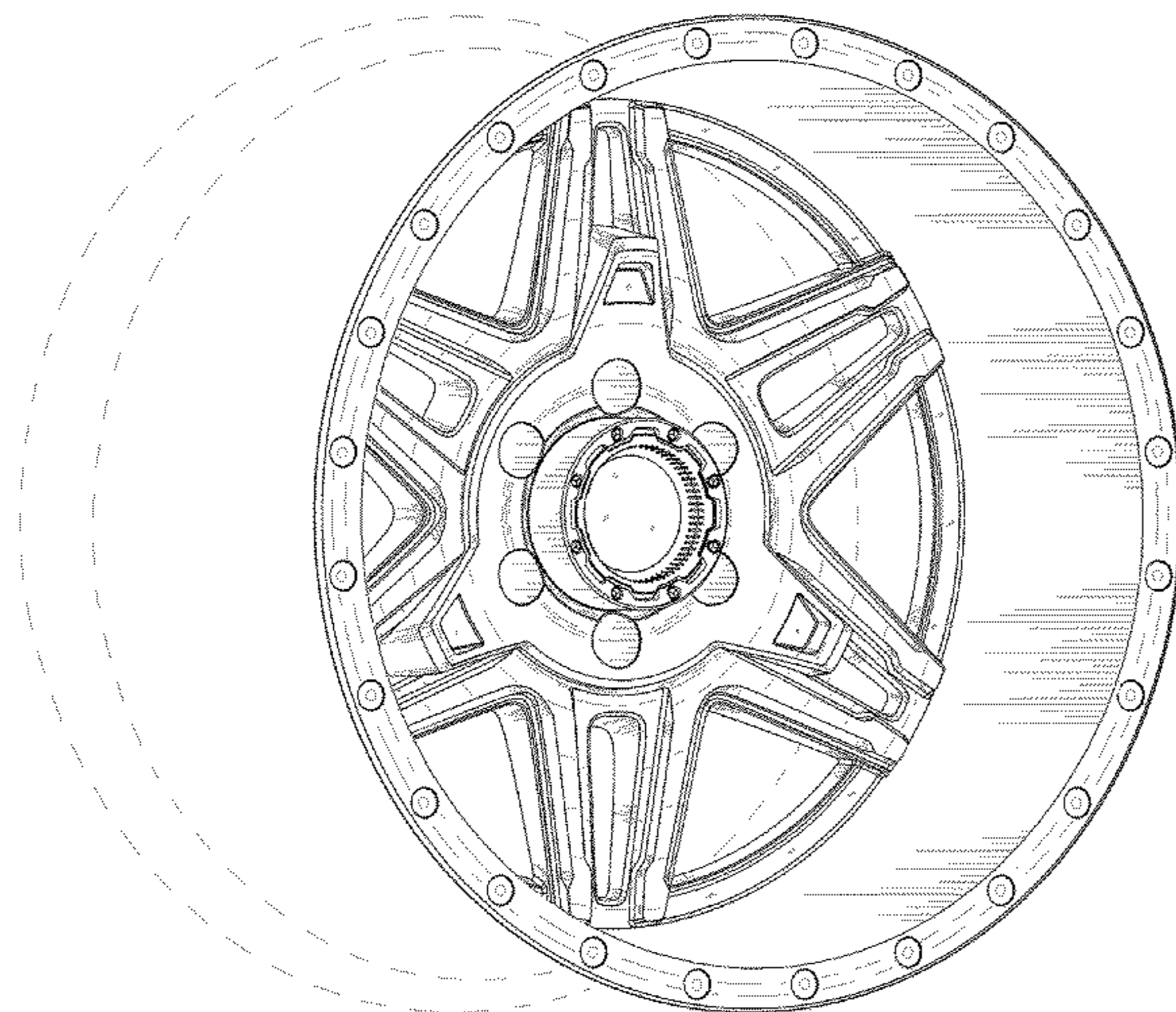


FIGURE 1

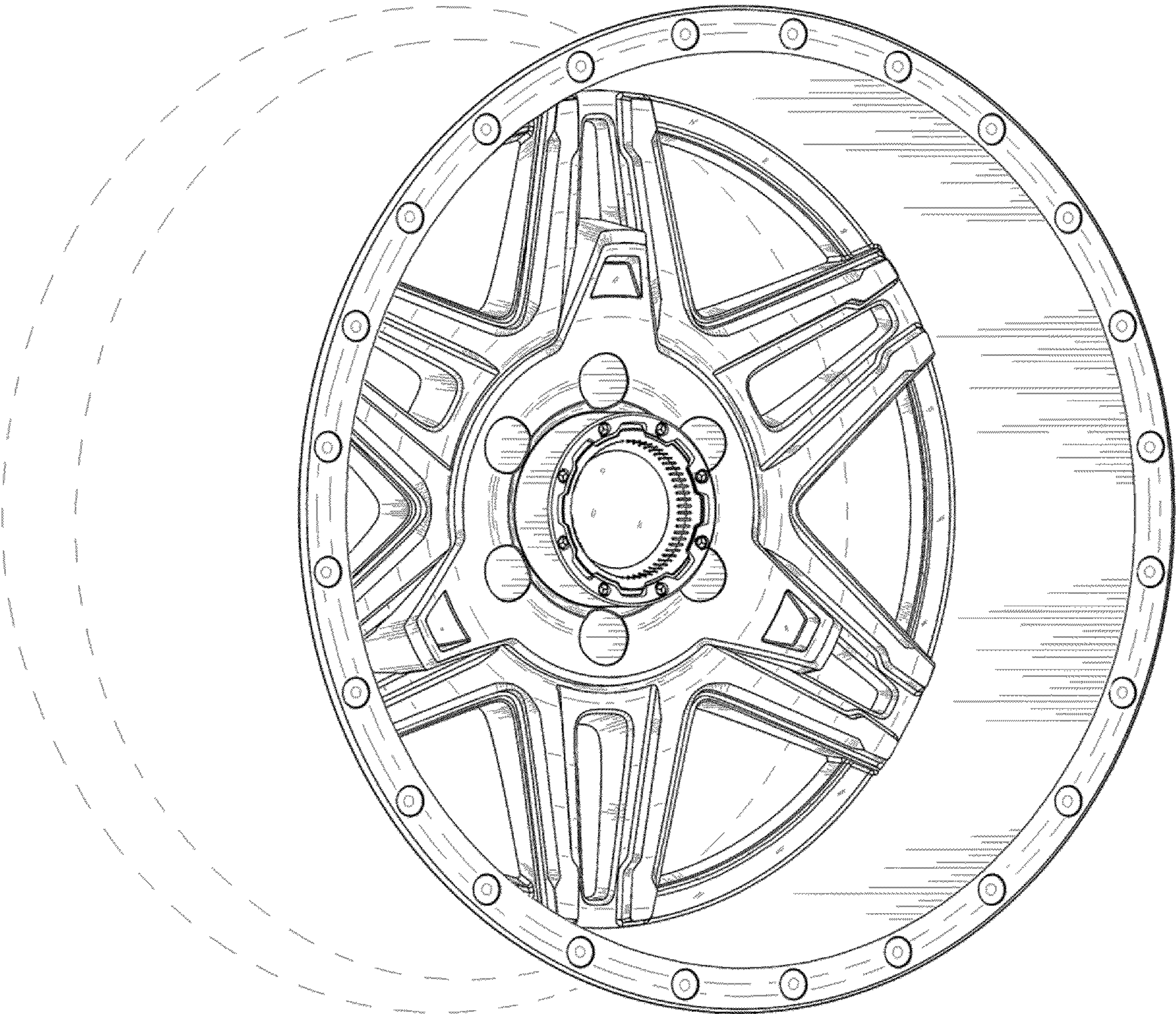


FIGURE 2

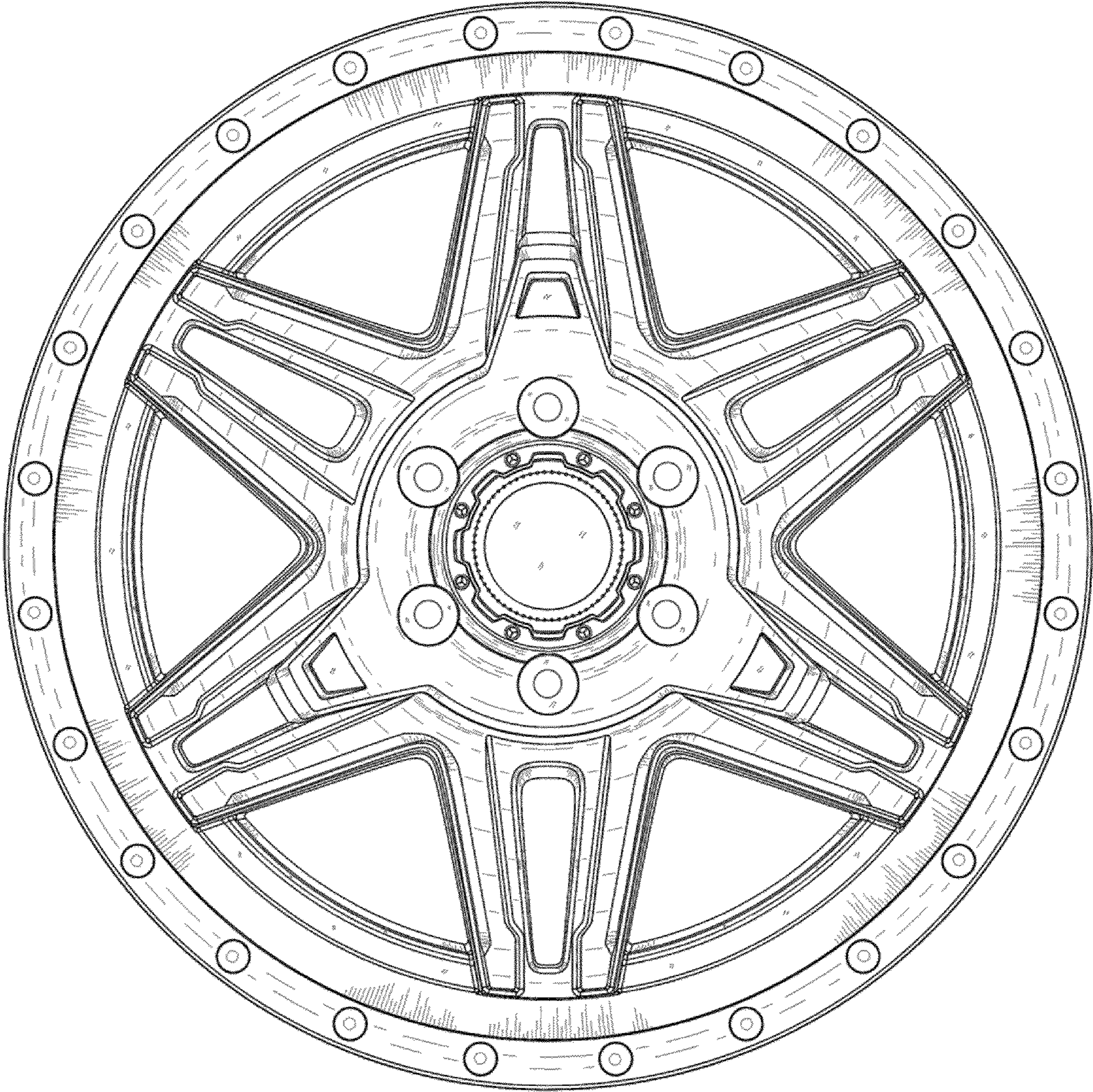


FIGURE 3

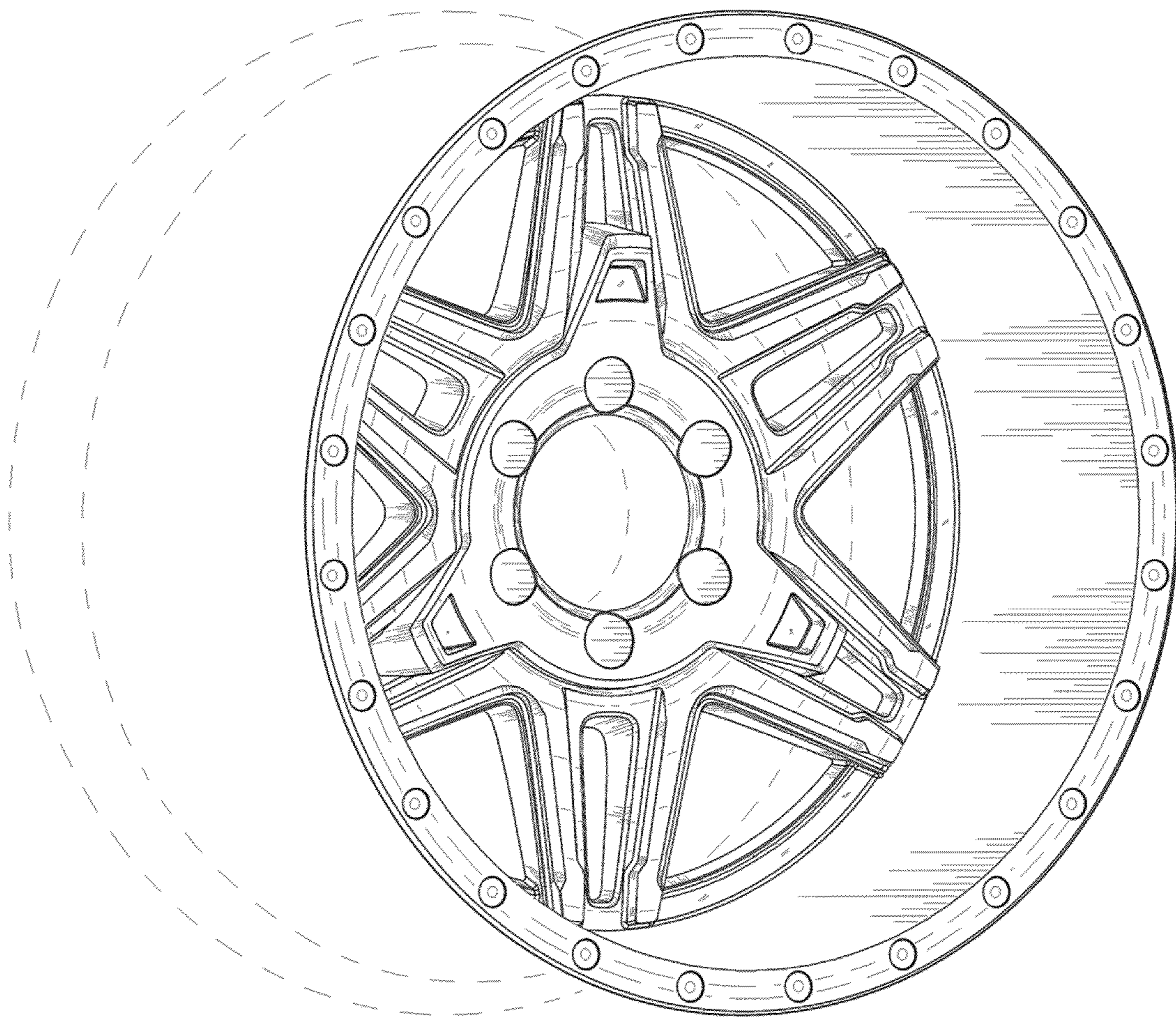


FIGURE 4

