



US00D722545S

(12) **United States Design Patent**
Chung

(10) **Patent No.:** **US D722,545 S**
(45) **Date of Patent:** **** Feb. 17, 2015**

(54) **AUTOMOTIVE WHEEL**

(71) Applicant: **Suny Chung**, Brea, CA (US)

(72) Inventor: **Suny Chung**, Brea, CA (US)

(**) Term: **14 Years**

(21) Appl. No.: **29/442,695**

(22) Filed: **Apr. 22, 2013**

(51) **LOC (10) Cl.** **12-16**

(52) **U.S. Cl.**
USPC **D12/209**

(58) **Field of Classification Search**
CPC B60B 7/00; B60B 7/02; B60B 7/04;
B60B 7/01; B60B 7/06; B60B 1/00; B60B
1/08; B60B 1/10; B60B 1/12; B60B 3/02;
B60B 3/04; B60B 3/06; B60B 3/10
USPC D12/204–213
See application file for complete search history.

(56) **References Cited**

U.S. PATENT DOCUMENTS

D367,031 S *	2/1996	Hubbach	D12/209
D401,205 S *	11/1998	Fischer	D12/209
D452,838 S *	1/2002	Hieke	D12/209
D458,886 S *	6/2002	Bhambra	D12/209
D480,673 S *	10/2003	Bhambra et al.	D12/209
D485,523 S *	1/2004	Takechi	D12/209

D486,112 S *	2/2004	Lecher	D12/211
D491,866 S *	6/2004	Warming	D12/209
D495,985 S *	9/2004	Lai	D12/209
D497,339 S *	10/2004	Heinrich	D12/209
D503,916 S *	4/2005	Clarke	D12/209
D515,996 S *	2/2006	Baumgartner	D12/209
D535,240 S *	1/2007	Chang	D12/211
D539,205 S *	3/2007	Hosoi	D12/211
D638,762 S *	5/2011	Hilpert	D12/209
D639,220 S *	6/2011	Zhao	D12/209
D641,302 S *	7/2011	Ettensberger	D12/211
D682,765 S *	5/2013	Alfonso	D12/211

* cited by examiner

Primary Examiner — Stacia Cadmus

(57) **CLAIM**

The ornamental design for an automotive wheel, as shown and described.

DESCRIPTION

FIG. 1 is a perspective view of an automotive wheel, showing my new design; and, FIG. 2 is a front view thereof.

The broken line showing of the rear portion of the wheel is included for the purpose of illustrating environment and forms no part of the claimed design.

1 Claim, 2 Drawing Sheets

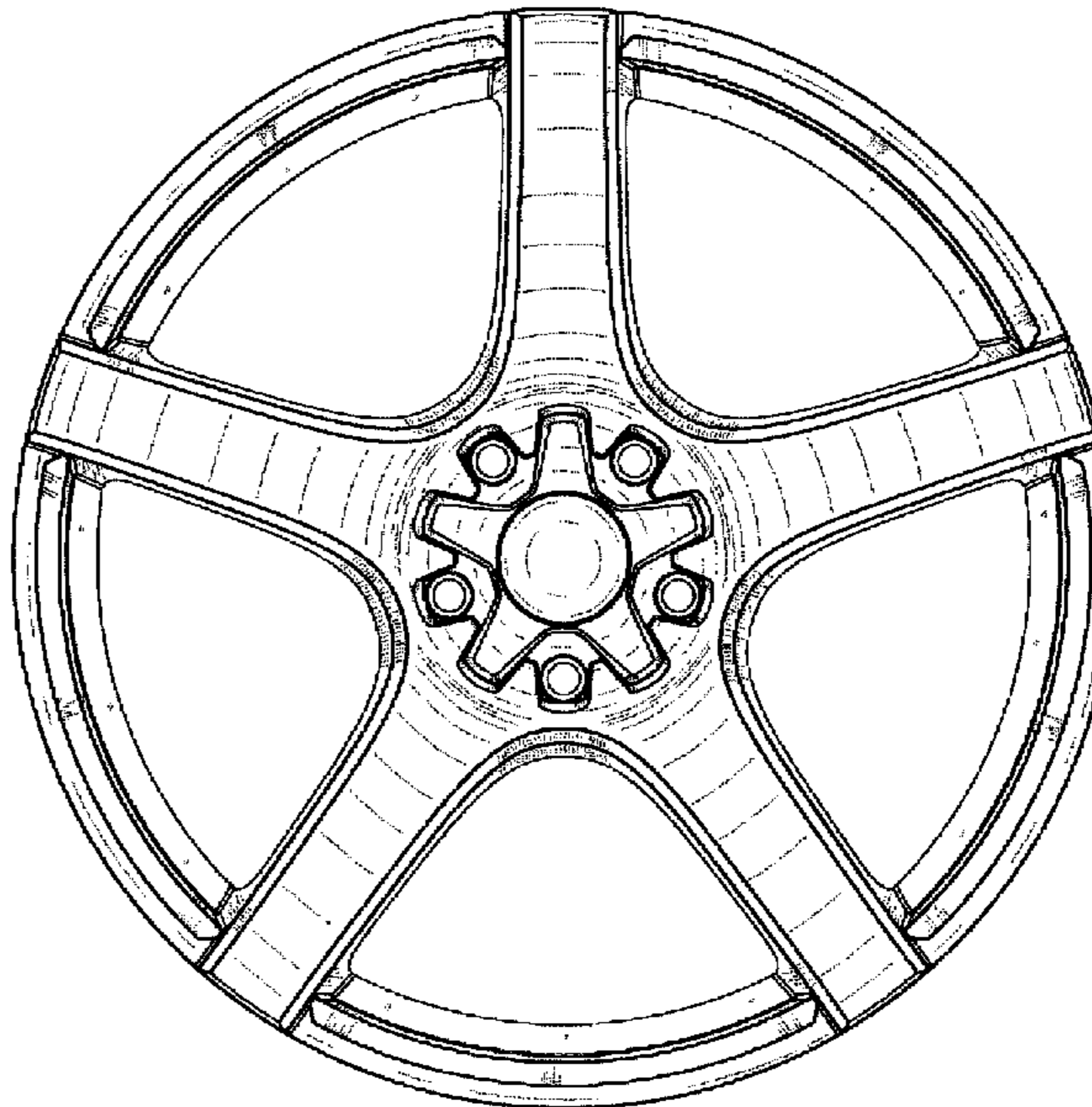
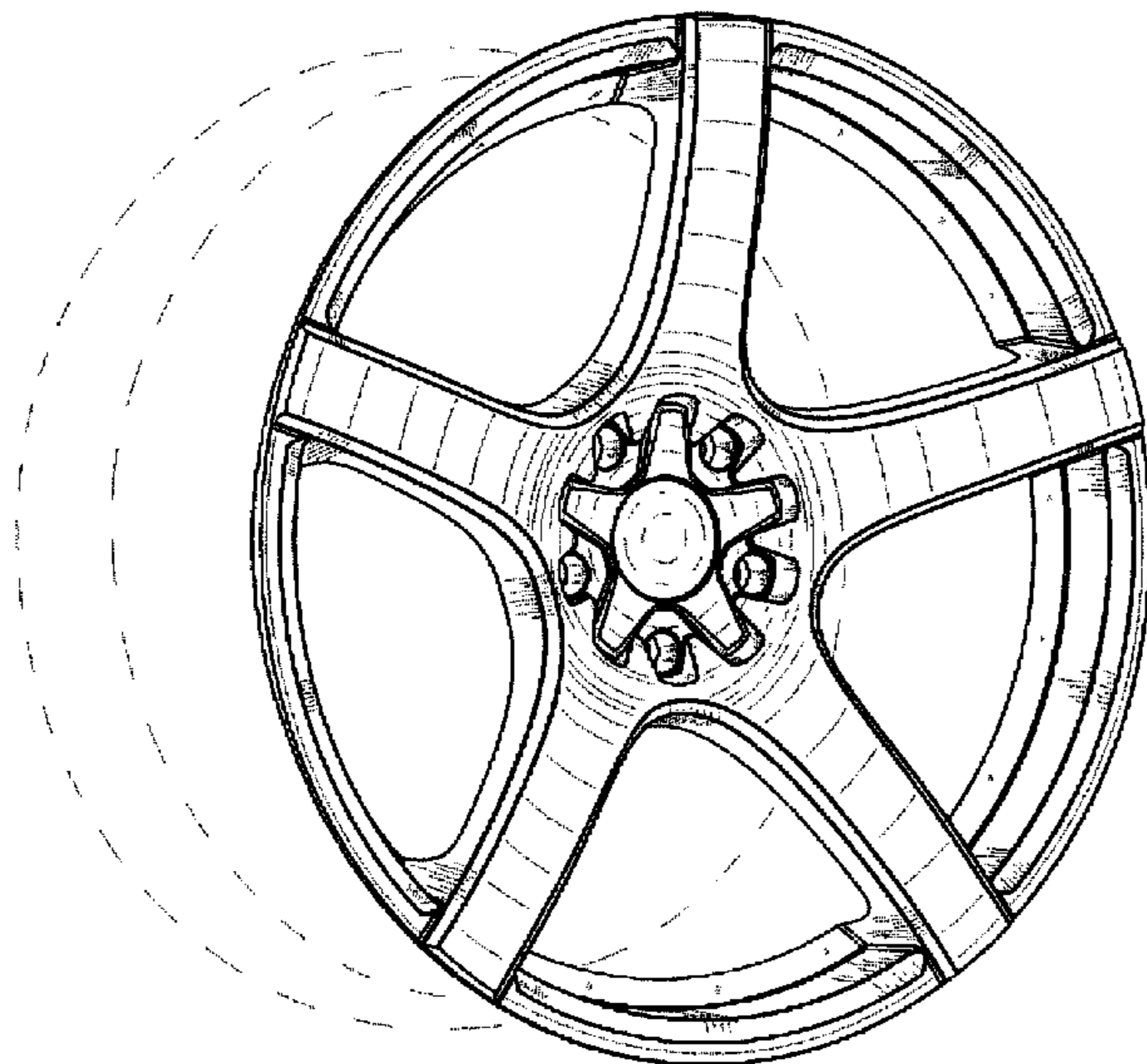


FIGURE 1

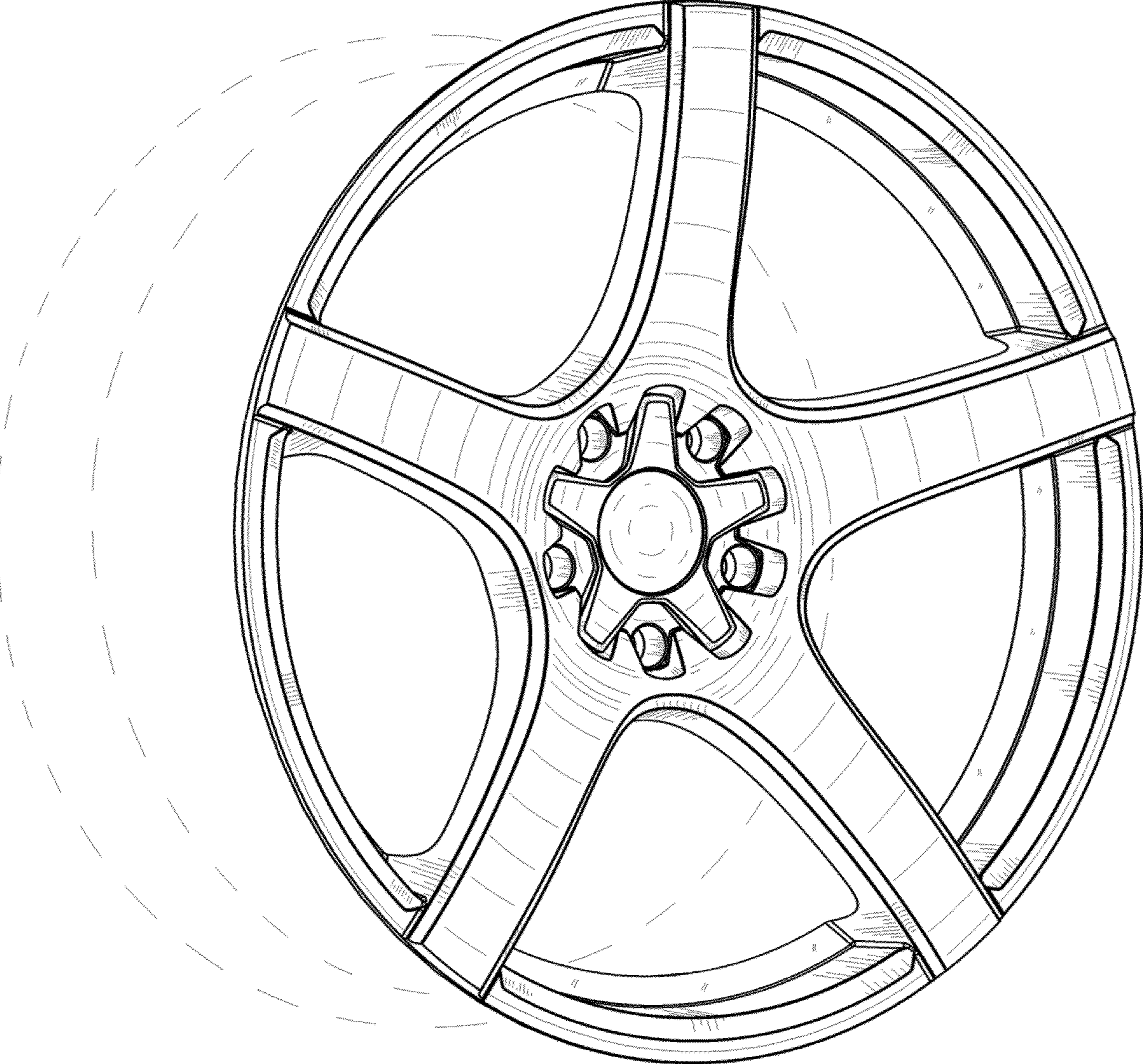


FIGURE 2

