



US00D722542S

(12) **United States Design Patent**
Ikeda

(10) **Patent No.:** **US D722,542 S**
(45) **Date of Patent:** **** Feb. 17, 2015**

(54) **SHOCK ABSORBER**

(71) Applicant: **Showa Corporation**, Gyoda-shi (JP)

(72) Inventor: **Daisuke Ikeda**, Fukuroi (JP)

(73) Assignee: **Showa Corporation**, Gyoda-Shi (JP)

(**) Term: **14 Years**

(21) Appl. No.: **29/467,630**

(22) Filed: **Sep. 20, 2013**

(30) **Foreign Application Priority Data**

May 17, 2013 (JP) 2013-010955
Jun. 18, 2013 (JP) 2013-013750

(51) **LOC (10) Cl.** **12-16**

(52) **U.S. Cl.**
USPC **D12/159**

(58) **Field of Classification Search**

CPC F16F 1/02; F16F 1/36; F16F 7/003;
F16F 7/01; F16F 7/02; F16F 7/08; F16F 7/10;
F16F 7/12; F16F 7/14; B62D 21/02; B62D
21/06; B62D 21/07; B62D 21/08; B62D
21/09; B62D 21/10; B62D 21/11; B62D
21/12; B62D 21/14; B62D 21/15; B62D
21/16; B62D 21/17; B62D 21/18; B62D
27/02; B62D 27/04; B62D 27/06; B62D 1/02;
B62D 1/24; B62K 21/02; B62K 21/08
USPC 280/124.155, 124.147, 124.145,
280/124.146, 86.752, 11.225; 188/281,
188/298, 297, 315, 316, 274, 286; 267/195,
267/136, 64.15, 217; 464/173; D12/118,
D12/400, 161, 159, 160; 293/134
See application file for complete search history.

(56) **References Cited**

U.S. PATENT DOCUMENTS

4,766,982 A * 8/1988 Hayashi et al. 188/181 A
5,494,302 A * 2/1996 Farris et al. 280/276

(Continued)

OTHER PUBLICATIONS

Product Information of FGR200, [retrieved by the applicant on Sep. 11, 2013]. Retrieved from the Internet <URL:*> http://www.ohlins.se/Our-products-new/Motorcycle/Racing/Front-forks/FGR200/<>> According to the metadata, the content was created and last-modified on Feb. 13, 2012.
Product Information of FGRT200, [retrieved by the applicant on Sep. 11, 2013]. Retrieved from the Internet <URL:*> http://www.ohlins.se/Our-products-new/Motorcycle/Racing/Front-forks/FGRT200/<>> According to the metadata, the content was created and last-modified on Feb. 13, 2012.

Primary Examiner — Michael A Pratt

(74) *Attorney, Agent, or Firm* — Leason Ellis LLP

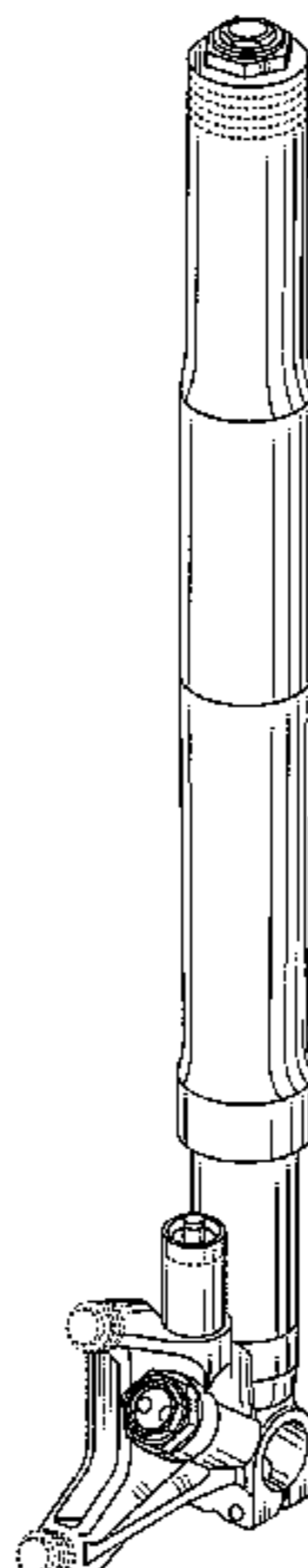
(57) **CLAIM**

The ornamental design for a shock absorber, as shown and described.

DESCRIPTION

FIG. 1 is a perspective view of the front, top and right side of a first embodiment of a shock absorber showing my new design;
FIG. 2 is a perspective view of the front and left side thereof;
FIG. 3 is a front view thereof;
FIG. 4 is a rear view thereof;
FIG. 5 is a left side view thereof;
FIG. 6 is a right side view thereof;
FIG. 7 is a top plan view thereof;
FIG. 8 is a bottom view thereof;
FIG. 9 is a reference view of usage of the first embodiment;
FIG. 10 is a perspective view of the front, top and left side of a second embodiment a shock absorber showing my new design;
FIG. 11 is a perspective view of the front and right side thereof;
FIG. 12 is a front view thereof;
FIG. 13 is a rear view thereof;
FIG. 14 is a left side view thereof;
FIG. 15 is a right side view thereof;
FIG. 16 is a top plan view thereof;
FIG. 17 is a bottom view thereof; and,
FIG. 18 is a reference view of usage of the second embodiment.
The broken lines shown are included for the purpose of illustrating the unclaimed portions of and form no part of the claimed design.

1 Claim, 10 Drawing Sheets



US D722,542 S

Page 2

(56)

References Cited

U.S. PATENT DOCUMENTS

7,565,955 B2 *	7/2009	Costa	188/272
8,336,899 B2 *	12/2012	Soggio	280/276
2014/0145413 A1 *	5/2014	Baltaxe et al.	280/279
5,592,999 A *	1/1997	Matsuura et al.	180/227
6,244,609 B1 *	6/2001	Wilson	280/276

* cited by examiner

Fig. 1

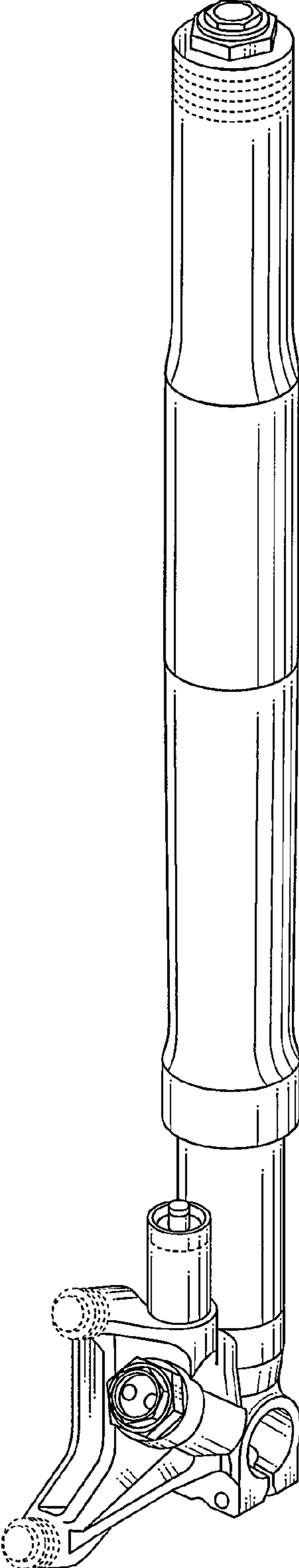


Fig. 2

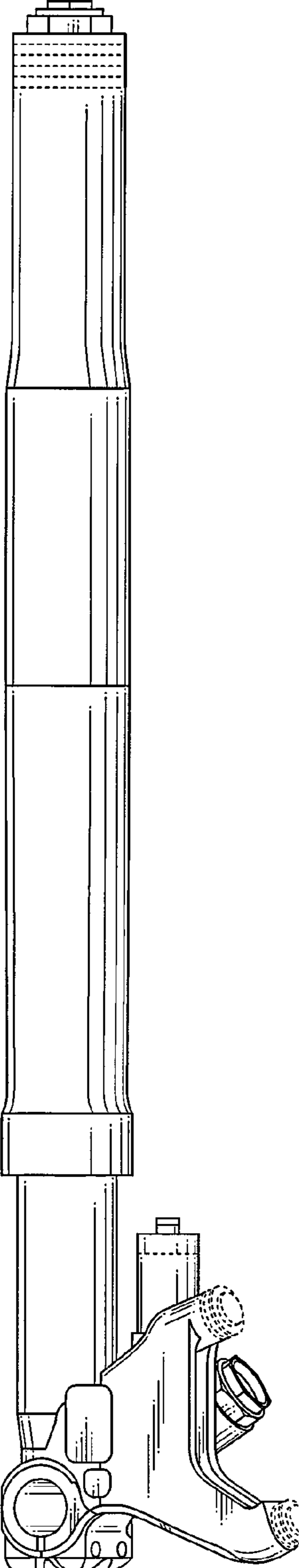


Fig. 3

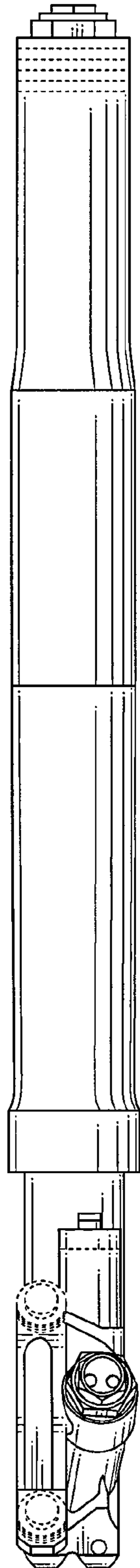


Fig. 4

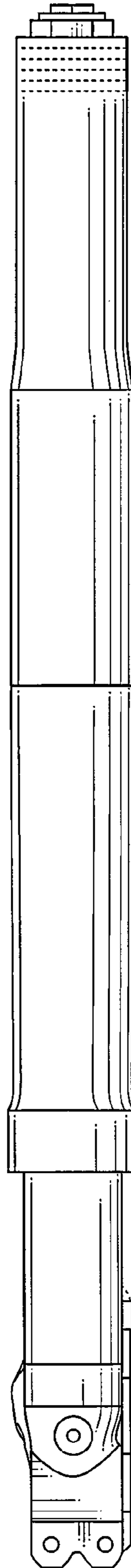


Fig. 5

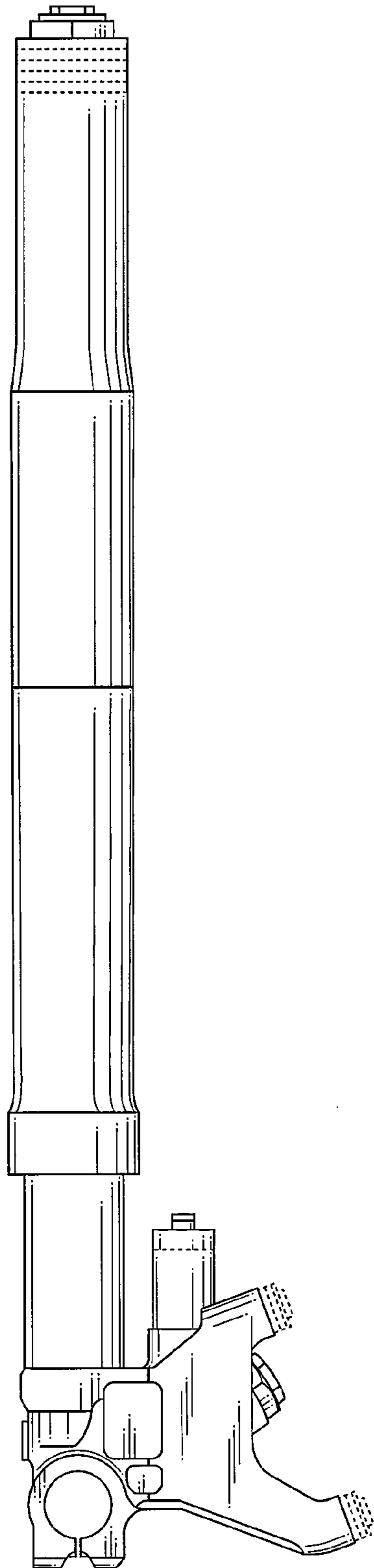


Fig. 6



Fig. 7

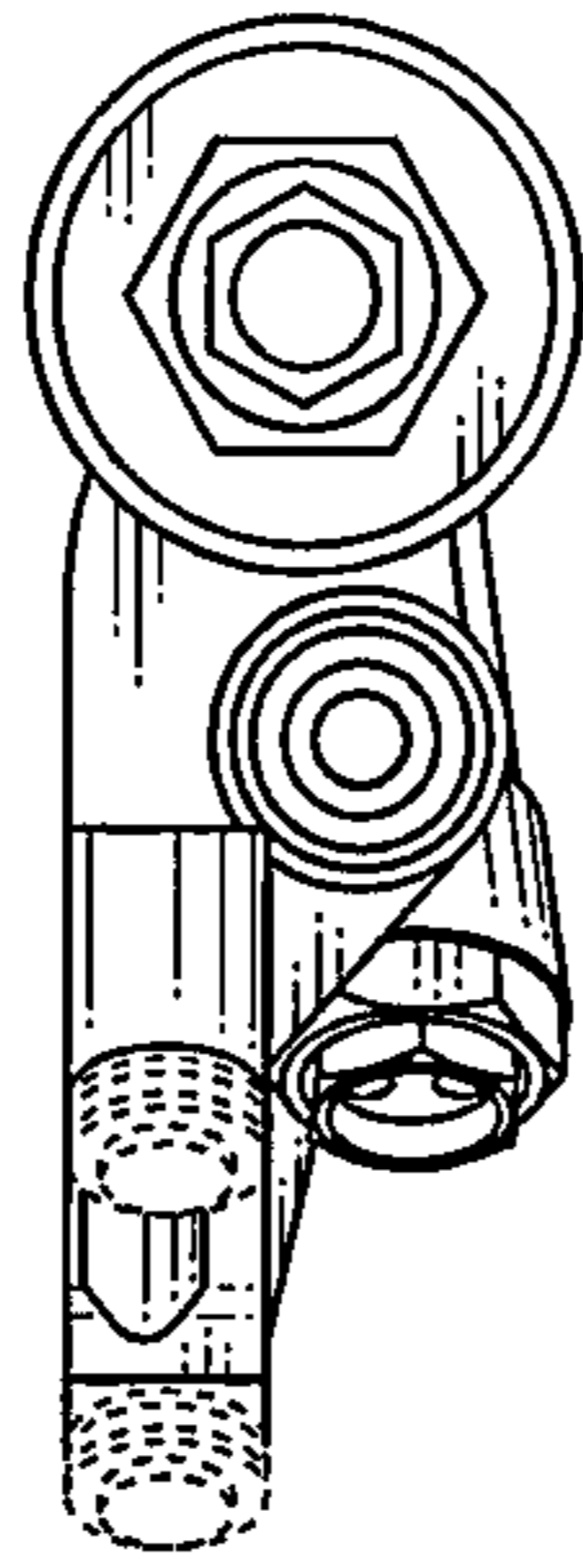


Fig. 8

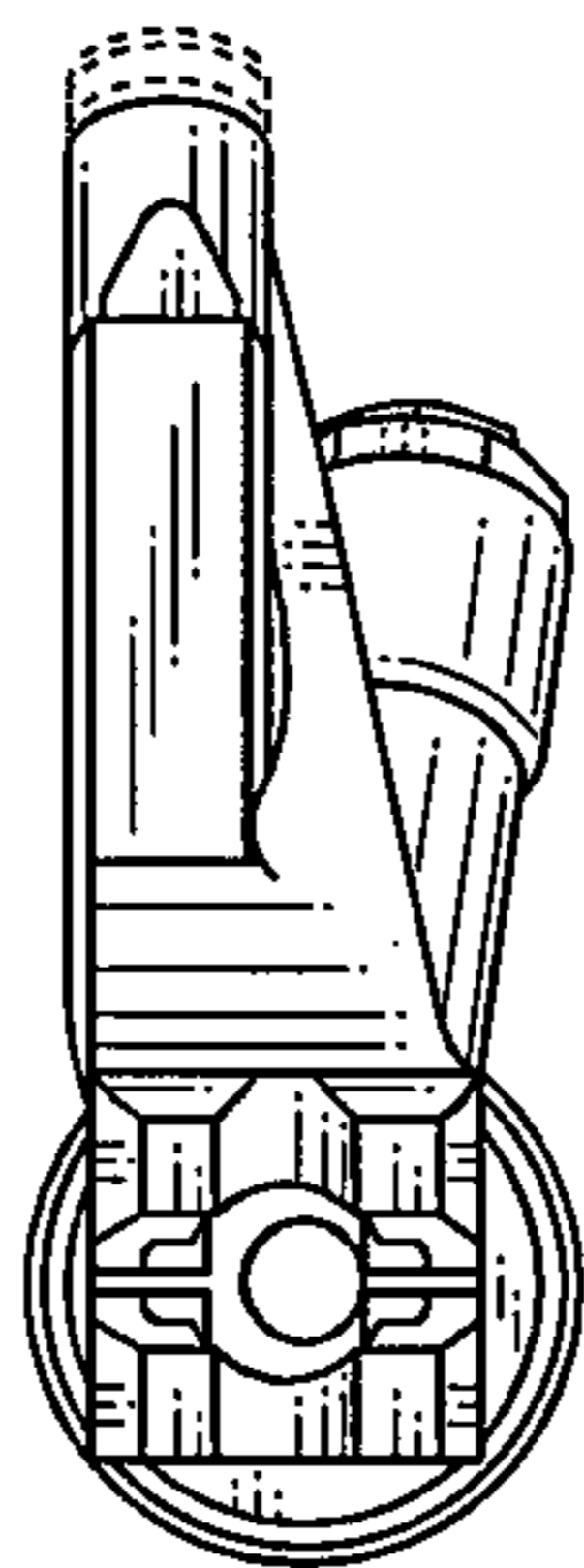


Fig. 9

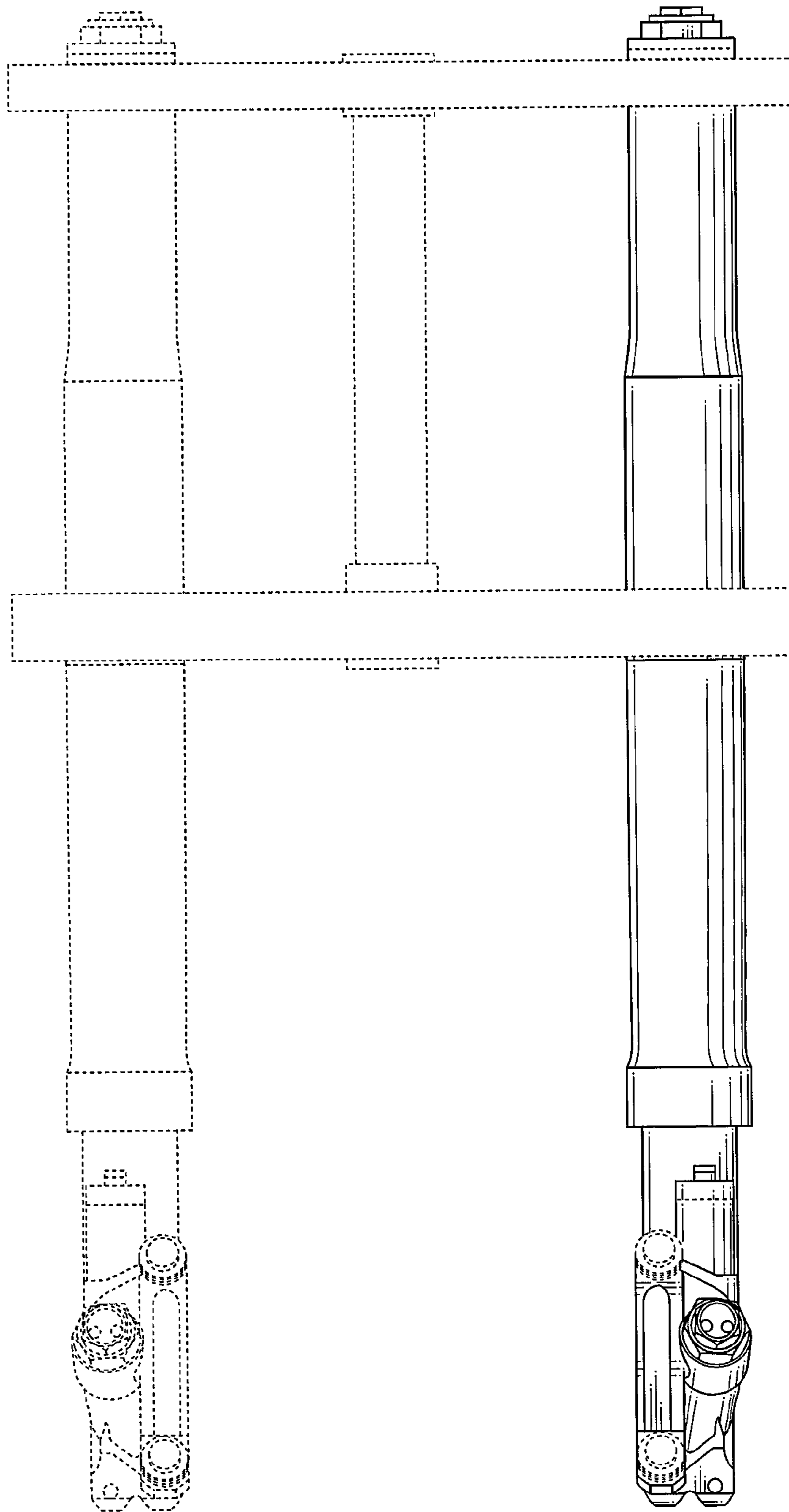


Fig. 10

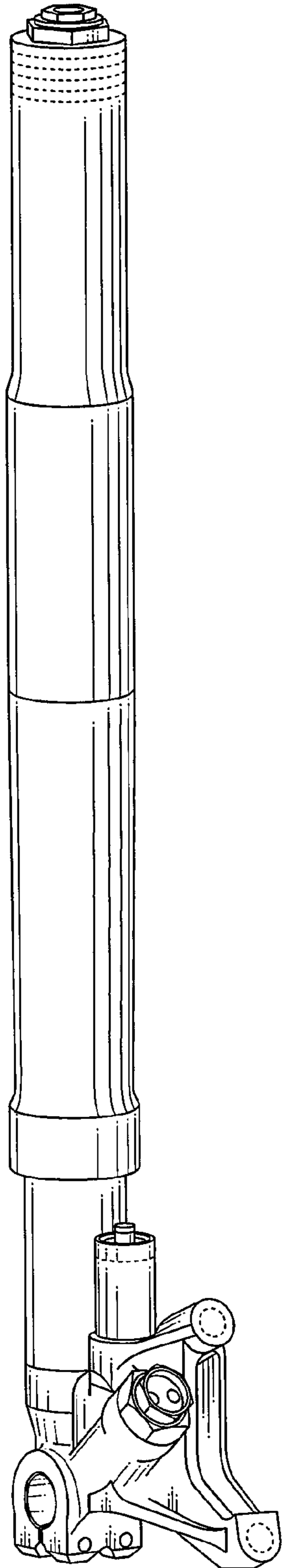


Fig. 11

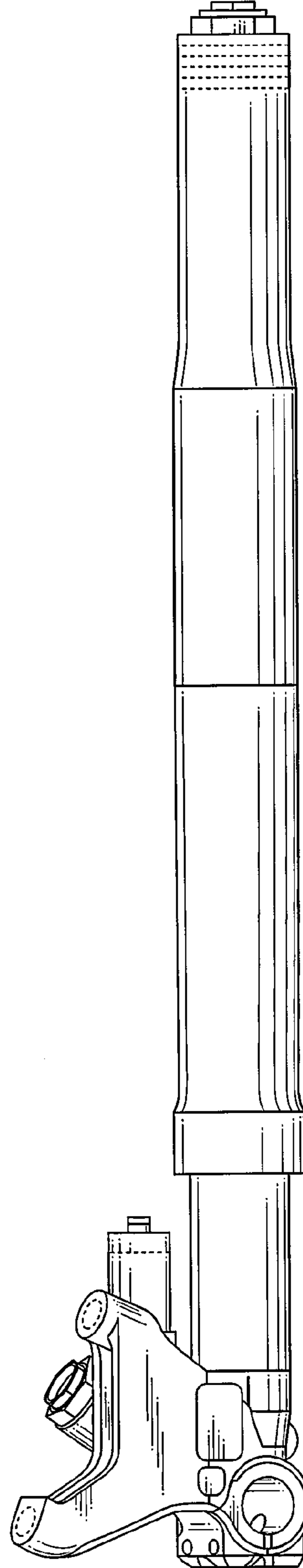


Fig. 12

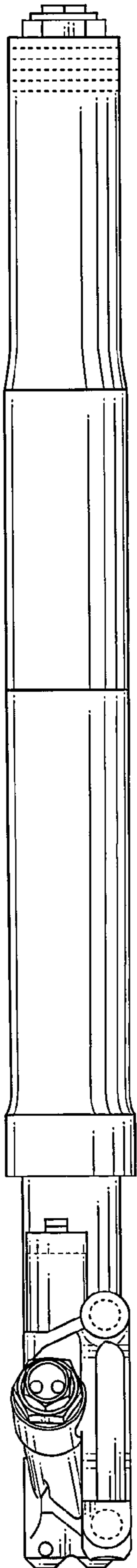


Fig. 13

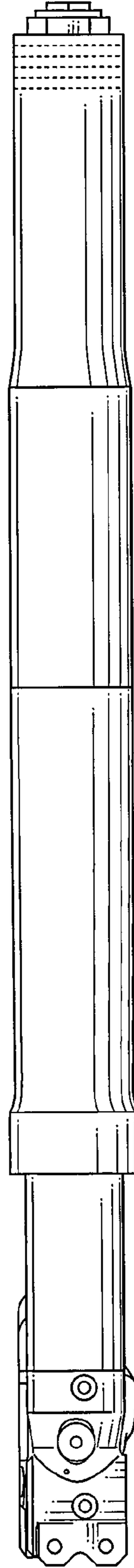


Fig. 14

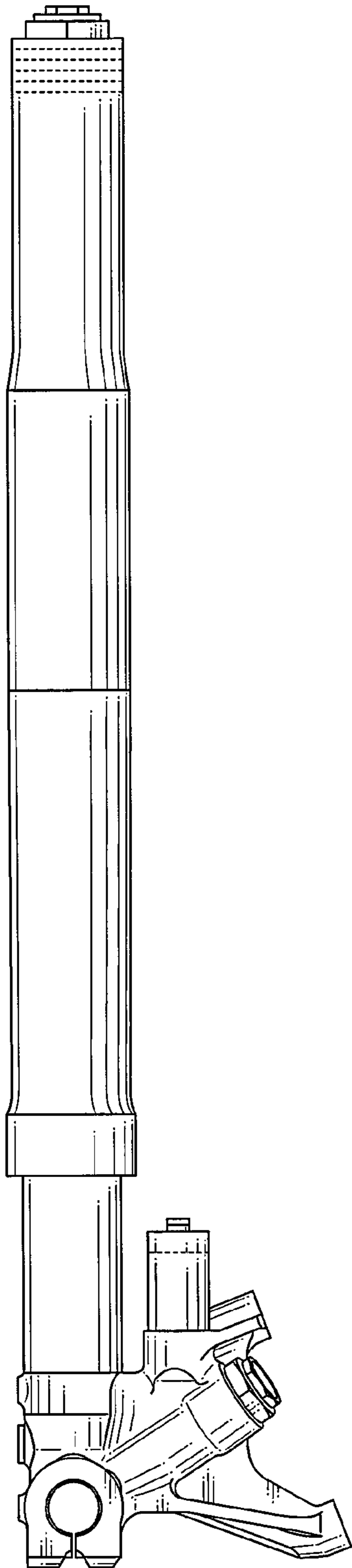


Fig. 15

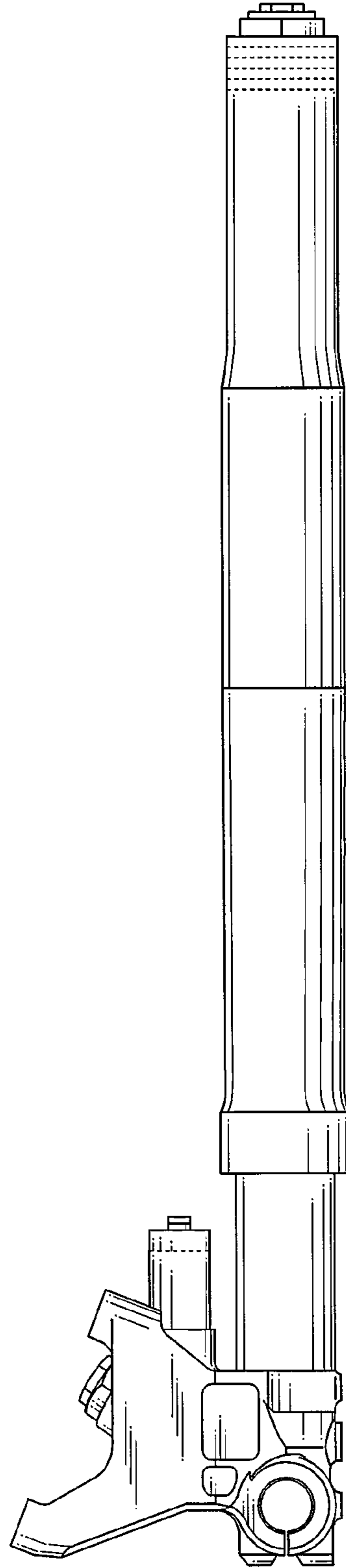


Fig. 16

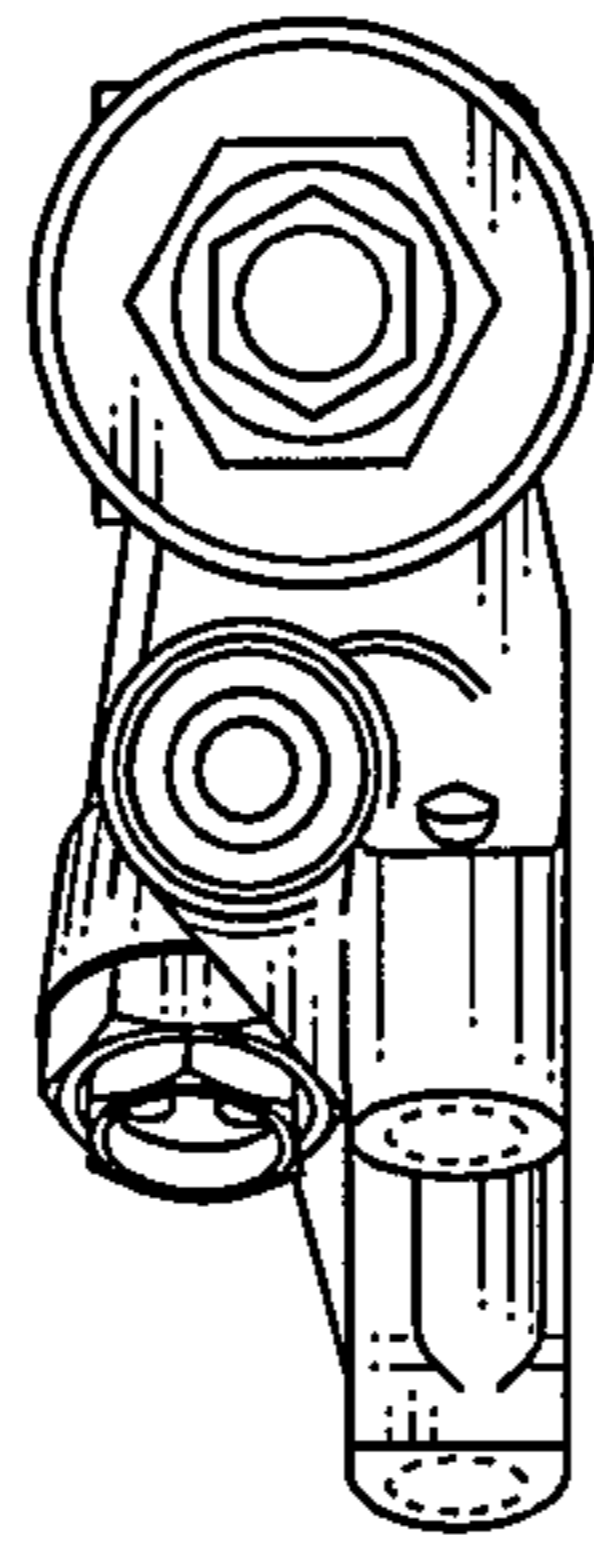


Fig. 17

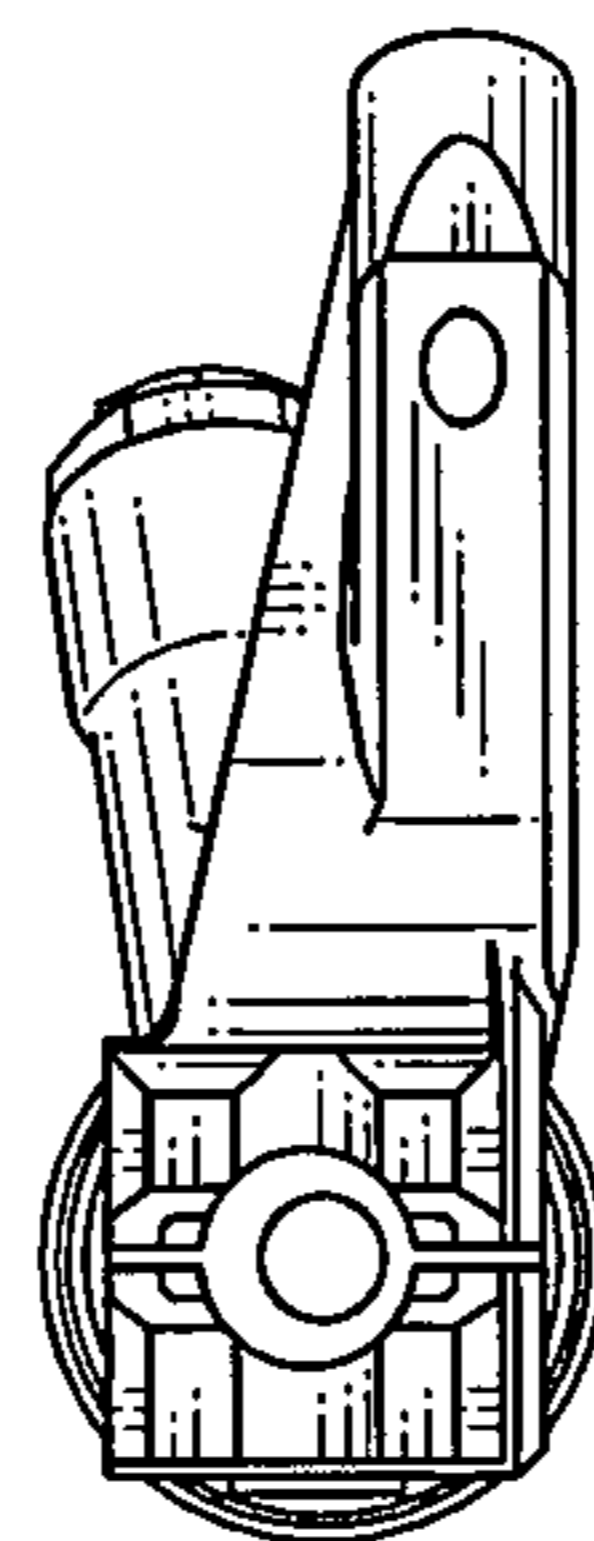


Fig. 18

