

US00D722541S

(12) **United States Design Patent**  
**Conrad et al.**

(10) **Patent No.:** **US D722,541 S**  
(45) **Date of Patent:** **\*\* Feb. 17, 2015**

(54) **DOUBLE STROLLER**

(75) Inventors: **Derek Conrad**, Riverside, CA (US);  
**Jung Tsai Chen**, Tainan (TW); **Denny Tsai**, Chino Hills, CA (US)

(73) Assignee: **Baby Trend Inc.**, Ontario, CA (US)

(\*\*) Term: **14 Years**

(21) Appl. No.: **29/413,372**

(22) Filed: **Feb. 14, 2012**

5,687,984 A	11/1997	Samuel	
5,752,738 A	5/1998	Onishi et al.	
D430,076 S	8/2000	Gehr	
6,189,914 B1	2/2001	Worth et al.	
6,193,263 B1	2/2001	Lin	
6,209,892 B1	4/2001	Schaaf et al.	
6,267,406 B1 *	7/2001	Huang	280/647
D452,192 S	12/2001	Hartenstine et al.	
D455,679 S *	4/2002	Tai et al.	D12/129
6,702,316 B2	3/2004	Hsia	
6,938,906 B1 *	9/2005	Black	280/47.38
D510,549 S	10/2005	Kassai et al.	
6,964,429 B2	11/2005	Suga et al.	
6,981,709 B2 *	1/2006	Saint	280/47.38
7,017,937 B2	3/2006	Williams	

(Continued)

**Related U.S. Application Data**

(63) Continuation-in-part of application No. 29/376,580, filed on Oct. 8, 2010, now Pat. No. Des. 654,405.

(51) **LOC (10) Cl.** ..... **12-12**

(52) **U.S. Cl.**  
USPC ..... **D12/129**

(58) **Field of Classification Search**  
USPC ..... D12/128-133; D21/433; D34/12, 27, D34/30; 280/62, 647-650, 29, 200, 47.38, 280/250.1, 259, 642, 658; 296/65.03, 296/65.04; 297/DIG. 4; 135/65-67, 74  
See application file for complete search history.

(56) **References Cited**

**U.S. PATENT DOCUMENTS**

1,372,538 A	3/1921	Olson	
2,517,785 A	8/1950	Goldstein	
3,998,490 A	12/1976	Lallave	
4,266,807 A	5/1981	Griffin	
4,697,823 A	10/1987	Kassai	
4,846,494 A	7/1989	Kassai	
D344,474 S	2/1994	Stoke	
D345,128 S	3/1994	Kassai	
5,338,096 A *	8/1994	Huang	297/243
D352,923 S	11/1994	Kassai	
5,370,408 A	12/1994	Eagan	
5,624,152 A *	4/1997	Yoshie et al.	297/184.13
5,669,623 A	9/1997	Onishi	

*Primary Examiner* — Ian Simmons

*Assistant Examiner* — Charles Hanson

(74) *Attorney, Agent, or Firm* — Chen Yoshimura LLP

(57) **CLAIM**

The ornamental design for a double stroller, as shown and described.

**DESCRIPTION**

FIG. 1 is a front, top and right side perspective view of a double stroller showing our new design; FIG. 2 is a front elevational view thereof; FIG. 3 is a rear elevational view thereof; FIG. 4 is a right side elevational view thereof; FIG. 5 is a left side elevational view thereof; FIG. 6 is a top plan view thereof; FIG. 7 is a bottom plan view thereof; and, FIG. 8 is a front, top and right side perspective view thereof showing two car seats placed on the double stroller. The broken lines in FIG. 7 illustrate features on the underside of various parts of the double stroller and do not form a part of the claimed design. The broken lines in FIG. 8 showing the car seats are for the purpose of illustrating environmental structure and form no part of the claimed design.

**1 Claim, 8 Drawing Sheets**



(56)

**References Cited**

U.S. PATENT DOCUMENTS

7,284,797 B2	10/2007	Huang	8,205,894 B2 *	6/2012	Li	280/47.38
7,445,230 B2	11/2008	Kassai et al.	8,282,119 B1	10/2012	Caksa	
7,513,512 B2	4/2009	Yoshie et al.	8,328,208 B2	12/2012	Chen	
D593,459 S	6/2009	Liao	8,388,016 B1	3/2013	Powell et al.	
7,614,640 B2 *	11/2009	Dean et al. .... 280/642	8,398,098 B2	3/2013	Li	
7,770,911 B2	8/2010	Dotsey et al.	8,414,012 B2	4/2013	Chen et al.	
8,087,680 B2	1/2012	Dotsey et al.	2004/0075229 A1	4/2004	Huntley	
8,100,429 B2	1/2012	Longenecker et al.	2004/0124611 A1	7/2004	Gong et al.	
8,186,705 B2 *	5/2012	Greger et al. .... 280/643	2005/0127640 A1	6/2005	Worth et al.	
8,186,706 B2	5/2012	Dotsey	2005/0242549 A1 *	11/2005	Longenecker et al. .... 280/642	
			2010/0038886 A1 *	2/2010	Greger et al. .... 280/642	
			2010/0230933 A1	9/2010	Dean et al.	

\* cited by examiner

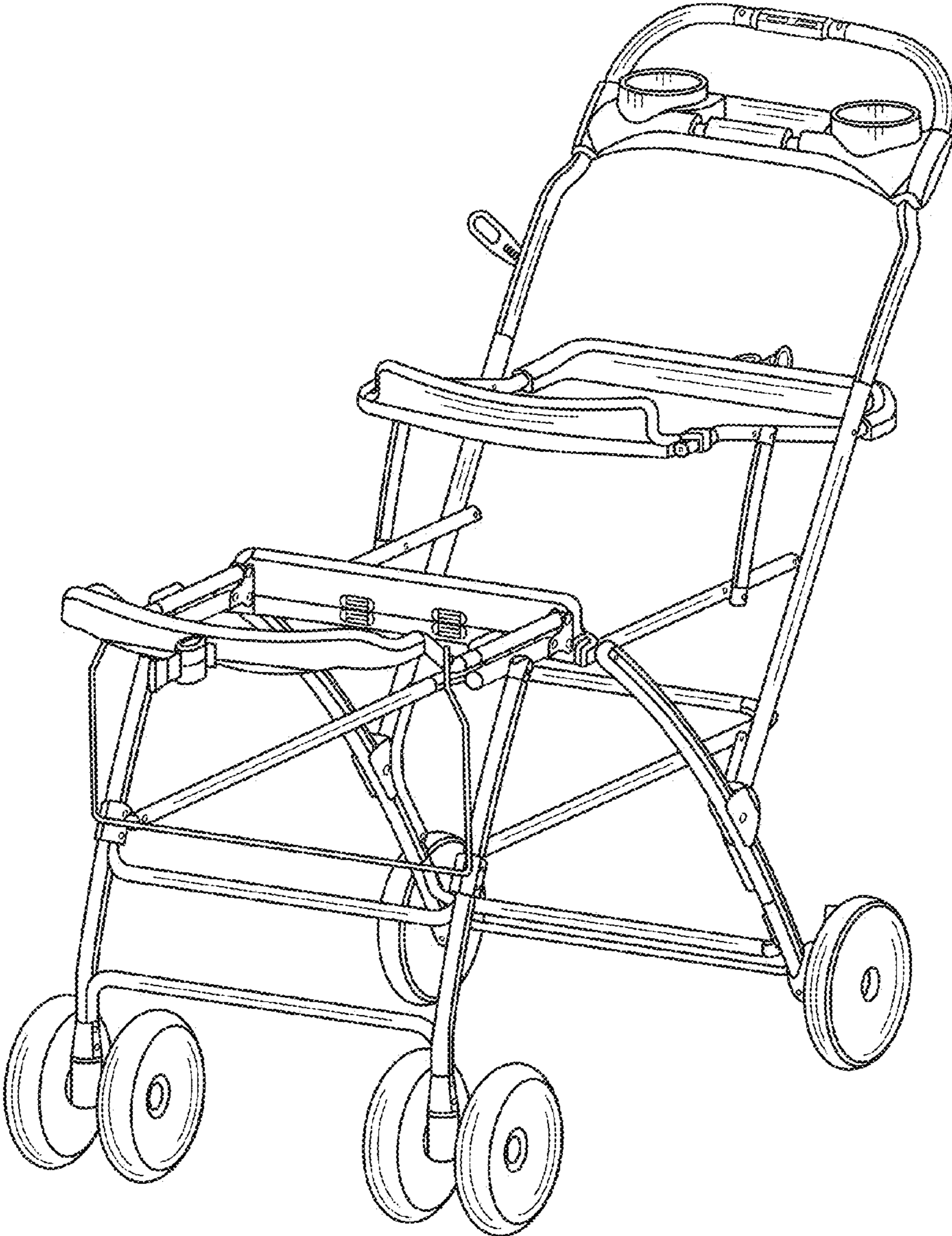


FIG. 1



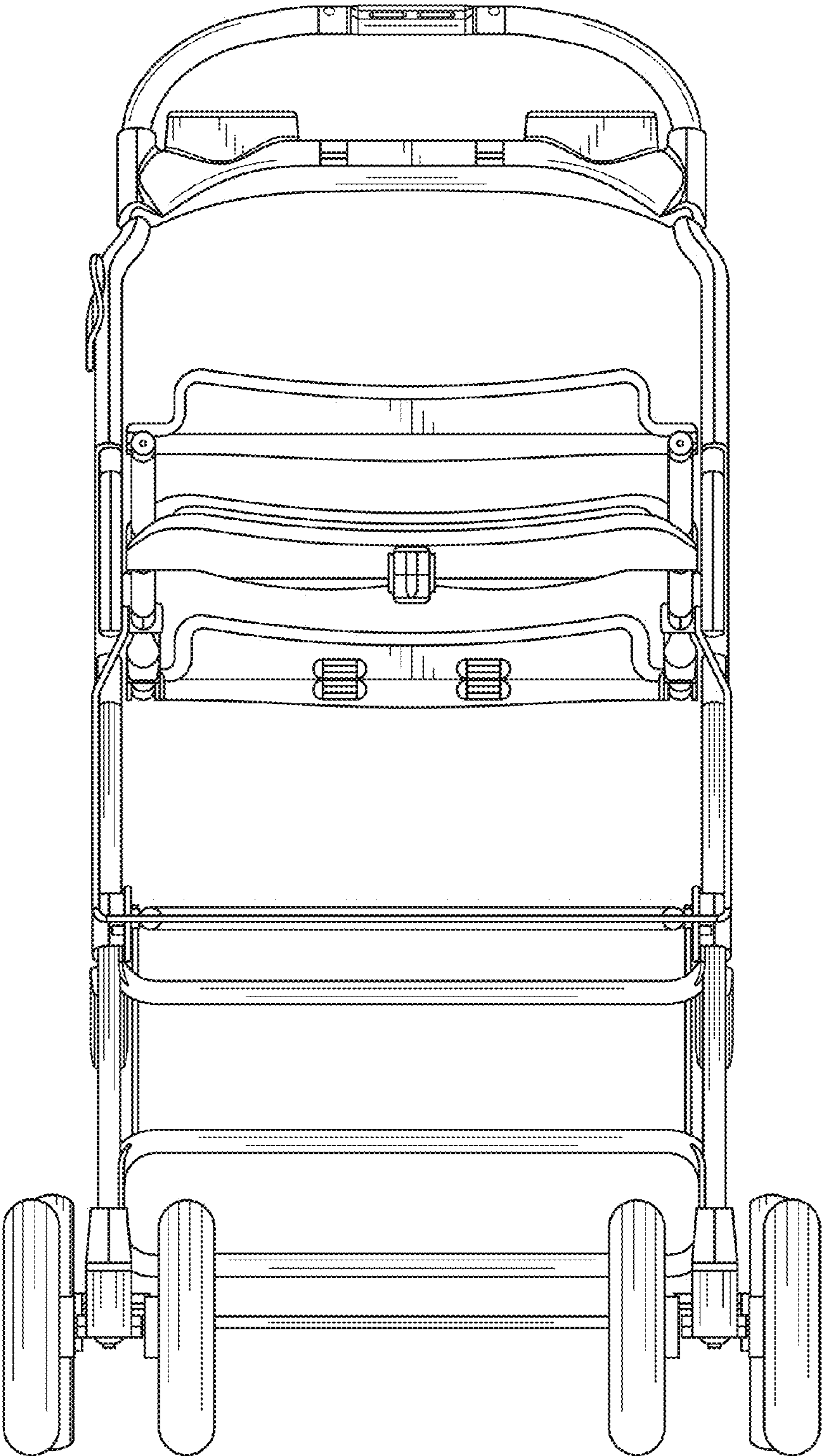


FIG. 2

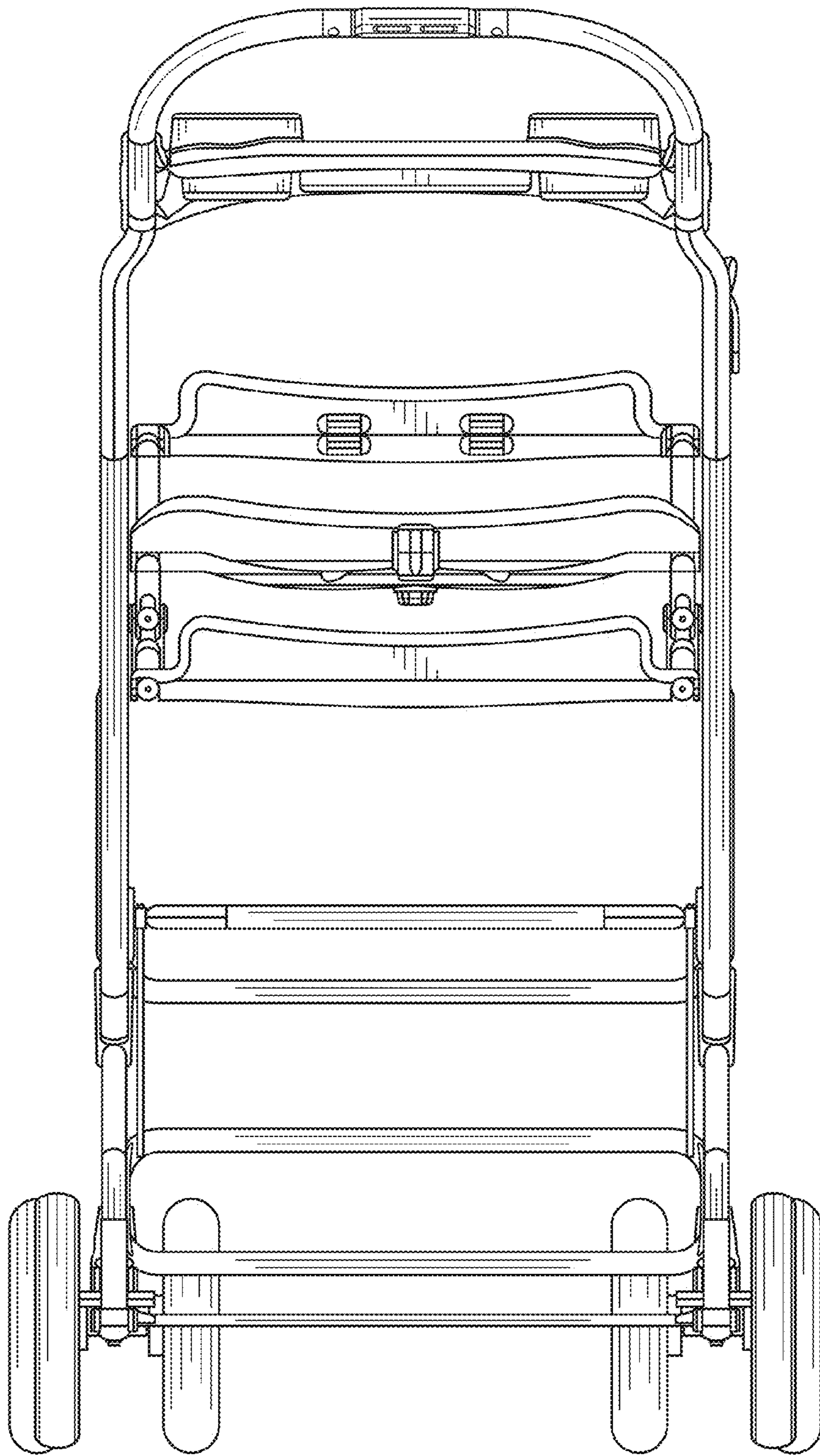


FIG. 3

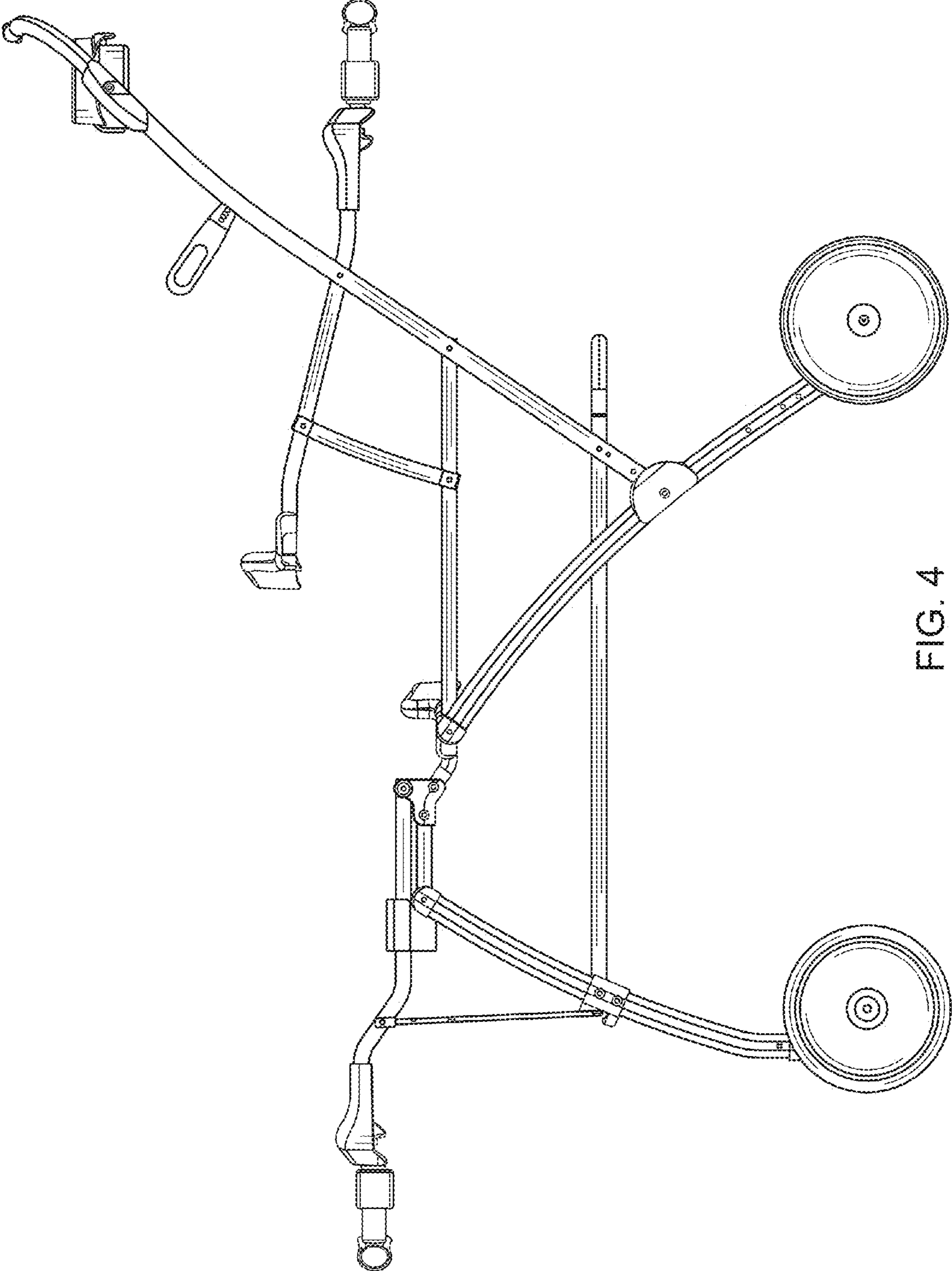


FIG. 4

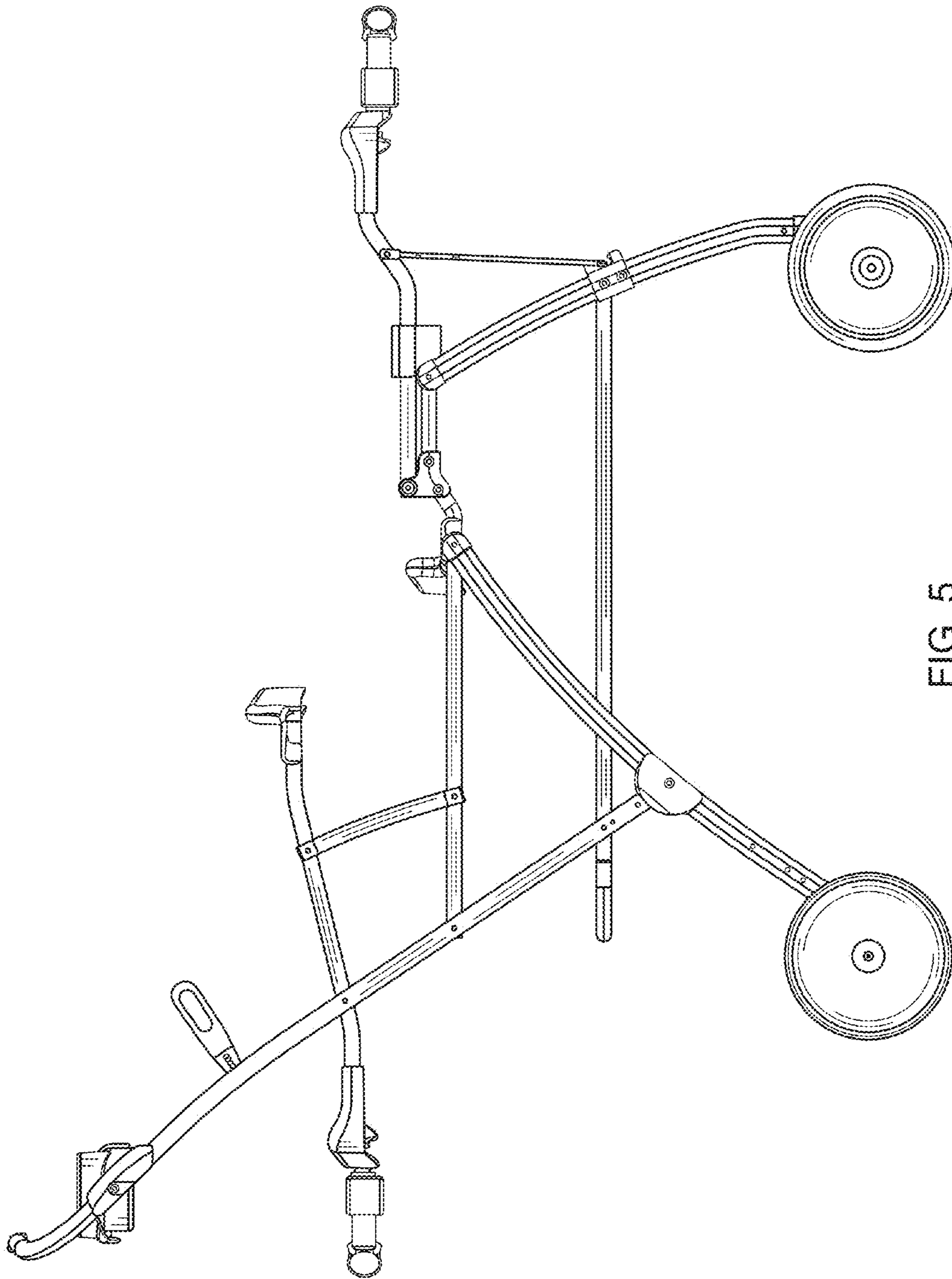


FIG. 5



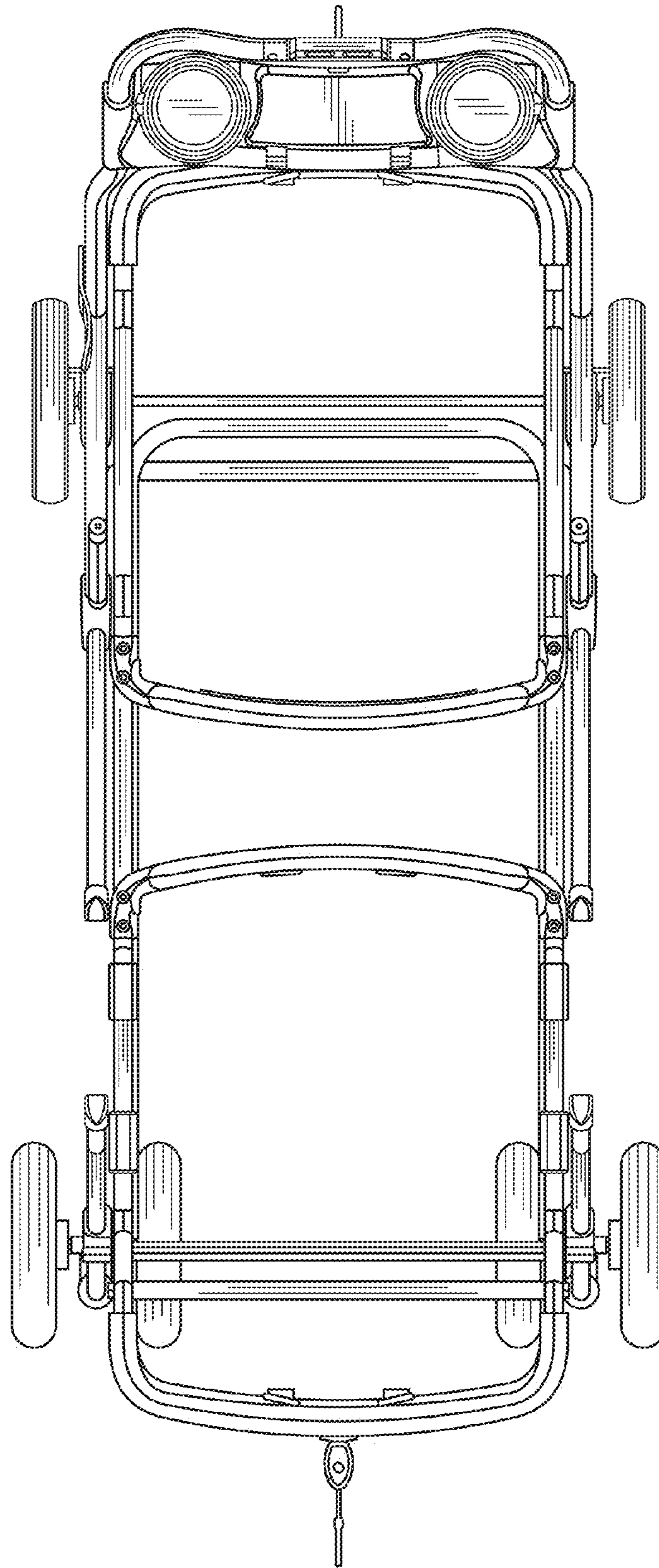


FIG. 6



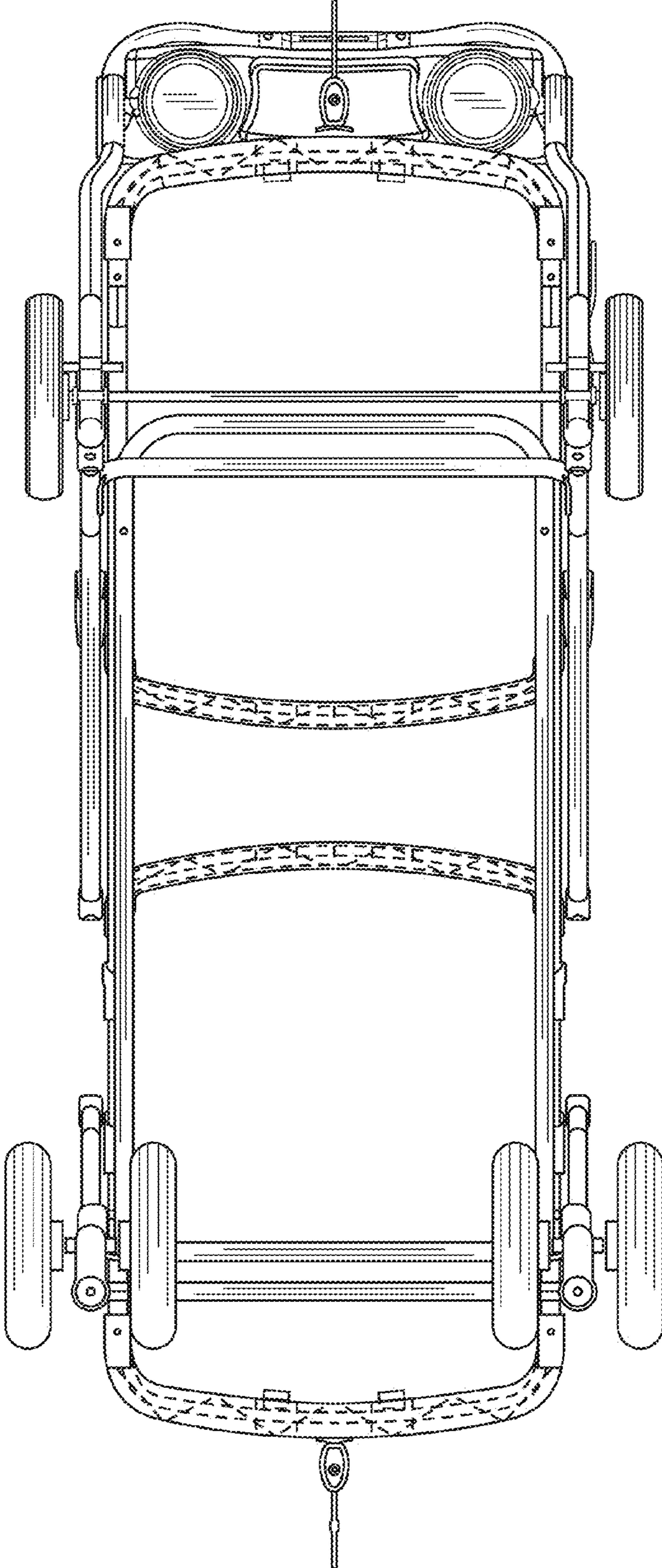


FIG. 7



FIG. 8