



US00D722540S

(12) **United States Design Patent**
Brunner et al.

(10) **Patent No.:** **US D722,540 S**

(45) **Date of Patent:** **** Feb. 17, 2015**

(54) **AUDIO DEVICE MOUNT FOR A BICYCLE**

(71) Applicant: **Beats Electronics, LLC**, Santa Monica, CA (US)

(72) Inventors: **Robert D Brunner**, San Francisco, CA (US); **Eric D Fields**, San Francisco, CA (US); **Stephen Steger**, San Francisco, CA (US)

(73) Assignee: **Beats Electronics, LLC**, Culver City, CA (US)

(**) Term: **14 Years**

(21) Appl. No.: **29/470,773**

(22) Filed: **Oct. 24, 2013**

(51) **LOC (10) Cl.** **12-11**

(52) **U.S. Cl.**
USPC **D12/114**

(58) **Field of Classification Search**
CPC B62J 7/04; B62J 11/00; B62J 9/00;
B62K 27/003; B62K 27/12
USPC D12/114, 407, 119; 224/309, 412, 422,
224/423, 424, 427, 431, 438, 558, 560, 563,
224/417, 153, 430, 142, 439, 328, 400, 413,
224/42.11, 435, 452, 418, 419, 429, 450,
224/288.4, 463, 901.4, 901.8, 457, 448,
224/447, 421, 425, 440, 441, 433, 449, 420,
224/434, 436, 445; D26/29; 424/725;
280/204, 400, 288.4, 292, 491.5, 494,
280/496, 498, 648, 47.26, 483, 492,
280/124.177; 180/206.4, 220; D6/716.4;
294/142; 383/25, 40, 97, 13, 14;
74/551.8; 220/9.1, 9.4
See application file for complete search history.

(56) **References Cited**

U.S. PATENT DOCUMENTS

2,809,053 A * 10/1957 Pletscher 280/281.1
3,616,977 A * 11/1971 Zurmuhlen 224/435

D287,348 S * 12/1986 Larson D12/119
4,658,998 A * 4/1987 Belka 224/457
4,730,758 A * 3/1988 McMurtrey 224/417
D323,805 S * 2/1992 Giard, Jr. D12/178
D388,462 S * 12/1997 Shyu D19/65
6,253,427 B1 * 7/2001 Gerson 24/668
D496,321 S * 9/2004 McMurtrey et al. D12/223
D584,675 S * 1/2009 Crum, Jr. D12/223
8,376,383 B1 * 2/2013 Lee 280/288.4
2008/0214090 A1 * 9/2008 Gut et al. 450/1
2010/0133309 A1 * 6/2010 Lee 224/420
2012/0302137 A1 * 11/2012 Moylan 450/86
2014/0137391 A1 * 5/2014 Beach 29/525.08

* cited by examiner

Primary Examiner — Eric Goodman

Assistant Examiner — Ryan Harvey

(74) *Attorney, Agent, or Firm* — Sterne, Kessler, Goldstein & Fox P.L.L.C.

(57) **CLAIM**

The ornamental design for an audio device mount for a bicycle, as shown and described in the accompanying drawings.

DESCRIPTION

FIG. 1 is a perspective view of an audio device mount for a bicycle in accordance with the present invention;
FIG. 2 is a left side view of the audio device mount for a bicycle of FIG. 1, the right side view being a mirror image thereof;
FIG. 3 is a front view of the audio device mount for a bicycle of FIG. 1;
FIG. 4 is a rear view of the audio device mount for a bicycle of FIG. 1;
FIG. 5 is a top view of the audio device mount for a bicycle of FIG. 1; and,
FIG. 6 is a bottom view of the audio device mount for a bicycle of FIG. 1.
The broken lines illustrate portions of the article that form no part of the claimed design.

1 Claim, 2 Drawing Sheets

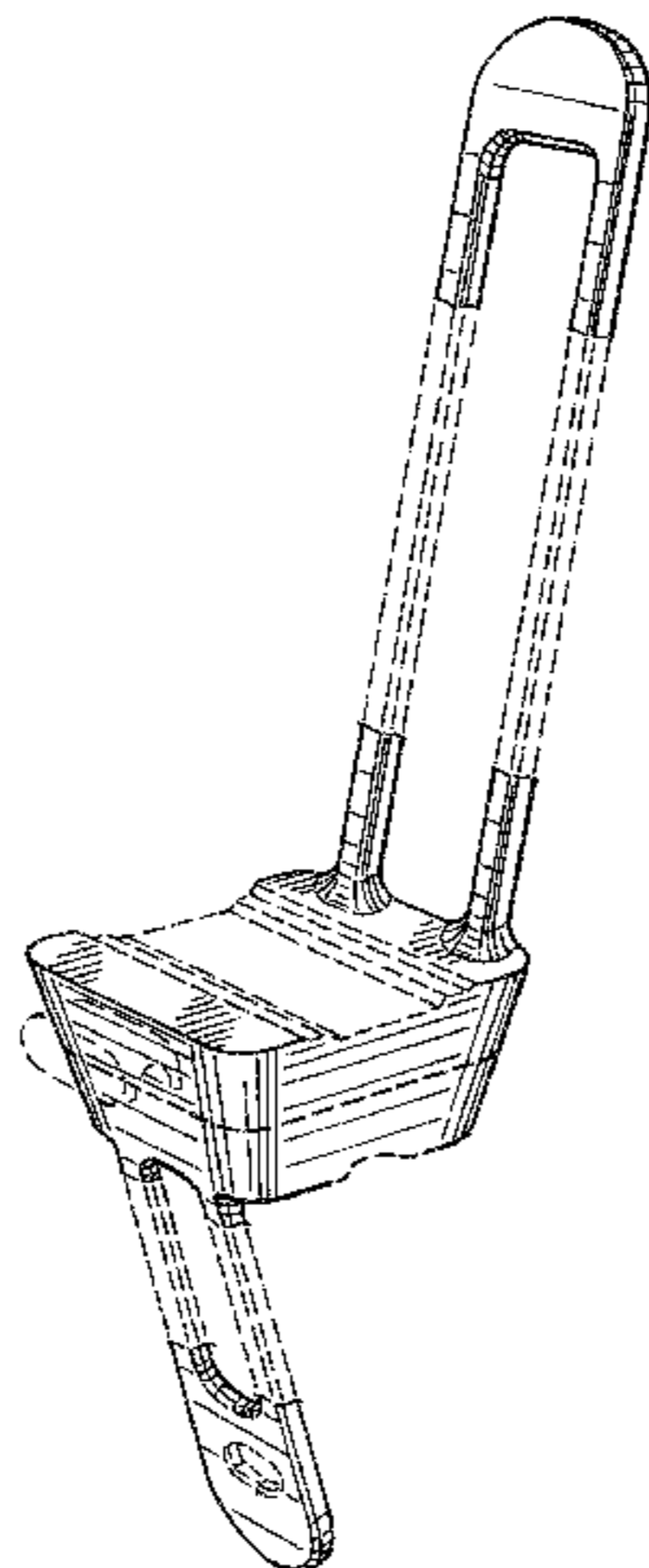


FIG. 1

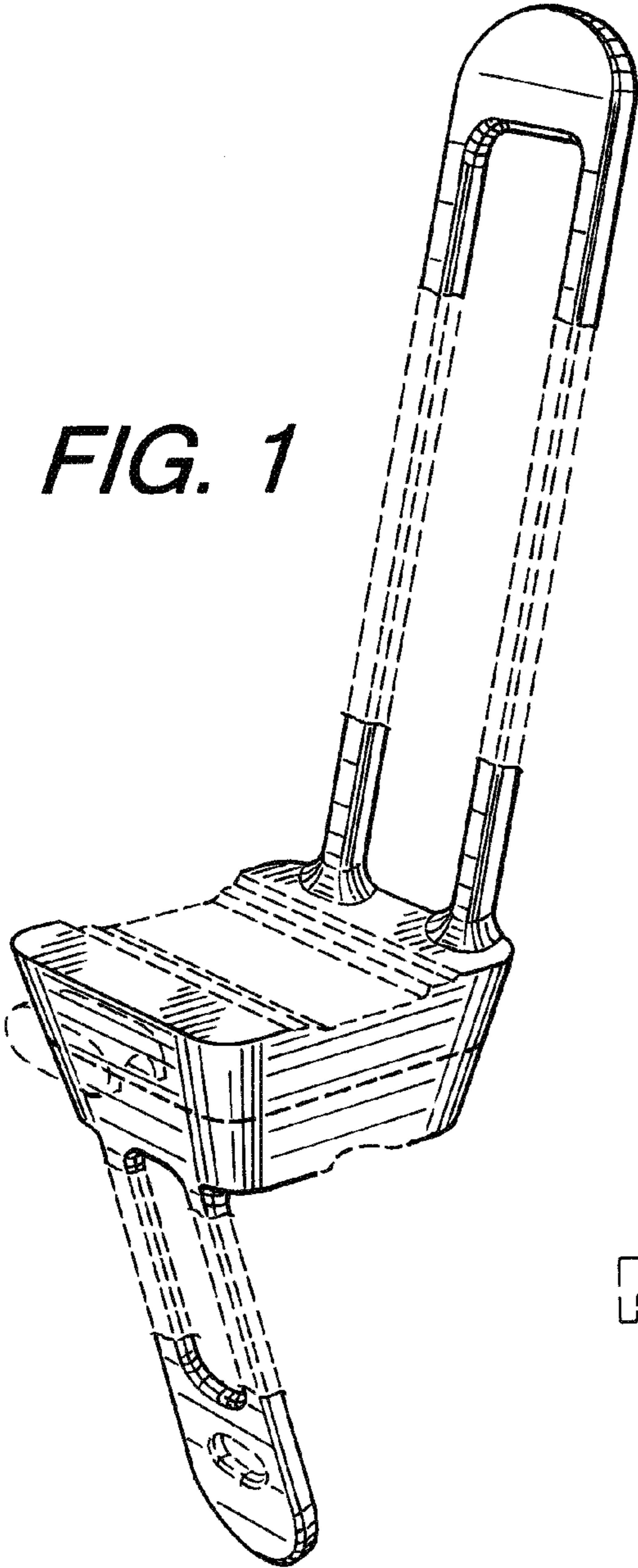


FIG. 2

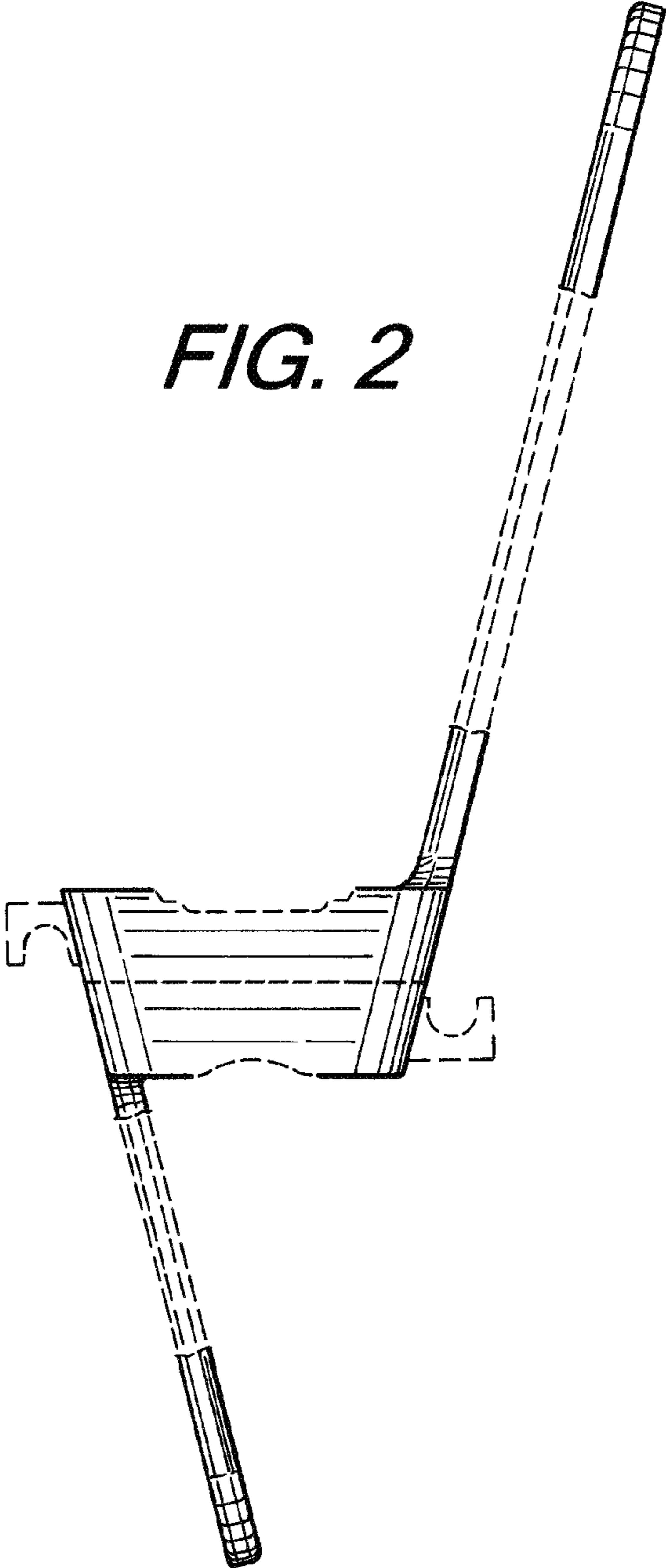


FIG. 3

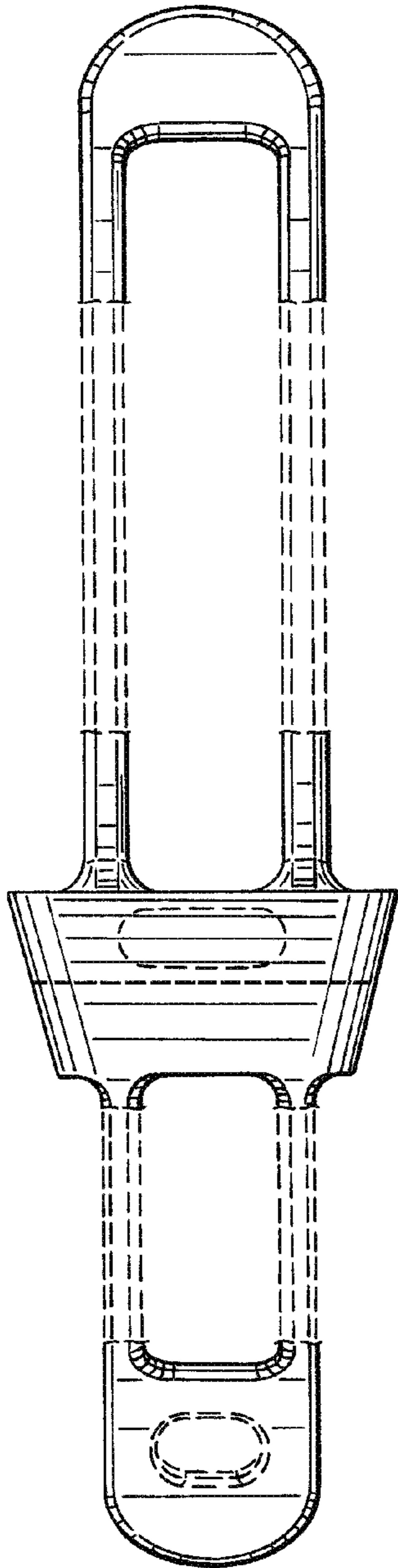


FIG. 4

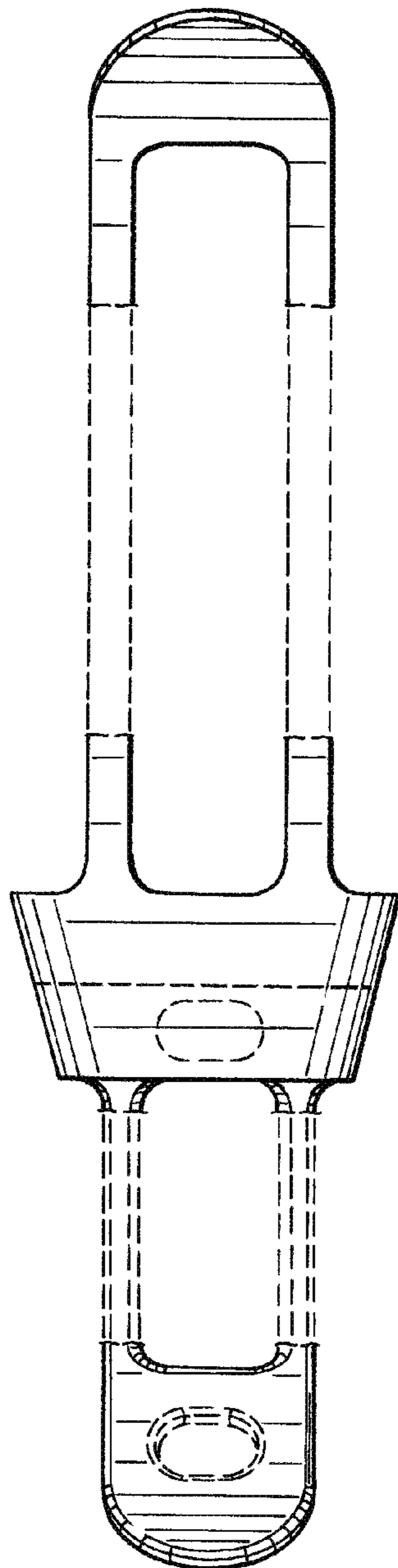


FIG. 5

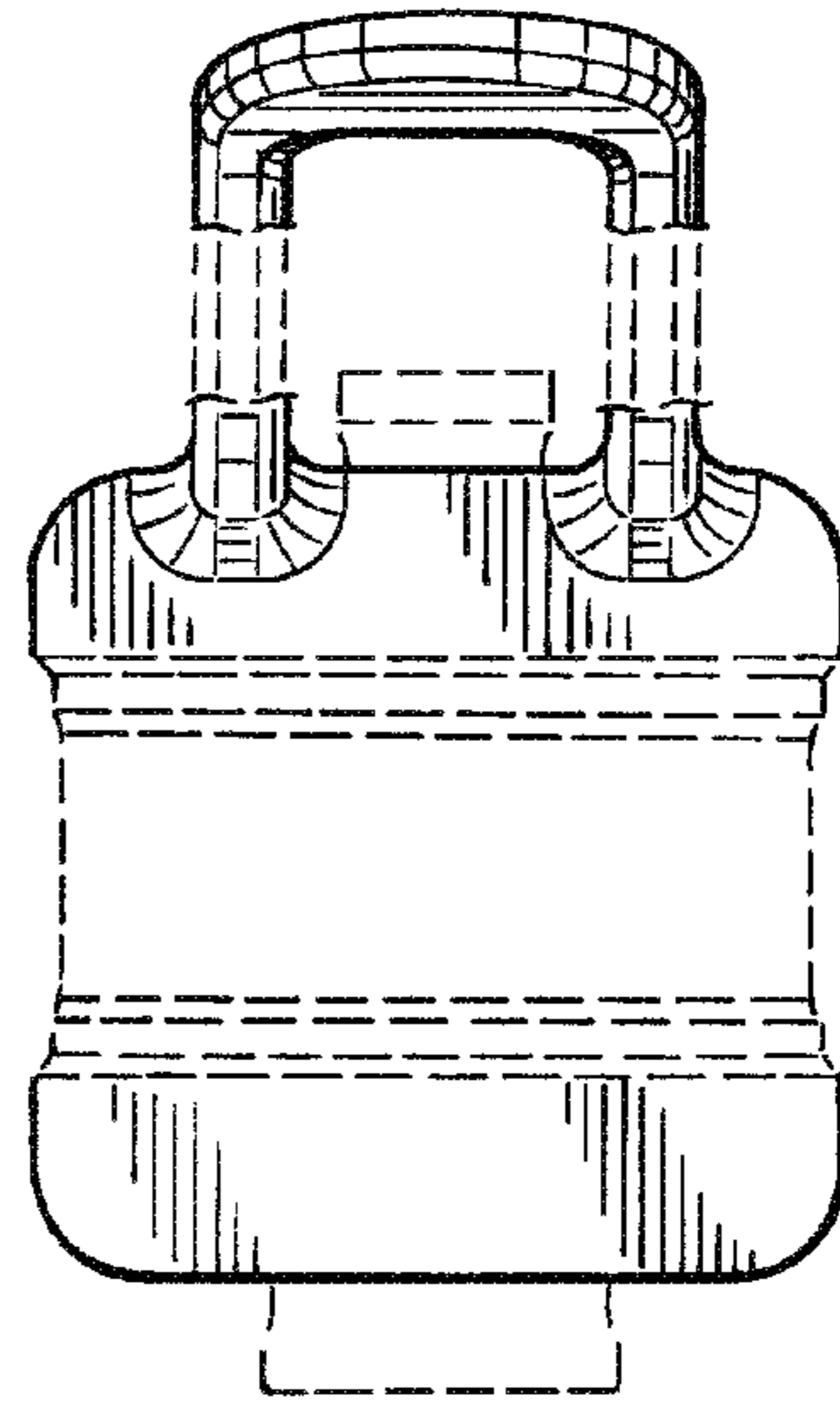


FIG. 6

