



US00D722538S

(12) **United States Design Patent**  
**Song et al.**

(10) **Patent No.:** **US D722,538 S**  
(45) **Date of Patent:** **\*\* Feb. 17, 2015**

- (54) **MOTORCYCLE**
- (71) Applicant: **Indian Motorcycle International, LLC**,  
Medina, MN (US)
- (72) Inventors: **Michael M. Song**, Maple Grove, MN  
(US); **Gregory C. Brew**, Minnetonka,  
MN (US); **Salvador Gonzalez**, Fontana,  
CA (US)
- (73) Assignee: **Indian Motorcycle International, LLC**,  
Medina, MN (US)
- (\*\*) Term: **14 Years**
- (21) Appl. No.: **29/437,022**
- (22) Filed: **Nov. 12, 2012**
- (51) **LOC (10) Cl.** ..... **12-11**
- (52) **U.S. Cl.**  
USPC ..... **D12/110**
- (58) **Field of Classification Search**  
USPC ..... D12/110; 180/219, 220, 225, 229  
See application file for complete search history.

2008/0190683	A1 *	8/2008	Hoeve .....	180/229
2009/0194351	A1 *	8/2009	Murasawa et al. ....	180/219
2010/0307852	A1 *	12/2010	Aramayo et al. ....	180/219

**OTHER PUBLICATIONS**

Indian motorcycle on p. 1 of 2 from "Polaris purchases Indian Motorcycles, will compliment Victory brand", by Chris Shunk, posted Apr. 20, 2011. [Retrieved on Apr. 15, 2013]. Retrieved from the Internet <URL: [http://www.autoblog.com/2011/04/20/polaris-purchases-indian-motorcycles-will-complem . . .](http://www.autoblog.com/2011/04/20/polaris-purchases-indian-motorcycles-will-complem...)>.\*

Photos of the Chief Vintage Indian Motorcycle, 1 page, copyright 2013, available at <http://www.indianmotorcycle.com/en-us/chief/chief-vintage-le/pages/photos.aspx>, accessed on Aug. 23, 2013.

\* cited by examiner

*Primary Examiner* — Philip S Hyder

*Assistant Examiner* — Darlington Ly

(74) *Attorney, Agent, or Firm* — Faegre Baker Daniels LLP

(57) **CLAIM**

The ornamental design for a motorcycle, as shown and described.

**DESCRIPTION**

FIG. 1 is a left front perspective view of a touring version of the motorcycle;

FIG. 2 is a right rear perspective view of the motorcycle of FIG. 1;

FIG. 3 is a left side view of the motorcycle of FIG. 1;

FIG. 4 is a right side view of the motorcycle of FIG. 1;

FIG. 5 is a top view of the motorcycle of FIG. 1;

FIG. 6 is a front view of the motorcycle of FIG. 1; and,

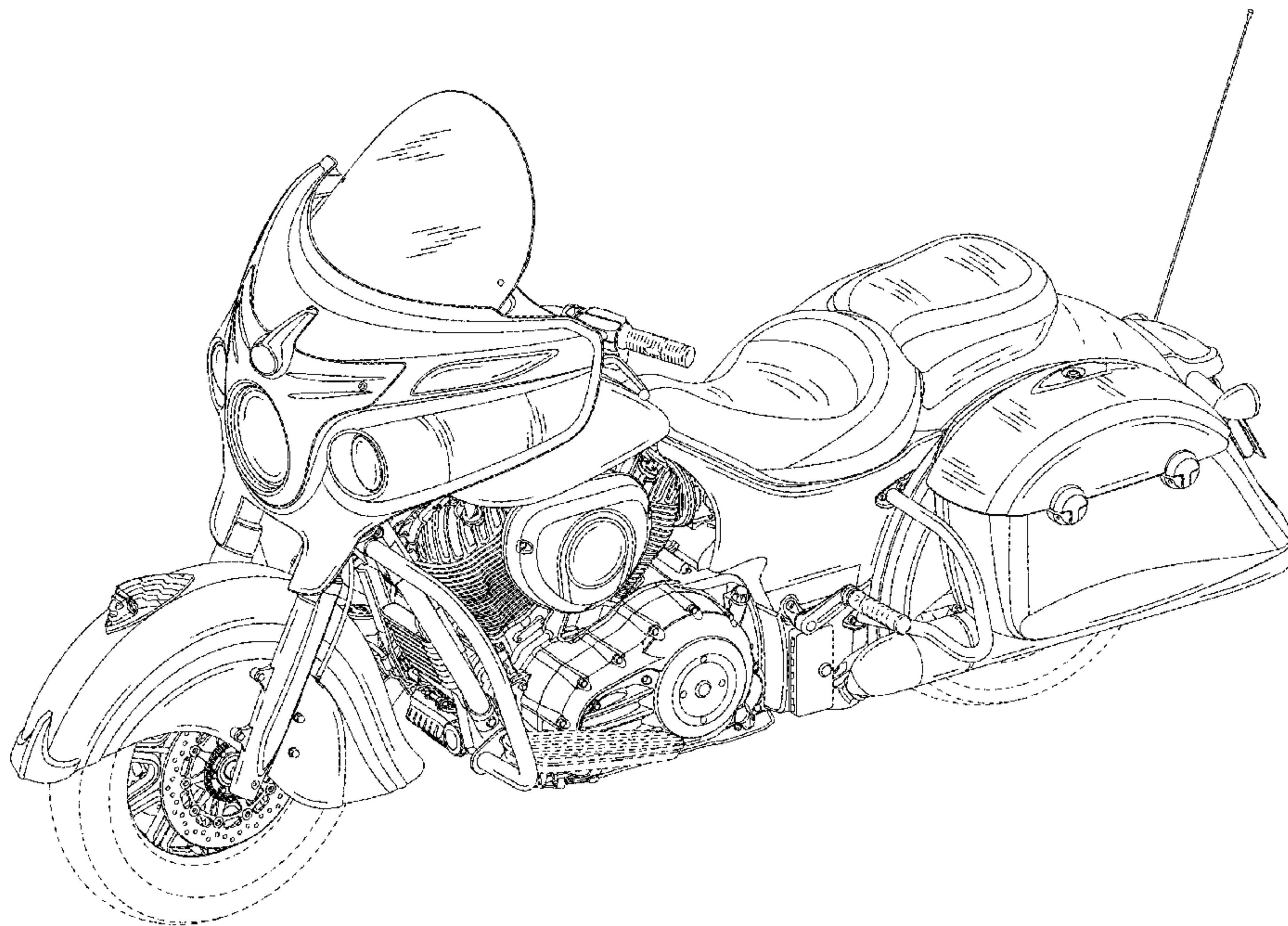
FIG. 7 is a rear view of the motorcycle of FIG. 1.

**1 Claim, 6 Drawing Sheets**

(56) **References Cited**

**U.S. PATENT DOCUMENTS**

D388,366	S *	12/1997	Nishino .....	D12/110
D416,215	S *	11/1999	Hanlon et al. ....	D12/110
D605,088	S *	12/2009	Tanaka et al. ....	D12/110
D624,853	S *	10/2010	Song et al. ....	D12/110
D656,068	S *	3/2012	Song et al. ....	D12/110
8,272,460	B2 *	9/2012	Song et al. ....	180/6.24
2005/0257978	A1 *	11/2005	Sigfrid .....	180/219
2007/0240925	A1 *	10/2007	Kobayashi .....	180/219
2008/0169134	A1 *	7/2008	Tomolillo et al. ....	180/6.24



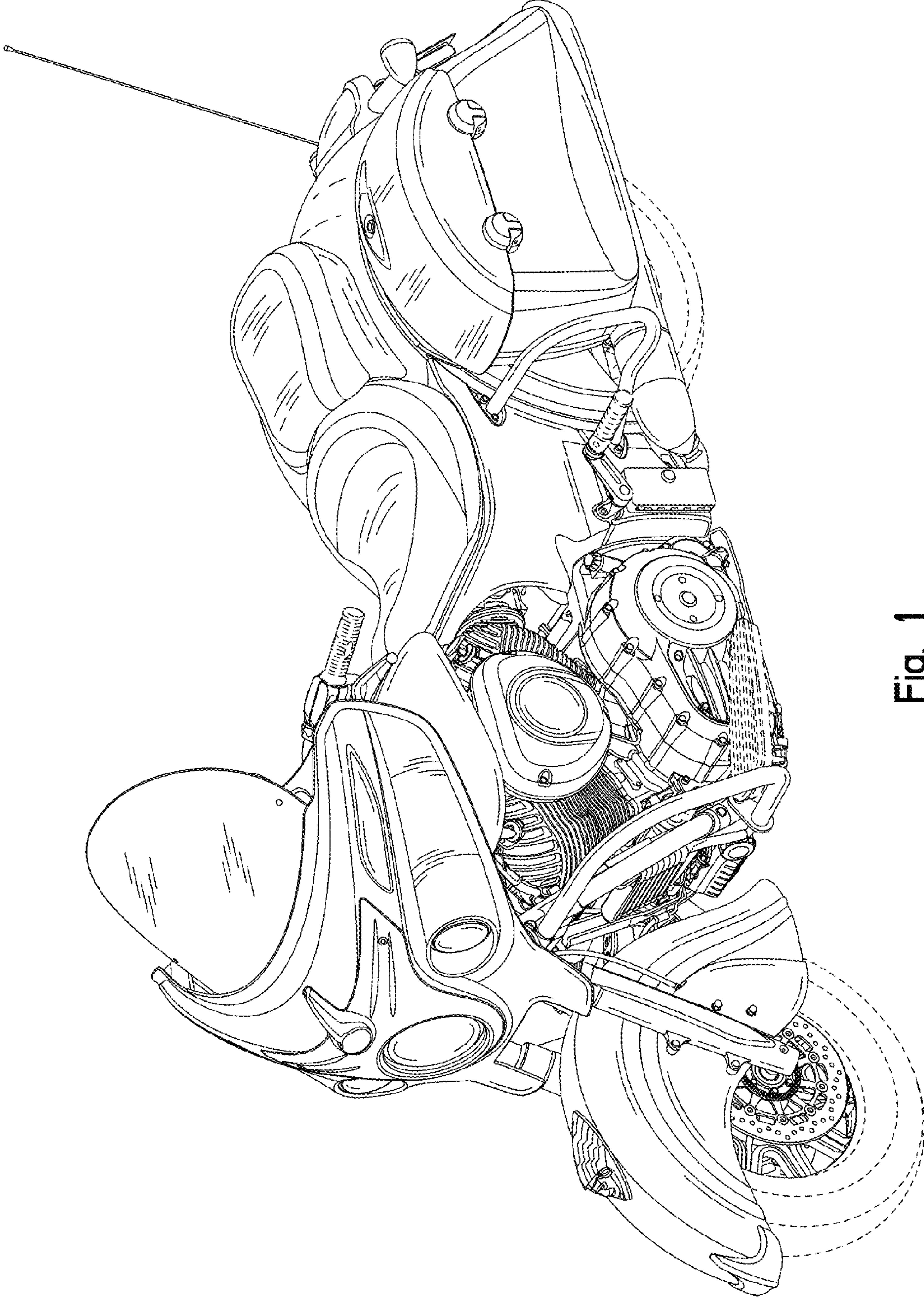


Fig. 1



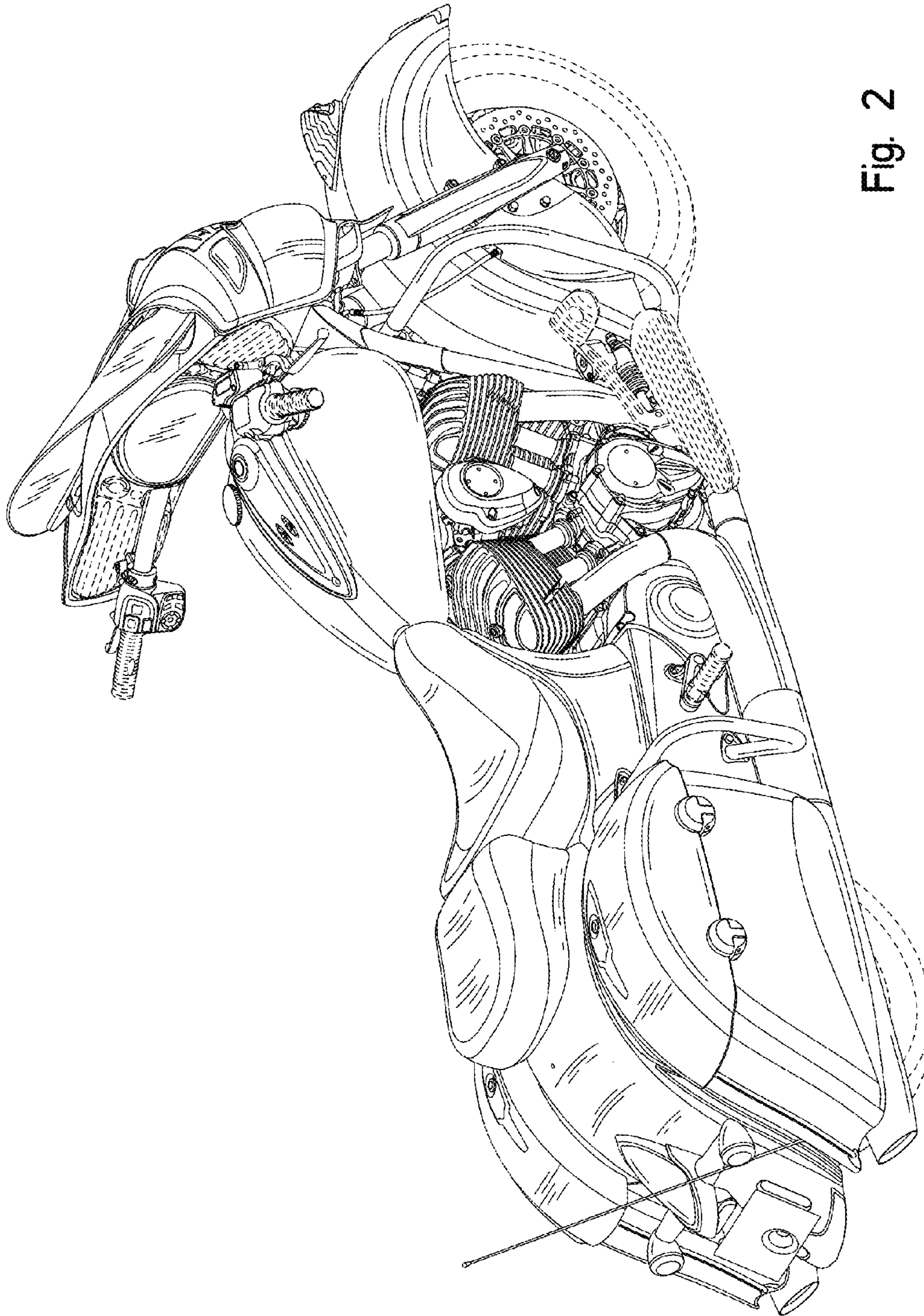


Fig. 2

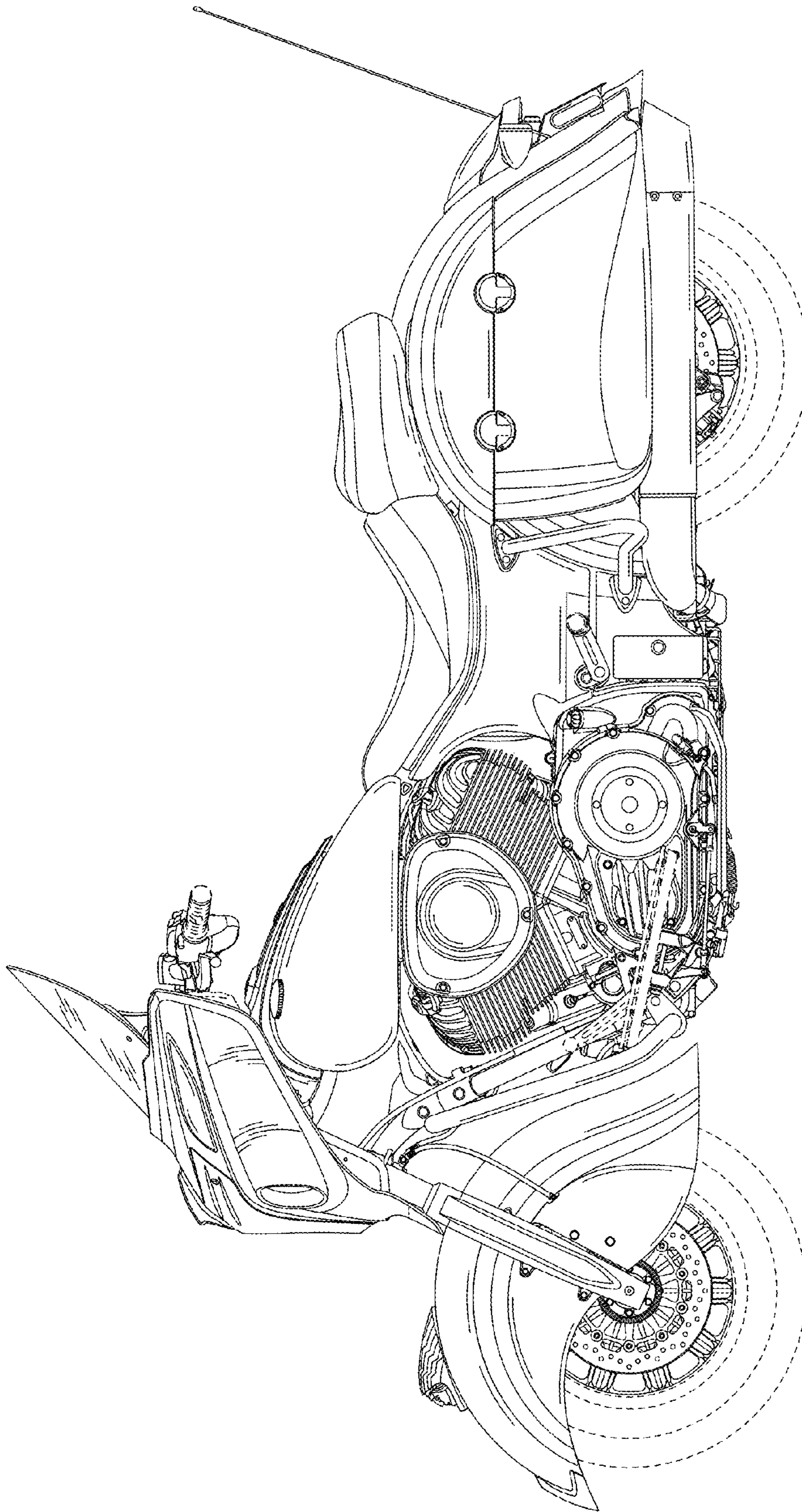


Fig. 3



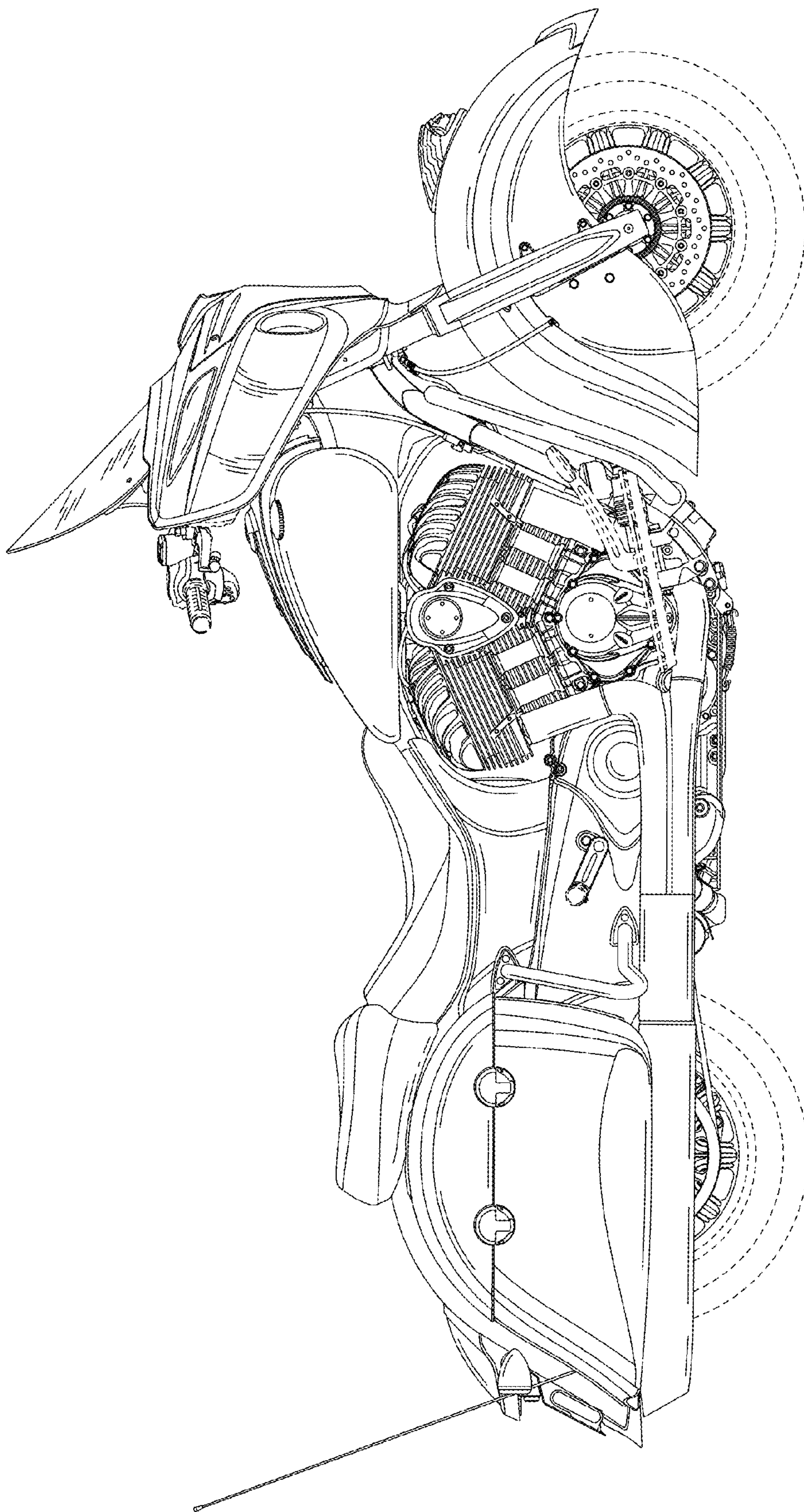


Fig. 4

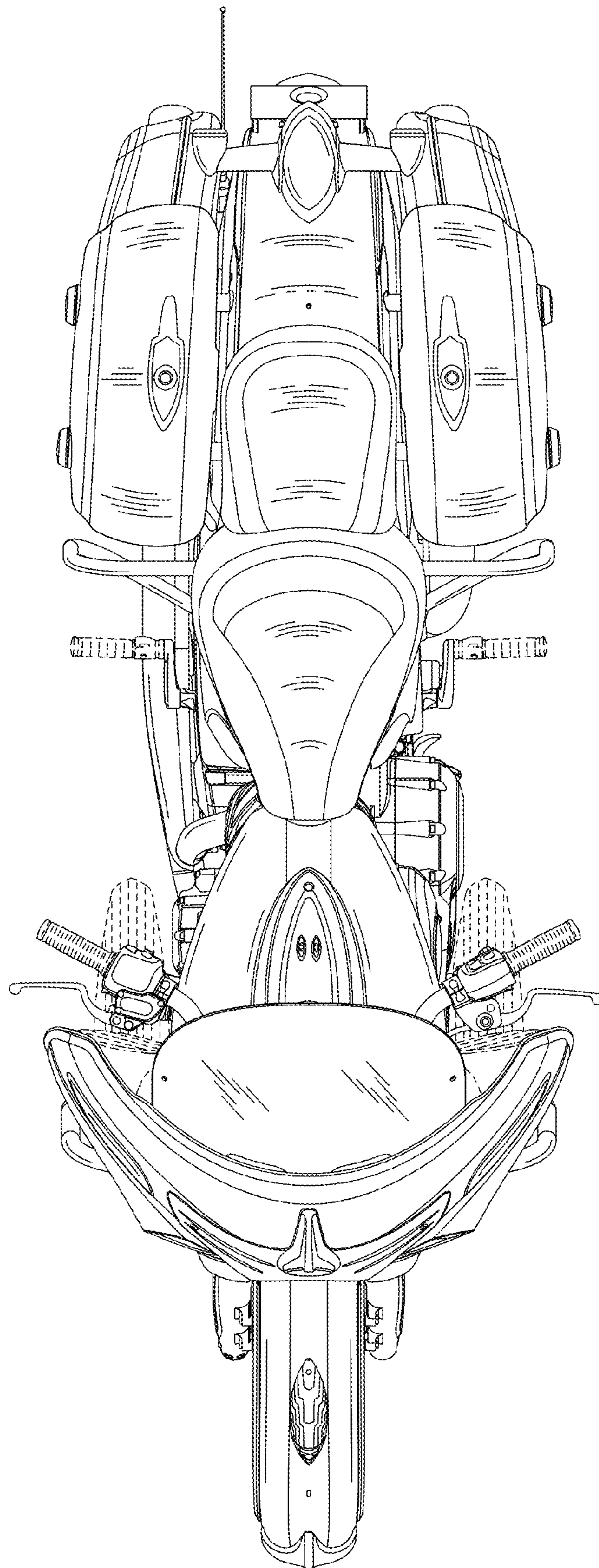


Fig. 5



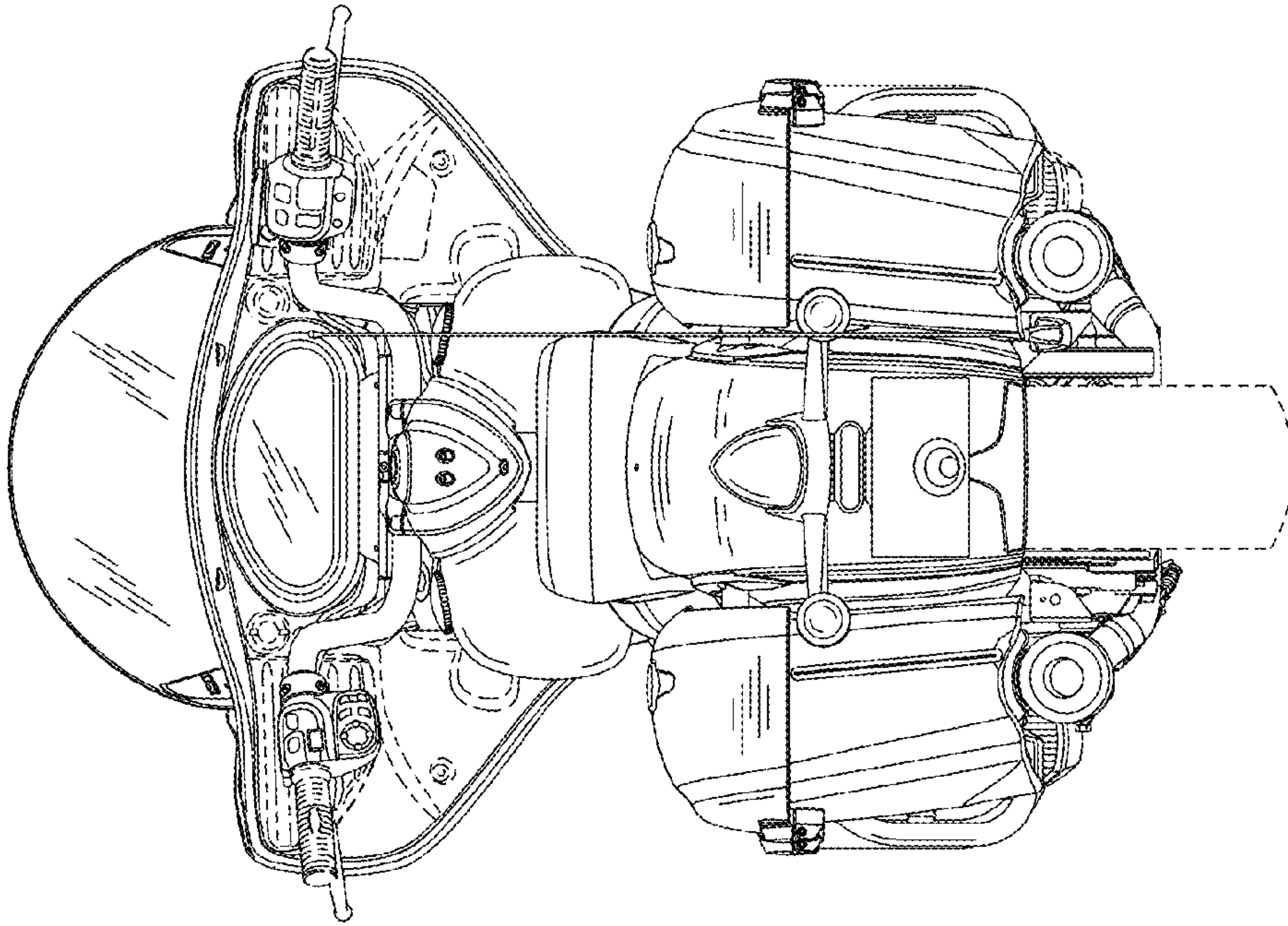


Fig. 7

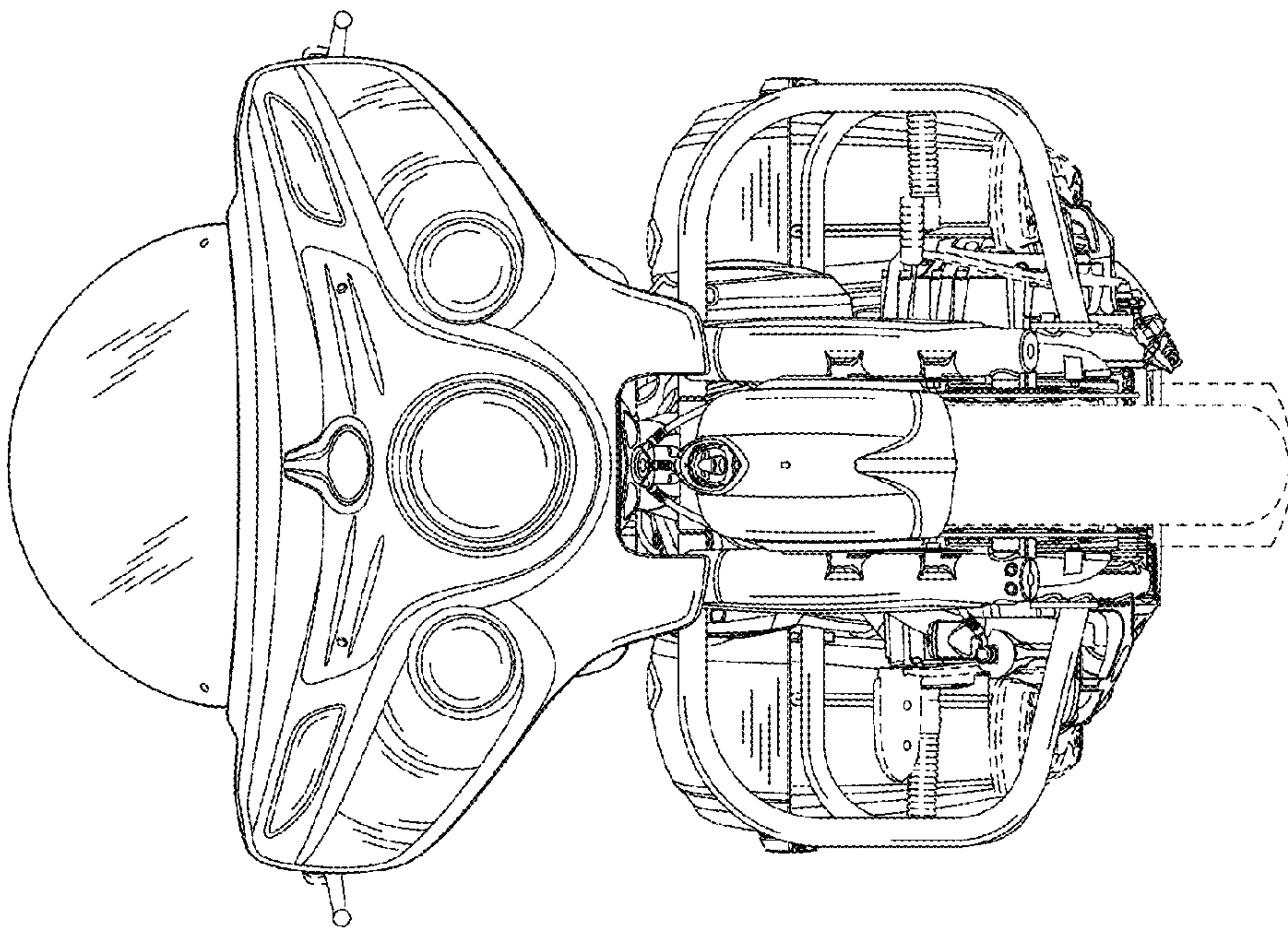


Fig. 6