

US00D722537S

(12) **United States Design Patent**
Hsieh

(10) **Patent No.:** **US D722,537 S**

(45) **Date of Patent:** **** Feb. 17, 2015**

(54) **ALL TERRAIN VEHICLE**

(71) Applicant: **Kwang Yang Motor Co., Ltd.,**
Kaohsiung (TW)

(72) Inventor: **Tzu-Hao Hsieh, Kaohsiung (TW)**

(73) Assignee: **Kwang Yang Motor Co., Ltd.,**
Kaohsiung (TW)

(**) Term: **14 Years**

(21) Appl. No.: **29/469,273**

(22) Filed: **Oct. 9, 2013**

(51) **LOC (10) Cl.** **12-11**

(52) **U.S. Cl.**
USPC **D12/107**

(58) **Field of Classification Search**
USPC D12/107, 181; D6/354; 180/233, 248,
180/311, 312, 90.6, 247, 309, 89.1, 908;
297/195.13, 195.1, 195.12; 296/37.1,
296/64, 63; 224/275, 426, 488, 572;
280/124.135, 93.502, 781

See application file for complete search history.

(56) **References Cited**

U.S. PATENT DOCUMENTS

D425,452 S *	5/2000	Mon et al.	D12/107
D485,212 S *	1/2004	Wu	D12/107
D485,213 S *	1/2004	Wu	D12/107
D508,667 S *	8/2005	Sugimoto	D12/184
D511,318 S *	11/2005	Sugimoto	D12/107
D515,978 S *	2/2006	Luh	D12/107
D516,960 S *	3/2006	Luh	D12/107
D517,450 S *	3/2006	Wu	D12/107
D522,410 S *	6/2006	Lin	D12/107
D529,840 S *	10/2006	Sugawara	D12/107

D531,550 S *	11/2006	Hirano	D12/107
D534,100 S *	12/2006	Kinoshita	D12/107
D549,135 S *	8/2007	Murakami	D12/107
D580,301 S *	11/2008	Schroeder et al.	D12/107
D593,454 S *	6/2009	Sanschagrin et al.	D12/107
D594,388 S *	6/2009	Sanschagrin et al.	D12/107
D596,534 S *	7/2009	Tashiro	D12/107
D601,060 S *	9/2009	Kinoshita	D12/107
D601,464 S *	10/2009	Tashiro	D12/114
D602,812 S *	10/2009	Kinoshita	D12/107
D624,852 S *	10/2010	Tandrup et al.	D12/107
D636,707 S *	4/2011	Bracy et al.	D12/107
D670,616 S *	11/2012	Hobo	D12/107
D685,680 S *	7/2013	Takeda	D12/107
D685,681 S *	7/2013	Takeda	D12/107
2008/0277184 A1 *	11/2008	Marleau	180/312

* cited by examiner

Primary Examiner — Eric Goodman

Assistant Examiner — Ryan Harvey

(74) *Attorney, Agent, or Firm* — Leong C. Lei

(57) **CLAIM**

The ornamental design for an all terrain vehicle, as shown and described.

DESCRIPTION

FIG. 1 is a perspective view of an all terrain vehicle showing my new design;

FIG. 2 is a front elevational view thereof;

FIG. 3 is a rear elevational view thereof;

FIG. 4 is a left side elevational view thereof;

FIG. 5 is a right side elevational view thereof;

FIG. 6 is a top plan view thereof; and,

FIG. 7 is a bottom plan view thereof.

The broken lines illustrate portions of the article that form no part of the claimed design.

1 Claim, 7 Drawing Sheets

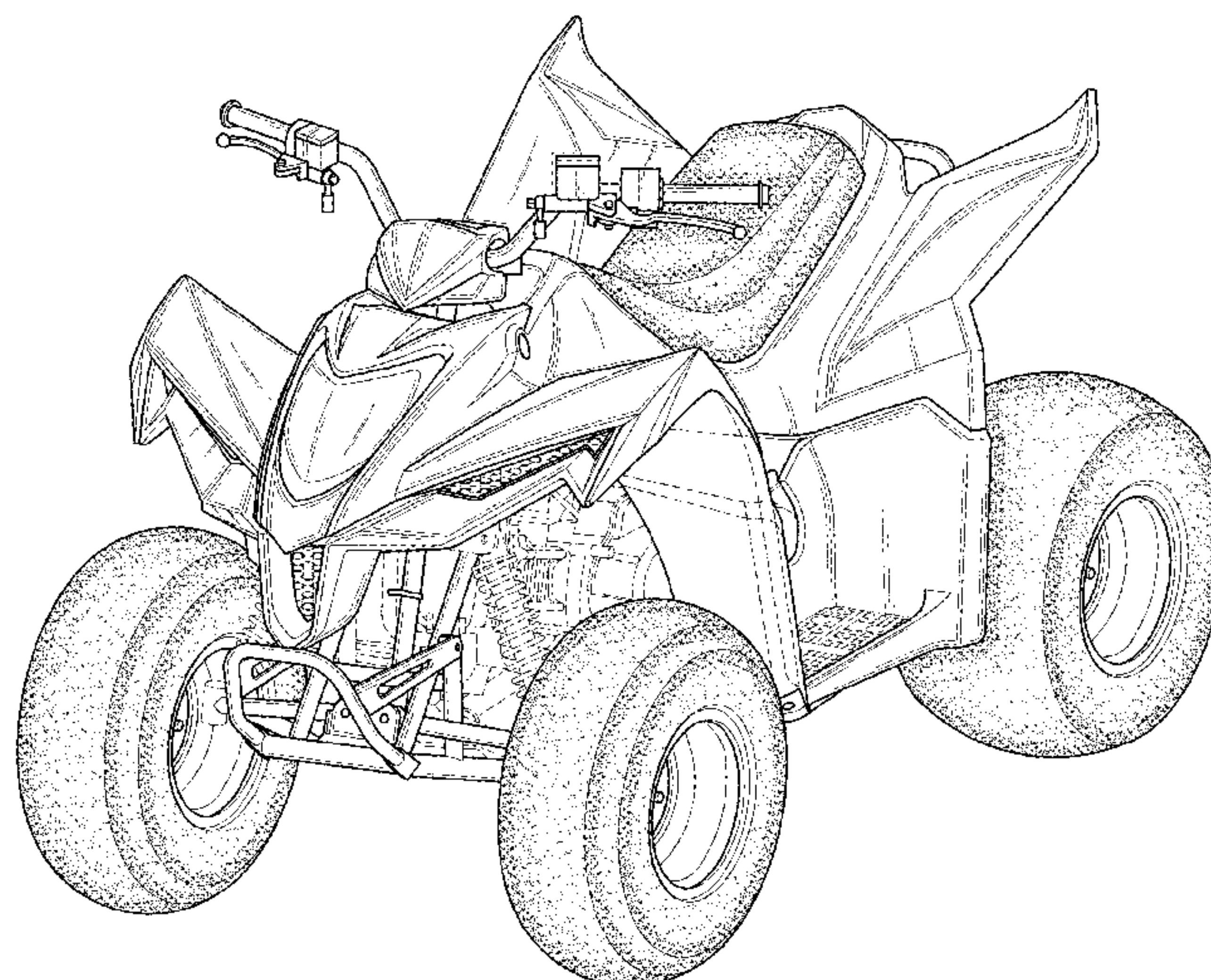
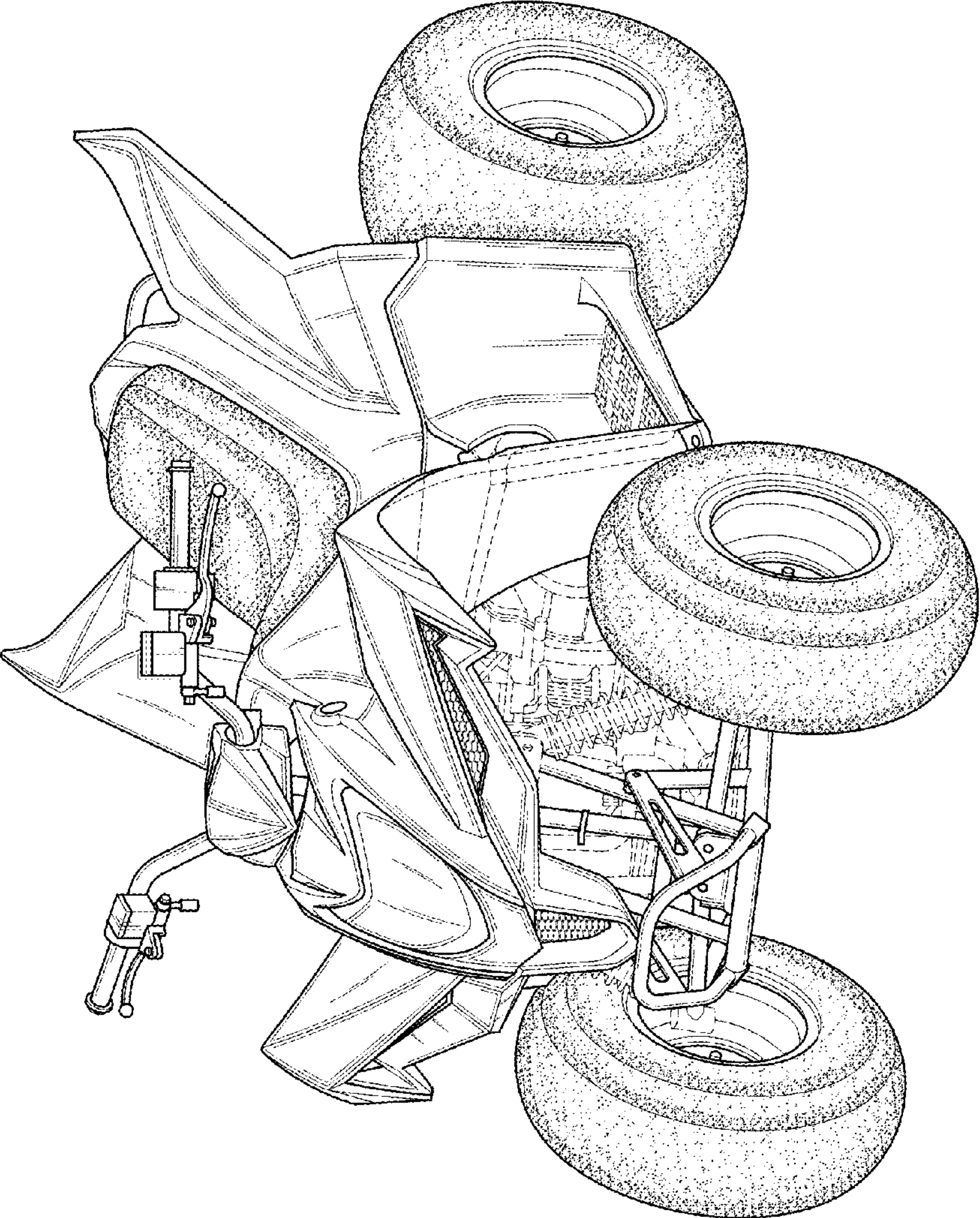


FIG.1



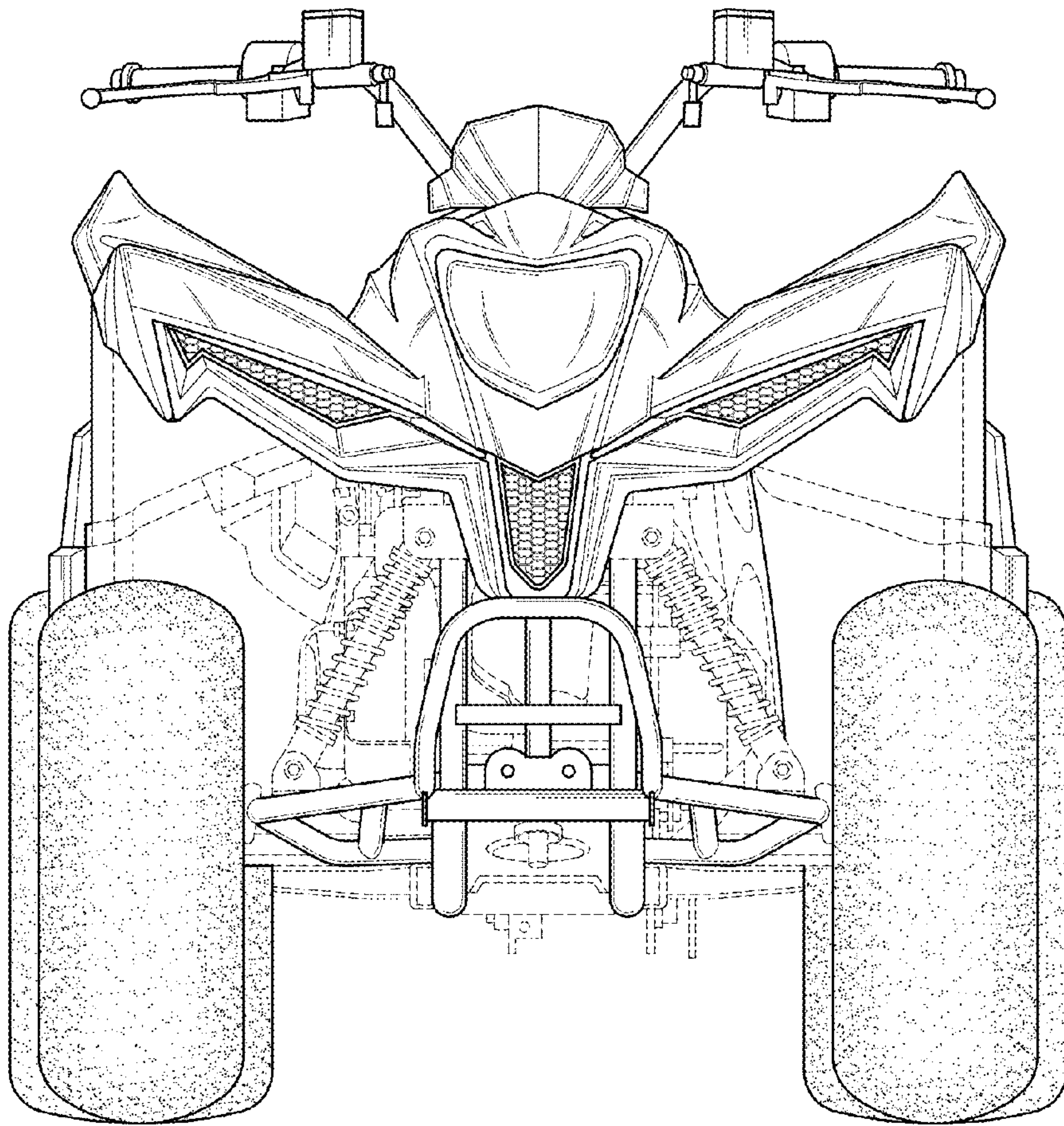


FIG.2

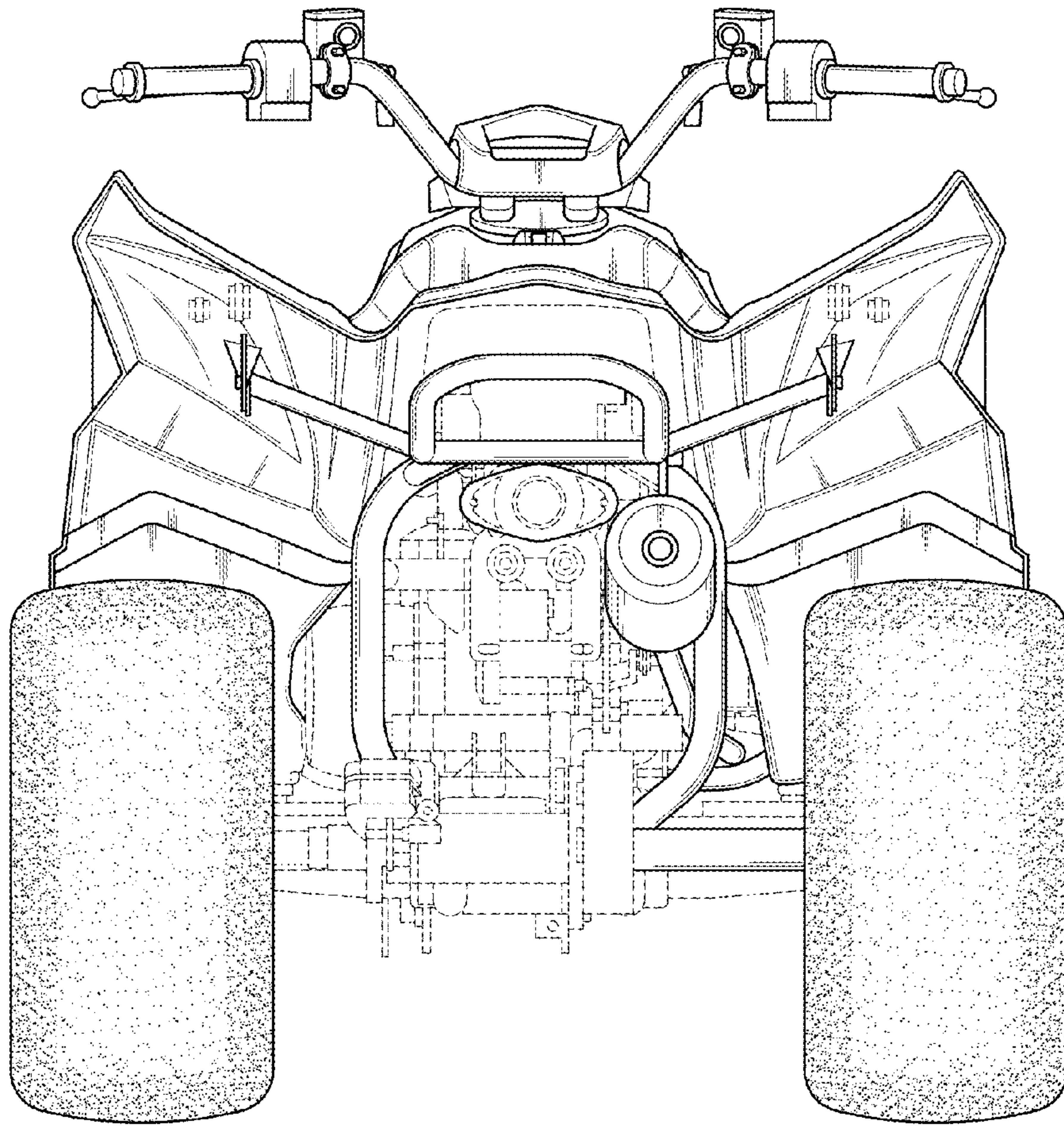


FIG.3

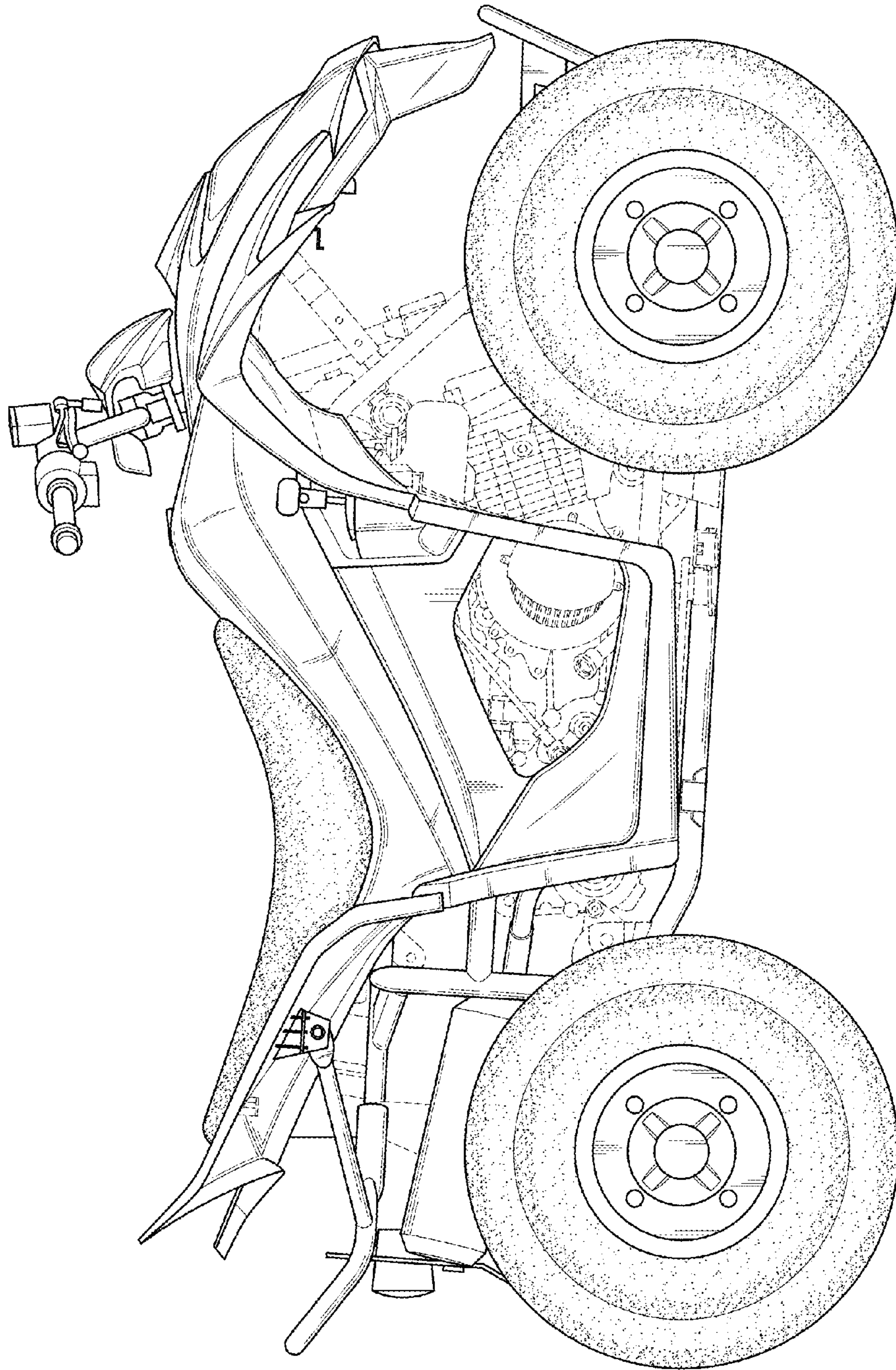


FIG.4

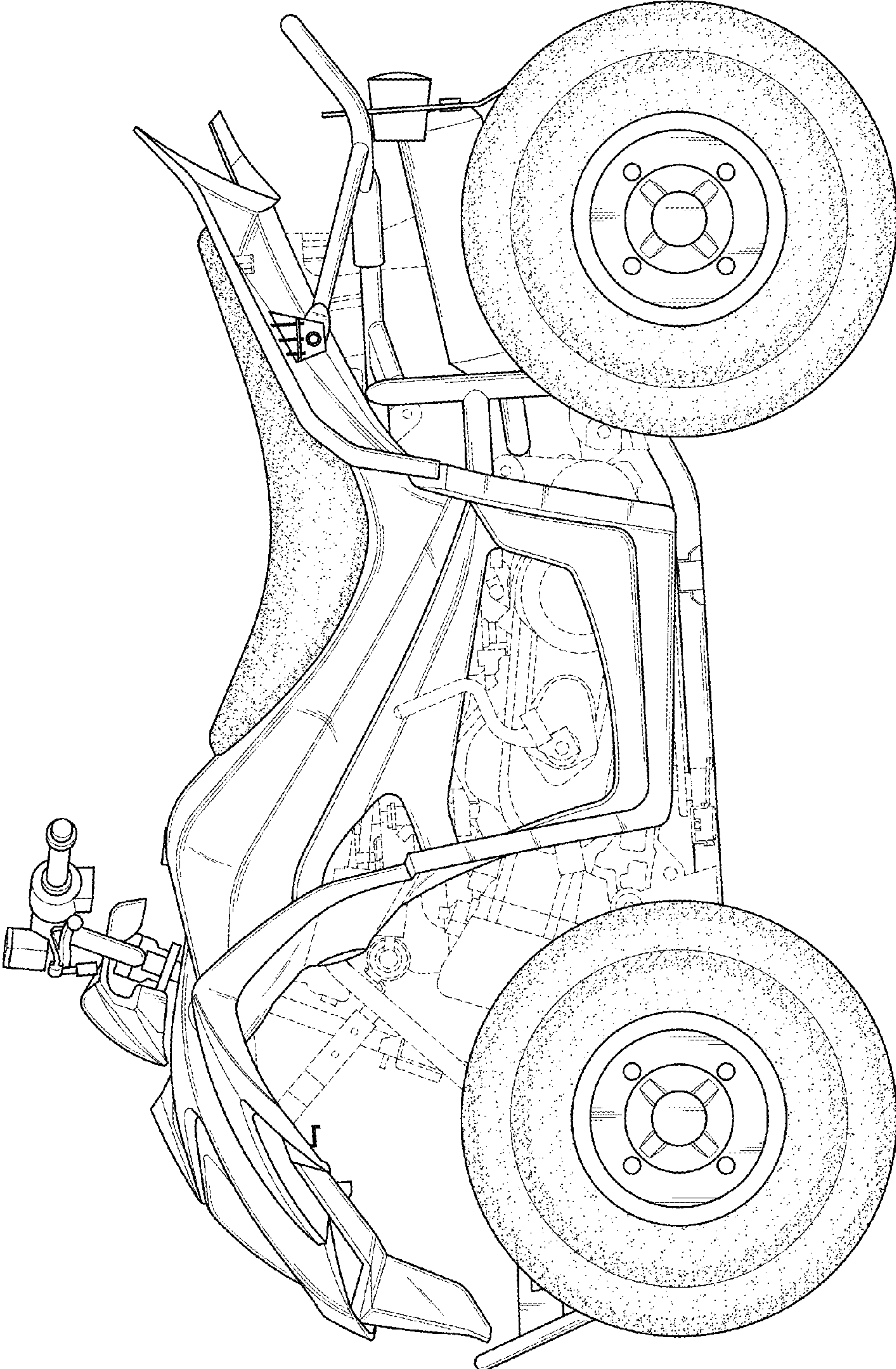


FIG.5

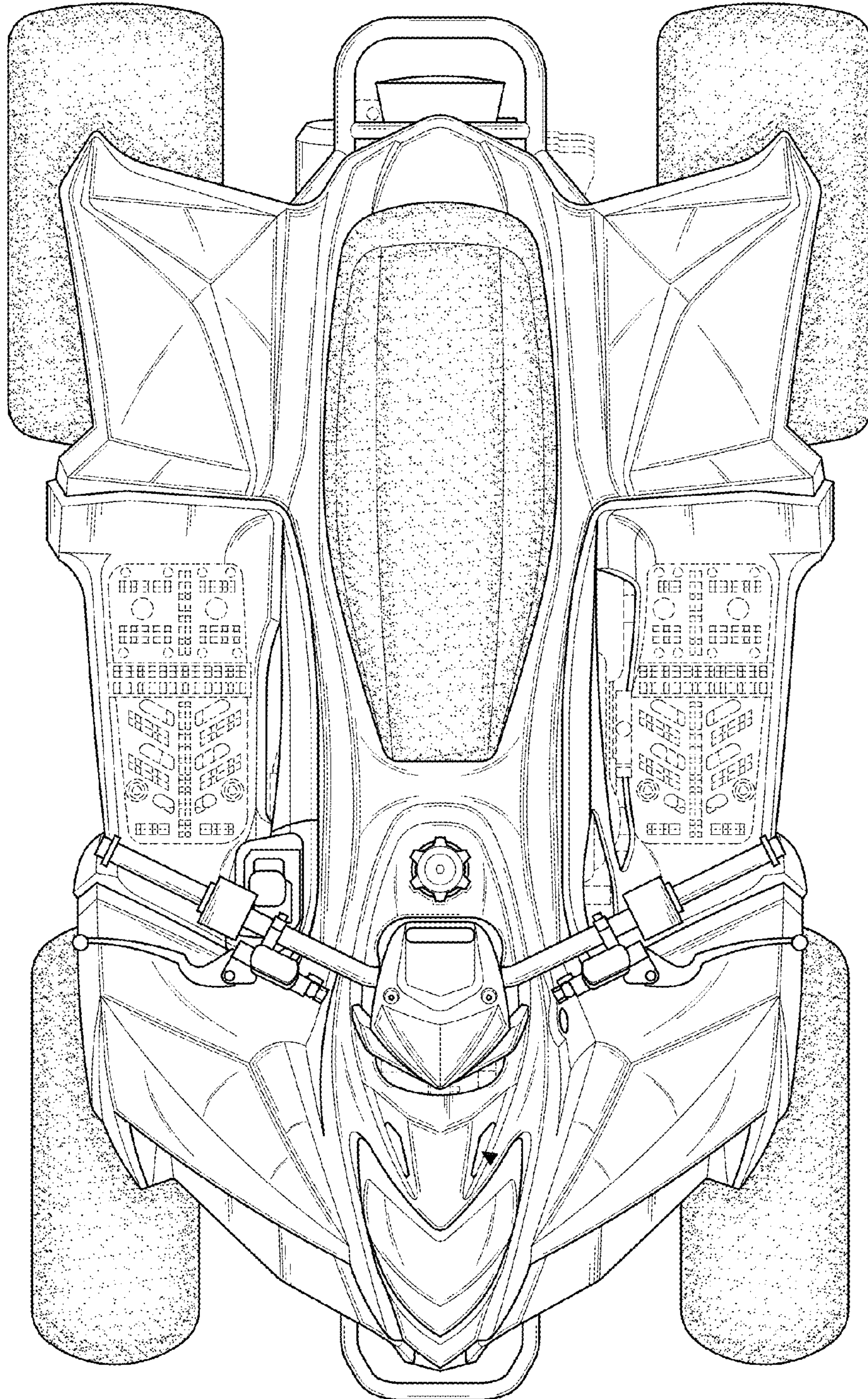


FIG.6

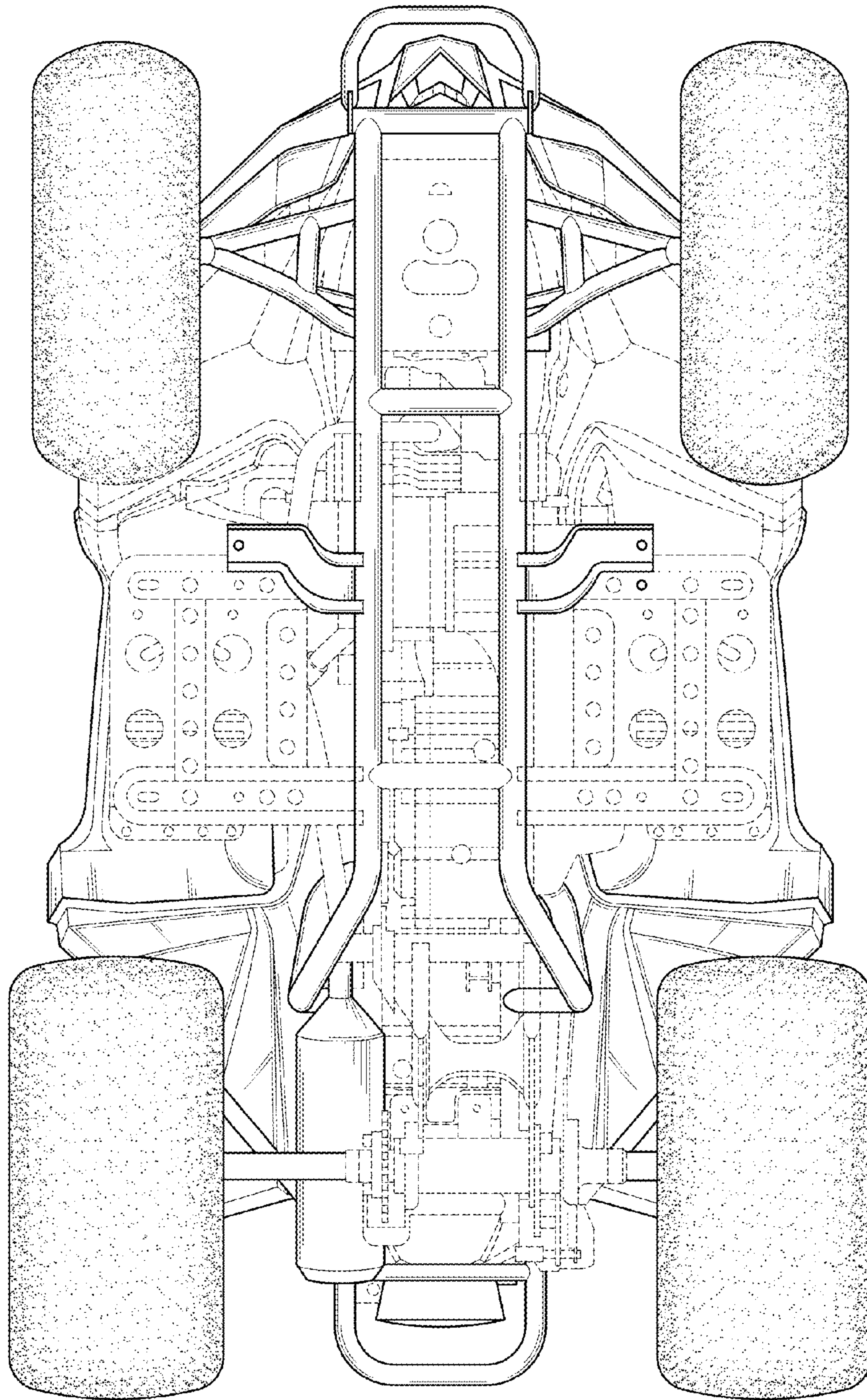


FIG. 7