



US00D722536S

(12) **United States Design Patent**
Hobo

(10) **Patent No.:** **US D722,536 S**

(45) **Date of Patent:** **** Feb. 17, 2015**

(54) **FOUR WHEELED VEHICLE**

(71) Applicant: **Yamaha Hatsudoki Kabushiki Kaisha**,
Shizuoka-ken (JP)

(72) Inventor: **Minoru Hobo**, Toshima-ku (JP)

(73) Assignee: **Yamaha Hatsudoki Kabushiki Kaisha**
(JP)

(**) Term: **14 Years**

(21) Appl. No.: **29/456,363**

(22) Filed: **May 30, 2013**

(51) **LOC (10) Cl.** **12-11**

(52) **U.S. Cl.**
USPC **D12/107**

(58) **Field of Classification Search**
CPC B60K 23/0808; B60K 23/08; B60K 17/35;
B60K 17/344; B60K 17/34
USPC D12/107, 181; D6/354; 180/233, 248,
180/311, 312, 89.2, 90.6, 247, 309, 89.1,
180/908; 297/195.13, 195.1, 195.12;
296/37.1, 64, 63; 224/275, 426, 488,
224/572; 280/124.135, 93.502, 781

See application file for complete search history.

(56) **References Cited**

U.S. PATENT DOCUMENTS

D478,025	S	*	8/2003	Cartwright	D12/107
D555,036	S	*	11/2007	Eck	D12/87
D586,694	S	*	2/2009	Huang et al.	D12/14
D606,900	S	*	12/2009	Flores	D12/87
7,753,427	B2	*	7/2010	Yamamura et al.	296/63
D625,662	S	*	10/2010	Li	D12/87
D670,198	S	*	11/2012	Li et al.	D12/14
D679,627	S	*	4/2013	Li et al.	D12/14
D682,737	S	*	5/2013	Li et al.	D12/14
D682,738	S	*	5/2013	Li et al.	D12/14

8,459,395	B2	*	6/2013	Kitai et al.	180/247
D694,668	S	*	12/2013	Li et al.	D12/14
2008/0035406	A1	*	2/2008	Kitai et al.	180/247
2009/0183937	A1	*	7/2009	Yamamura et al.	180/89.2
2010/0194086	A1	*	8/2010	Yamamura et al.	280/779
2010/0314191	A1	*	12/2010	Deckard et al.	180/312
2012/0031694	A1	*	2/2012	Deckard et al.	180/68.3
2012/0193163	A1	*	8/2012	Wimpfheimer et al.	180/233
2013/0161109	A1	*	6/2013	Sunsdahl et al.	180/233
2013/0319785	A1	*	12/2013	Spindler et al.	180/292

OTHER PUBLICATIONS

Website: <http://www.polaris.com/en-us/ranger-utv/utility-vehicle/ranger-800-efi-solar-red/for> Polaris "Ranger 800 EFI" printed Apr. 16, 2013.

* cited by examiner

Primary Examiner — Eric Goodman

Assistant Examiner — Ryan Harvey

(74) *Attorney, Agent, or Firm* — Ostrolenk Faber LLP

(57) **CLAIM**

I claim the ornamental design for a four wheeled vehicle, as show and described.

DESCRIPTION

FIG. 1 is a front right perspective view of a four wheeled vehicle;

FIG. 2 is a rear left perspective view thereof;

FIG. 3 is a front view thereof;

FIG. 4 is a rear view thereof;

FIG. 5 is a left side view thereof;

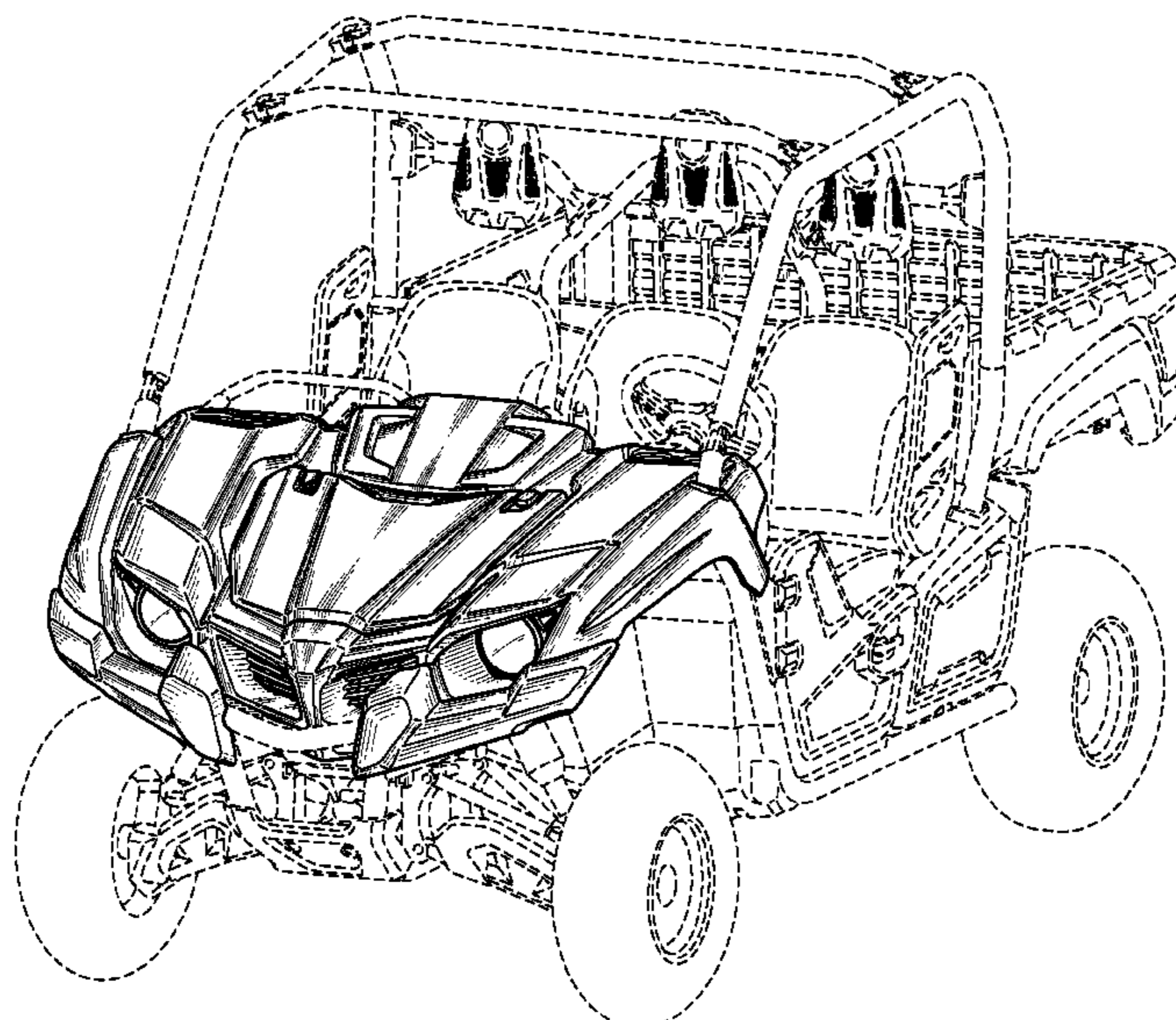
FIG. 6 is a right side view thereof;

FIG. 7 is a top view thereof; and,

FIG. 8 is a bottom view thereof.

The broken lines illustrate portions of the article that form no part of the claimed design.

1 Claim, 8 Drawing Sheets



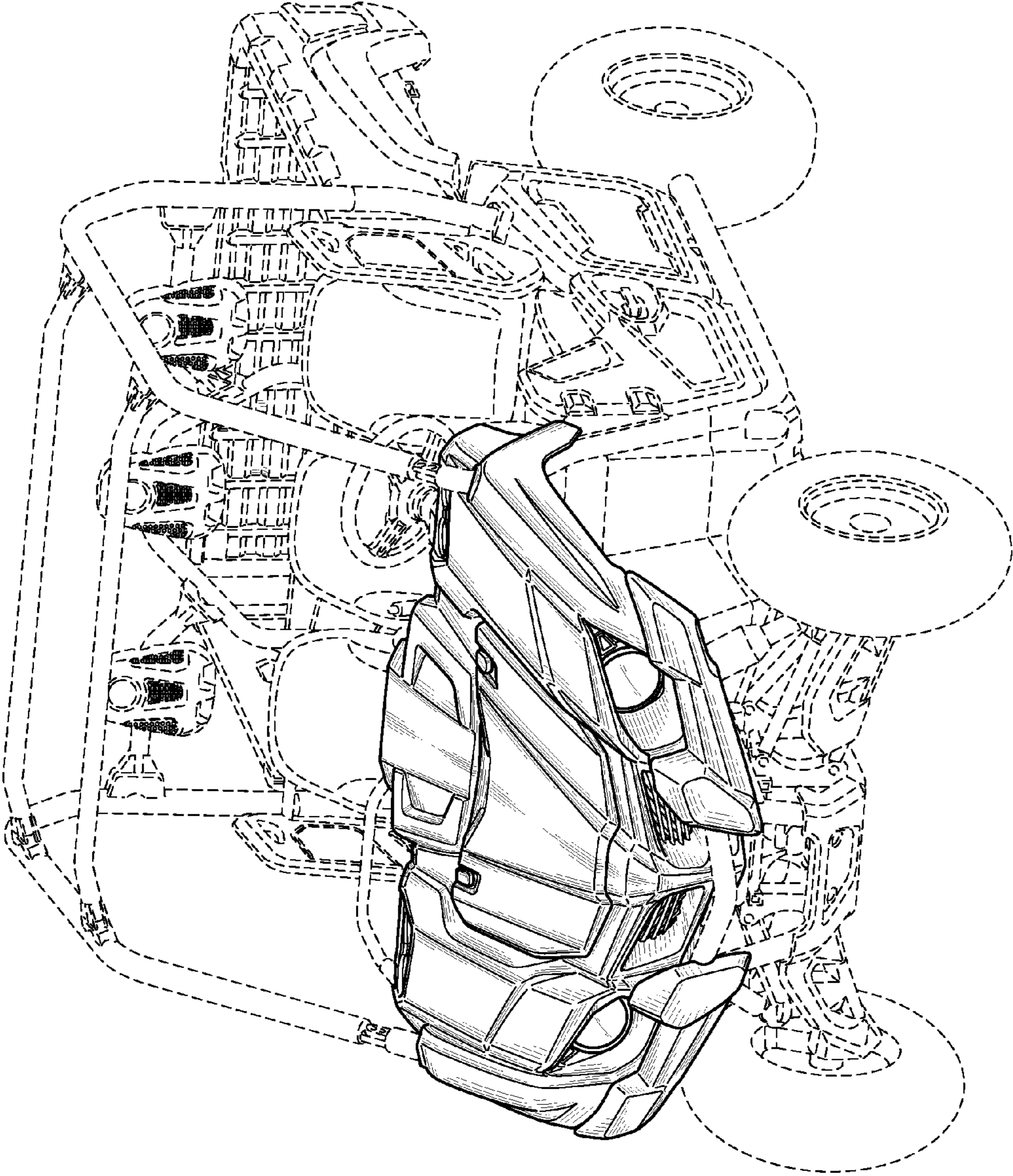


FIG. 1

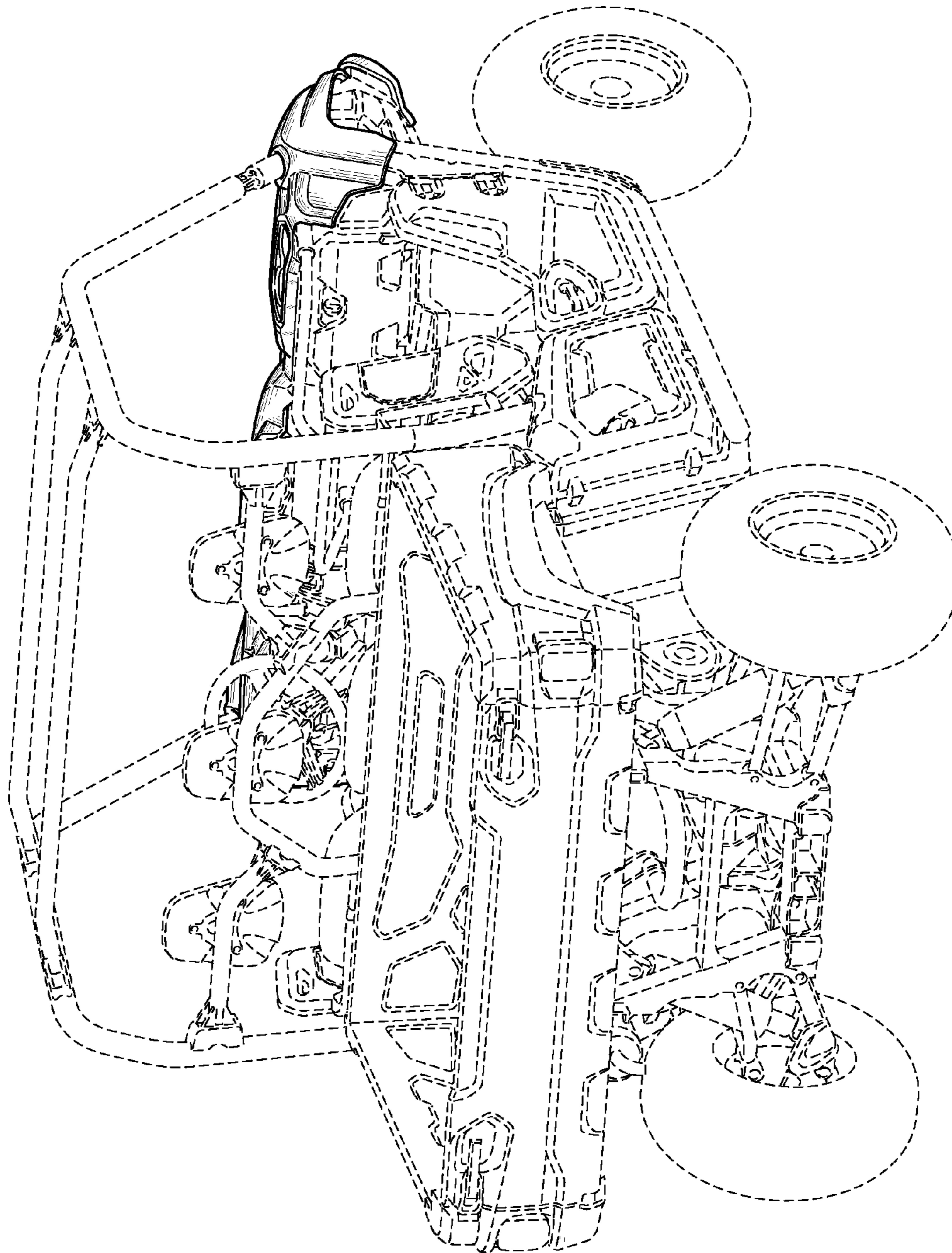


FIG. 2

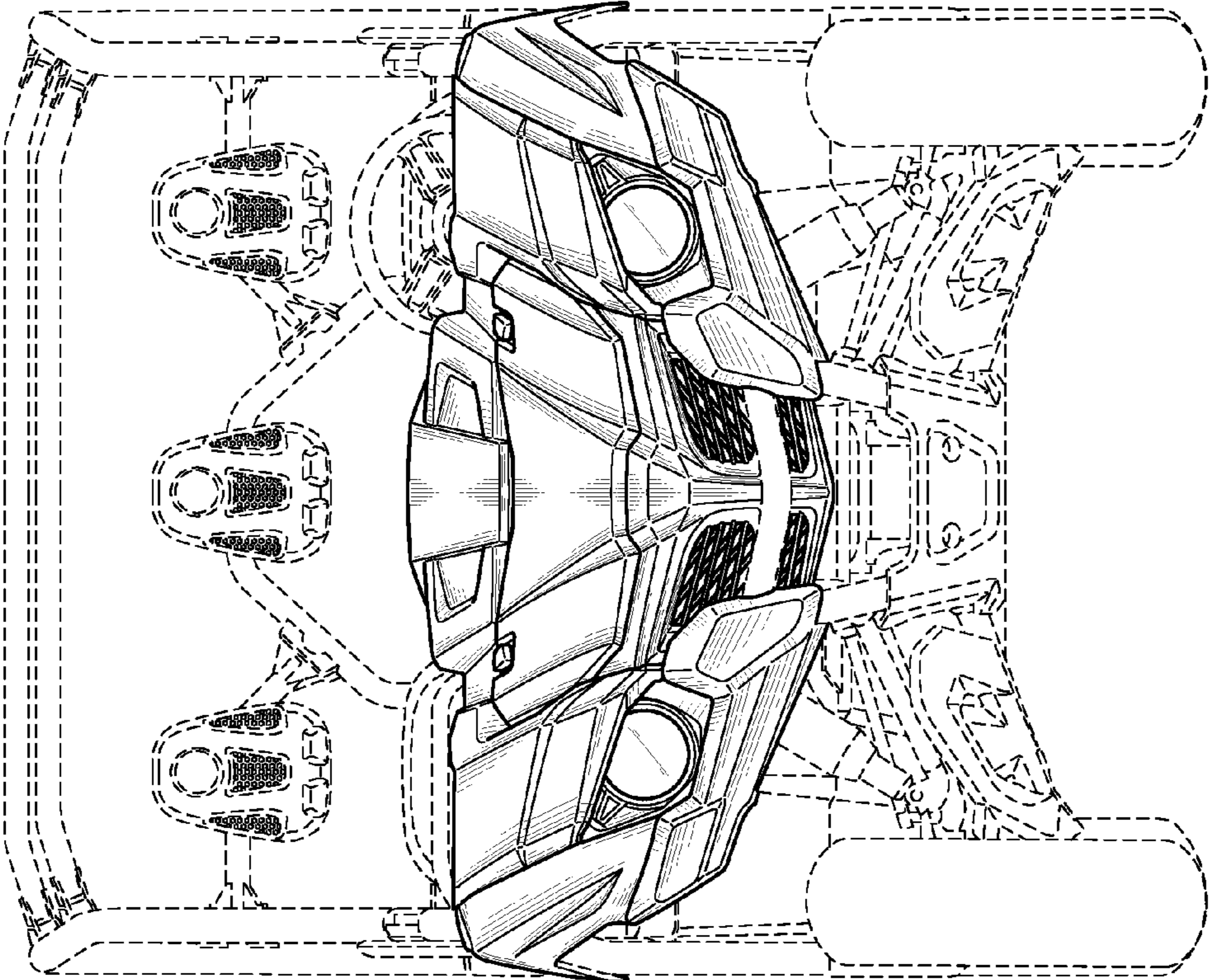


FIG. 3

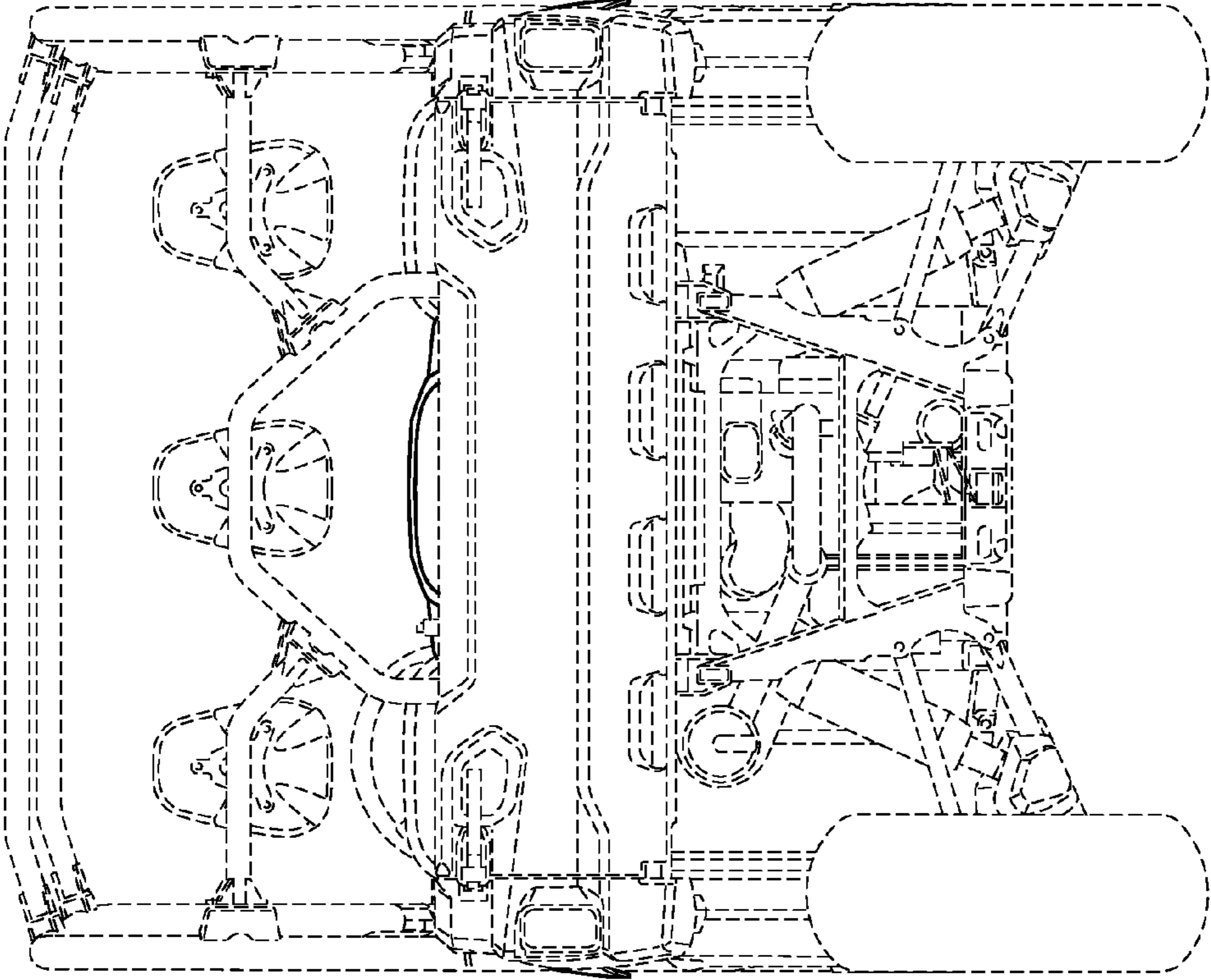


FIG. 4

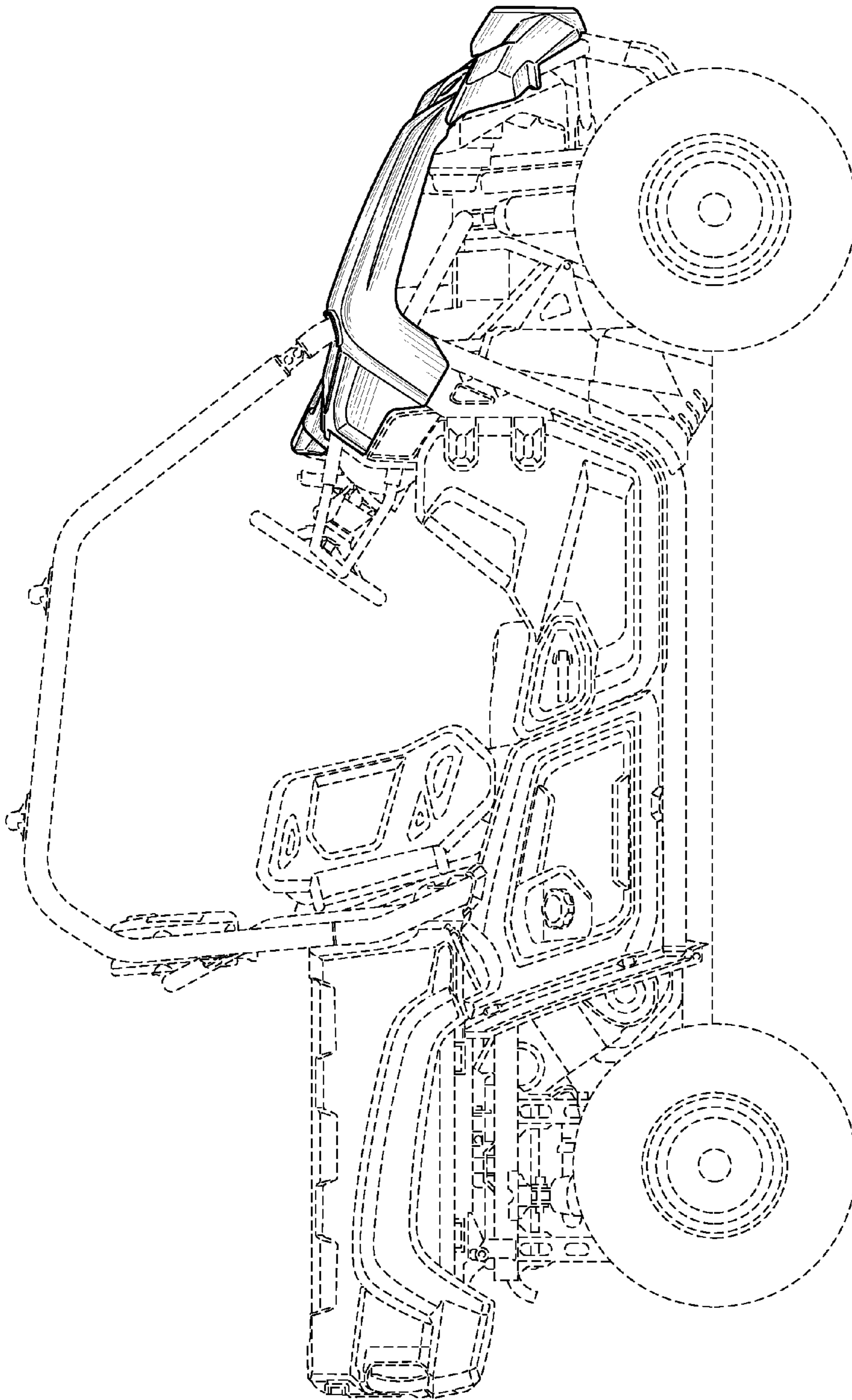


FIG. 5

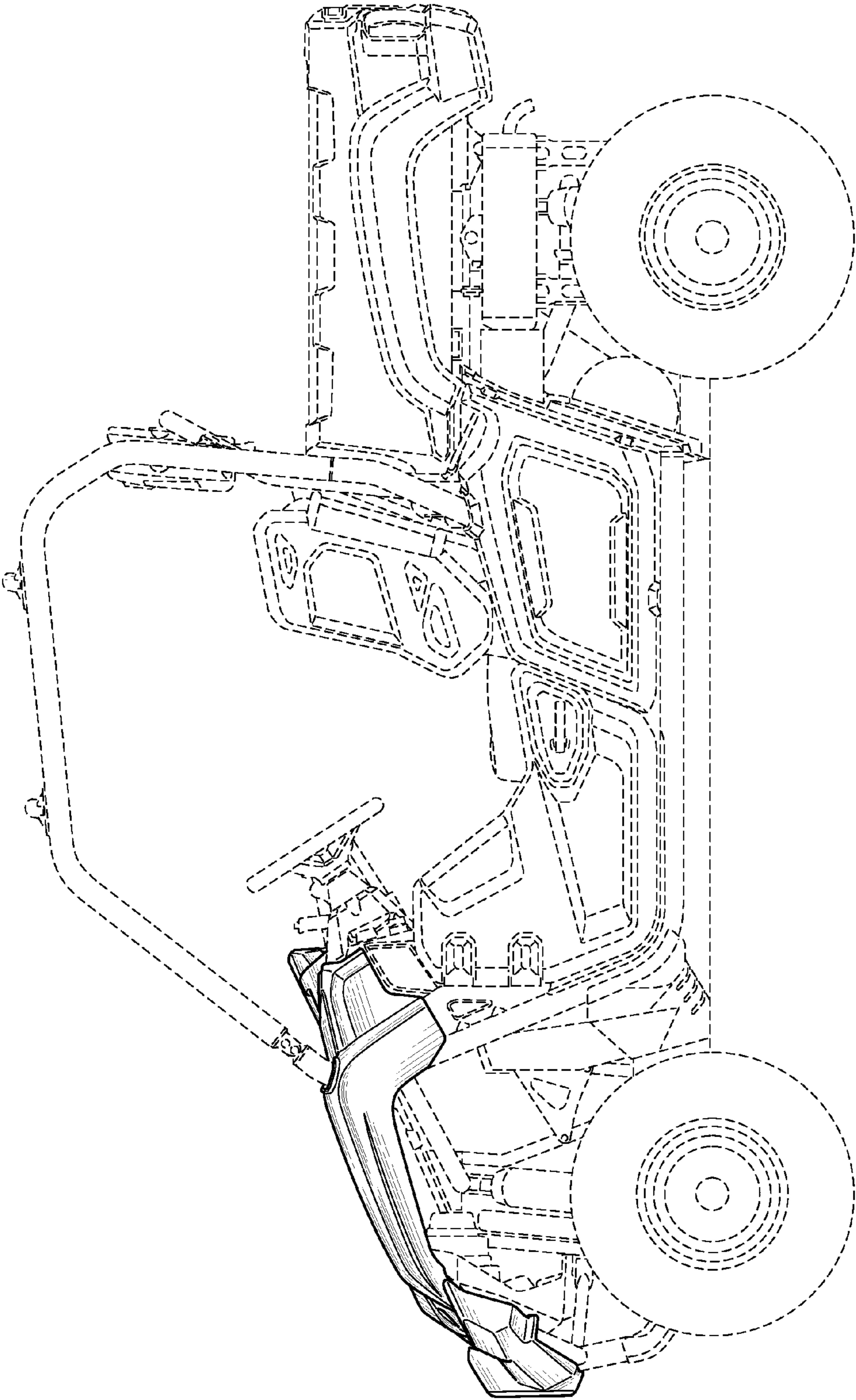


FIG. 6

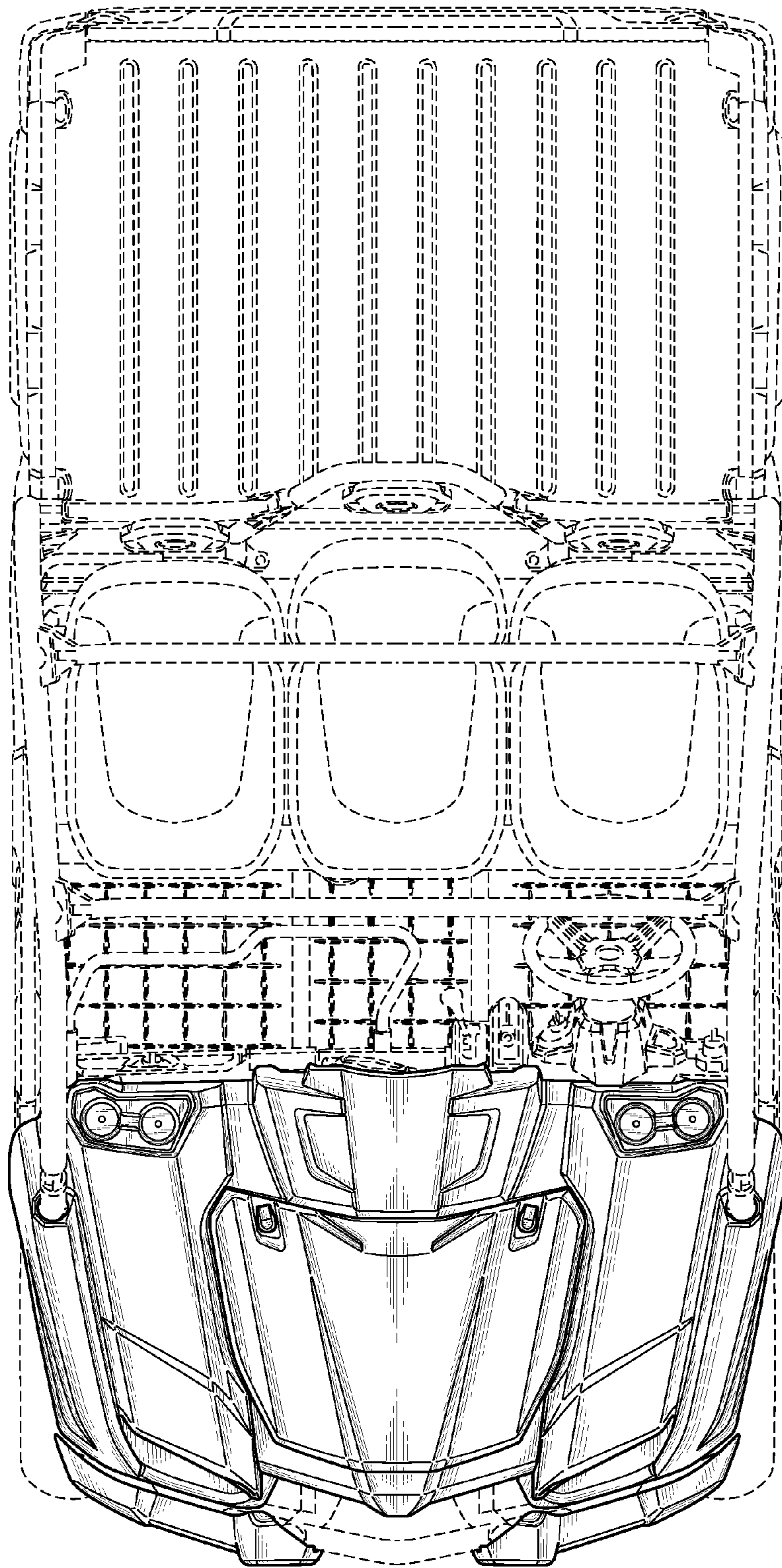


FIG. 7

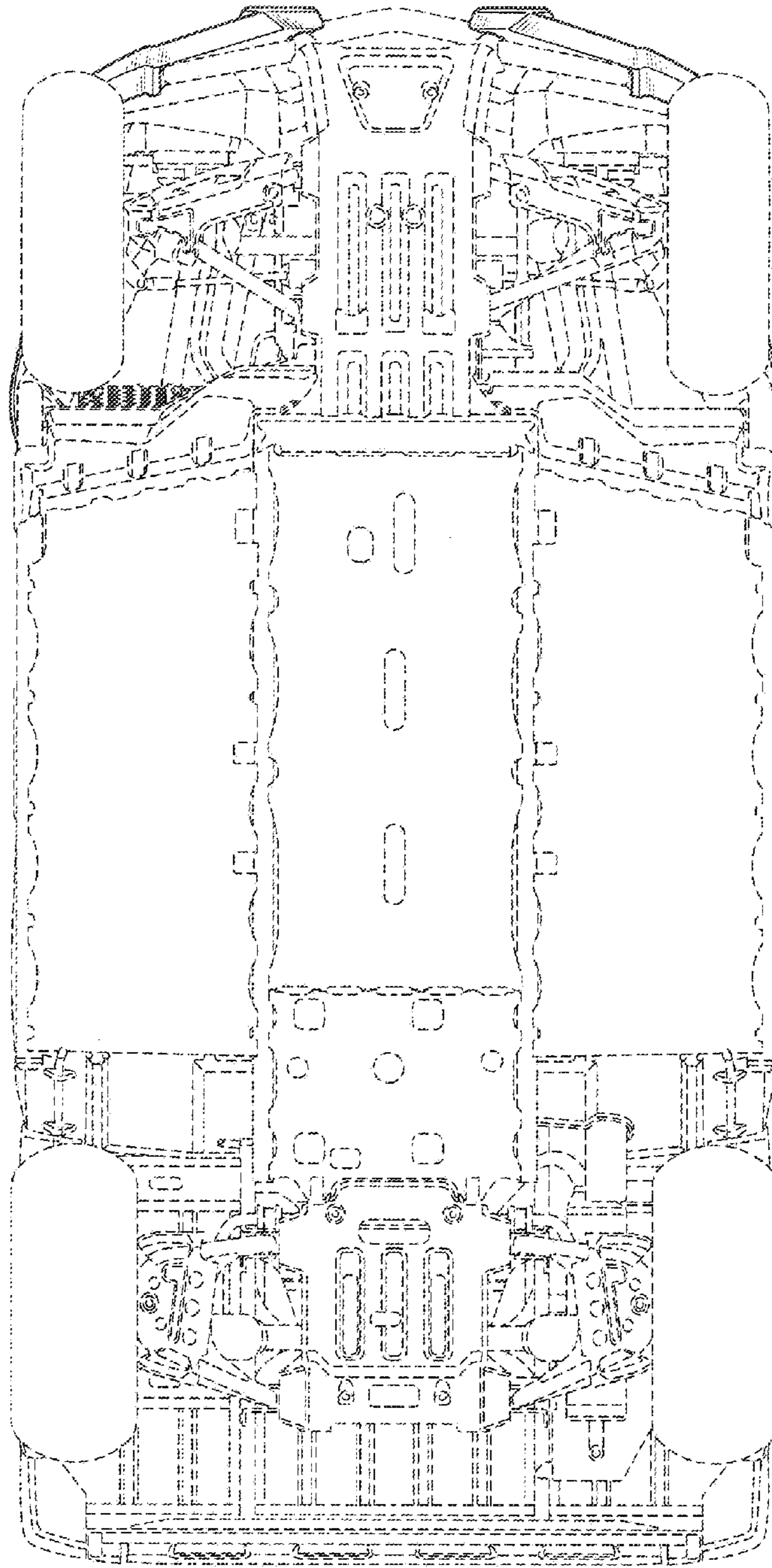


Fig. 8