



US00D722535S

(12) **United States Design Patent**
Baudy et al.

(10) **Patent No.:** **US D722,535 S**
(45) **Date of Patent:** **** Feb. 17, 2015**

(54) **VEHICLE, TOY, AND/OR REPLICAS THEREOF**

(71) Applicant: **Daimler AG**, Stuttgart (DE)
(72) Inventors: **Bastian Baudy**, Stuttgart (DE); **Holger Hutzenlaub**, Boeblingen (DE); **Steffen Koehl**, Stuttgart (DE); **Robert Oliver Samson**, Stuttgart (DE); **Gorden Wagener**, Gaeufelden (DE); **Sylvain Wehnert**, Stuttgart (DE)

(73) Assignee: **Daimler AG**, Stuttgart (DE)

(**) Term: **14 Years**

(21) Appl. No.: **29/479,432**

(22) Filed: **Jan. 16, 2014**

(30) **Foreign Application Priority Data**

Jul. 17, 2013 (EM) 002275867-0001

(51) **LOC (10) Cl.** **12-08**

(52) **U.S. Cl.**
USPC **D12/92**

(58) **Field of Classification Search**
USPC D12/86, 90-92; D21/421, 433, 434;
296/181.1, 181.5

See application file for complete search history.

(56) **References Cited**

U.S. PATENT DOCUMENTS

D698,283 S * 1/2014 Palm D12/92
D704,102 S * 5/2014 Nurnberger D12/92
D710,260 S * 8/2014 Villarreal D12/92

* cited by examiner

Primary Examiner — Melody N Brown

(74) *Attorney, Agent, or Firm* — Crowell & Moring LLP

(57) **CLAIM**

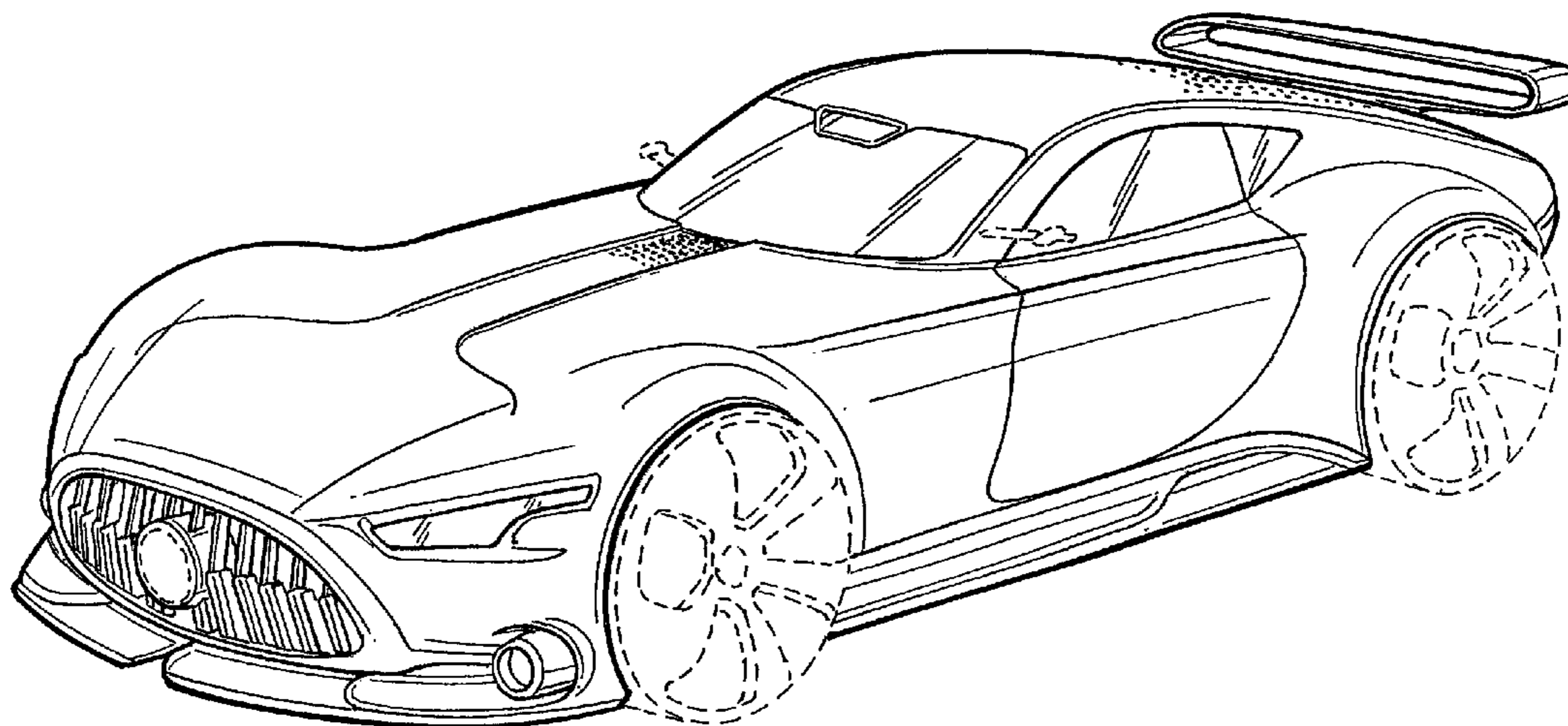
The ornamental design for a vehicle, toy, and/or replicas thereof, as shown and described.

DESCRIPTION

FIG. 1 is a left, front perspective view of a vehicle, toy, and/or replicas thereof according to the design, the right, front perspective view being mirror symmetrical;
FIG. 2 is a left, rear perspective view thereof, the right, rear perspective view being mirror symmetrical;
FIG. 3 is a left side view thereof, the right side view being mirror symmetrical;
FIG. 4 is a front view thereof;
FIG. 5 is a rear view thereof; and,
FIG. 6 is a top view thereof.

The broken lines are for illustrative purposes only and form no part of the claimed design.

1 Claim, 5 Drawing Sheets



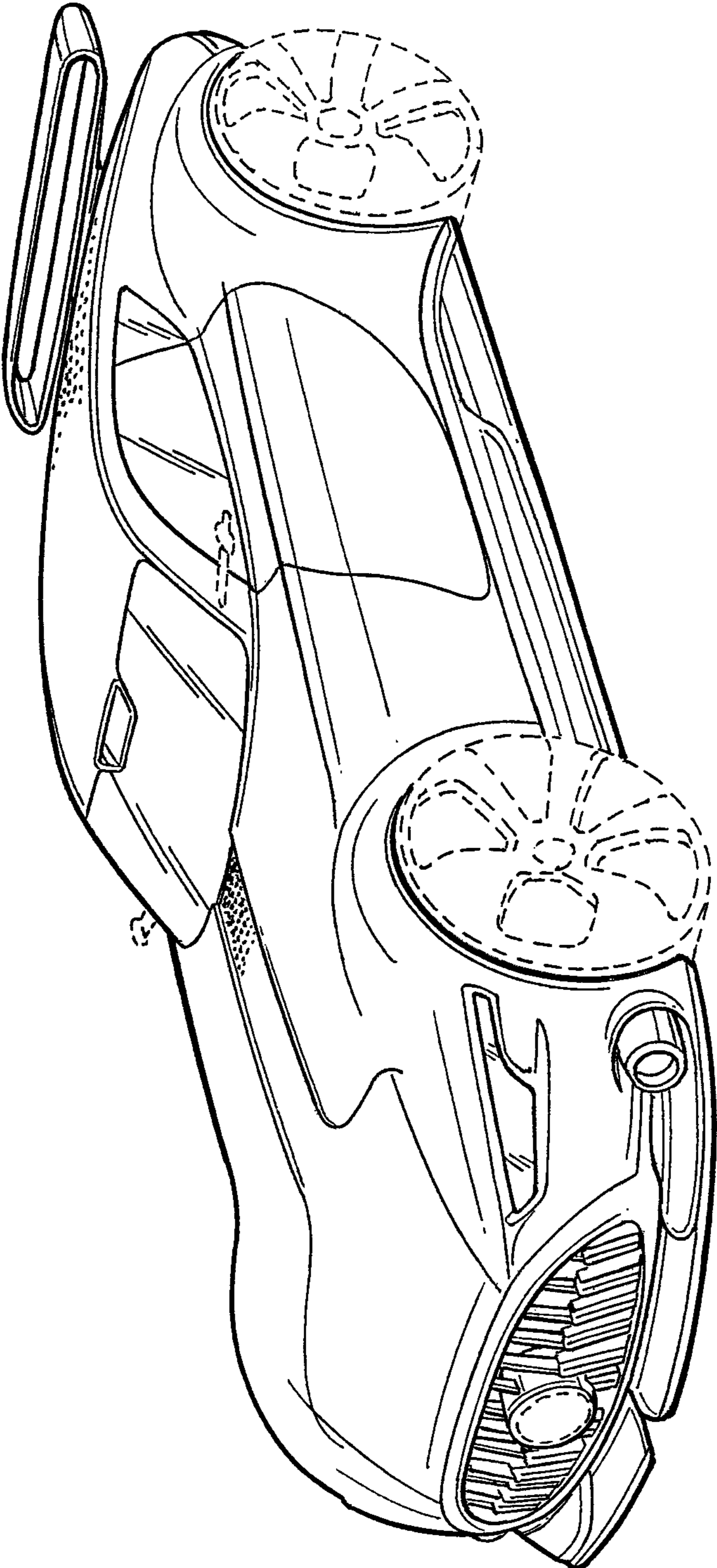


FIG. 1

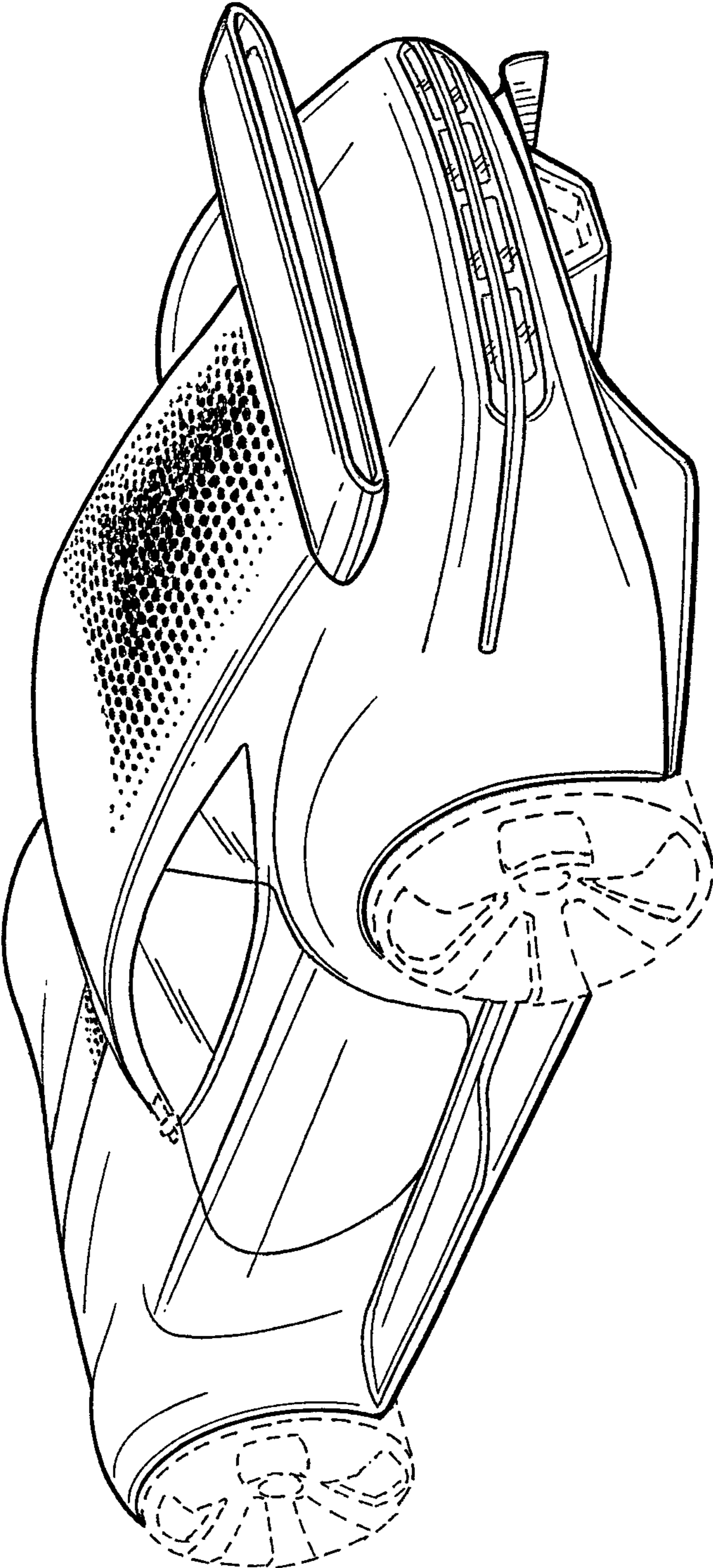


FIG. 2

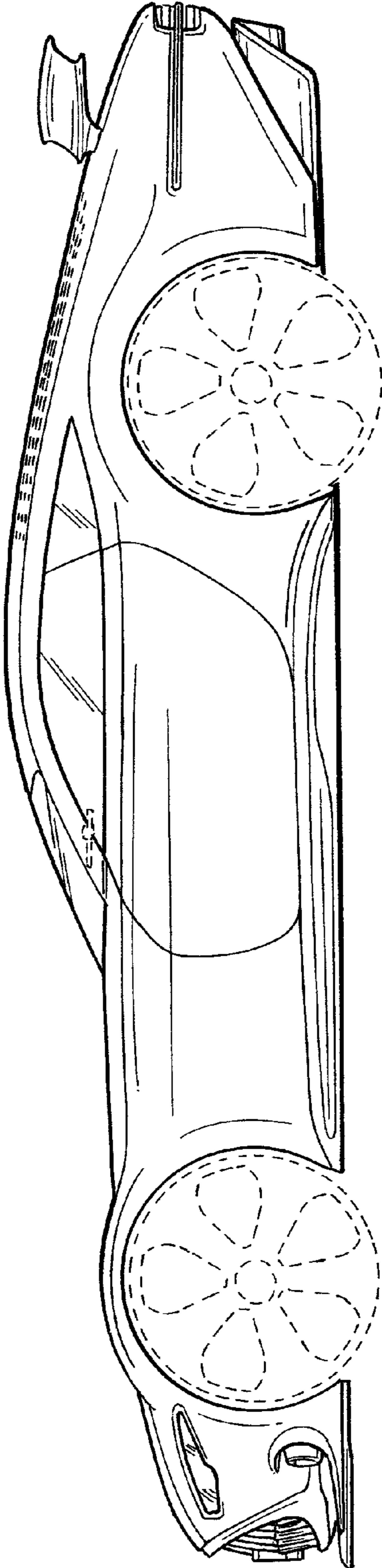


FIG. 3

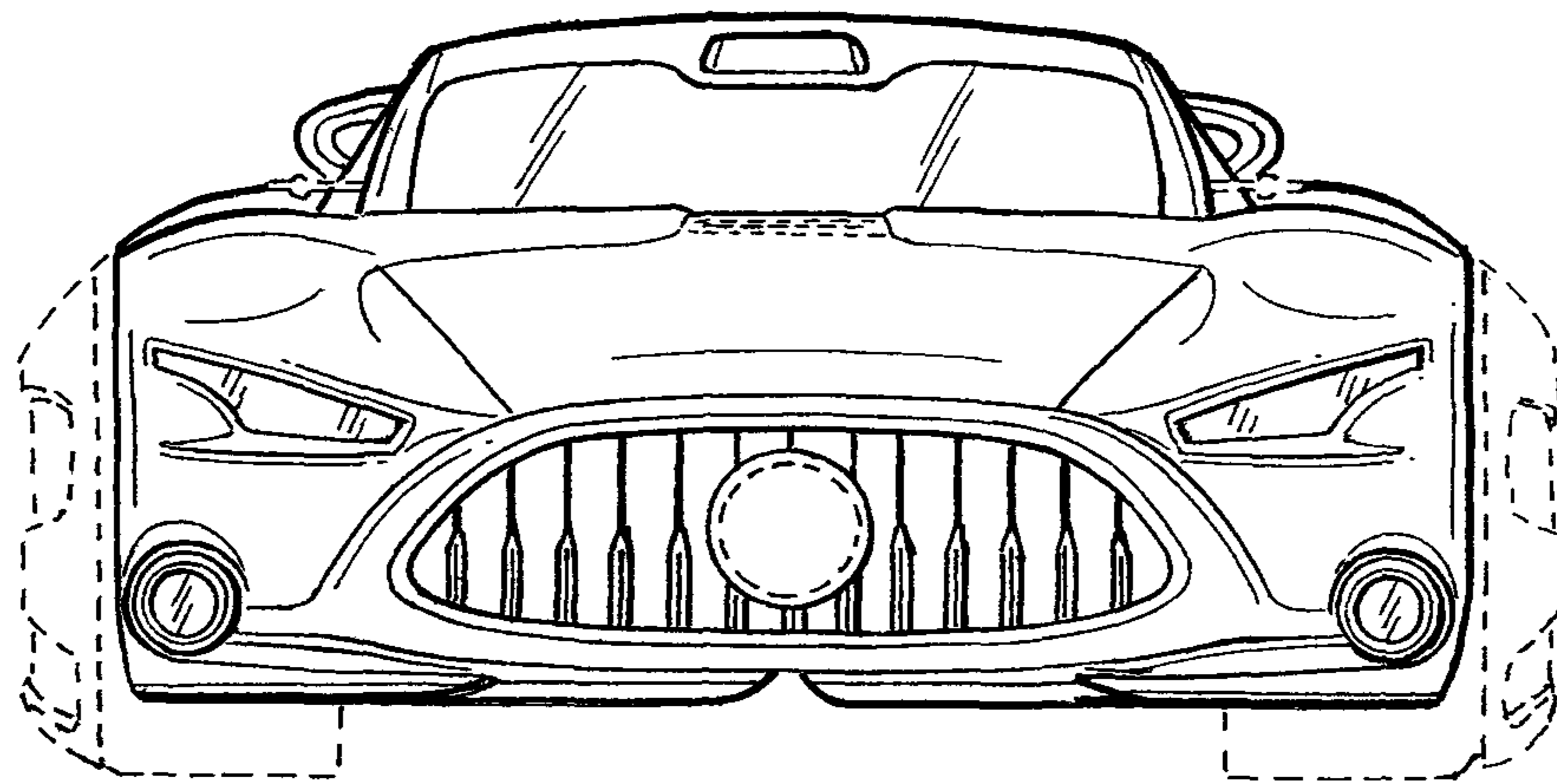


FIG. 4

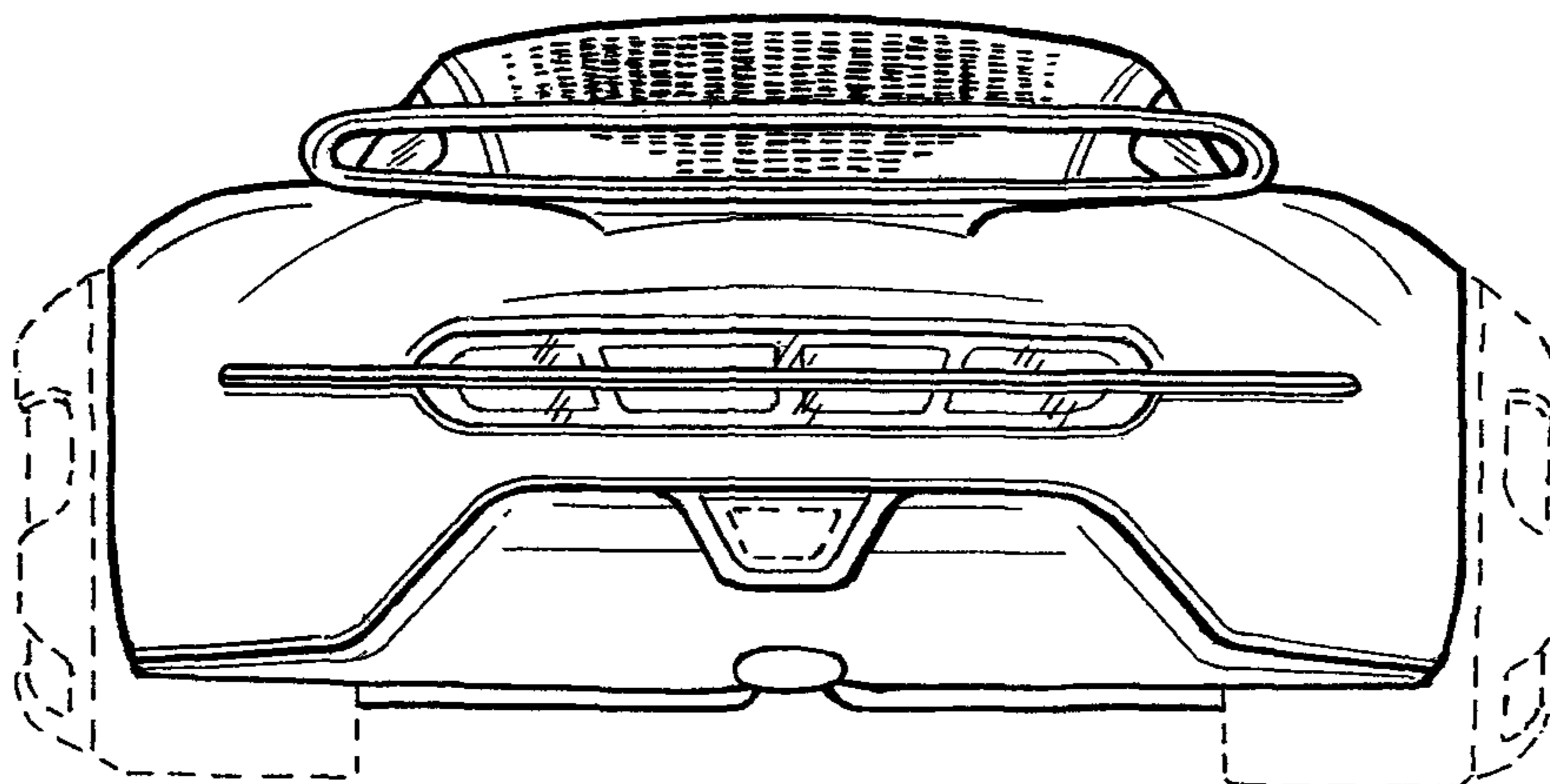


FIG. 5

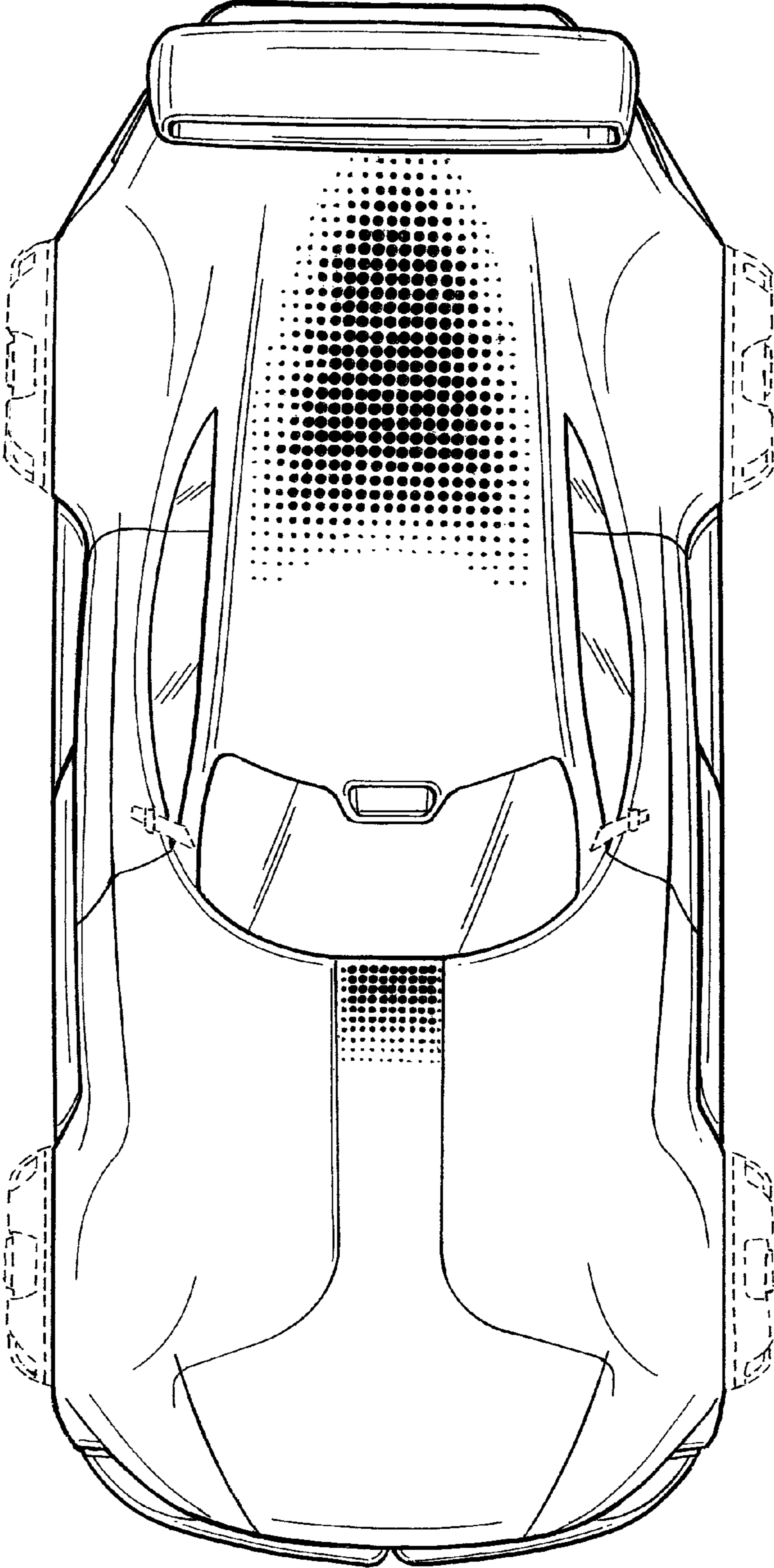


FIG. 6