



US00D722534S

(12) **United States Design Patent**
Munson et al.

(10) **Patent No.:** **US D722,534 S**
(45) **Date of Patent:** **** Feb. 17, 2015**

- (54) **VEHICLE BODY EXTERIOR**
- (71) Applicant: **GM Global Technology Operations LLC**, Detroit, MI (US)
- (72) Inventors: **Robert J. Munson**, Rochester Hills, MI (US); **U Yong Choi**, Bloomfield Township, MI (US)
- (73) Assignee: **GM Global Technology Operations LLC**, Detroit, MI (US)

- D608,691 S 1/2010 Zak, Jr. et al.
- D609,608 S 2/2010 Boniface et al.
- D611,387 S 3/2010 Thompson et al.
- D611,879 S 3/2010 Kim et al.
- D612,297 S 3/2010 Peters et al.
- D613,645 S 4/2010 Song et al.
- D615,458 S 5/2010 Thompson et al.
- D623,090 S * 9/2010 Cox et al. D12/92
- D627,262 S 11/2010 Ikeda et al.
- D635,488 S 4/2011 Phipps
- D644,147 S 8/2011 Suh et al.
- D644,148 S * 8/2011 Smart D12/91

(Continued)

(**) Term: **14 Years**

OTHER PUBLICATIONS

(21) Appl. No.: **29/476,490**

Design U.S. Appl. No. 29/407,580, filed Nov. 30, 2011; First Named Inventor: Robert J. Munson; Title: Vehicle Body.

(22) Filed: **Dec. 13, 2013**

(Continued)

(51) **LOC (10) Cl.** **12-08**

(52) **U.S. Cl.**
USPC **D12/92**

(58) **Field of Classification Search**
CPC B62D 35/00
USPC D12/86, 90-92; D21/421, 433, 434;
296/181.1, 181.5
See application file for complete search history.

Primary Examiner — Melody N Brown
(74) *Attorney, Agent, or Firm* — Lionel D. Anderson; Reising Ethington P.C.

(57) **CLAIM**
The ornamental design for a vehicle body exterior, as shown and described.

(56) **References Cited**

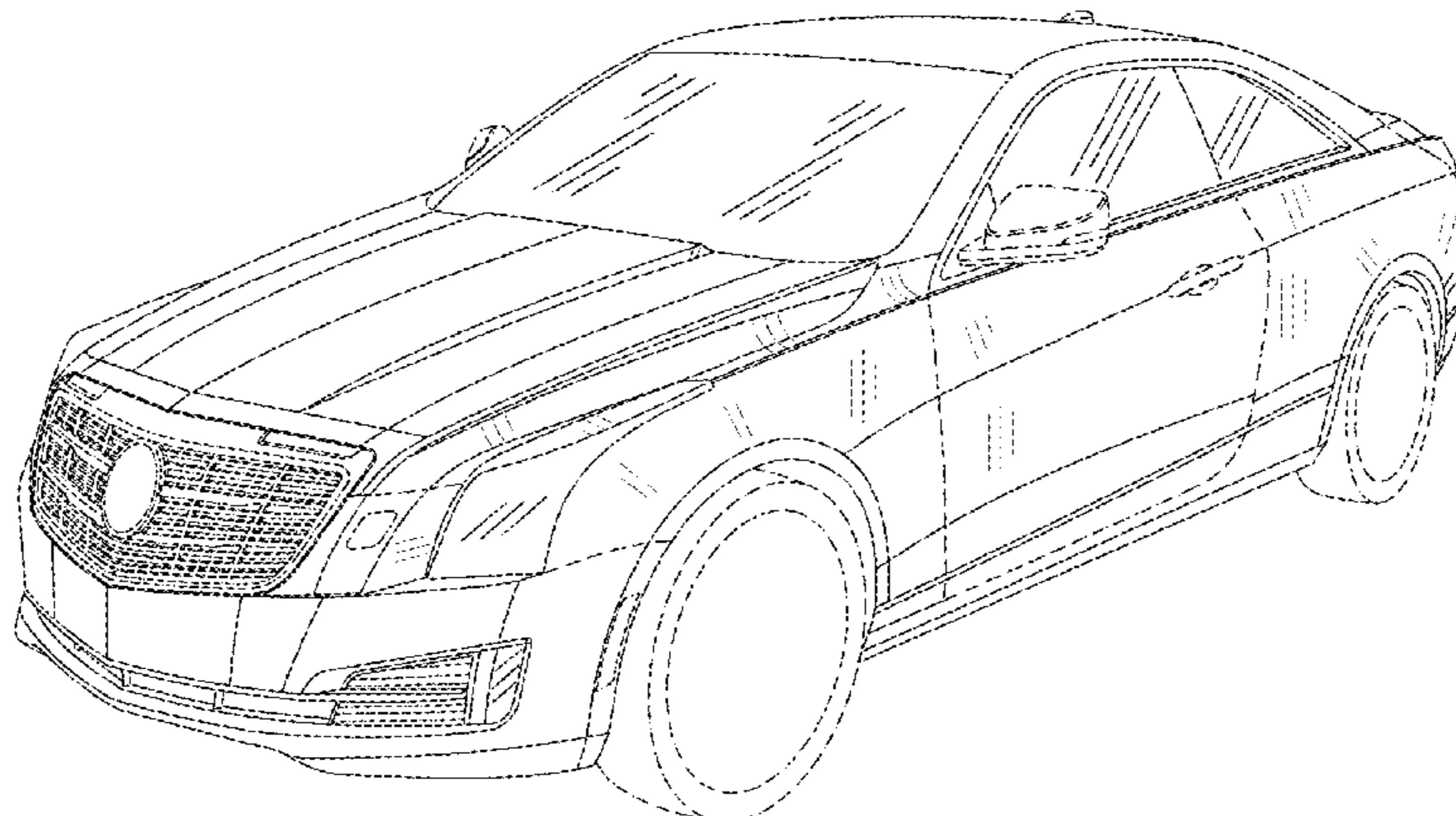
DESCRIPTION

U.S. PATENT DOCUMENTS

- D591,201 S * 4/2009 Granlund D12/91
- D592,105 S 5/2009 Dean et al.
- D592,549 S * 5/2009 Zak et al. D12/91
- D592,550 S * 5/2009 Lawlis D12/91
- D592,551 S * 5/2009 Manoogian et al. D12/91
- D597,447 S 8/2009 Folden
- D603,755 S 11/2009 Peters
- D605,082 S * 12/2009 Munson D12/86
- D605,083 S * 12/2009 Manoogian et al. D12/86
- D605,978 S * 12/2009 Wolff et al. D12/91
- D608,249 S 1/2010 Peters
- D608,690 S 1/2010 Folden et al.

FIG. 1 is a front perspective view of the vehicle body exterior; FIG. 2 is a front and left side perspective view thereof; FIG. 3 is a left side elevation view thereof (where the right side elevation view is a mirror image except that the right side elevation view would depict a gas cap); FIG. 4 is a top plan view thereof; FIG. 5 is a rear and left side perspective view thereof; and, FIG. 6 is a rear perspective view thereof. The broken lines shown in the drawings depict portions of the vehicle body exterior that form no part of the claimed design.

1 Claim, 6 Drawing Sheets



(56)

References Cited

U.S. PATENT DOCUMENTS

D644,567 S 9/2011 Kozub
D668,182 S 10/2012 Barba Franco
D668,183 S 10/2012 Smart
D674,727 S * 1/2013 Karras et al. D12/92
D680,909 S * 4/2013 Munson et al. D12/92
D686,536 S 7/2013 McCabe et al.
D704,103 S * 5/2014 Mack et al. D12/92

OTHER PUBLICATIONS

Design U.S. Appl. No. 29/409,092, filed Dec. 20, 2011; First Named Inventor: Nicholas J. David; Title: Vehicle Body.
Design U.S. Appl. No. 29/413,221, filed Feb. 13, 2012; First Named Inventor: Joseph C. Baker, Title: Vehicle Body.
Design U.S. Appl. No. 29/414,260, filed Feb. 27, 2012; First Named Inventor: Steven M. McCabe; Title: Vehicle Body.

Design U.S. Appl. No. 29/416,870, filed Mar. 28, 2012; First Named Inventor: Joshua L. Thurber; Title: Vehicle Body.
Design U.S. Appl. No. 29/417,143, filed Mar. 30, 2012; First Named Inventor: Andrew D. Smith; Title: Vehicle Body.
Design U.S. Appl. No. 29/435,107, filed Oct. 19, 2012; First Named Inventor: John H. Ware; Title: Vehicle Body Exterior.
Design U.S. Appl. No. 29/435,113, filed Oct. 19, 2012; First Named Inventor: John H. Ware; Title: Vehicle Body Exterior.
Design U.S. Appl. No. 29/437,463, filed Nov. 16, 2012; First Named Inventor: Niels Loeb; Title: Motor Car.
Design U.S. Appl. No. 29/440,876, filed Dec. 28, 2012; First Named Inventor: John P. Mack; Title: Vehicle Body Exterior.
Design U.S. Appl. No. 29/450,700, filed Mar. 21, 2013; First Named Inventor: Andrew Dyson; Title: Motor Car.
Design U.S. Appl. No. 29/451,178, filed Mar. 28, 2013; First Named Inventor: Richard Fulvio Ferlazzo; Title: Vehicle Body Exterior.
Design U.S. Appl. No. 29/471,417, filed Oct. 31, 2013; First Named Inventor: Robin Krieg; Title: Vehicle Body Exterior.

* cited by examiner

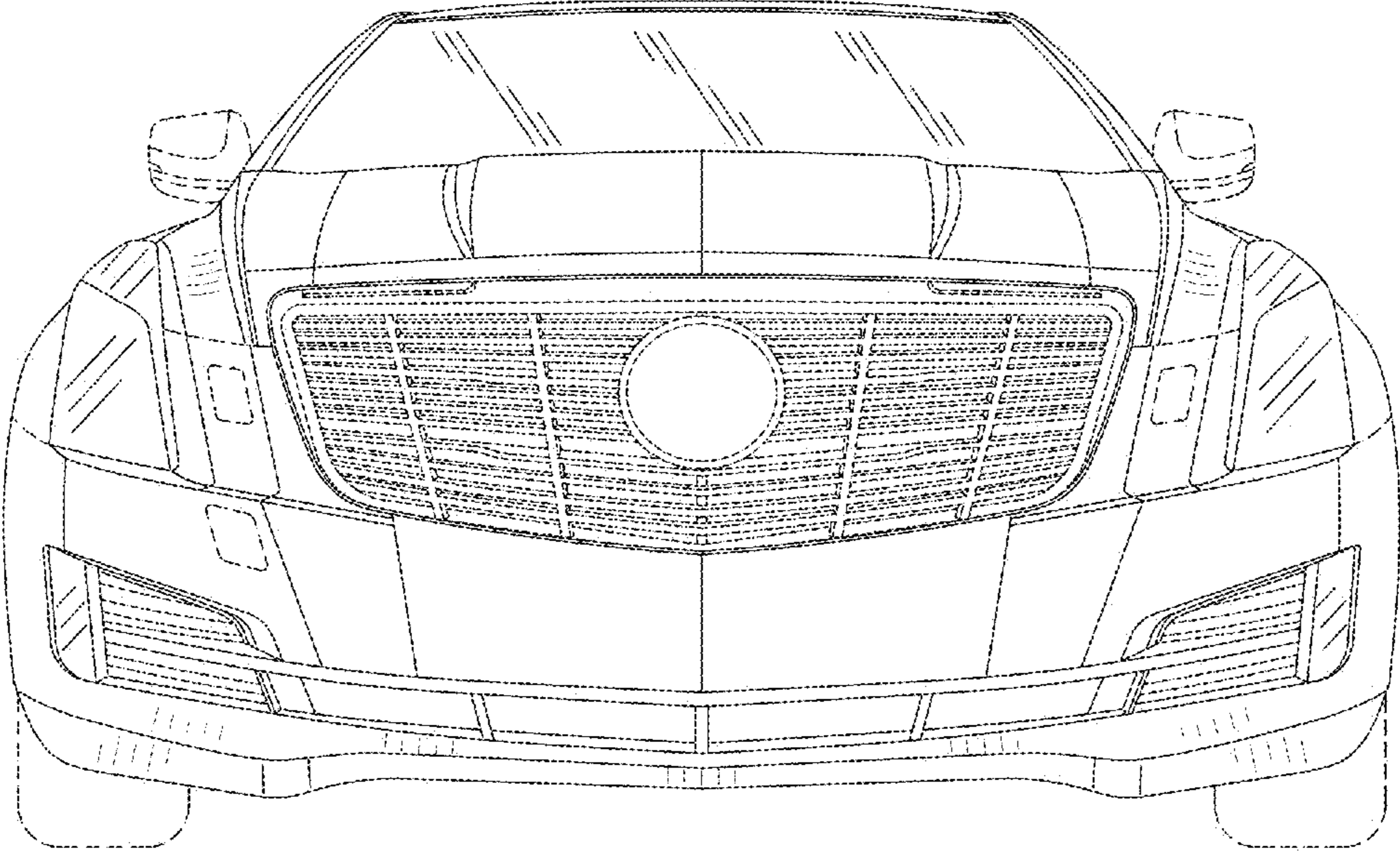


Fig-1

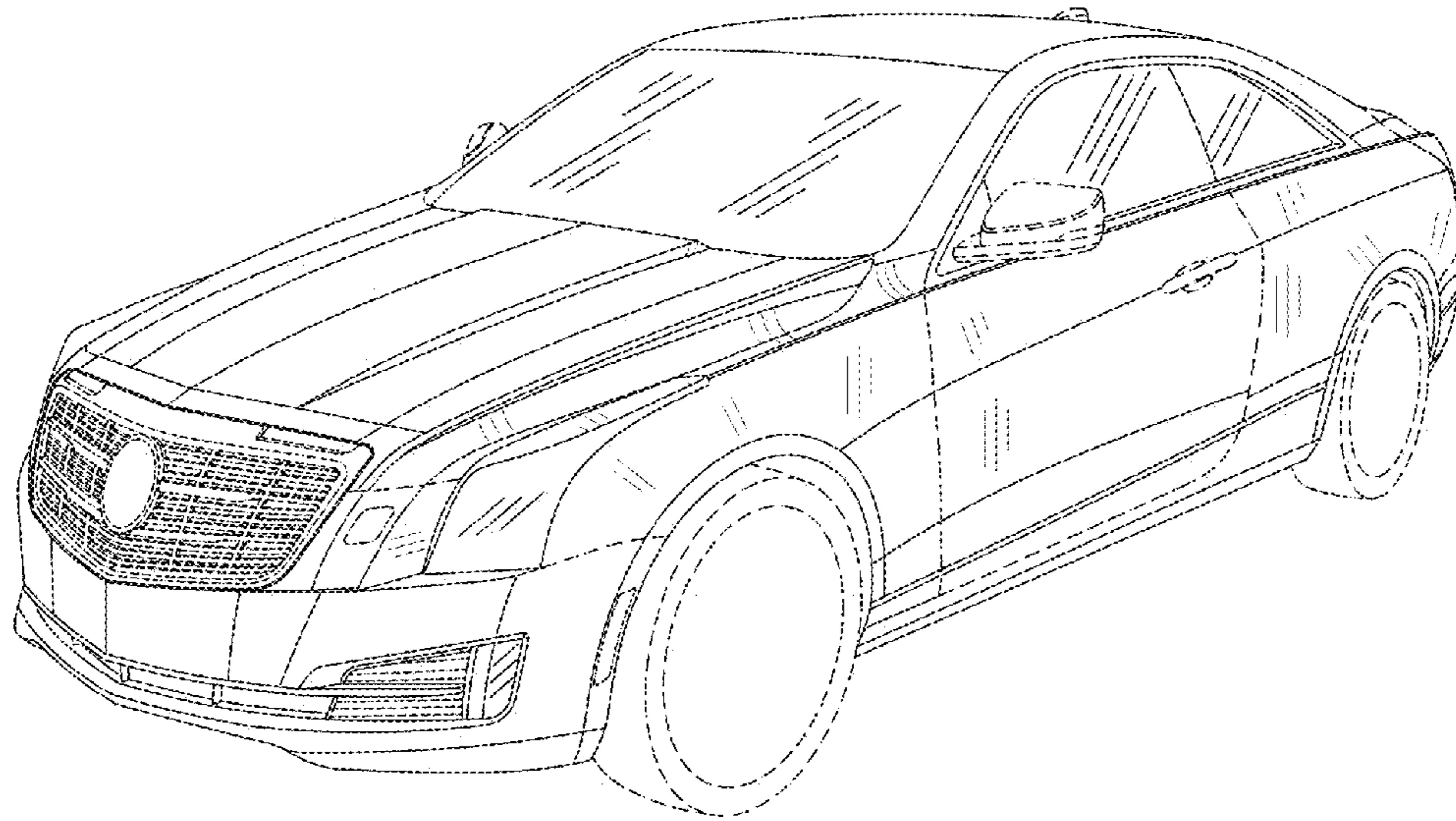


Fig-2

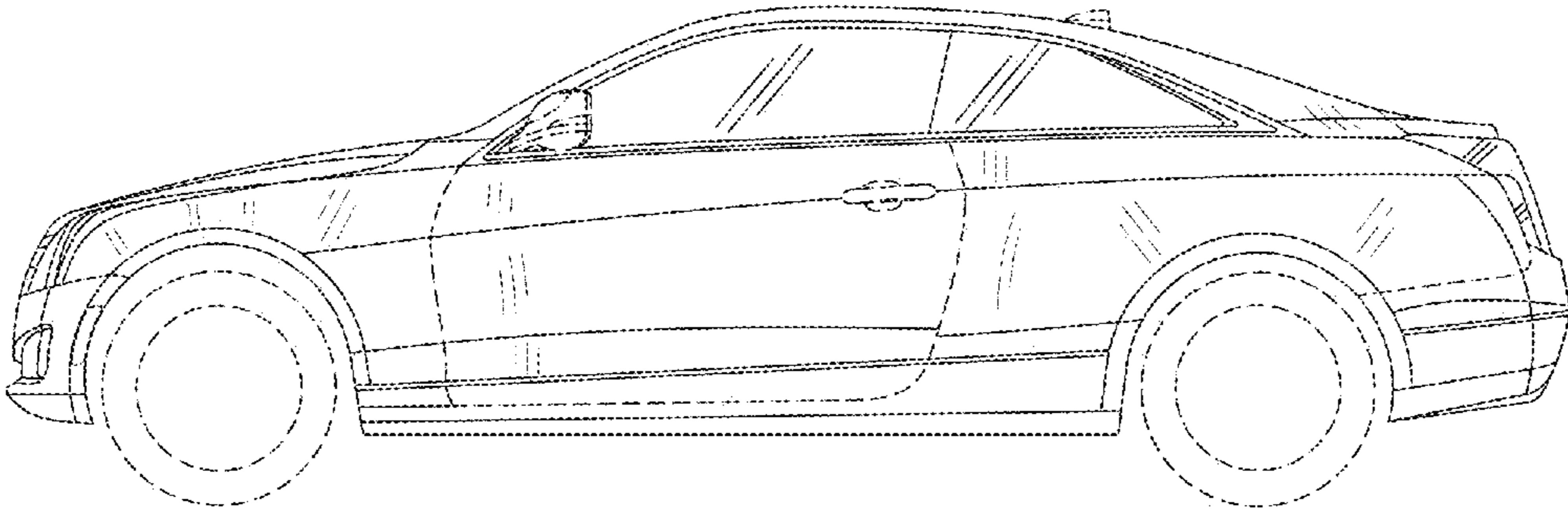


Fig-3

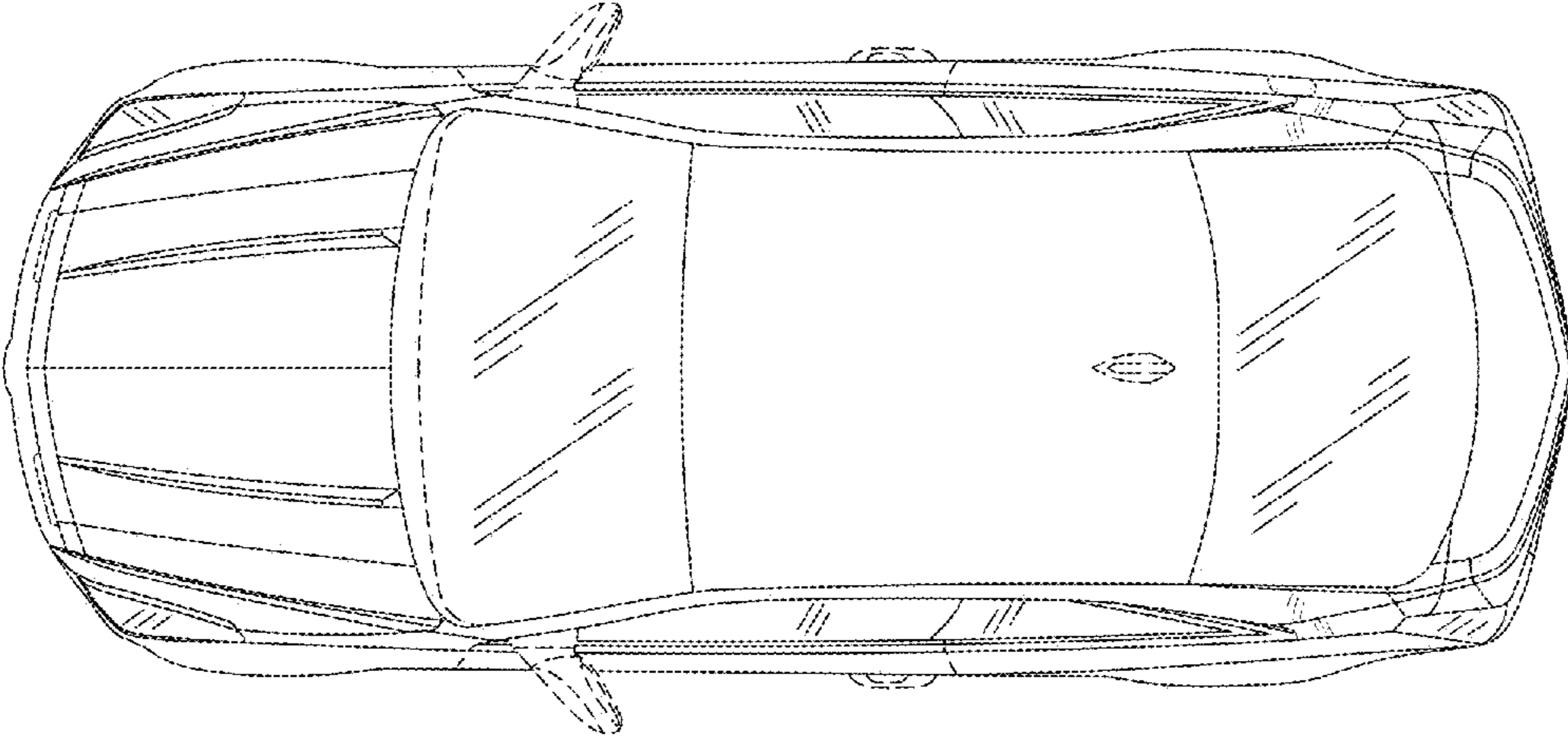


Fig-4

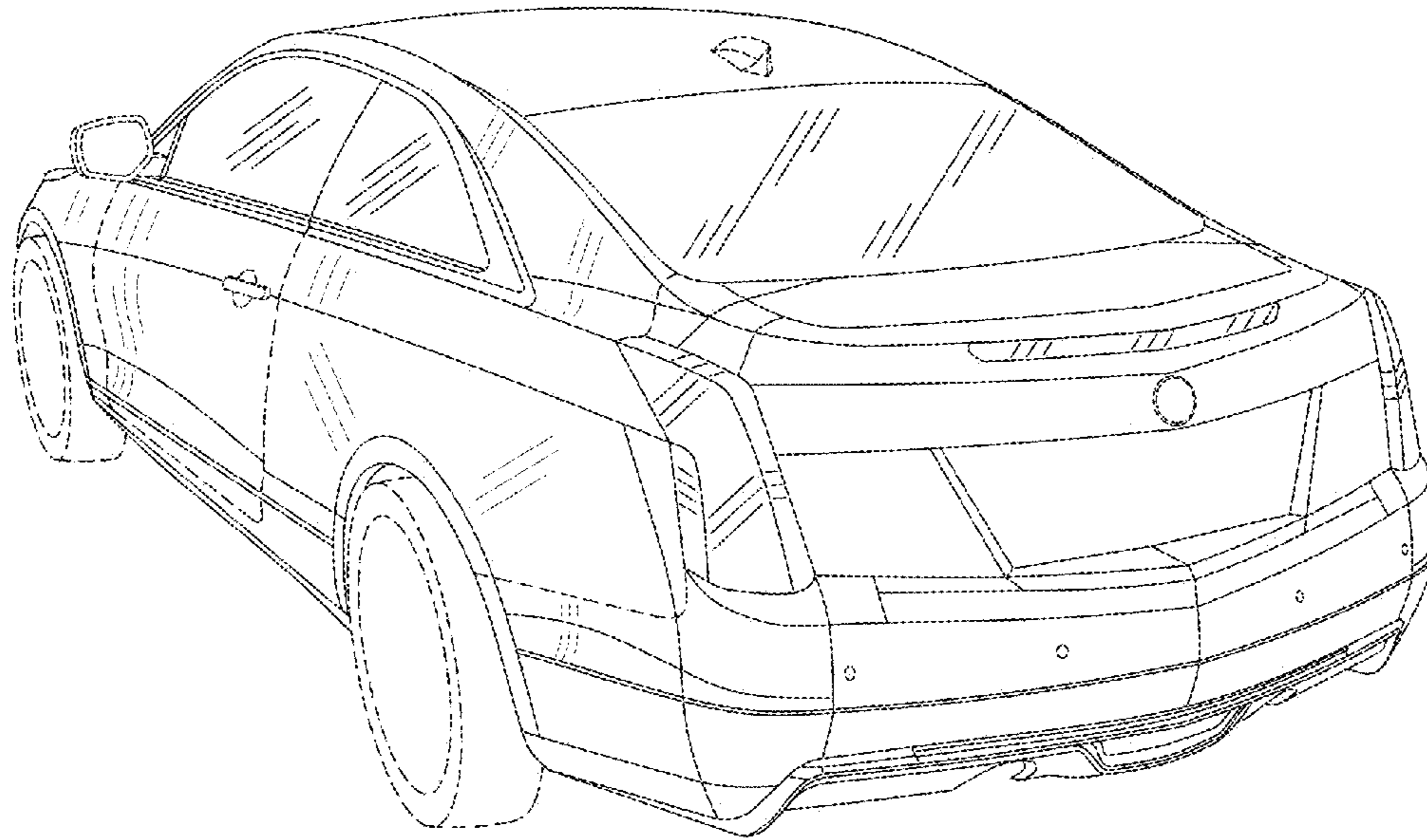


Fig-5

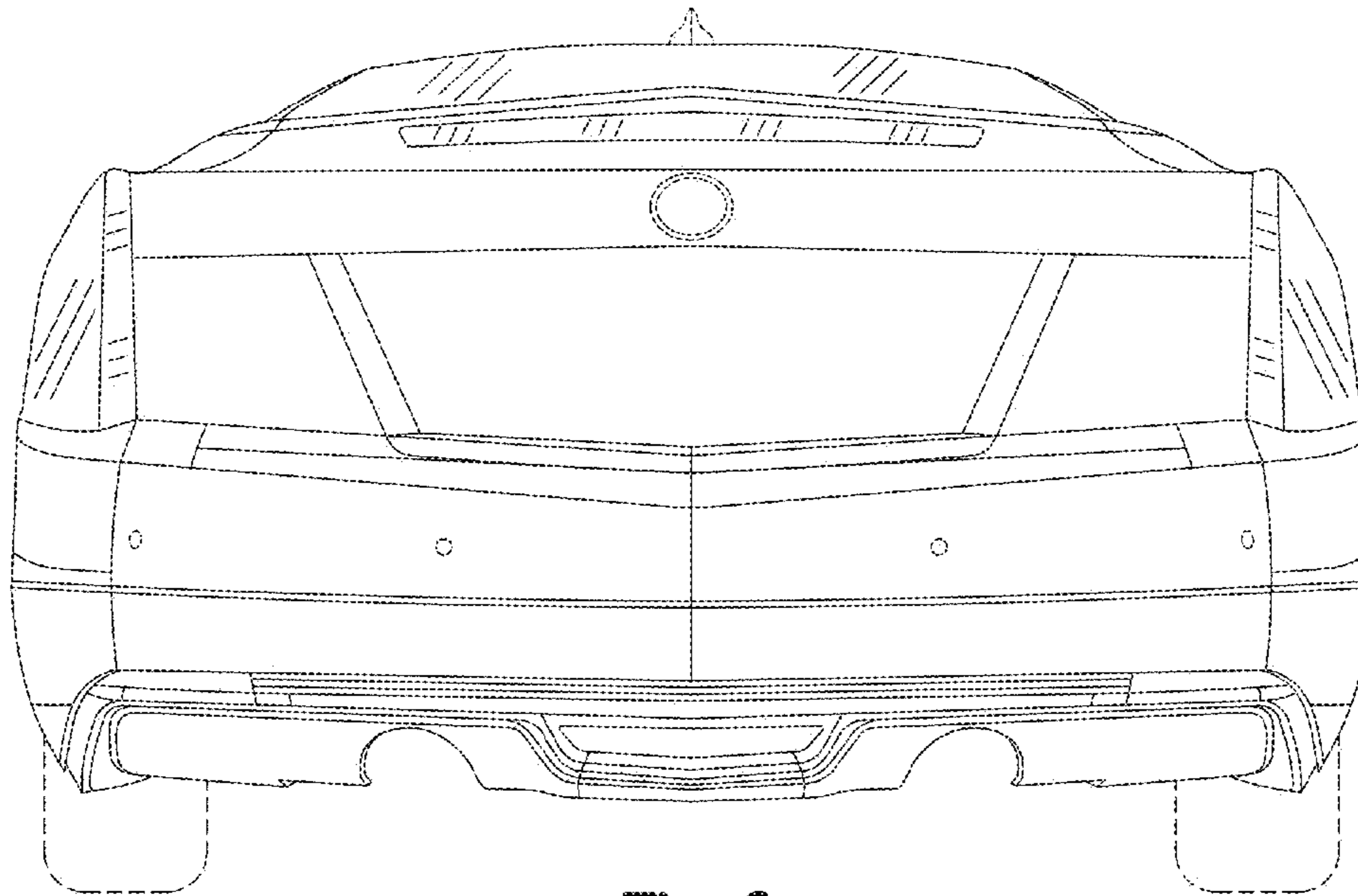


Fig-6