



US00D722533S

(12) **United States Design Patent**
Thole et al.

(10) **Patent No.:** **US D722,533 S**

(45) **Date of Patent:** **** Feb. 17, 2015**

(54) **VEHICLE BODY EXTERIOR**
(71) Applicant: **GM Global Technology Operations LLC**, Detroit, MI (US)
(72) Inventors: **Louis D. Thole**, Grosse Pointe Park, MI (US); **Marc A. Mainville**, Windsor (CA); **Hasan Zraikat**, Frankfurt am Main (DE); **Holger Koring**, Detroit, MI (US)

D605,978 S * 12/2009 Wolff et al. D12/91
D608,690 S 1/2010 Folden et al.
D608,691 S 1/2010 Zak, Jr. et al.
D609,608 S 2/2010 Boniface et al.
D611,387 S 3/2010 Thompson et al.
D613,645 S 4/2010 Son et al.
D615,458 S 5/2010 Thompson et al.
D627,262 S 11/2010 Ikeda et al.
D635,488 S 4/2011 Phipps
D644,147 S 8/2011 Suh et al.
D644,567 S 9/2011 Kozub
D668,182 S 10/2012 Franco et al.
D674,727 S * 1/2013 Karras et al. D12/92

(73) Assignee: **GM Global Technology Operations LLC**, Detroit, MI (US)

(Continued)

(**) Term: **14 Years**

(21) Appl. No.: **29/477,931**

(22) Filed: **Dec. 30, 2013**

(51) **LOC (10) Cl.** **12-08**

(52) **U.S. Cl.**
USPC **D12/91**

(58) **Field of Classification Search**
CPC B62D 35/00
USPC D12/86, 90-92; D21/421, 433, 434;
296/181.1, 181.5

See application file for complete search history.

(56) **References Cited**

U.S. PATENT DOCUMENTS

D591,201 S * 4/2009 Granlund D12/91
D592,105 S 5/2009 Dean et al.
D592,549 S * 5/2009 Zak et al. D12/91
D592,550 S * 5/2009 Lawlis D12/91
D592,551 S * 5/2009 Manoogian et al. D12/91
D597,447 S 8/2009 Folden
D605,082 S * 12/2009 Munson D12/86
D605,083 S * 12/2009 Manoogian et al. D12/86
D605,803 S 12/2009 Mancogian, II et al.
D605,977 S 12/2009 Zipfel et al.

OTHER PUBLICATIONS

Design U.S. Appl. No. 29/416,870, filed Mar. 28, 2012; First Named Inventor: Joshua L. Thurber; Title: Vehicle Body.

Design U.S. Appl. No. 29/428,494, filed Jul. 31, 2012; First Named Inventor: Morio Ikeda; Title: Vehicle Body Exterior.

(Continued)

Primary Examiner — Melody N Brown

(74) *Attorney, Agent, or Firm* — Lionel D. Anderson; Reising Ethington P.C.

(57) **CLAIM**

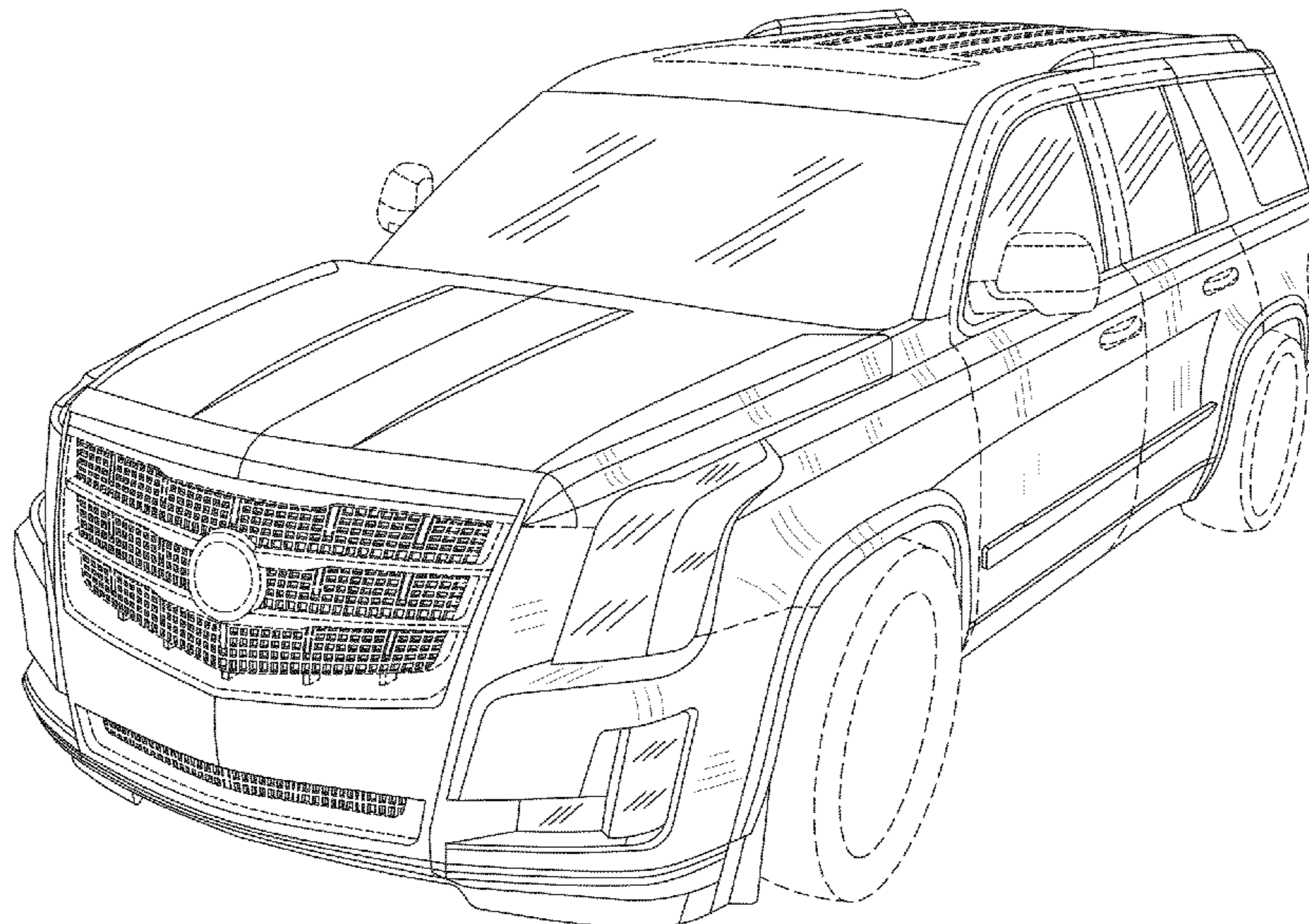
The ornamental design for a vehicle body exterior, as shown and described.

DESCRIPTION

FIG. 1 is a front perspective view of the vehicle body exterior; FIG. 2 is a front and left side perspective view thereof; FIG. 3 is a left side elevation view thereof (where the right side elevation view is a mirror image with the exception of the broken lines depicting the gas cap); FIG. 4 is a top plan view thereof; FIG. 5 is a rear and left side perspective view thereof; and, FIG. 6 is a rear perspective view thereof.

The broken lines shown in the drawings depict portions of the vehicle body exterior that form no part of the claimed design.

1 Claim, 6 Drawing Sheets



(56)

References Cited

OTHER PUBLICATIONS

U.S. PATENT DOCUMENTS

D678,820 S 3/2013 Son et al.
D678,821 S 3/2013 Ikeda et al.
D680,909 S * 4/2013 Munson et al. D12/92
D686,536 S 7/2013 McCabe et al.
D704,103 S * 5/2014 Mack et al. D12/92

Design U.S. Appl. No. 29/466,855, filed Sep. 12, 2013; First Named
Inventor: Louis D. Thole; Title: Vehicle Body Exterior.
Design U.S. Appl. No. 29/466,859, filed Sep. 12, 2013; First Named
Inventor: Louis D. Thole; Title: Vehicle Body Exterior.

* cited by examiner

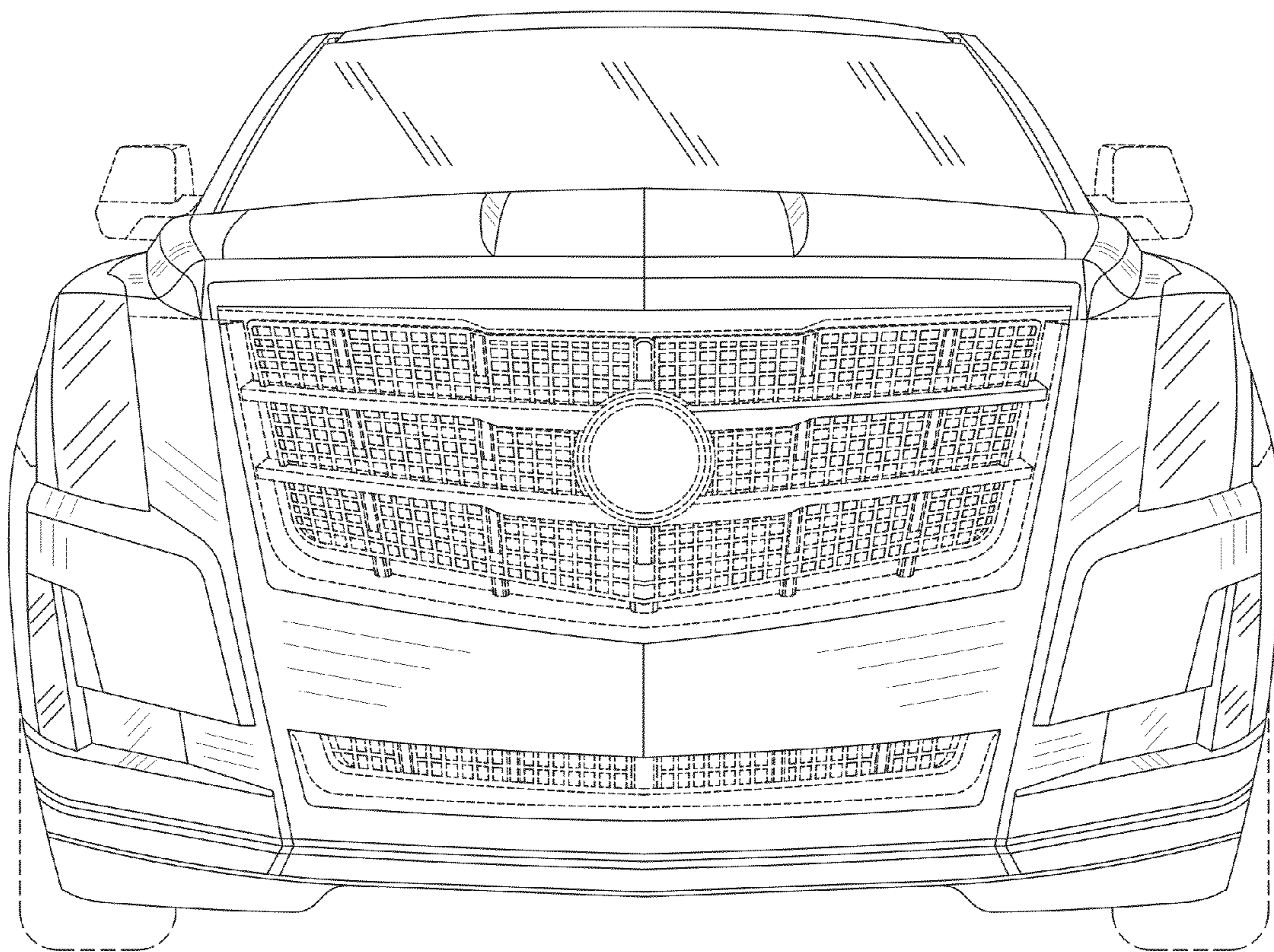


Fig-1

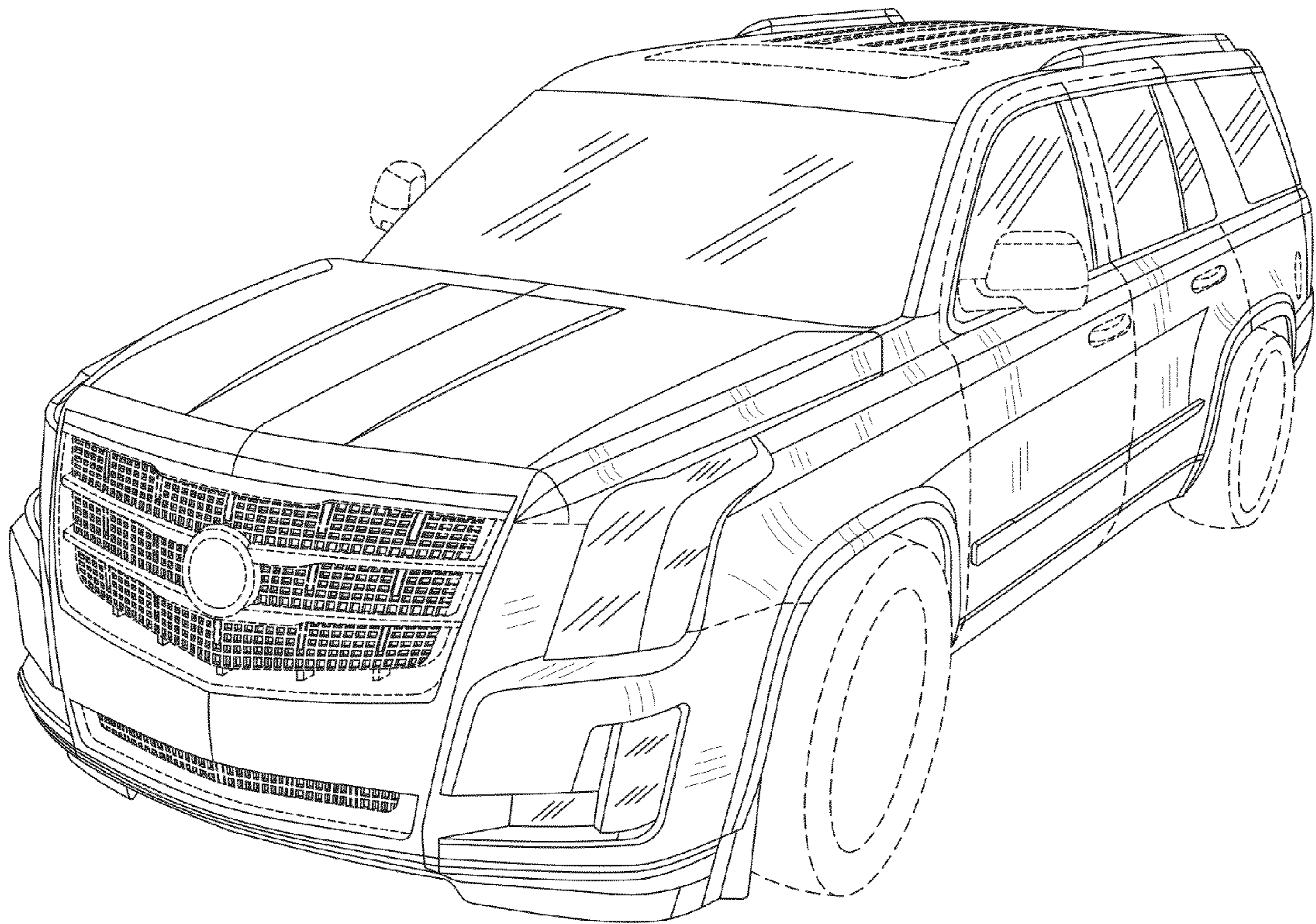


Fig-2

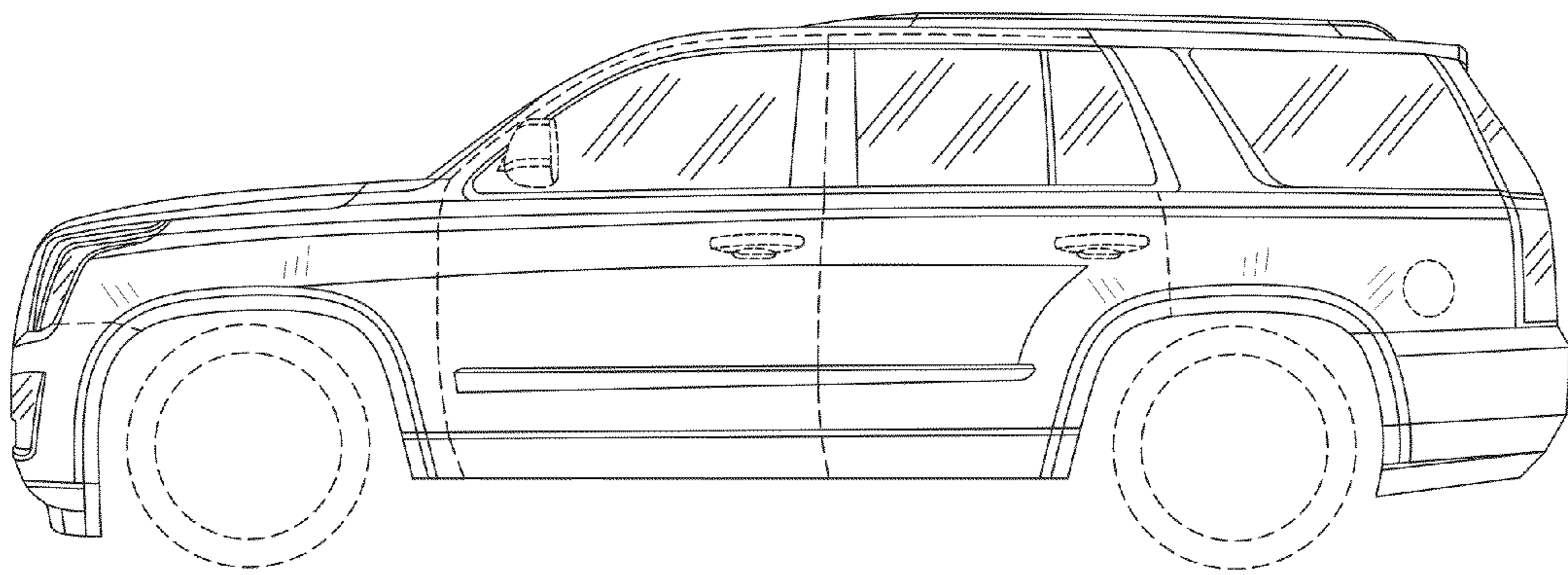


Fig-3

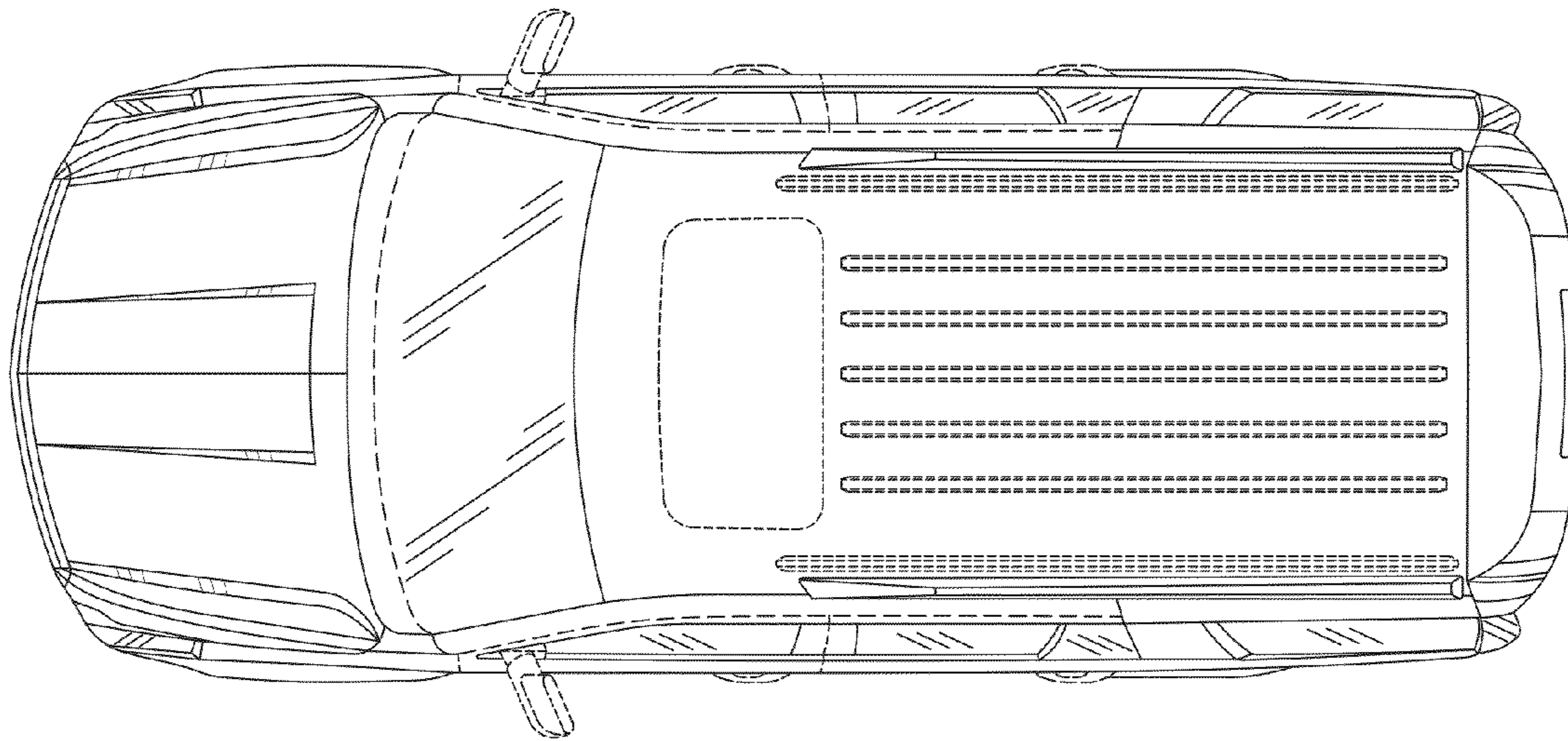


Fig-4

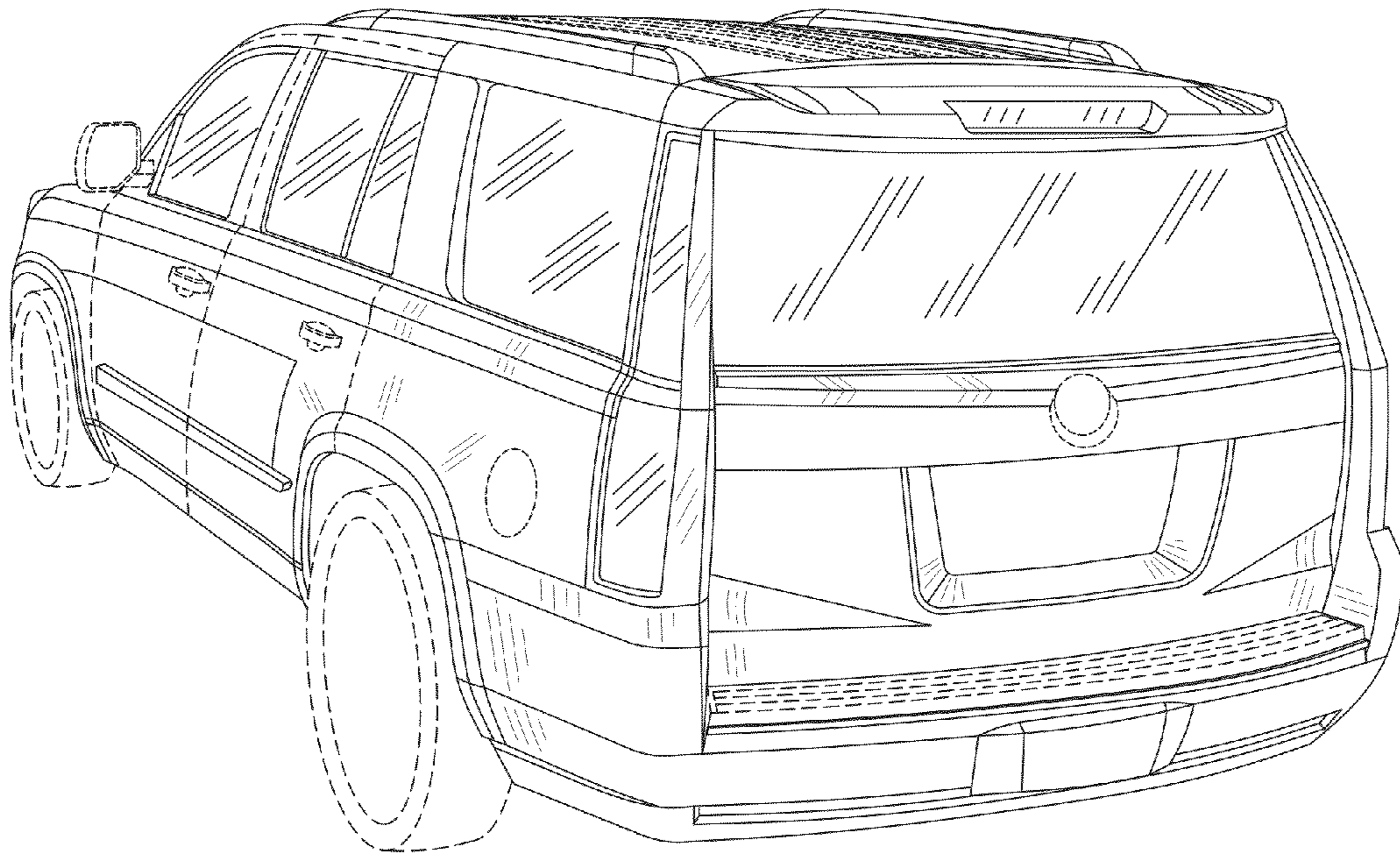


Fig-5

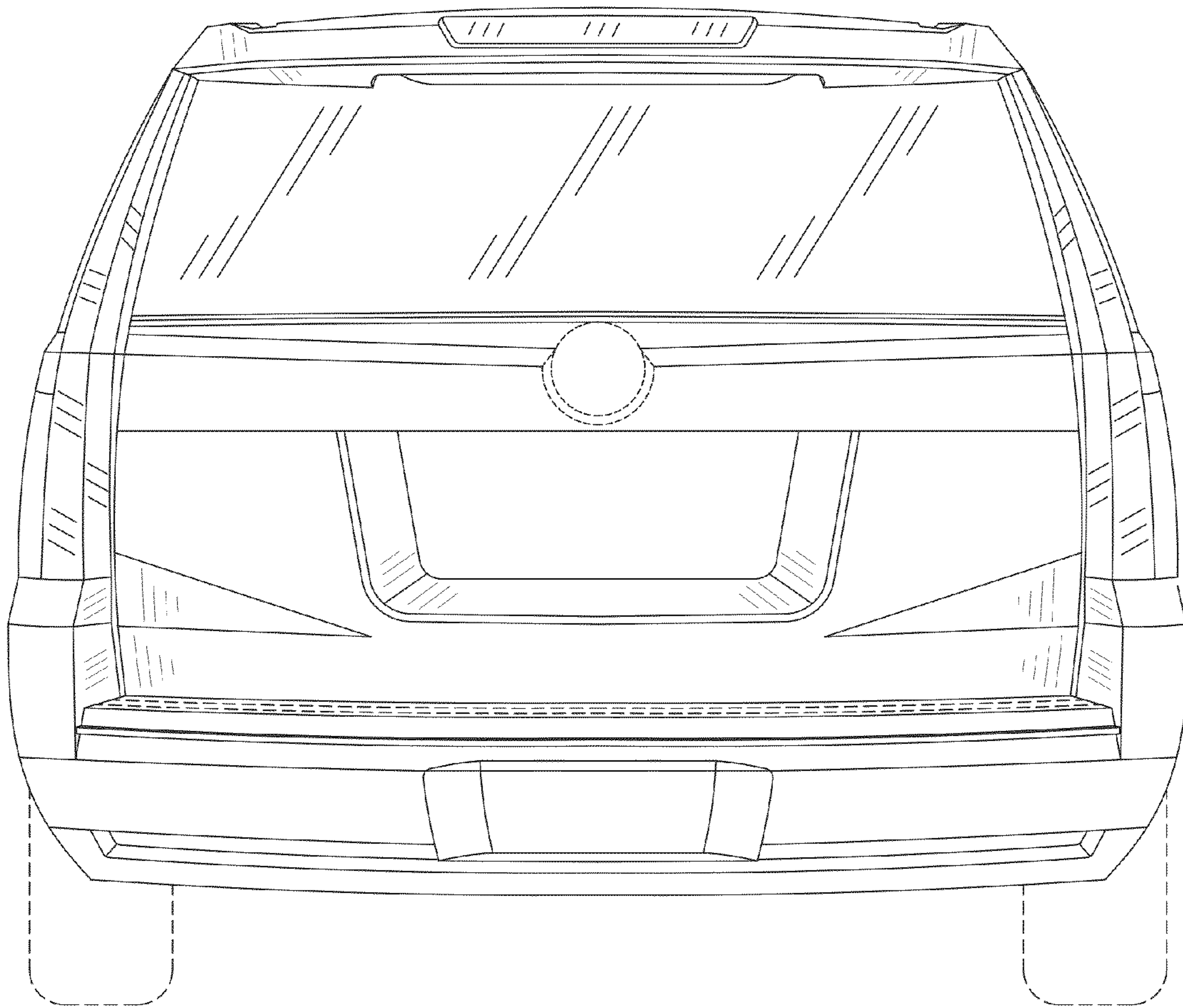


Fig-6