



US00D722531S

(12) **United States Design Patent**  
**Pier et al.**

(10) **Patent No.:** **US D722,531 S**

(45) **Date of Patent:** **\*\* Feb. 17, 2015**

(54) **OUTSIDE BUMPER FOR A RAIL FASTENER ORIENTER**

(56) **References Cited**

U.S. PATENT DOCUMENTS

(71) Applicant: **Nordco Inc.**, Oak Creek, WI (US)

5,839,377 A \* 11/1998 Brenny et al. .... 104/17.2

6,138,573 A \* 10/2000 Brenny et al. .... 104/17.2

D711,285 S \* 8/2014 Pier et al. .... D12/49

2013/0186296 A1\* 7/2013 Pier et al. .... 104/17.1

(72) Inventors: **Michael Thomas Pier**, Fox Point, WI (US); **Daniel Edward Van Ert**, Franklin, WI (US); **Justin Jerome Pipol**, Union Grove, WI (US); **James William Boyd**, New Berlin, WI (US)

\* cited by examiner

*Primary Examiner* — T. Chase Nelson

*Assistant Examiner* — Ania Aman

(74) *Attorney, Agent, or Firm* — Greer, Burns & Crain, Ltd.

(73) Assignee: **Nordco Inc.**, Oak Creek, WI (US)

(57) **CLAIM**

The ornamental design for an outside bumper for a rail fastener orienter, as shown and described.

(\*\*) Term: **14 Years**

**DESCRIPTION**

(21) Appl. No.: **29/441,646**

FIG. 1 is a top perspective view of the present outside bumper for a rail fastener orienter;

FIG. 2 is a front view of same;

FIG. 3 is a rear view of the bumper of FIG. 1;

FIG. 4 is a bottom view of same;

FIG. 5 is a top view of the bumper of FIG. 1;

FIG. 6 is a left side view of same; and,

FIG. 7 is a right side view of same.

(22) Filed: **Jan. 8, 2013**

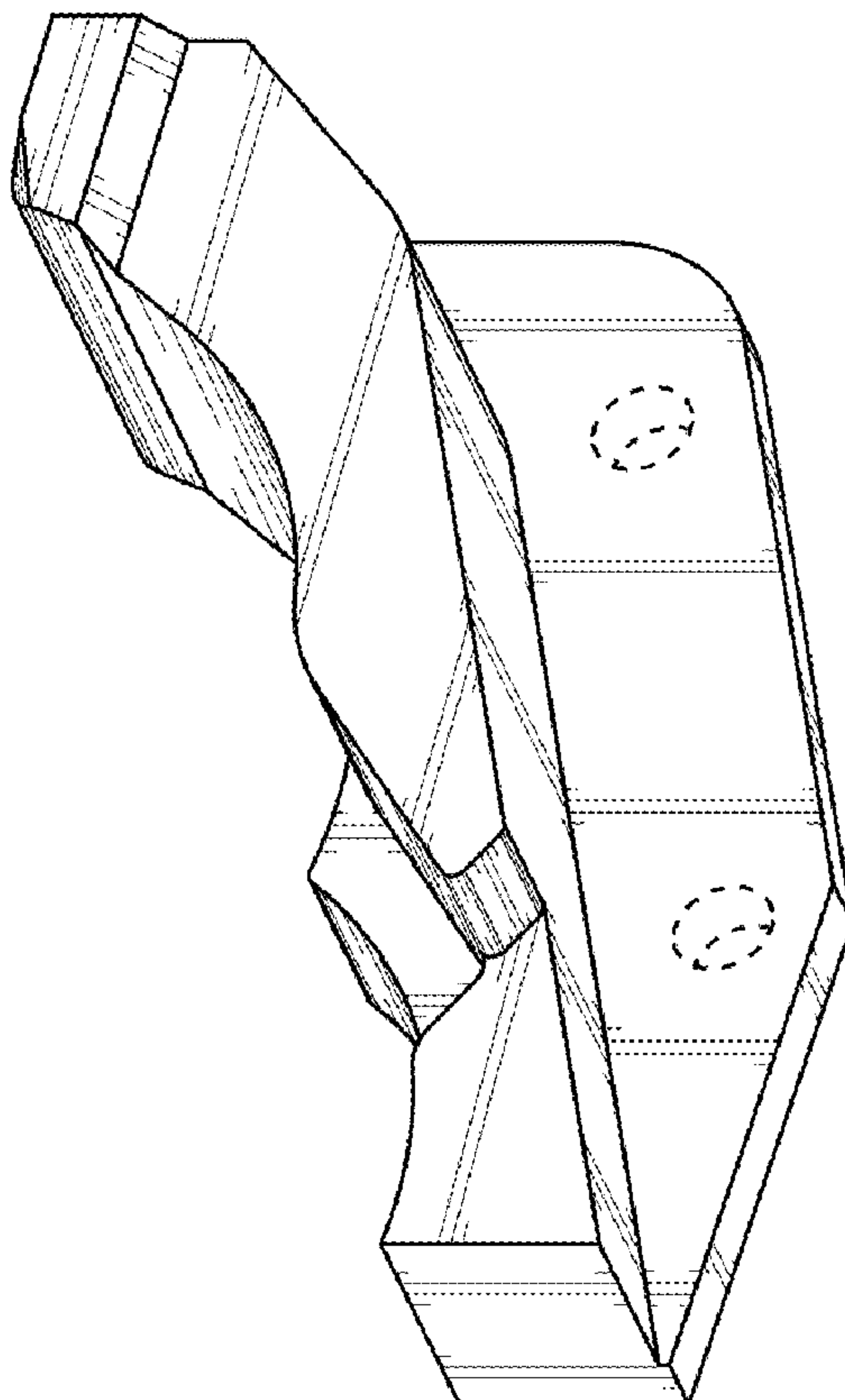
The structure shown in broken lines is for environment purposes only and does not form part of the claimed invention.

(51) **LOC (10) Cl.** ..... **12-03**

(52) **U.S. Cl.**  
USPC ..... **D12/49**

(58) **Field of Classification Search**  
USPC ..... 238/349, 310; D12/36-51; 198/400  
See application file for complete search history.

**1 Claim, 3 Drawing Sheets**



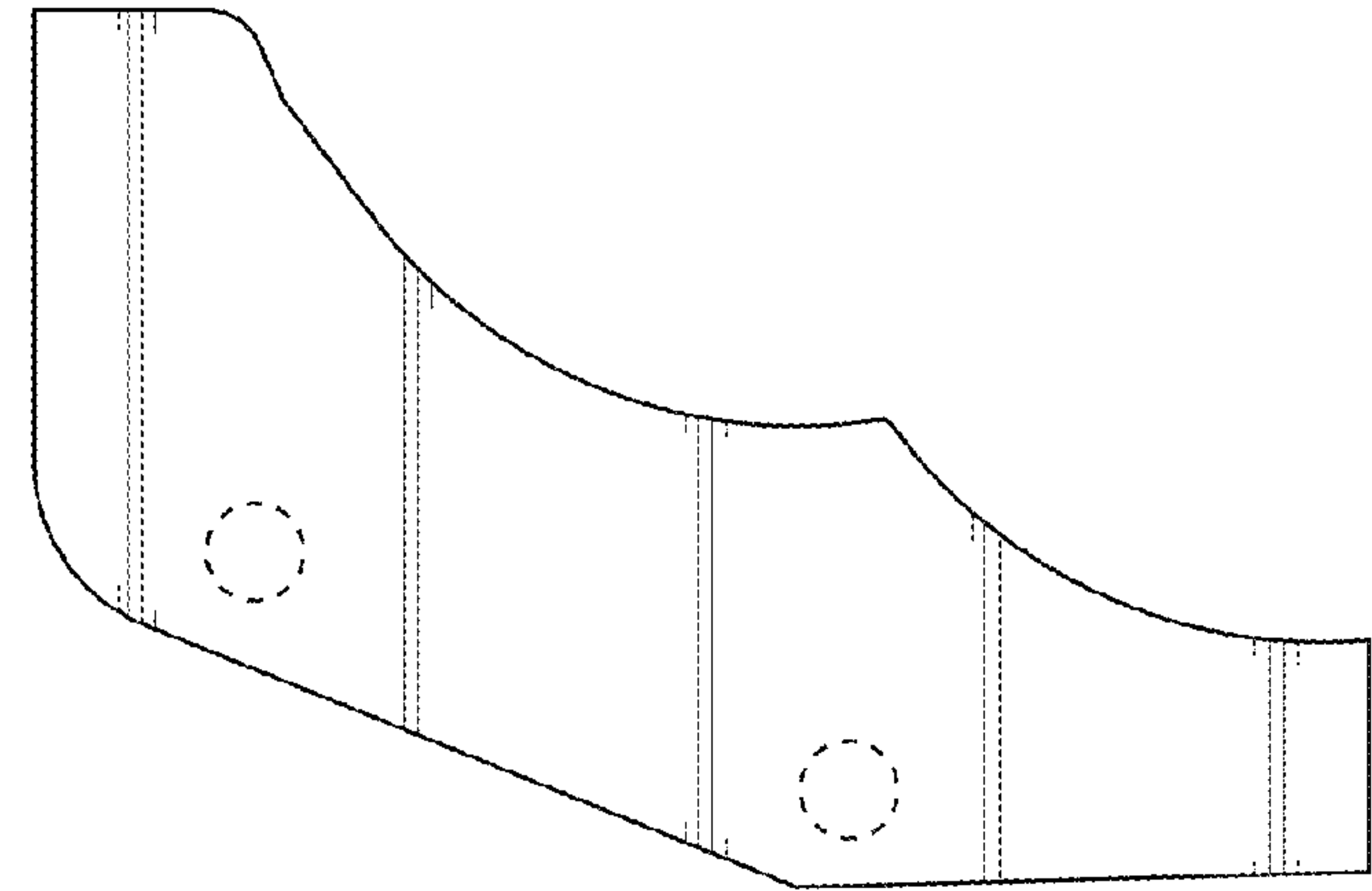


FIG. 3

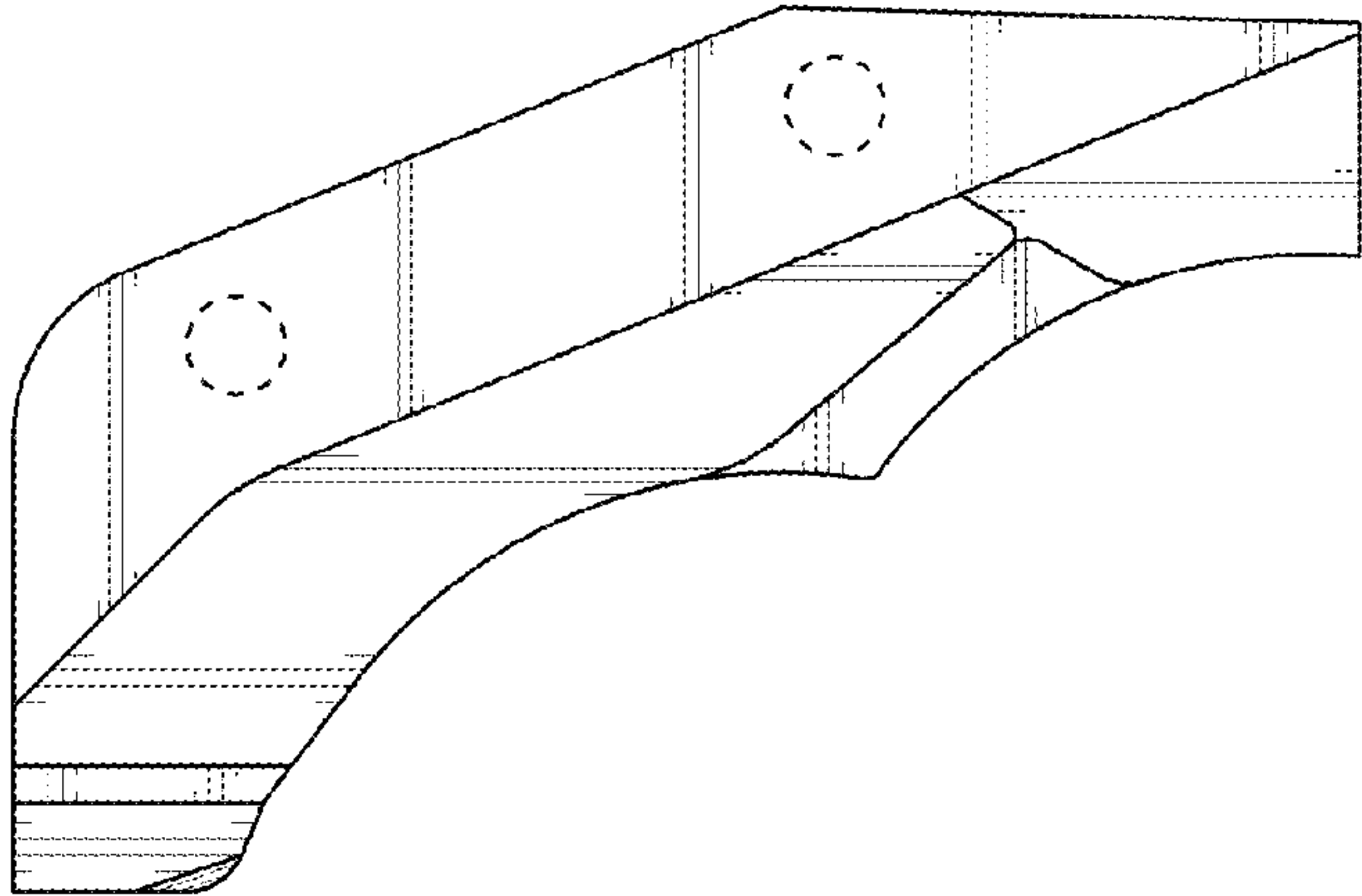


FIG. 2

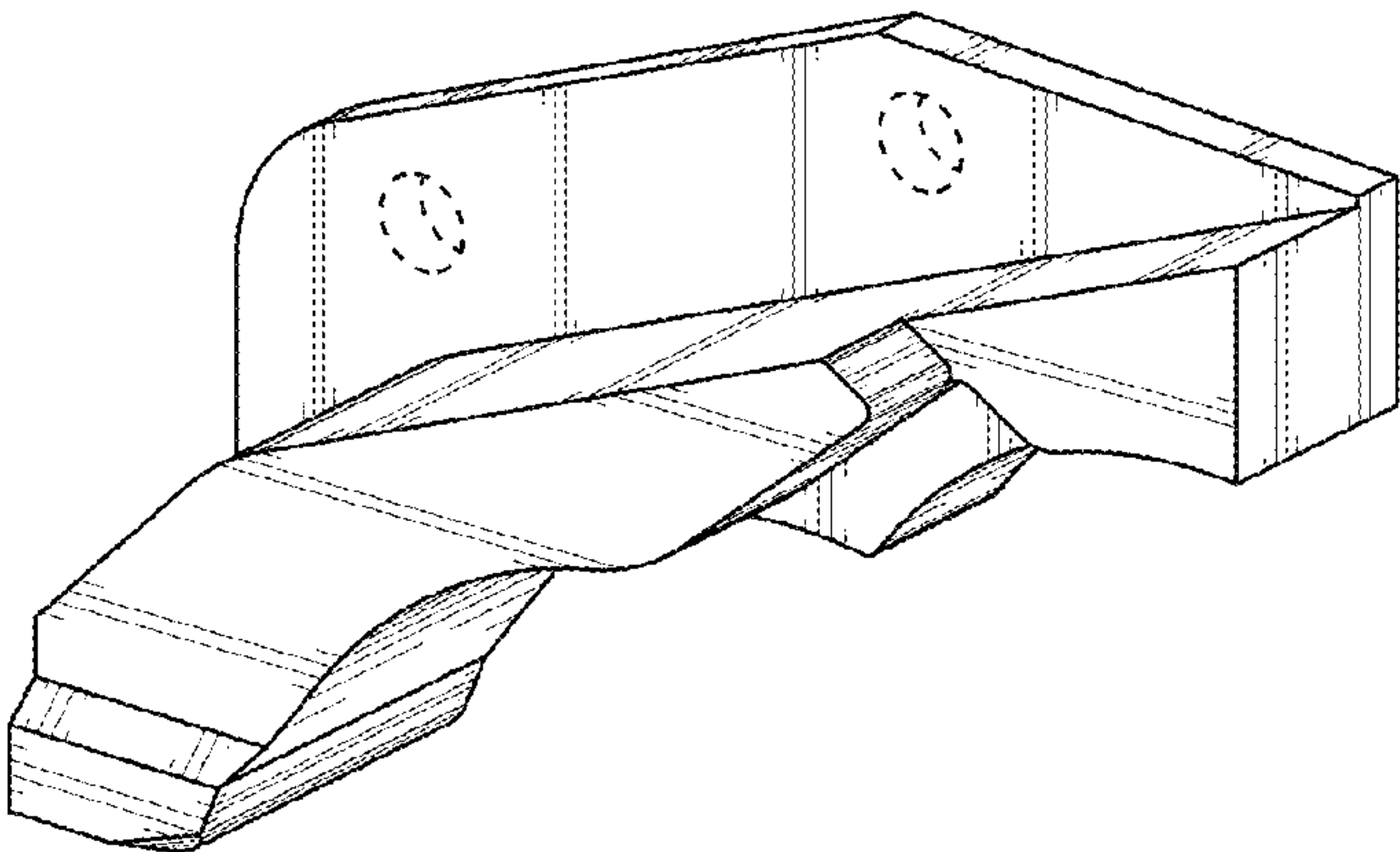


FIG. 1

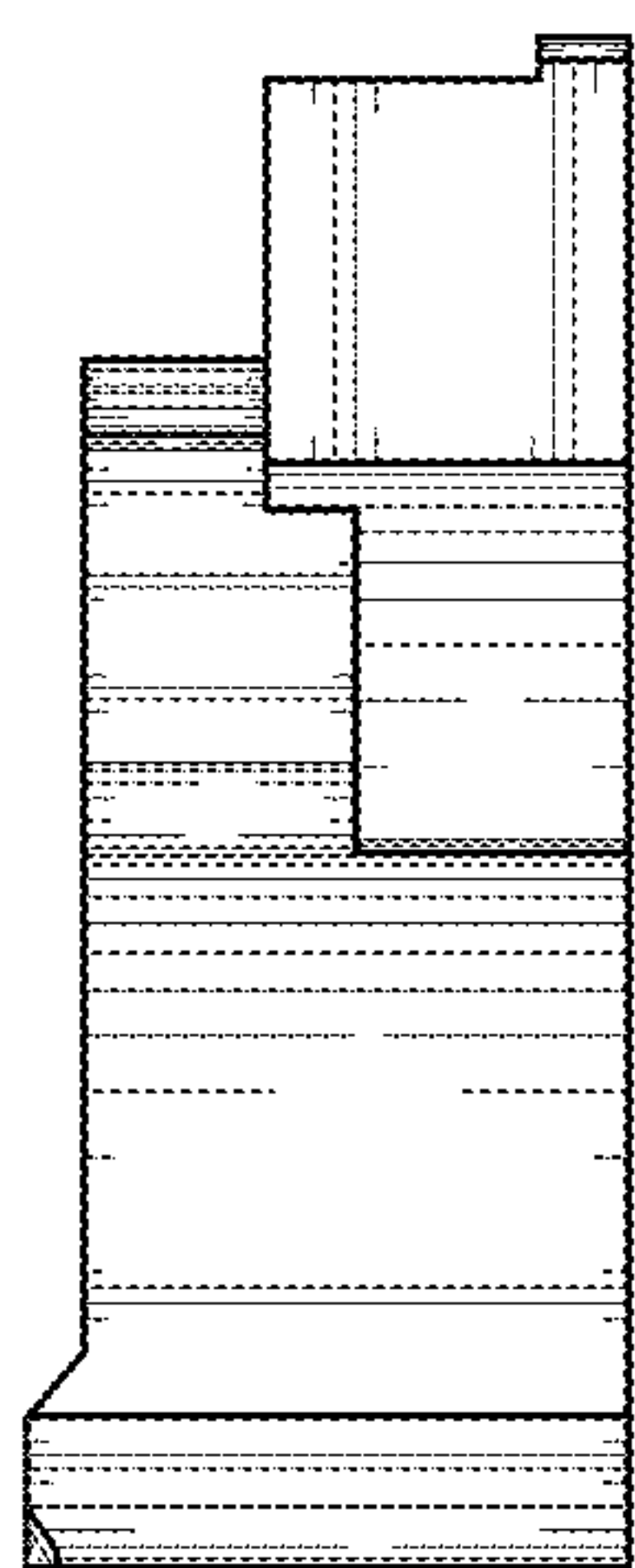


FIG. 4

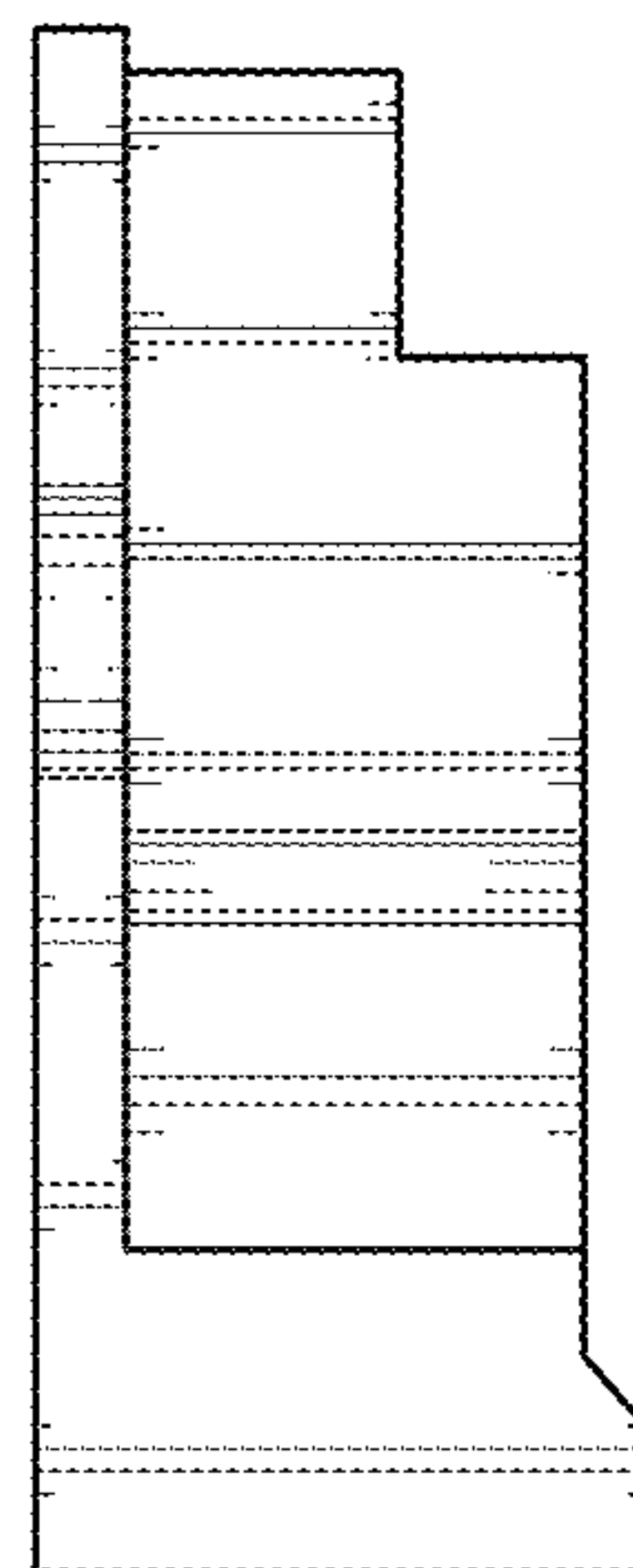


FIG. 5

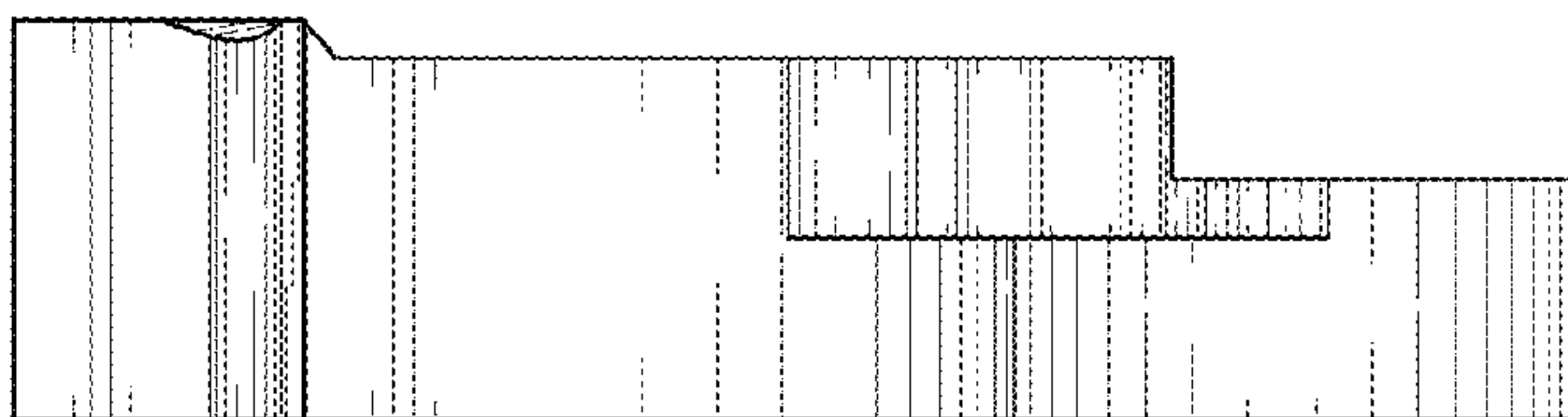


FIG. 6

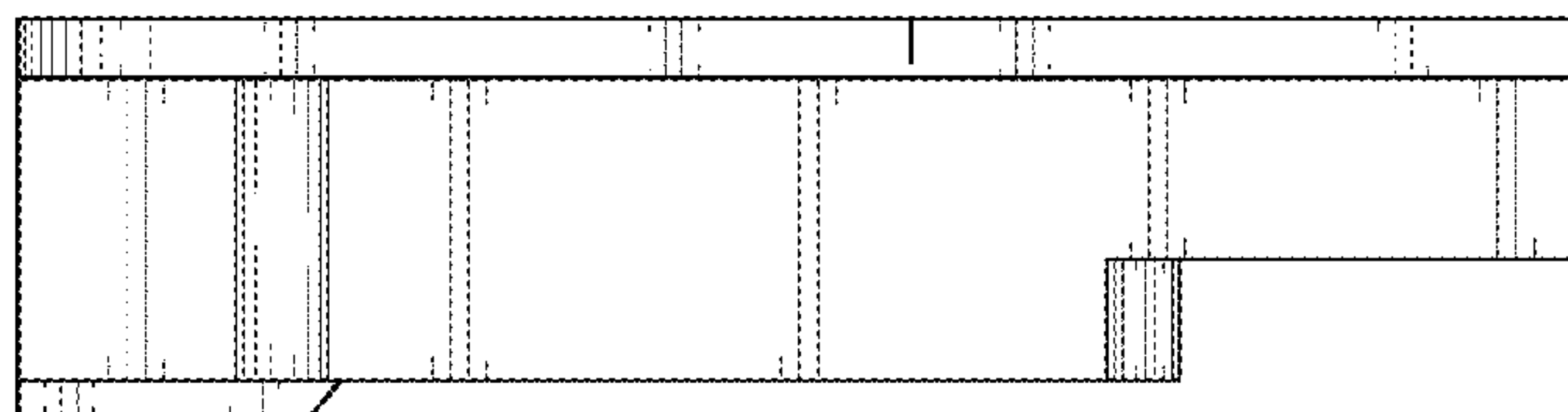


FIG. 7