



US00D722529S

(12) **United States Design Patent**
de Sade

(10) **Patent No.:** **US D722,529 S**

(45) **Date of Patent:** **** Feb. 17, 2015**

(54) **CLASP RETAINER**

(71) Applicant: **Cartier Creation Studio S.A.**, Geneva
(CH)

(72) Inventor: **Donatien de Sade**, Paris (FR)

(73) Assignee: **Cartier Creation Studio S.A.** (CH)

(**) Term: **14 Years**

(21) Appl. No.: **29/481,171**

(22) Filed: **Feb. 3, 2014**

(30) **Foreign Application Priority Data**

Aug. 2, 2013 (EM) 002286336

(51) **LOC (10) Cl.** **02-07**

(52) **U.S. Cl.**
USPC **D11/200**

(58) **Field of Classification Search**
CPC A44B 11/26
USPC D11/1-2, 200-201, 206-210, 214-218;
24/163 R, 169-171, 173, 177-179, 191,
24/194-195, 197, 200, 614-616, 625,
24/198; D8/349

See application file for complete search history.

(56) **References Cited**

U.S. PATENT DOCUMENTS

1,988,890 A *	1/1935	Fenton	24/200
D111,854 S *	10/1938	Kratz	D11/201
2,893,094 A *	7/1959	Heckethorn	24/588.11
3,102,317 A *	9/1963	Cadley	24/664
3,276,181 A *	10/1966	Gilbert	52/633
D263,260 S *	3/1982	Heil	D11/210
D594,381 S *	6/2009	Gurule	D11/212
D637,942 S *	5/2011	Lee et al.	D11/218
D640,169 S *	6/2011	Girbaud et al.	D11/200
D667,753 S *	9/2012	Nanbu et al.	D11/218

* cited by examiner

Primary Examiner — Ralf Seifert

(74) *Attorney, Agent, or Firm* — Cantor Colburn LLP

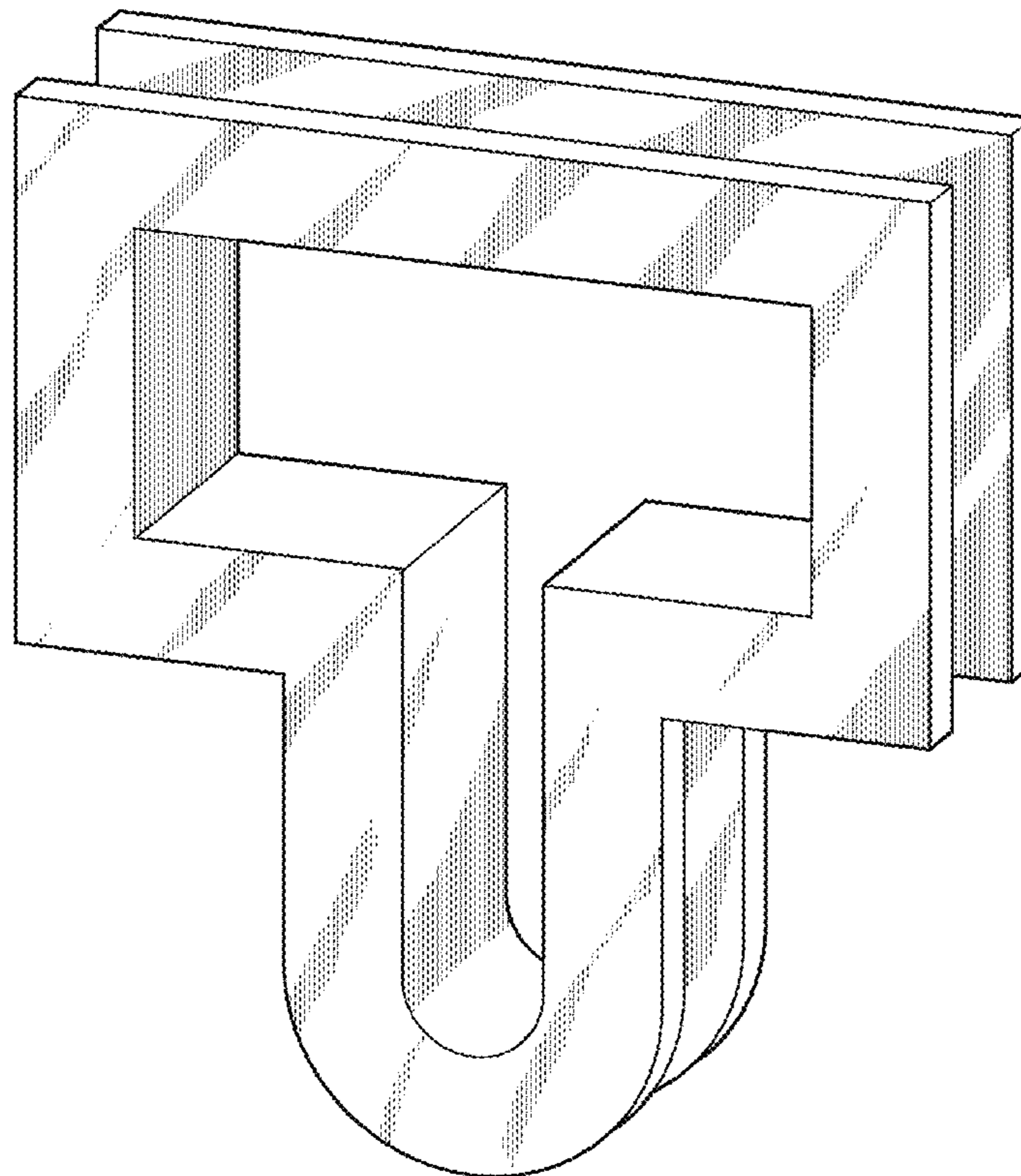
(57) **CLAIM**

I claim, the ornamental design for a clasp retainer, as shown and described.

DESCRIPTION

FIG. 1 is a front elevation view of a clasp retainer, showing my new design;
FIG. 2 is a rear elevation view thereof;
FIG. 3 is a side elevation view thereof;
FIG. 4 is an opposite side elevation view thereof;
FIG. 5 is a top plan view thereof;
FIG. 6 is a bottom plan view thereof; and,
FIG. 7 is a perspective view thereof.

1 Claim, 7 Drawing Sheets



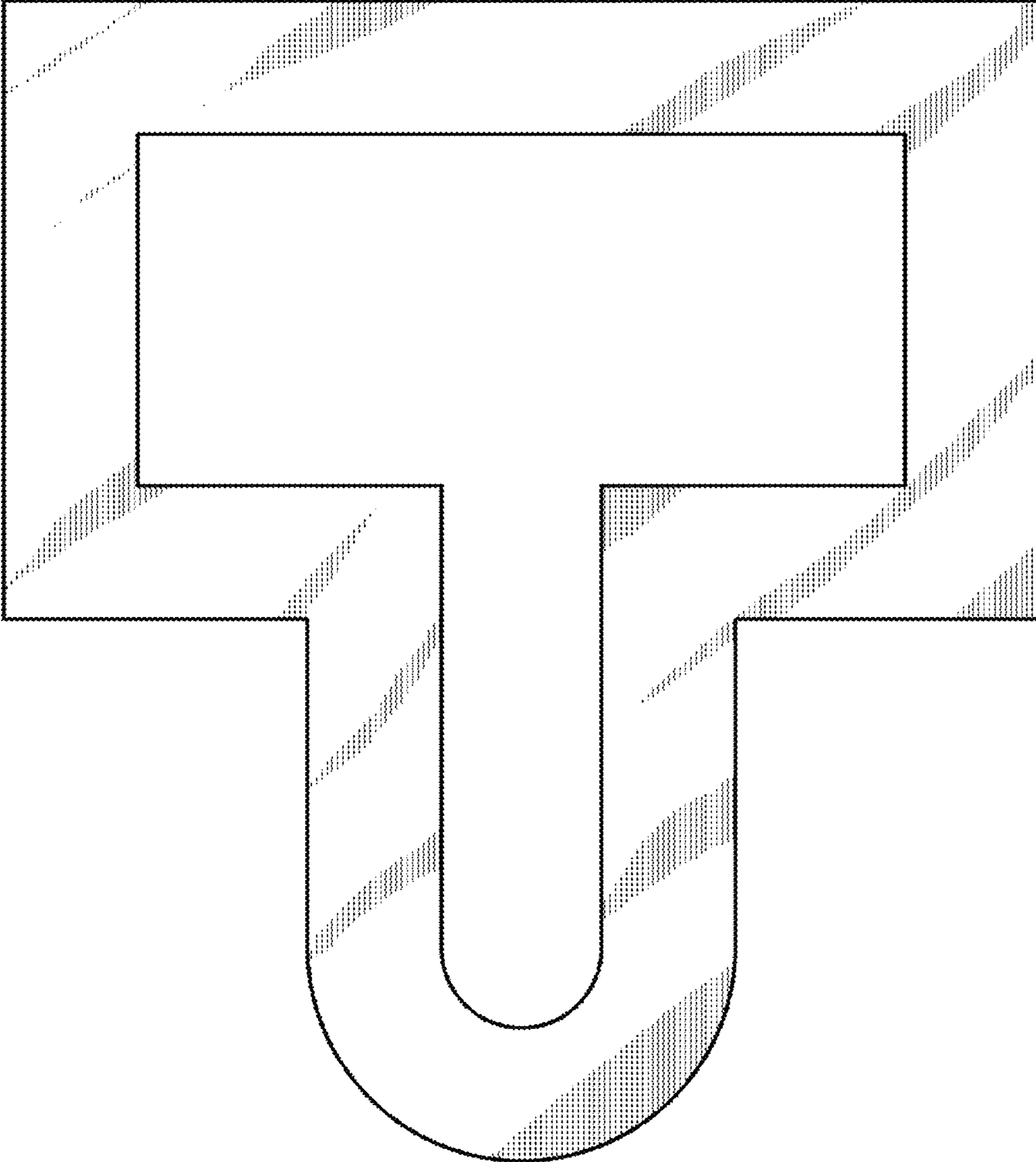


FIG. 1

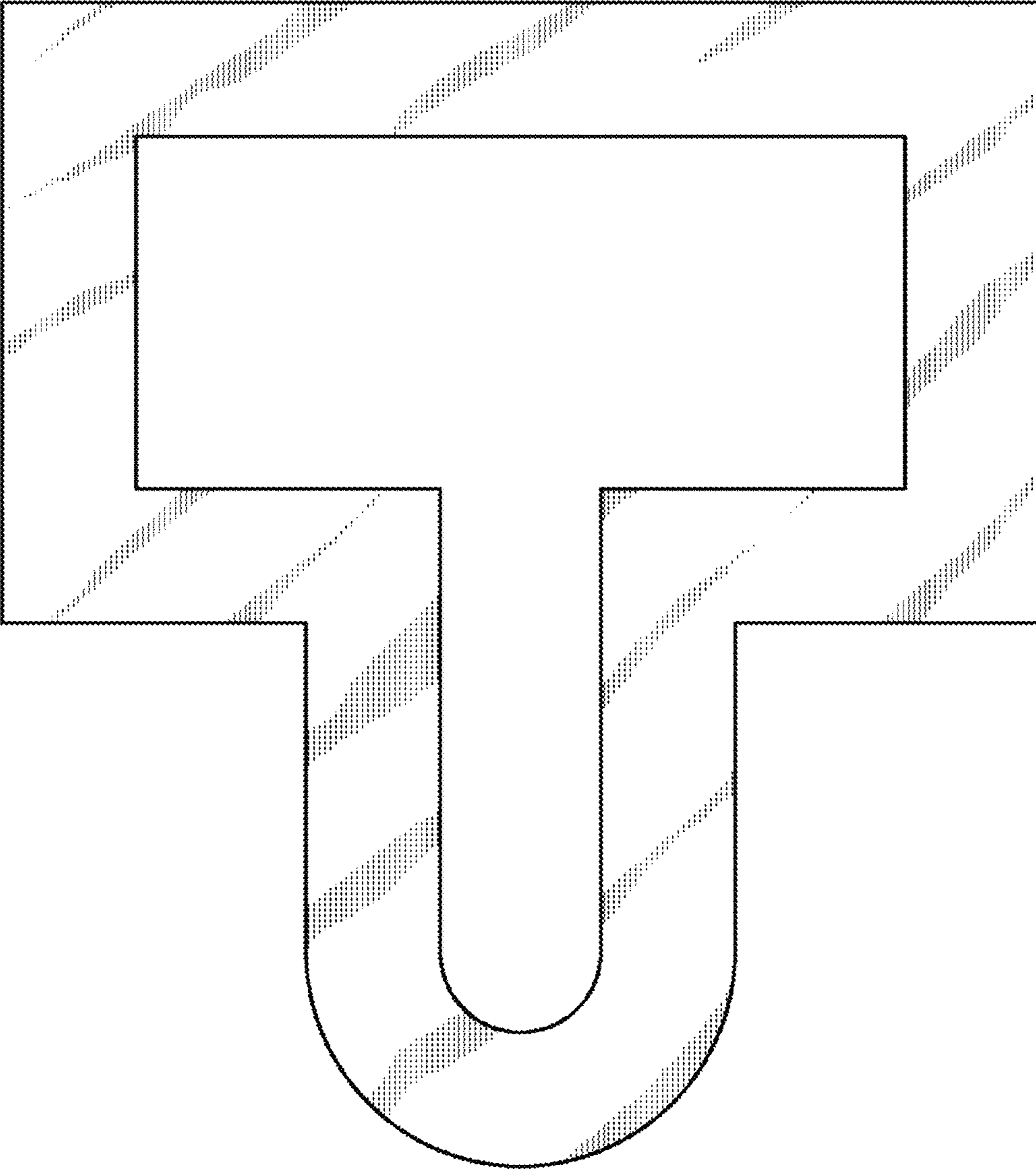


FIG.2

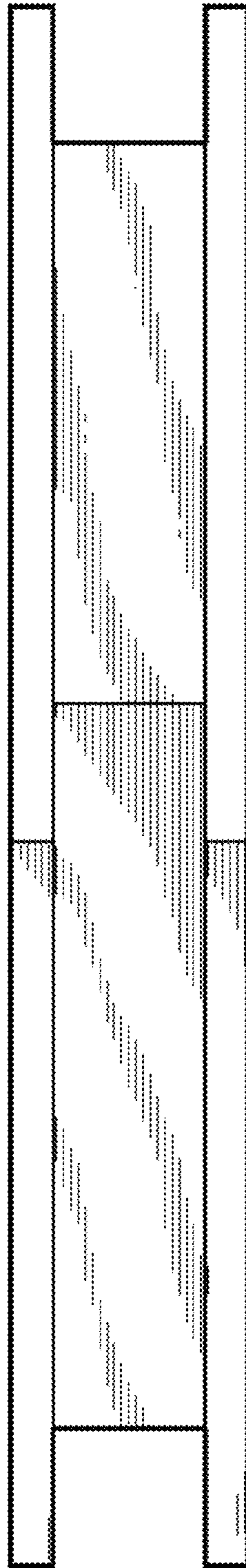


FIG.3

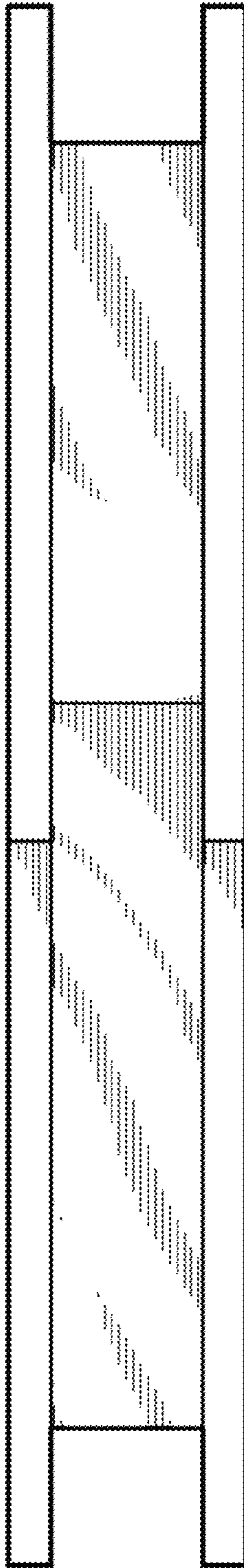


FIG.4

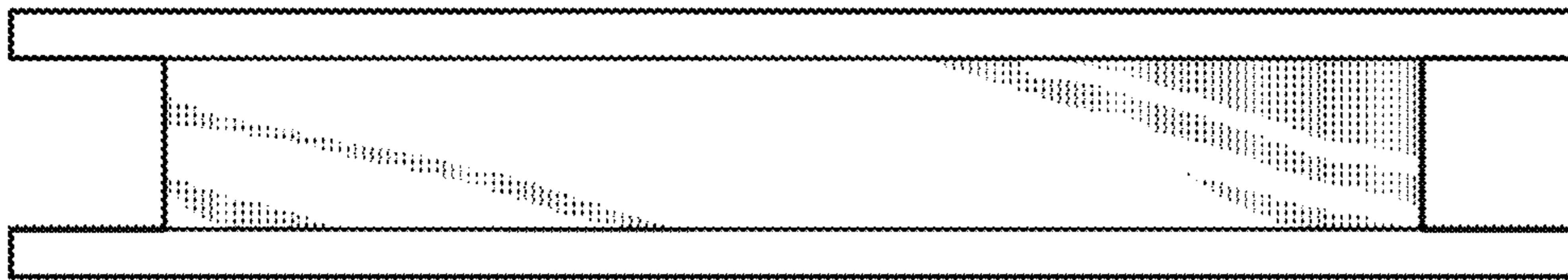


FIG.5

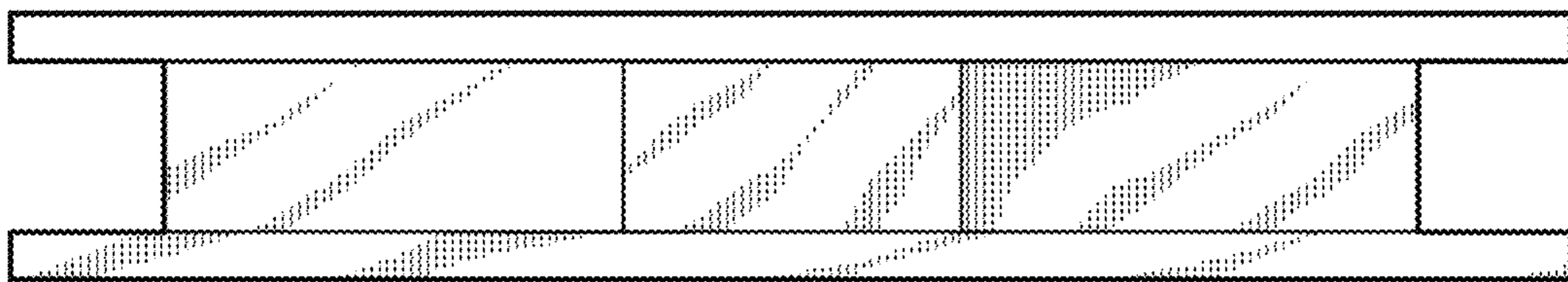


FIG.6

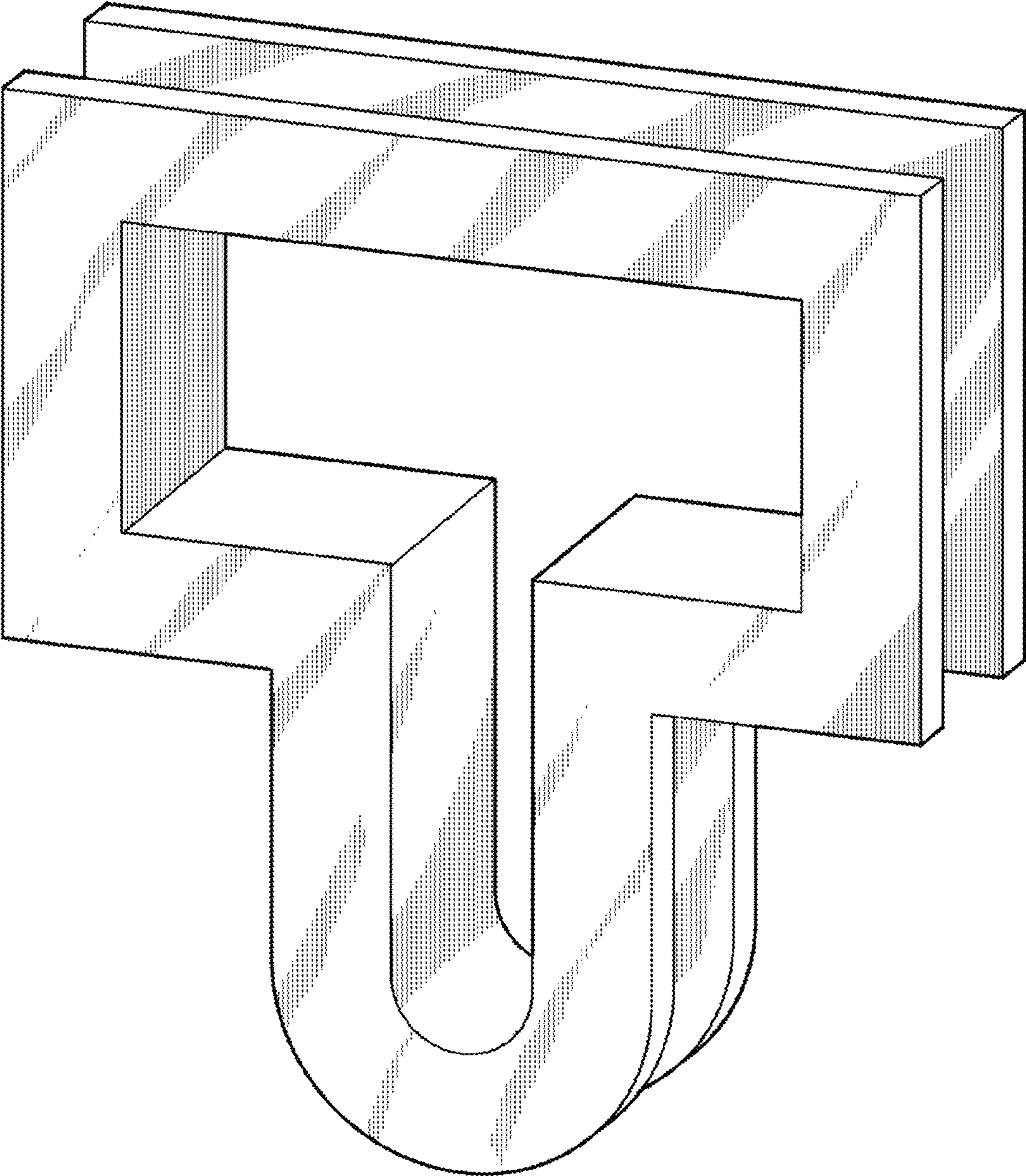


FIG.7