



US00D722528S

(12) **United States Design Patent**
de Sade

(10) **Patent No.:** **US D722,528 S**

(45) **Date of Patent:** **** Feb. 17, 2015**

(54) **CLASP RETAINER**

(71) Applicant: **Cartier Creation Studio S.A.**, Geneva
(CH)

(72) Inventor: **Donatien de Sade**, Paris (FR)

(73) Assignee: **Cartier Creation Studio S.A.** (CH)

(**) Term: **14 Years**

(21) Appl. No.: **29/481,169**

(22) Filed: **Feb. 3, 2014**

(30) **Foreign Application Priority Data**

Aug. 2, 2013 (EM) 002286336

(51) **LOC (10) Cl.** **02-07**

(52) **U.S. Cl.**
USPC **D11/200**

(58) **Field of Classification Search**
CPC A44B 11/26
USPC D11/1-2, 200-201, 206-210, 214-218;
24/163 R, 169-171, 173, 177-179, 191,
24/194-195, 197, 200, 614-616, 625,
24/198; D8/349

See application file for complete search history.

(56) **References Cited**

U.S. PATENT DOCUMENTS

D134,936 S *	2/1943	Huff	D11/214
D211,314 S *	6/1968	Beach	D11/218
4,499,634 A *	2/1985	Zimmardi	24/116 A
D363,049 S *	10/1995	Murai	D11/218
D369,091 S *	4/1996	Cooper	D8/349
D398,881 S *	9/1998	France-Davis	D11/210
D476,263 S *	6/2003	Walters	D11/200
D651,503 S *	1/2012	Ellis	D8/349
D684,032 S *	6/2013	Randle	D8/349

* cited by examiner

Primary Examiner — Ralf Seifert

(74) *Attorney, Agent, or Firm* — Cantor Colburn LLP

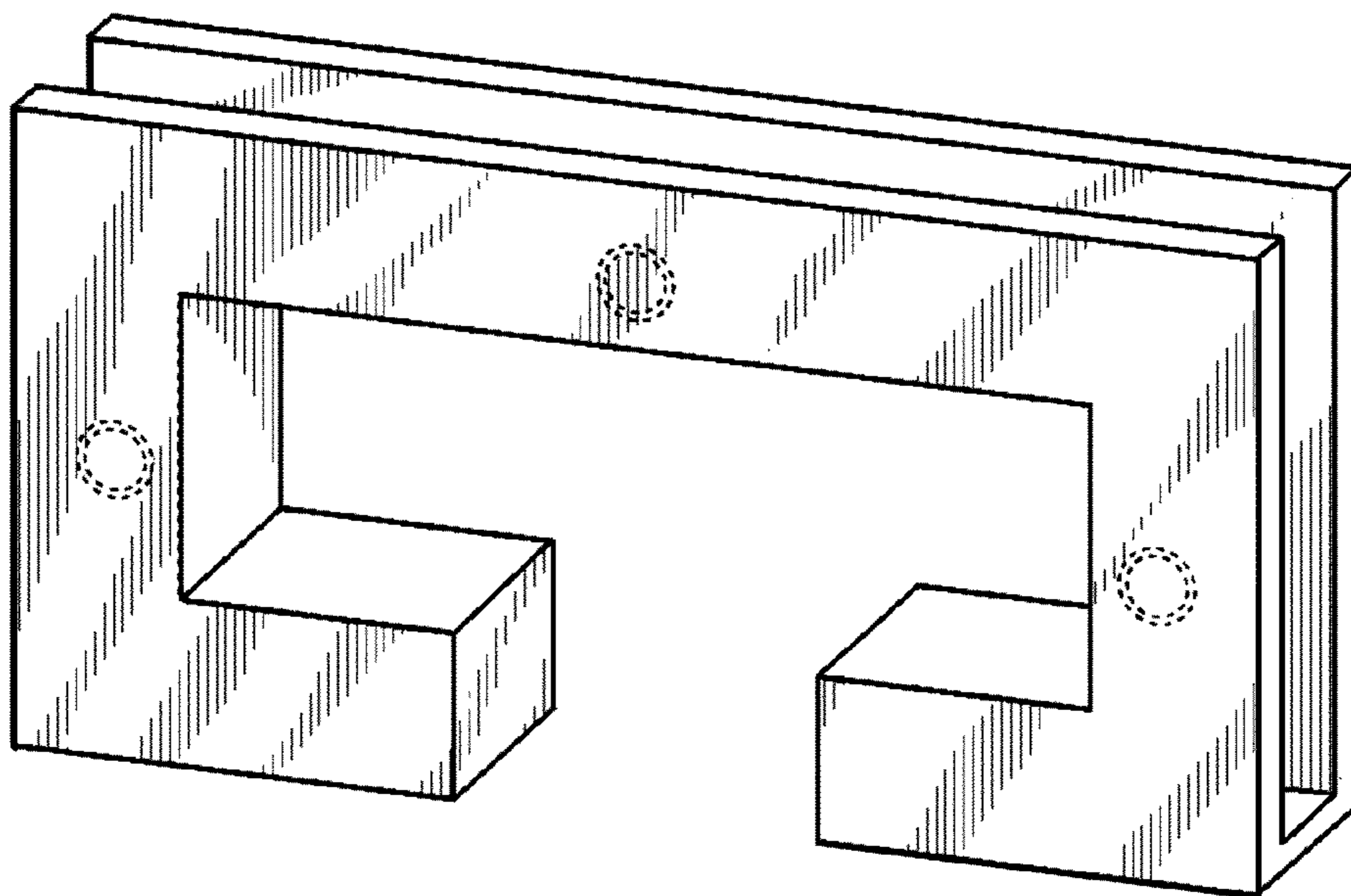
(57) **CLAIM**

I claim, the ornamental design for a clasp retainer, as shown and described.

DESCRIPTION

FIG. 1 is a front elevation view of a clasp retainer, showing my new design;
FIG. 2 is a rear elevation view thereof;
FIG. 3 is a side elevation view thereof;
FIG. 4 is an opposite side elevation view thereof;
FIG. 5 is a top plan view thereof;
FIG. 6 is a bottom plan view thereof; and,
FIG. 7 is a perspective view thereof.
Portions in broken lines show environment and form no part of the claimed design.

1 Claim, 7 Drawing Sheets



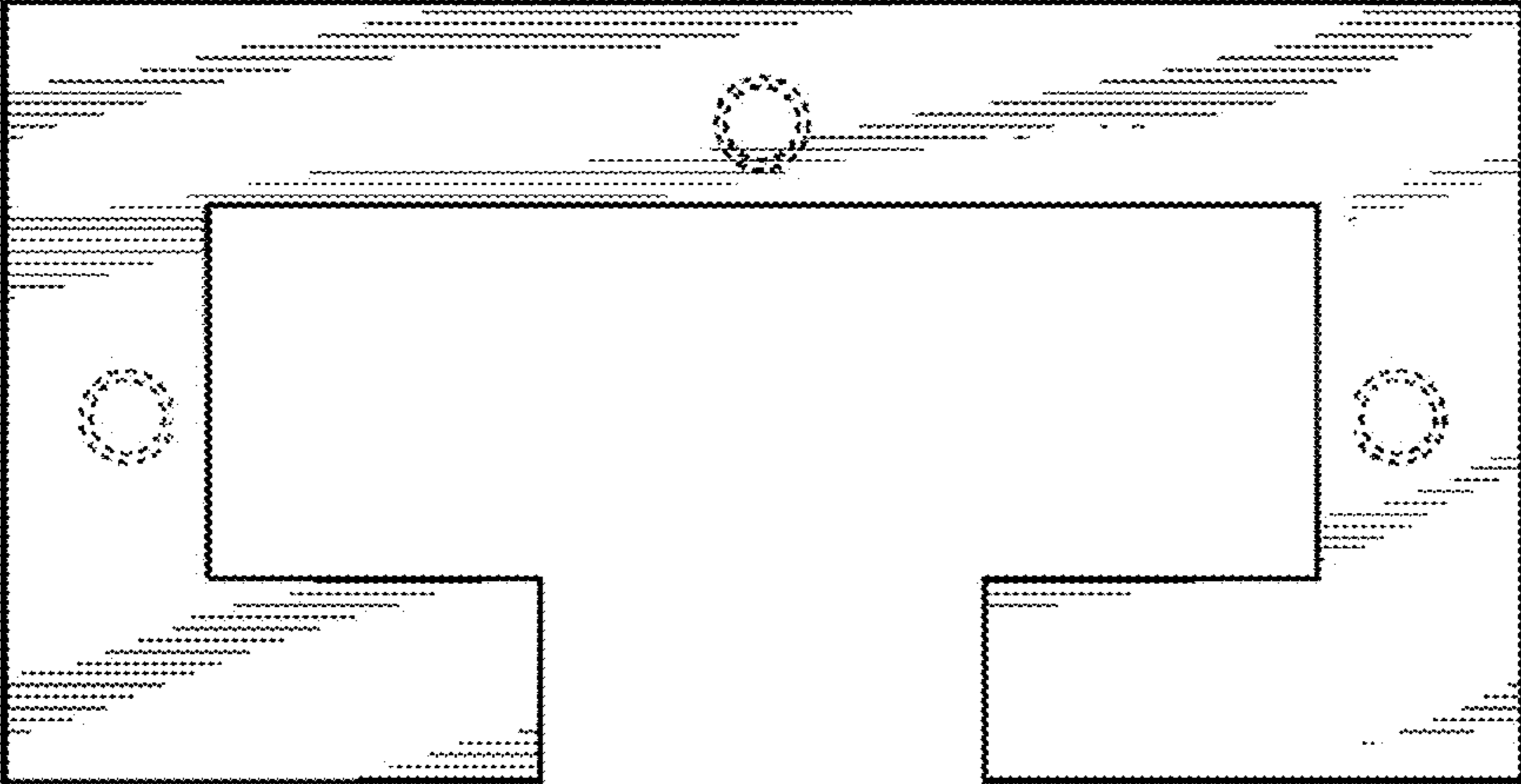


FIG. 1

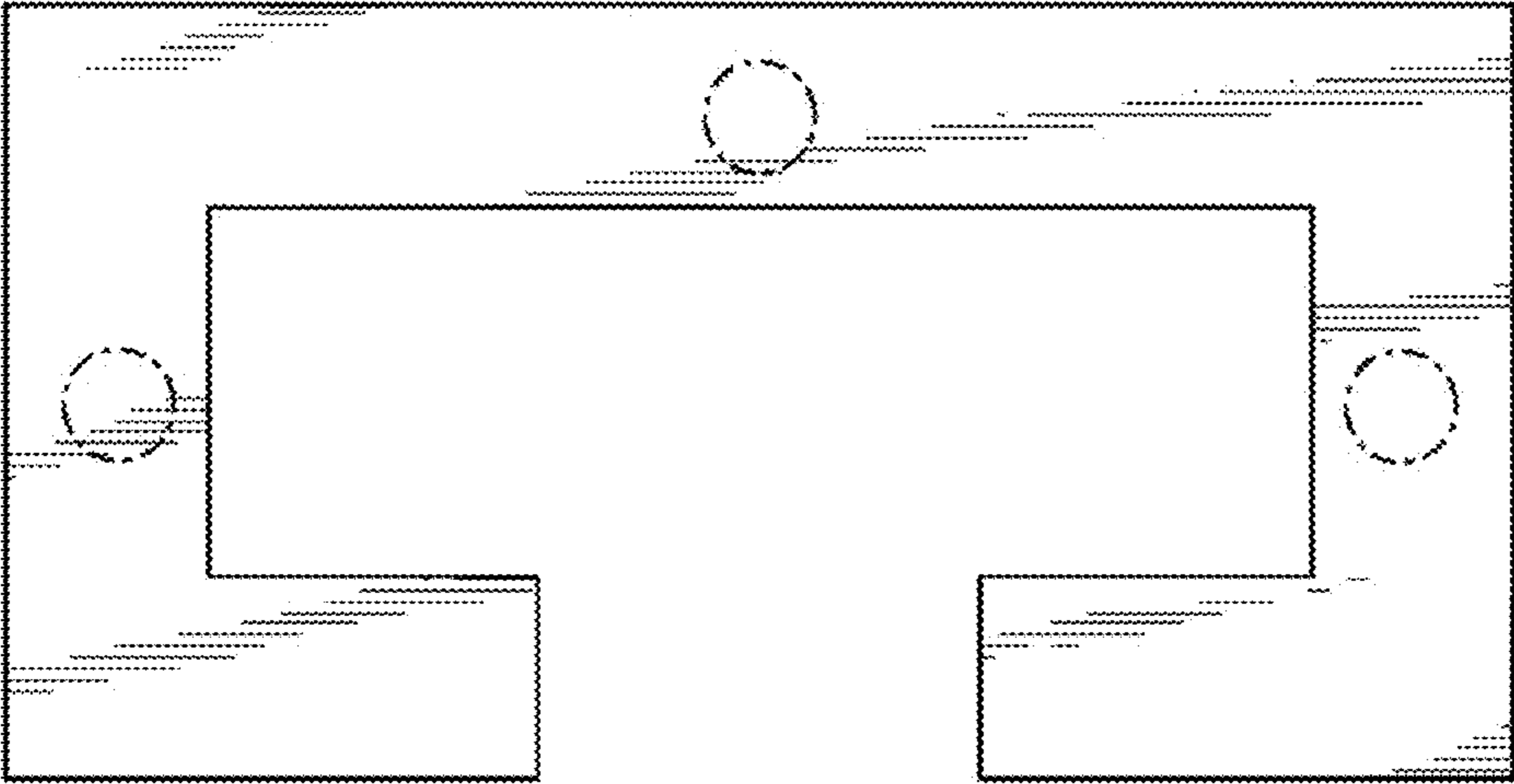


FIG.2

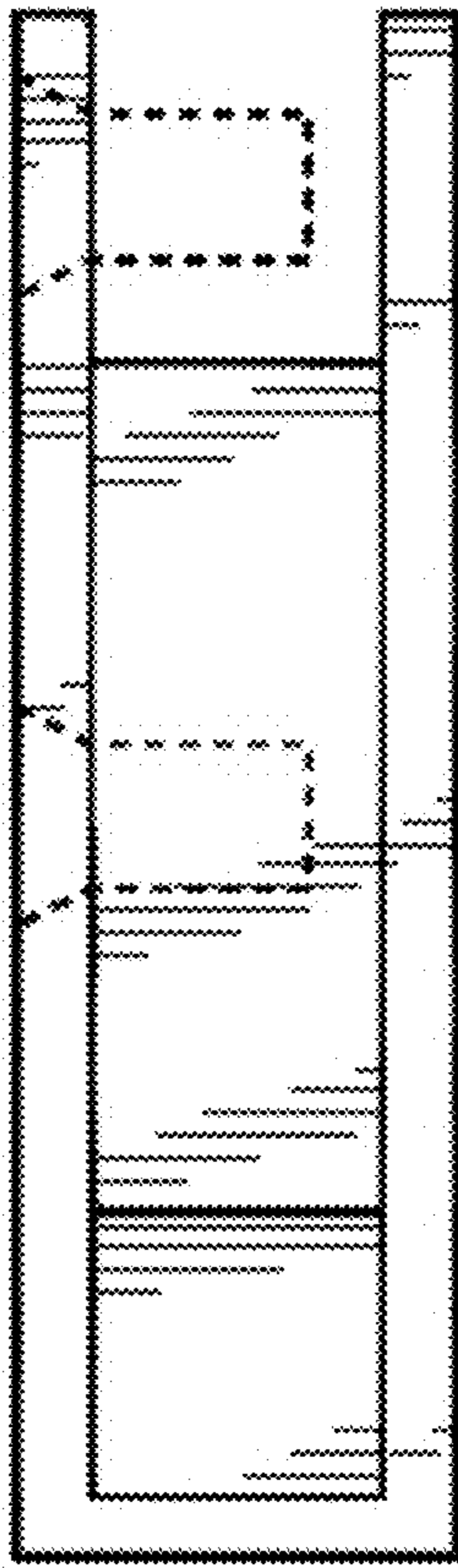


FIG. 3

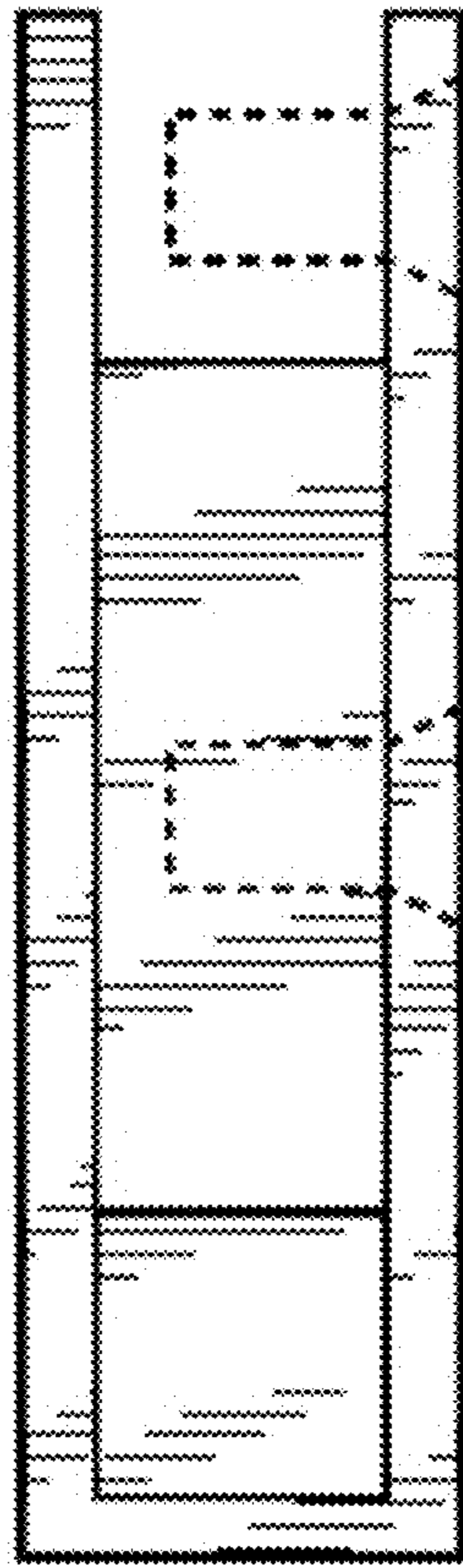


FIG.4

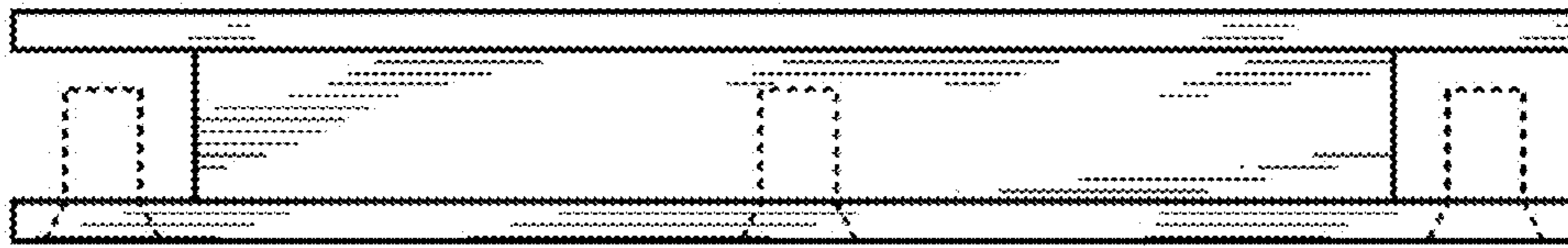


FIG.5

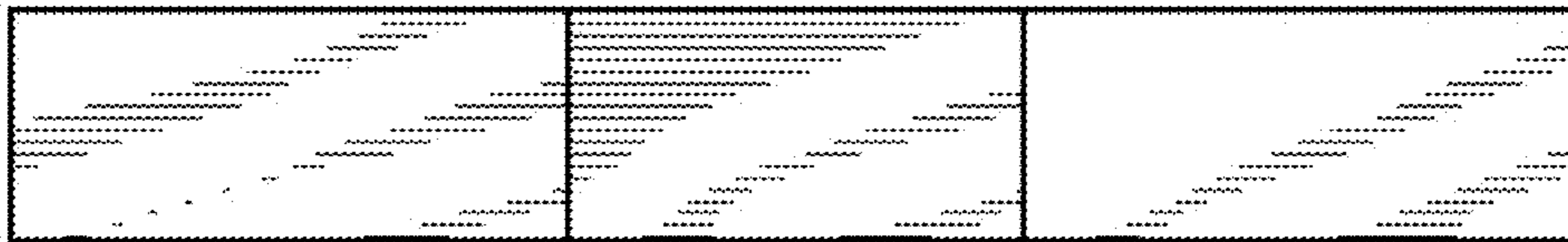


FIG.6

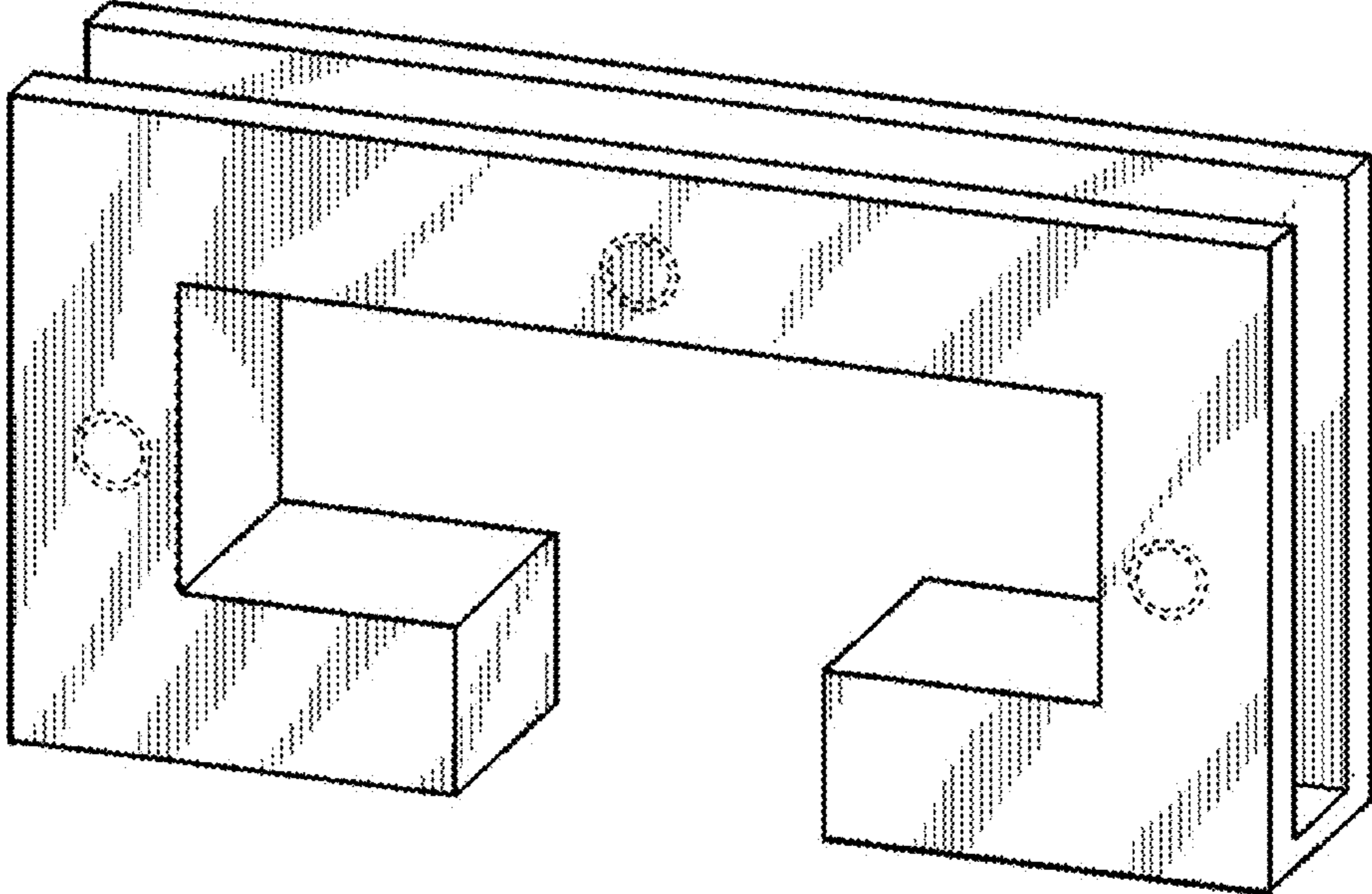


FIG.7